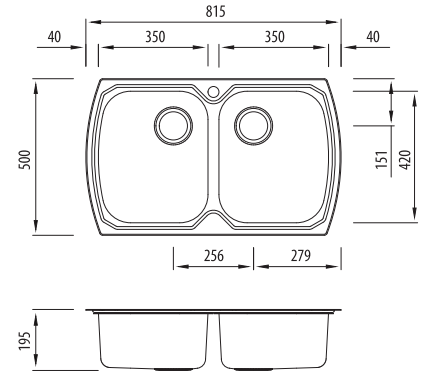


Monet

MO763 NZ 1TH OF
Double Bowl Topmount Sink



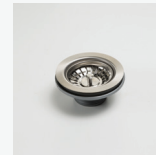
All dimensions in mm



Specifications /

Sink size	815W x 500H mm
Bowl size	Main Bowl 350W x 420H x 180D / 24L Main Bowl 350W x 420H x 180D / 24L
Construction	2 piece, bowls and rim seam welded
Material	304 grade, 18/10 polished stainless steel (0.8 mm thick)
Installation	Topmount
Fixings	Adjustable clips and sealing foam supplied
Min cabinet size	800 mm
Tap holes	1 tap hole
Waste fittings	2 x 90 mm basket waste included
Overflow	Included
Carton size	878 x 575 x 226 mm
Weight	7 kg
Warranty	Lifetime manufacturer's warranty (refer to oliveri.co.nz)
Maintenance and care instructions	All surfaces should be cleaned with mild liquid detergent or soap and water. To maintain the shine on your Oliveri stainless steel sink, we recommended the use of any of the easy to obtain, non-abrasive stainless steel cleaners or metal polishes.

Included accessories /



AC05
Basket Waste Kit
for Overflow



AC09
Basket Waste



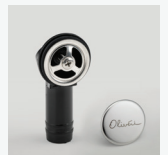
AC74
Bamboo Board



AC7220
Colander



AC7320
Utility Tray



Overflow
Round with Cover