

# Project Sink

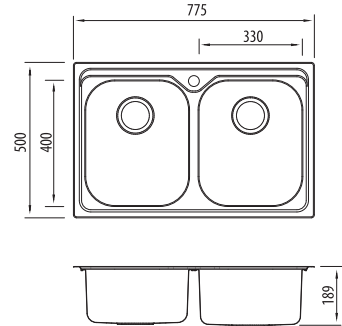
PS23TU NZ 1TH OF

Double Bowl Topmount Or Undermount Sink



MINIMUM  
ORDER  
QUANTITIES  
APPLY

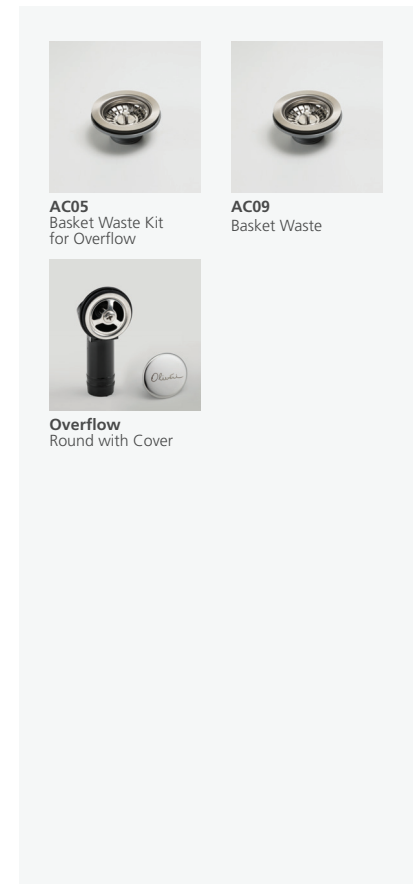
All dimensions in mm



## Specifications /

<b>Sink size</b>	775W x 500H mm
<b>Bowl size</b>	Main Bowl 330W x 400H x 180D / 21L Main Bowl 330W x 400H x 180D / 21L
<b>Construction</b>	2 piece, bowls and rim seam welded
<b>Material</b>	304 grade, 18/10 polished stainless steel (0.8 mm thick)
<b>Installation</b>	Topmount or undermount
<b>Fixings</b>	Topmount clips supplied
<b>Min cabinet size</b>	800 mm
<b>Tap holes</b>	1 tap hole
<b>Waste fittings</b>	2 x 90 mm basket wastes included
<b>Overflow</b>	Included
<b>Carton size</b>	830 x 540 x 240 mm
<b>Weight</b>	9 kg
<b>Warranty</b>	Lifetime manufacturer's warranty (refer to oliveri.co.nz)
<b>Maintenance and care instructions</b>	All surfaces should be cleaned with mild liquid detergent or soap and water. To maintain the shine on your Oliveri stainless steel sink, we recommended the use of any of the easy to obtain, non-abrasive stainless steel cleaners or metal polishes.

## Included accessories /



**AC05**  
Basket Waste Kit  
for Overflow

**AC09**  
Basket Waste

**Overflow**  
Round with Cover