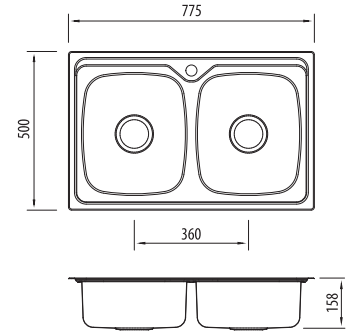


# Endeavour

EE23TU NZ 1TH OF  
Double Bowl Universal Sink



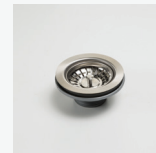
All dimensions in mm



## Specifications /

<b>Sink size</b>	775W x 500H mm
<b>Bowl size</b>	Main Bowl 330W x 385H x 155D / 17L Main Bowl 330W x 385H x 155D / 17L
<b>Construction</b>	2 piece, bowls and drainer seam welded
<b>Material</b>	304 grade, 18/10 polished stainless steel (0.8 mm thick)
<b>Installation</b>	Topmount or undermount
<b>Fixings</b>	Topmount clips provided
<b>Min cabinet size</b>	800 mm
<b>Tap holes</b>	1 tap hole
<b>Waste fittings</b>	2 x 90 mm basket wastes included
<b>Overflow</b>	Included
<b>Carton size</b>	878 x 575 x 226 mm
<b>Weight</b>	7 kg
<b>Warranty</b>	Lifetime manufacturer's warranty (refer to <a href="http://oliveri.co.nz">oliveri.co.nz</a> )
<b>Maintenance and care instructions</b>	All surfaces should be cleaned with mild liquid detergent or soap and water. To maintain the shine on your Oliveri stainless steel sink, we recommended the use of any of the easy to obtain, non-abrasive stainless steel cleaners or metal polishes.

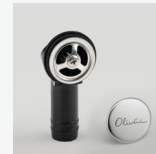
## Included accessories /



**AC05**  
Basket Waste Kit for Overflow



**AC09**  
Basket Waste



**Overflow**  
Round with Cover