

Project Sink

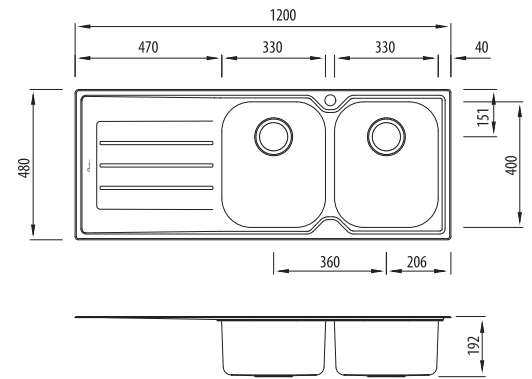
PS172 NZ 1TH OF

Double Bowl Topmount Sink With Drainer



MINIMUM
ORDER
QUANTITIES
APPLY

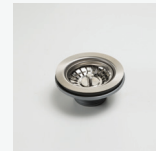
All dimensions in mm



Specifications /

Sink size	1200W x 480H mm
Bowl size	Main Bowl 330W x 400H x 180D / 21L Main Bowl 330W x 400H x 180D / 21L
Construction	2 piece, bowls and drainer seam welded
Material	304 grade, 18/10 polished stainless steel (0.8 mm thick)
Installation	Topmount recommended
Fixings	Adjustable clips and sealing foam supplied
Min cabinet size	800 mm
Tap holes	1 tap hole
Waste fittings	2 x 90 mm basket wastes included
Overflow	Included
Carton size	1210 x 490 x 200 mm
Weight	8.5 kg
Warranty	Lifetime manufacturer's warranty (refer to oliveri.co.nz)
Maintenance and care instructions	All surfaces should be cleaned with mild liquid detergent or soap and water. To maintain the shine on your Oliveri stainless steel sink, we recommended the use of any of the easy to obtain, non-abrasive stainless steel cleaners or metal polishes.

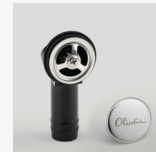
Included accessories /



AC05
Basket Waste Kit
for Overflow



AC09
Basket Waste



Overflow
Round with Cover