

# Santorini

Italian made

All dimensions in mm

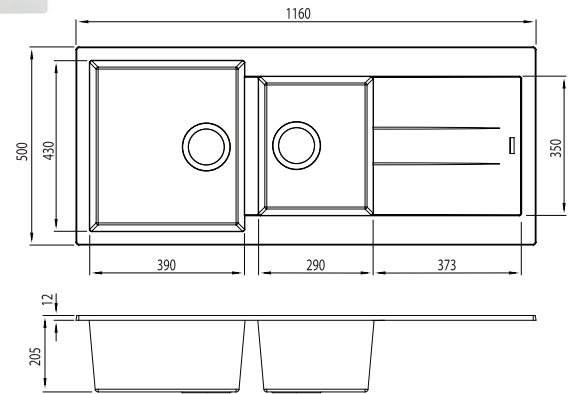
## ST-WH1510 NZ OF

White 1 & 3/4 Bowl Topmount Sink With Drainer



### REVERSIBLE SINK

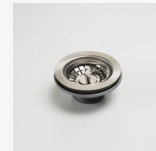
Your installer will drill the tap hole depending on which side you require your sink's bowl(s) and drainer.



### Specifications /

<b>Sink size</b>	1160W x 500H mm
<b>Bowl size</b>	Main Bowl 1 400W x 430H x 210D / 36L 3/4 Bowl 295W x 350H x 210D / 21L
<b>Construction</b>	Moulded granite
<b>Material</b>	80% granite and quartz particles and 20% acrylic
<b>Installation</b>	Topmount
<b>Fixings</b>	Topmount seal and clips supplied
<b>Min cabinet size</b>	800 mm
<b>Tap holes</b>	Installer to complete semi-drilled tap hole for LH or RH bowl
<b>Waste fittings</b>	2 x 90 mm basket wastes included
<b>Overflow</b>	Included
<b>Carton size</b>	1260 x 290 x 320 mm
<b>Weight</b>	19 kg
<b>Warranty</b>	Lifetime manufacturer's warranty (refer to <a href="http://oliveri.co.nz">oliveri.co.nz</a> )
<b>Maintenance and care instructions</b>	Clean the sink regularly with warm water, a liquid detergent and a soft cloth. Do not use abrasive powders or creams and avoid chemically aggressive detergents. Generic stains should be removed immediately with very hot water and a cleaning product. For organic stains which are especially difficult to remove, it is recommended that you fill the sink with a highly diluted organic cleaner such as bleach and let stand overnight. The next morning, rinse with warm water and a soft cloth.

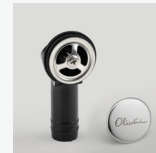
### Included accessories /



**NZ Basket Waste Overflow**



**NZ Basket Waste**



**Overflow Round with Cover**