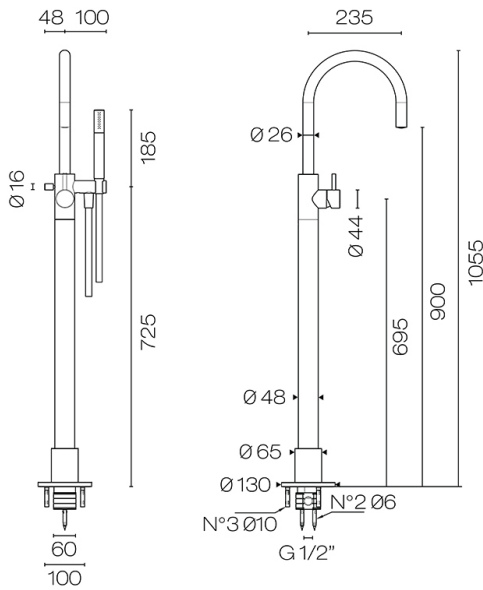


Buddy Round Floor Mount Bath Filler With Handshower

Code: CB077



Brand	Progetto
Designer	Plumblin
Origin	Italy
Material	Brass
Type	Bath Spouts and Mixers
Installation	Floor mount
Spout Reach (mm)	225
Height (mm)	1055
Backflow Preventer	Yes
Warranty	15 Years
Cartridge	B003.001 (35A)
Material	Brass
Organic Finish	Yes
Approx Lead Time	4-8 weeks may apply for some finishes. Please enquire for accurate leadtime.
Notes	Suitable for basin or bath (2 aerators supplied). Swivel spout.

Scan to View
Product Online



Buddy Round Floor Mount Bath Filler With Handshower

Code: CB077

Building Product Information Requirements (BPIR)

Manufacturer	Plumblin
Building Code Clauses	G12 (Water Supply) Performance Clause G12.2.1 / B2 (Durability) B2.3.1 (c)
Compliance Evidence	This product complies with the clauses B2.3.1 (c) and G12.2.1. The product has an in-service history of 6+ years and has industry-leading performance qualities. Compliance is as per verification method B2/VM1. The cartridge has ISO 9001 & ASNZS 4020: 2018 certifications.
Condition of Use	For use in residential and commercial applications. Must be installed by a registered plumber or suitably qualified tradesperson and as per the installation instructions.
Version no.	1.0
Subject to a Warning	No

Scan to View
Product Online

