

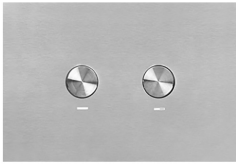
S10 PNEUMATIC CONVERSION KIT

SPS100PK

NOTE TO INSTALLER

When installing an Oli Flush Flush Panel with an S10 Inwall Cistern, the cistern must be converted from a mechanical to a pneumatic flush using this conversion kit.

Note - The Oli Flush Panel is only compatible with the S10 Cistern.



+



OR



SCAN FOR INSTALLATION
VIDEO...

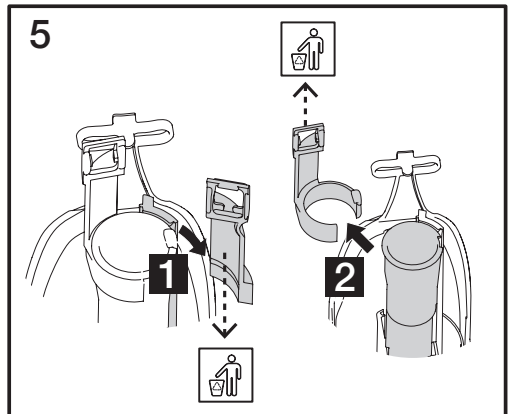
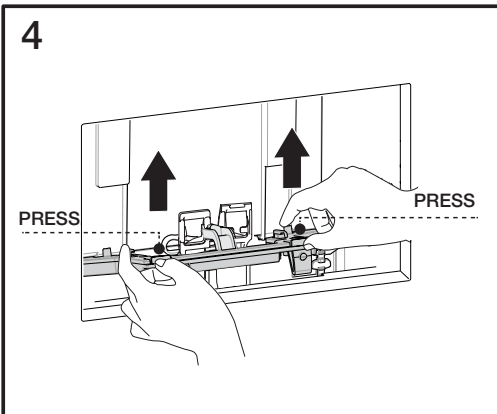
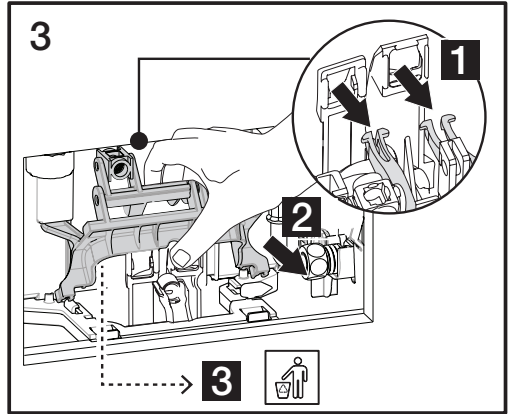
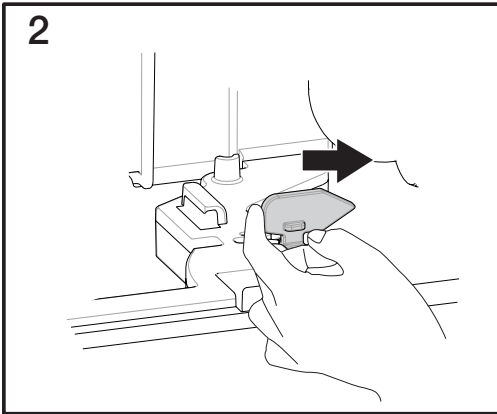
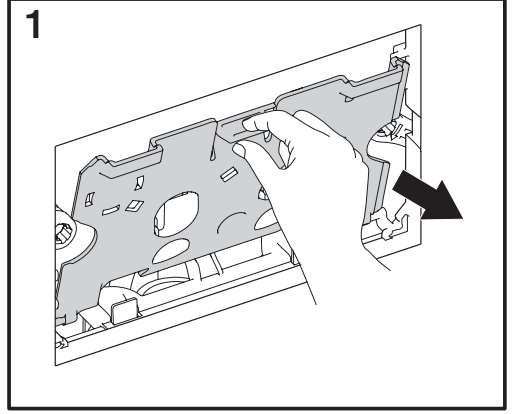
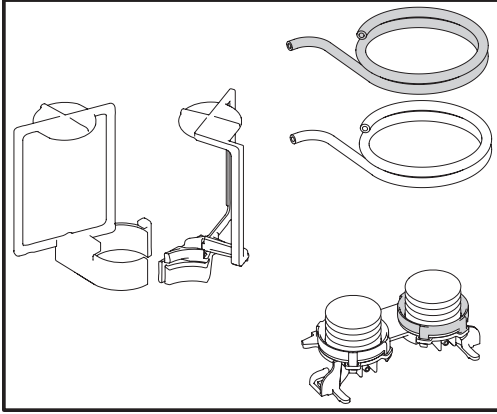


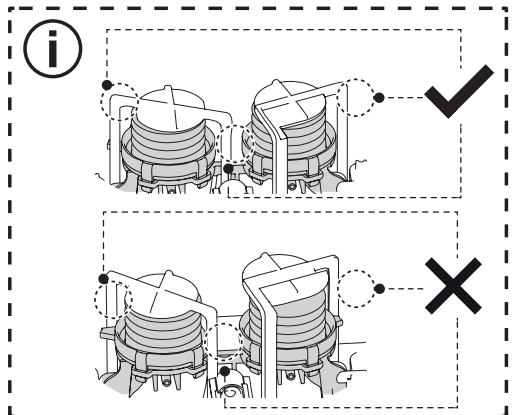
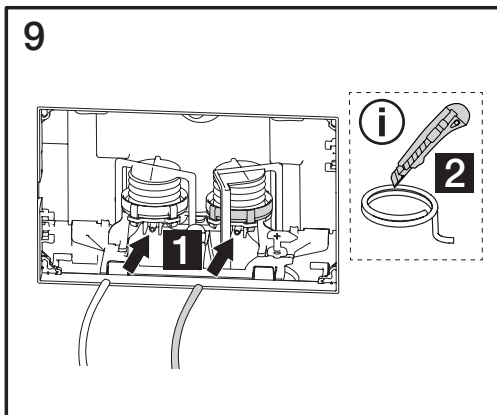
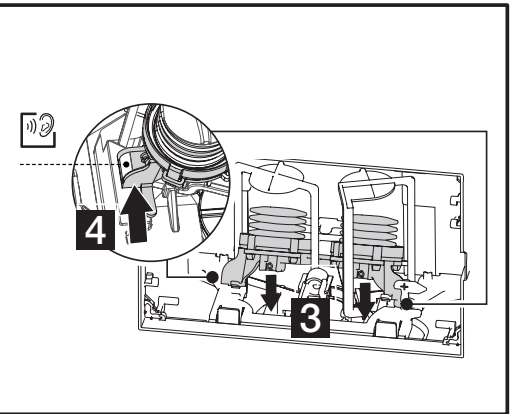
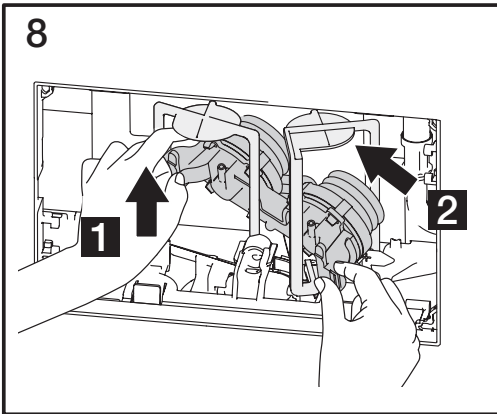
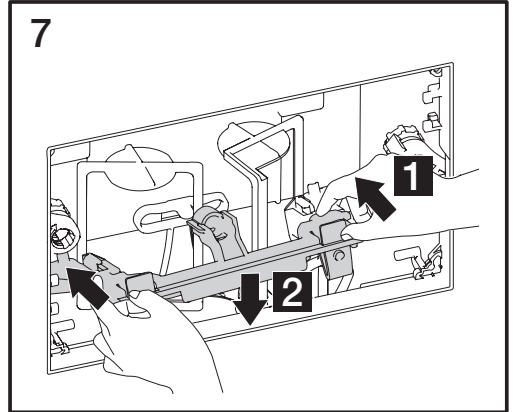
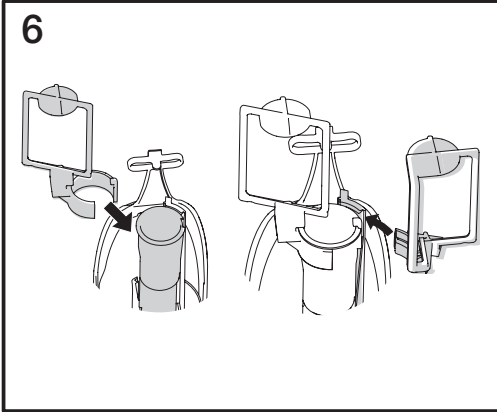
OR READ THE FOLLOWING
PAGES FOR INSTRUCTIONS

Distributed by:

Plumblīne

T 04 568 9898 E sales@plumblīne.co.nz
www.plumblīne.co.nz





Distributed by:

Plumbline

T 04 568 9898 E sales@plumbline.co.nz
www.plumbline.co.nz