

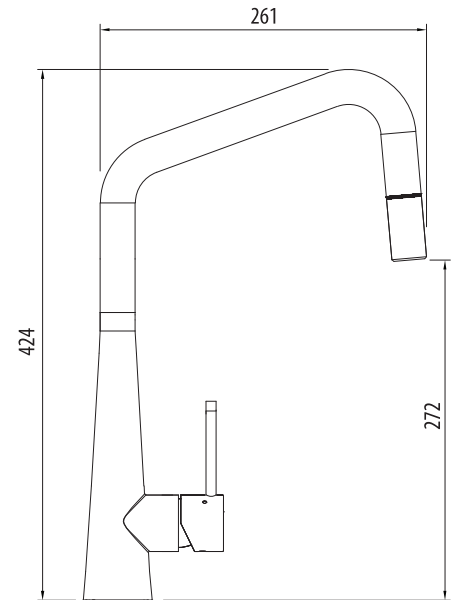
Essente

SS2575-AU

Brushed Gold Square Goose Neck Pull Out Mixer

PREMIUM
304 GRADE
STAINLESS
STEEL

All dimensions in mm



Specifications /

WELs rating	4 Stars, 7.5L per minute
Temperature rating (min / max)	1°C - 65°C
Pressure rating (min / max)	150 kPa - 500 kPa
Finish	Brushed gold (PVD)
Materials	304 Grade stainless steel body
Cartridge size	35 mm
Cartridge type	Ceramic disc cartridge
Carton size	735 x 325 x 75 mm
Product weight	4 kg
Mixer height	424 mm
Water supply	Mains
Warranty	10 years (refer to oliveri.co.nz for details)
Maintenance and care instructions	All surfaces should be cleaned with mild liquid detergent or soap and water. Do not use cream cleaners or citrus based cleaning products, as they are abrasive. Use of unsuitable cleaning agents may damage the surface. Any damage caused in this way will not be covered by warranty.