

SOL RAIN COLUMN

FEATURES & BENEFITS

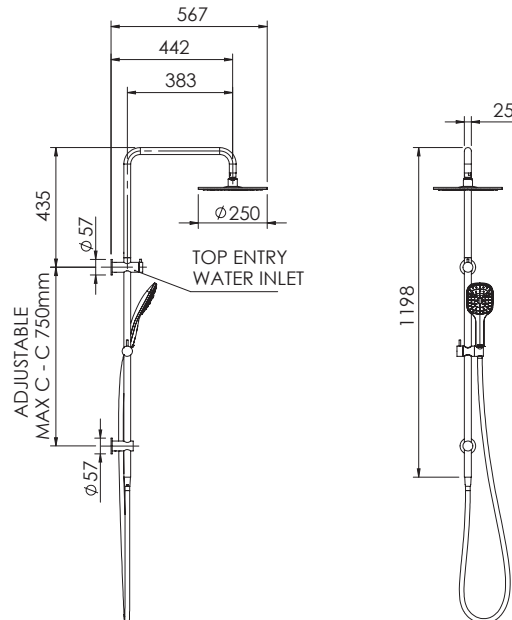
- Suitable for equal high (mains) pressure only
- Brass shower column with brackets
- Top entry G1/2 BSP inlet
- Built in diverter to switch between rain head and handpiece
- Concealed inlet from wingback - hose to handpiece only
- 1.5m small bore EN1113 rated hose
- Watermark certified



Chrome | ADS-SRSCC (7)743072



Brushed Nickel
ADS-SRSCBN (7)743088



EXCLUSIVE TO



FINISH	RAIN HEAD	HAND PIECE
CHROME	MP ★★ 10.0L/min	MP ★★ 9.5L/min
BRUSHED NICKEL	MP ★★ 10.0L/min	MP ★★★ 9.0L/min