

### **INSTALLER/USER PLEASE NOTE**

Read all installation instructions carefully before commencing installation. We reserve the right to change product specifications due to possible technical improvements.

#### **Warnings and precautions for use regarding the electrical connections.**

This product must be used indoors only. The electricity connection and possible subsequent electric interventions must only be done by a qualified electrician who will operate in accordance with current regulations in terms of electricity.

The appliance is not to be used by persons (including children) with reduced physical, sensory or mental capabilities, or lack of experience and knowledge, unless they have been given supervision or instruction.

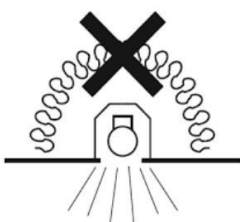
Children should be supervised so that they do not play with the appliance.

If the supply cord is damaged, it must be replaced by the manufacturer, its service agent or similarly qualified persons in order to avoid a hazard.

Means for disconnection that must be incorporated in the fixed wiring in accordance with AS/NZS wiring rules.

Mirror light on/off (No Sensor Switch)

Please be aware this mirror does not have a sensor switch or any switch located on the mirror, therefore the installer must wire the mirror to a switch elsewhere.



Appliance not suitable for being covered with thermal insulation material.



Appliance for indoor use only

# INSTALLATION INSTRUCTIONS

## GALAXY LED BACKLIT MIRRORS

1. Identify a position which does not fall into "Zone 1" as shown below.



Refers to the area above the bath or the shower, up to a height of 2.25 metres. The minimum rating required here is IPX5.



Converts an area of 0.6 metres wide immediately next to, and all around "Zone 1". Washbasins should also be treated as "Zone 2". The minimum rating required here is IPX4.

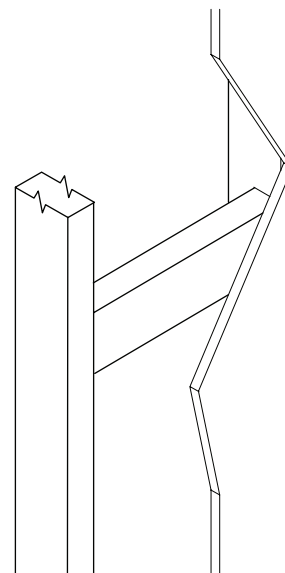


Has no special requirements, unless water jets are likely to be used for cleaning purposes.

2. Inwall wiring must be run to an accessible switch as the Galaxy Mirrors do not come with a built in switch.



3. Ensure there is sufficient framing behind the wall-lining in order to fix the mirror in place securely. Refer to the specification sheets on our website for details on where the fixings will sit.



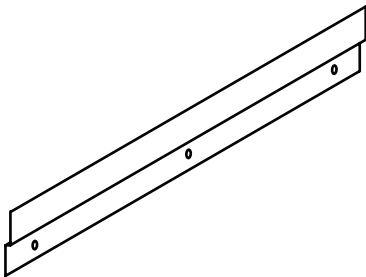
## GALAXY LED BACKLIT MIRRORS

### How are the Galaxy Mirrors are Fixed in Place?

The Galaxy Mirrors either come with a fixing bracket or keyhole cutouts in the framing of the mirror that the fixing screws slot into. To confirm the fixing for your particular Galaxy Mirror refer to the specification sheets on our website.

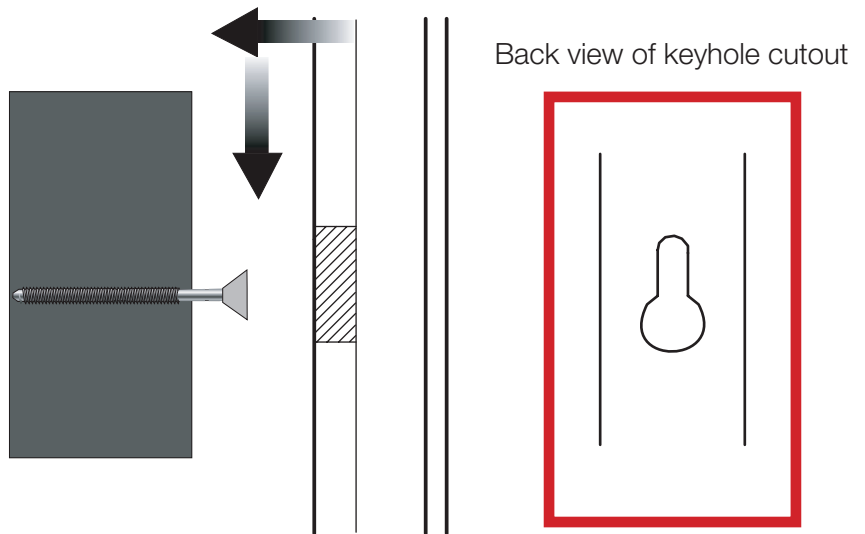
#### Fixing Bracket

This is an aluminium French Cleat style fixing bracket, which slots into the back of the mirror.

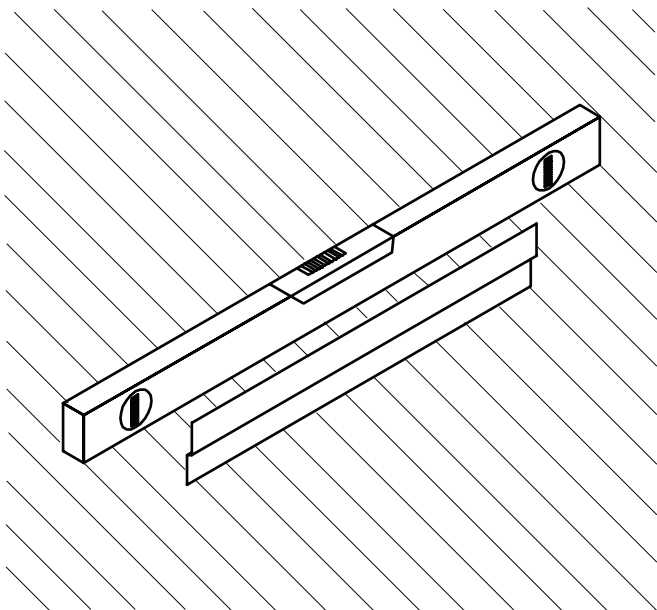


#### Fixing Cutouts

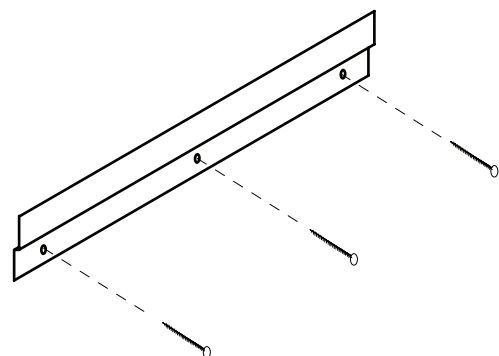
This will be either 2 or 4 keyhole cutouts in the back of the mirror that slot over screws protruding out the wall.



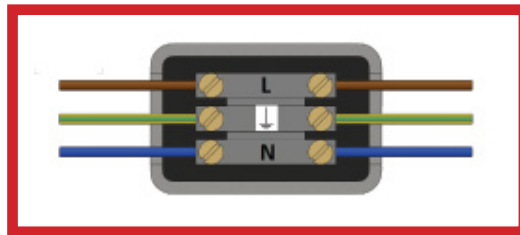
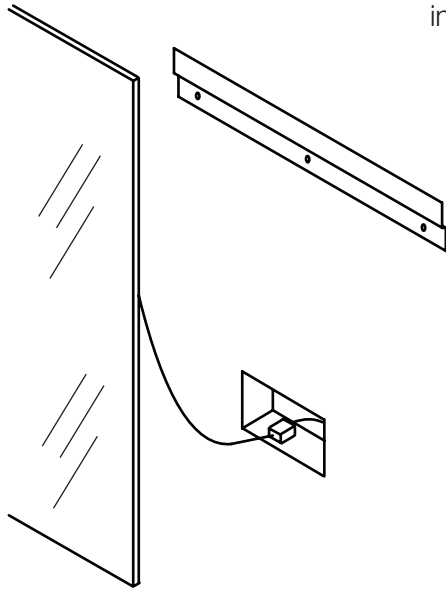
4. Mark out where the bracket or screws will sit and ensure that it is level.



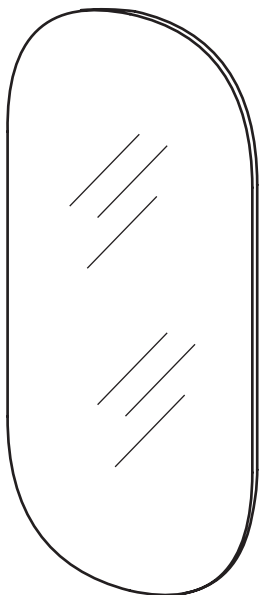
5. Using the supplied screws, fix the bracket in place. Or If the mirror has a keyhole fixing, ensure screws are protruding as per illustration above.



6. Connect the mirror wiring in an IP44 approved connector box (not included) which can be inserted into the wall anywhere behind the mirror.



7. Once the mirror has been wired up, slot the mirror into place.



### Demister Operating Instructions:

.The demisting function is ON only when the mirror is illuminated.

### Product Care:

.Do not use abrasives or solvents when cleaning the mirror.

.Clean off all the water as soon as possible using a soft, damp cloth to avoid stains on the surface.