

CLASSIC CARE
FOR REAL KIWIS
raymor



CARE CLASSIC RAILS

Raymor Care Classic is a range of high quality and reliable grab rails meant to care for the most vulnerable amongst us. Raymor Care offers dependable assistance our loved ones deserve.



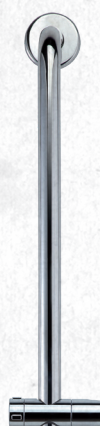
KNURLED GRAB RAILS

High polish stainless steel knurled non slip surface. 32mm easy grip diameter NZS 4121:2001 compliant. Concealed fittings can be fitted horizontally, vertically or on an incline.

Product code: (7)726221(300mm),
(7)726222 (450mm), (7)726224 (600mm)
(7)726225 (750mm)



Knurled grab rails are NZ standards compliant



KNURLED T-GRAB RAILS

High polish stainless steel knurled non slip surface. 32mm easy grip diameter NZS 4121:2001 compliant. Concealed fittings. Slide shower head holder.

Product code: (7)726226



T-grab rails are NZ standards compliant



LIFT UP GRAB RAIL

High polish stainless steel knurled non slip surface. 32mm easy grip diameter NZS 4121:2001 compliant.

Product code: (7)744527



Lift up grab rails are NZ standards compliant



Note: all rails load bearing strength is dependent on wall base structure strength.

KNURLED L-GRAB RAILS

High polish stainless steel knurled non slip surface. 32mm easy grip diameter NZS 4121:2001 compliant. Concealed fittings.

Product code: (7)726227



L-grab rails are NZ standards compliant





CARE CLASSIC SEATS

Raymor Care Classic is a range of high quality and reliable shower seats meant to care for the most vulnerable amongst us. Raymor Care offers dependable assistance our loved ones deserve.



ACCESSIBLE FOLD-UP SEAT

Stainless steel frame. Wall-mounted, fold down and fold up. 350kg load tested. NZS 4121:2001 compliant. Load bearing strength is dependent on wall base structure strength.

Product code: (7)726228



The Accessible Seat is NZ standards compliant



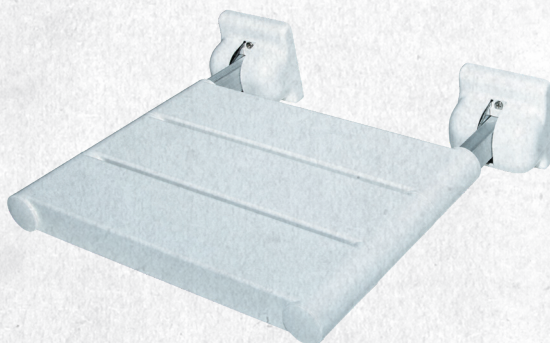
ADJUSTABLE SHOWER STOOL

Aluminium hand grips for strength. Height adjustable legs. Rubber foot grips.

Product code: (7)729132



The Adjustable Stool has a 5 year warranty



FOLD-UP SHOWER SEAT

ABS material. Compact fold-up shower seat. Strong hinges. Load bearing strength is dependent on wall base structure strength.

Product code: (7)726229



CARE CLASSIC TAPS

Raymor Care Classic is a range of high quality and reliable taps meant to care for the most vulnerable amongst us. Raymor Care offers dependable assistance our loved ones deserve.

BASIN MIXER 101

Chrome on brass mixer with extended care handle. Watermark certified.

Product code: (7)744530



BASIN MIXER 102

Chrome on brass mixer with extended care handle. Watermark certified.

Product code: (7)744532



SHOWER MIXER

Chrome on brass shower mixer with extended care handle. Watermark certified.

Product code: (7)744531





CARE CLASSIC TOILET

Raymor Care Classic is a range of high quality and reliable shower seats meant to care for the most vulnerable amongst us. Raymor Care offers dependable assistance our loved ones deserve.

Specifically for the care and ambulant market, our Raymor Care wall faced suite is designed to provide easy, convenient wheelchair access.

It's easy care and functional design features a quieter flushing ceramic rimless pan with timeless modern streamlined styling.

Product codes:

S Pan White (7)741121

P Pan White (7)741120

S Pan Extended White (7)741122



Raymor Care Toilet
is NZ standards
compliant

Raised Care flush button.

Product code: 848537





CARE CLASSIC ACCESSORIES

Raymor Care Classic is a range of high quality and reliable taps meant to care for the most vulnerable amongst us. Raymor Care offers dependable assistance our loved ones deserve.

TOILET ROLL HOLDER

Polished stainless steel toilet roll holder. 32mm diameter for retro fitting to 32mm grab rails.

Product code: (7)744526



TOILET BACK REST

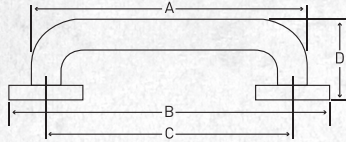
Polished stainless steel with padded back rest for care toilet suites.

Product code: (7)744528



CARE CLASSIC KNURLED GRAB RAILS

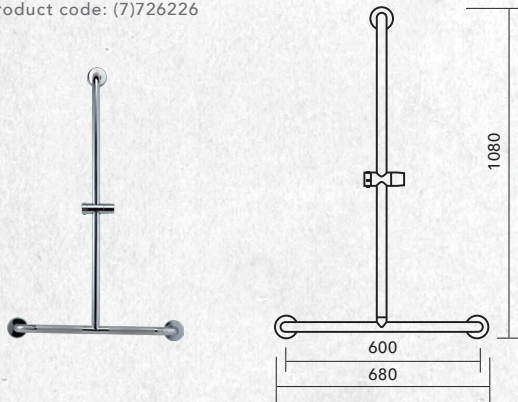
Product code: (7)726221(300mm), (7)726222 (450mm)
(7)726224 (600mm) (7)726225 (750mm)



Code	Size	A	B	C	D
(7)726221	300mm	332	379	300	85
(7)726222	450mm	482	525	450	85
(7)726224	600mm	620	675	600	85
(7)726225	750mm	782	829	750	85

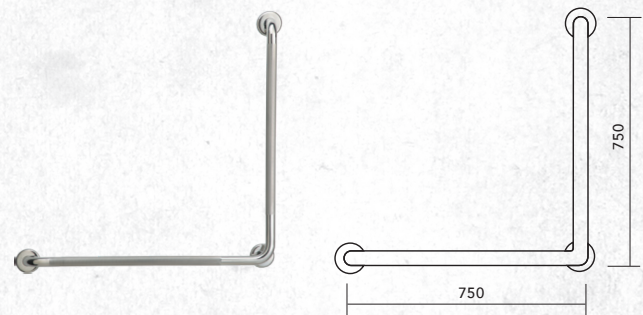
KNURLED T-GRAB RAILS

Product code: (7)726226



KNURLED L-GRAB RAILS

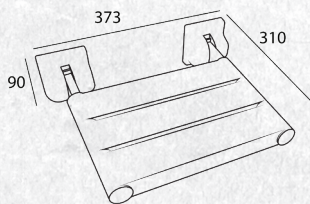
Product code: (7)726227



CARE CLASSIC BATHROOM SEATS

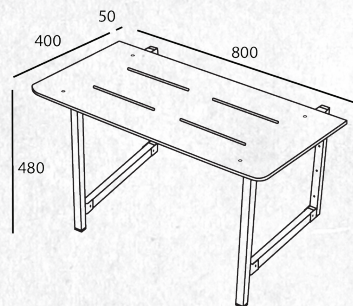
FOLD-UP SHOWER SEAT

Product code: (7)726229



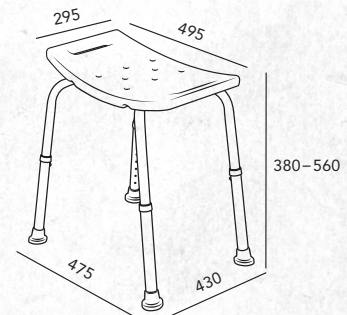
ACCESSIBLE FOLD-UP SEAT

Product code: (7)726228



ADJUSTABLE SHOWER STOOL

Product code: (7)729132

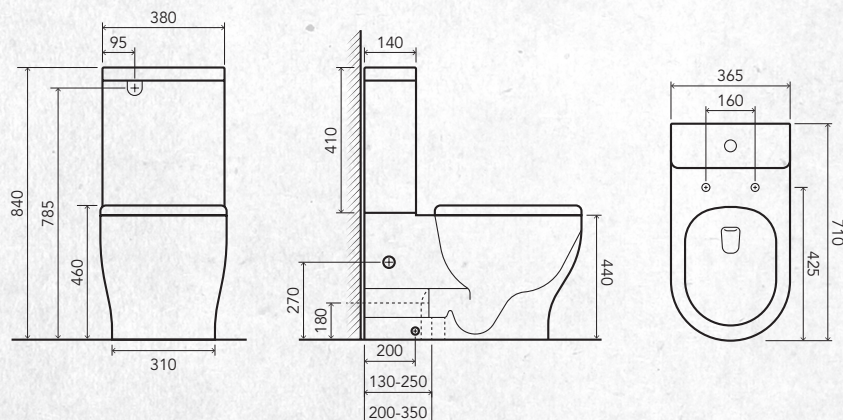


CARE CLASSIC TOILET SUITE

RAYMOR CARE TOILET

Product codes:

- S Pan White (7)741121
- P Pan White (7)741120
- S Pan Extended White (7)741122



CLASSIC CARE
FOR REAL KIWIS
raymor



www.placemakers.co.nz



www.mico.co.nz