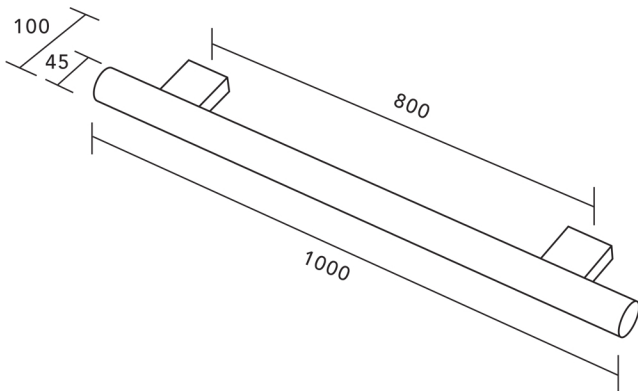


## HEIKO POLE

CODE: WHSPLV1000/WHSPV1000B/  
WHSPV1000N/WHSPV1000GM/WHSPV1000BN  
WHSPV1000MW/WHSPV1000BB



MEASUREMENTS SUBJECT TO MANUFACTURING TOLERANCE