

escea.

# Installation / Service Guide

**DX1000 / DX1500**  
Gas Fireplaces

**Important:**

The appliance shall be installed in accordance with;

- This installation instruction booklet
- Local gas fitting regulations
- Municipal building codes
- Electrical wiring regulations
- Any other relevant statutory regulations.
- AS/NZS 5601.1 Gas Installations

This appliance is not intended for use by young children or infirm persons unless they have been adequately supervised by a responsible person to ensure that they can use the appliance safely.

Young children should be supervised to ensure that they do not play with the appliance.

Manufactured by: Escea Ltd, PO Box 5277 Dunedin NZ, Ph: +64 3 478 8220.

For contact details of your local Escea distributor or dealer in New Zealand, please visit: [www.escea.com](http://www.escea.com), call NZ: 0800 17 3000, or email: [info@escea.com](mailto:info@escea.com).

From Australia, please visit [www.escea.com.au](http://www.escea.com.au), call AU: 1800 460 832 or WA: 1800 730 140, or email us at [info@escea.com](mailto:info@escea.com)

**WARNING:**

Failure to follow these instructions could cause a malfunction of this appliance, which could result in death, serious bodily injury, and/or property damage. Failure to follow these instructions may also void your fire insurance and/or warranty.

This appliance must not be modified.

**THIS APPLIANCE MUST BE FITTED WITH AN ESCEA REMOTE ROOM AIR FAN AND SUITABLE RETURN AIR VENTILATION**

**THIS APPLIANCE MUST BE FITTED WITH AN ESCEA REMOTE FLUE FAN**

**THE TERMINAL MUST ALWAYS VENT DIRECTLY OUTDOORS**

**Who can install this product:**

Installation must be carried out by a qualified and registered installer who, on completion of the installation, must issue a:

AUS: Certificate of Compliance

NZ: Energy Work Certificate

in accordance with national and/or local codes. If these are not issued then the Escea warranty may be void.

### **Warranty Repair and Annual Servicing:**

Please contact Escea if you require warranty work. Warranty repair work must be carried out by a recognised gas fire technician. It is recommended that recognised Escea Gas Fire Technicians are also used to carry out annual servicing requirements (particularly during the warranty period). For contact details of recognised Escea Gas Fire Technicians in your area, or for replacement parts, please contact the retailer from whom the appliance was purchased or visit our website.

### **General Installation Information:**

This appliance must be installed according to these instructions and in compliance with all relevant building, gas fitting, electrical and other statutory regulations (eg. AS/NZS 5601.1). Any shortcomings in the appliance and flue installation will be the responsibility of the installer, and Escea will not be accountable for any such failings or their consequences.

Once this appliance is installed it cannot be removed without disturbing the wall lining.

This DX Series fireplace has been dispatched from the factory set as a single sided version. This can be converted into a double sided appliance by using the Double Sided Conversion Kit available from your Escea distributor. Conversion details are shown in Section E.

An electrician is required to install a 3pin power socket – Section C.

## DX1000 PRODUCT SPECIFICATION

MODEL NAME		DX1000		
Description of Appliance		Gas Fire Heater		
Star Rating		4.8 Stars		
Max. Heat Output		8.4 kW		
A/NZ Approval No.		AS/NZS 5263.1.3:2016		
Gas Type		Natural	Propane	ULPG
Gas input	High	33 MJ/hr	33 MJ/hr	33 MJ/hr
Inlet Pressure	Max	5 kPa	5 kPa	5 kPa
	Min	1.13 kPa	2.75 kPa	2.75 kPa
Operating Pressure on High		0.82 kPa	2.32 kPa	2.32 kPa
Operating Pressure on Low		0.28 kPa	0.72 kPa	0.72 kPa
Burner Jet Size		Left and Right: 1.95mm	Left and Right: 1.1mm	Left and Right: 1.1mm
Burner Aeration		Left and Right: 3.5 mm	Left and Right: 11 mm	Left and Right: 11 mm
Pilot injector		#37	#37	#37
Appliance Dimensions (mm)	Width	1328 mm		
	Height	774 mm		
	Depth	382 mm		
Weight	Kg	100 kg		
Ignition System		Electronic Ignition to pilot system		
		Escea PCB		
Flame Safeguard		Flame Rectification		
Remote controls		Yes		
Timers		Yes		
Clock		Yes		
Function lock / child		Yes		
Temperature control		Yes		
Connections	Electric	230V AC		
	Gas	1/2" BSPP female lower centre of fireplace chassis		
	Flue Type	Aluminium Flexi Flue and PolyPro		
	Flue Size	75mm and 100mm Flexi Flue & PolyPro		
	Spigot Location	Right hand top		
Data badge location		On Chassis Base		

## DX1500 PRODUCT SPECIFICATION

MODEL NAME		DX1500		
Description of Appliance		Gas Fire Heater		
Star Rating		4.3 Stars		
Max. Heat Output		10.4 kW		
A/NZ Approval No.		AS/NZS 5263.1.3:2016		
Gas Type		Natural	Propane	ULPG
Gas input	High	42 MJ/hr	42 MJ/hr	42 MJ/hr
Inlet Pressure	Max	5 kPa	5 kPa	5 kPa
	Min	1.13 kPa	2.75 kPa	2.75 kPa
Operating Pressure on High		0.76 kPa	1.96 kPa	1.96 kPa
Operating Pressure on Low		0.28 kPa	0.96 kPa	0.96 kPa
Burner Jet Size		Left and Right: 2.3mm	Left and Right: 1.3mm	Left and Right: 1.3mm
Burner Aeration		Left and Right: 3.5 mm	Left and Right: 11 mm	Left and Right: 11 mm
Pilot injector		#37	#37	#37
Appliance Dimensions (mm)	Width	1828 mm		
	Height	774 mm		
	Depth	382 mm		
Weight	Kg	120 kg		
Ignition System		Electronic Ignition to pilot system		
		Escea PCB		
Flame Safeguard		Flame Rectification		
Remote controls		Yes		
Timers		Yes		
Clock		Yes		
Function lock / child		Yes		
Temperature control		Yes		
Connections	Electric	230V AC		
	Gas	1/2" BSPP female lower centre of fireplace chassis		
	Flue Type	Aluminium Flexi Flue and PolyPro		
	Flue Size	75mm and 100mm Flexi Flue & PolyPro		
	Spigot Location	Right hand top		
Data badge location		On Chassis Base		

<b>A</b>	<b>Installation Process and Product Description</b>	<b>8</b>
A1	Product Description	8
A2	Recommended Installation Process	8
A3	Product Dimensions	9
<b>B</b>	<b>Creating the Cavity</b>	<b>10</b>
B1	Cavity Shape	10
B2	Designing the Cavity	10
B3	Framing Dimensions	11
B4	Cavity Base	11
B5	Hearth	11
B6	Wall Linings	11
B7	Fascia	12
B8	Mantle Clearance	13
B9	Television Clearances	13
B10	Ducting	13
B11	Duct Fan Mounting	14
<b>C</b>	<b>Installing the Electricity and Gas to the Appliance</b>	<b>15</b>
C1	Power Supply	15
C2	Network Cable	15
C3	Gas Pipe Sizing	16
C4	Gas Pipe Position	16
C5	Gas Isolating Valve	16
<b>D</b>	<b>Installing the Flue</b>	<b>17</b>
D1	Flue Configuration (For less than 4m length)	17
D2	Flue Configuration (For more than 4m length)	18
D3	Installing the Horizontal Powerflue Wall Terminal Option	19
D4	Installing the Internal Vertical Powerflue (UVP)	22
D5	Installing the External Vertical Powerflue (UVP)	24
D6	Removing the Restrictor Plate	25
D7	Installing in Accordance with Relevant Codes	26
D8	Running the Flue	27
D9	Running the Powerflue Electrical Cable	28

<b>E</b>	<b>Installing the Appliance</b>	<b>29</b>
E1	Double Sided Conversion	29
E2	Installing the Appliance	30
E3	Connecting the Flue	30
E4	Connecting the Ducting	30
E5	Connecting the Network Cable	30
E6	Connecting the Powerflue and Duct Fan Cables	31
E7	Removing (and Replacing) the Glass	31
E8	Remove the Fuelbed Tray & Burners	32
E9	Gas Type Conversion	32
E10	Checking the Gas Operating Pressure	34
E11	Operating the Appliance	37
E12	Auxillary On/Off button	37
E13	Home Automation Setup	37
<b>F</b>	<b>Finishing the Installation</b>	<b>39</b>
F1	Crystalight or Coal Fuel Bed Installation	39
F2	Woodland Selection Fuel Bed	39
F3	Replace the Glass	40
F4	Wall Lining	40
F5	Fitting the Fascia Panels	41
F6	Locating Wall Mount Cradle for Wireless Control	42
F7	Operating the Appliance	42
F8	Normal Operating Sounds and Smells	44
<b>G</b>	<b>Installation Checklist</b>	<b>45</b>
<b>S</b>	<b>Service Manual</b>	<b>46</b>
S1	Annual service procedure	46
S2	Error Codes	47
S3	Cleaning the Fuel bed, Fascia, and Glass	49
S4	Checking Operating Pressure	50
S5	Replacing a Remote Control	51
S6	Replacing the Burners	52
S7	Accessing the Control Tray	53
S8	Removing the Circuit Board	53
S9	Servicing the Horizontal/Universal Vertical Powerflue	55
S10	Wiring Diagram	56

# A Installation Process and Product Description

## A1 Product Description

The Escea DX1500 / DX1000 gas fire is a direct vent (fan draught balanced flue), room sealed gas appliance designed to be built into a cavity. This appliance is flued using a co-linear flexible aluminium flue connected to a powerflue terminal.

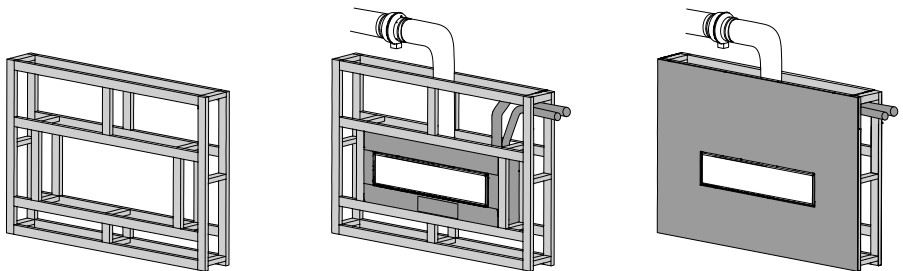
The hot air from the gas fire is transferred to the room via 250mm ID / 300 mm OD ducting. The user will control their fire with the Radio Frequency (RF) remote that will normally be left in its wall mount cradle. In addition to the RF remote it has a single auxiliary On/Off button on the unit. When not in operation it is in a standby mode unless it is physically isolated from the mains supply.

To access the product Dataplate, first remove the fireplace glass, any fuelbed media, the burners, and the firebox base. An access panel is located to the side of the bottom of the firebox; the dataplate is located underneath this access panel.

## A2 Recommended Installation Process

The following diagram illustrates the steps required to install your gas fire, and the trades required at each stage.

The sequence in which you choose to do these tasks will vary depending on your individual installation. Please read these instructions carefully before proceeding with the installation. Leave the installation of the optional fascia panels until the very end of the installation and commissioning to avoid damage to the fascia panels.



**Create the Cavity**

**Install electrical / gas connections, flue system, and fireplace**

**Finish installation and fit fascia**

Section B

Section C, D

Section F

**Important: Installations that are not specifically outlined in this manual should be referred to the Escea Architectural Advisory Team.**

**Please email [aa@escea.com](mailto:aa@escea.com)**

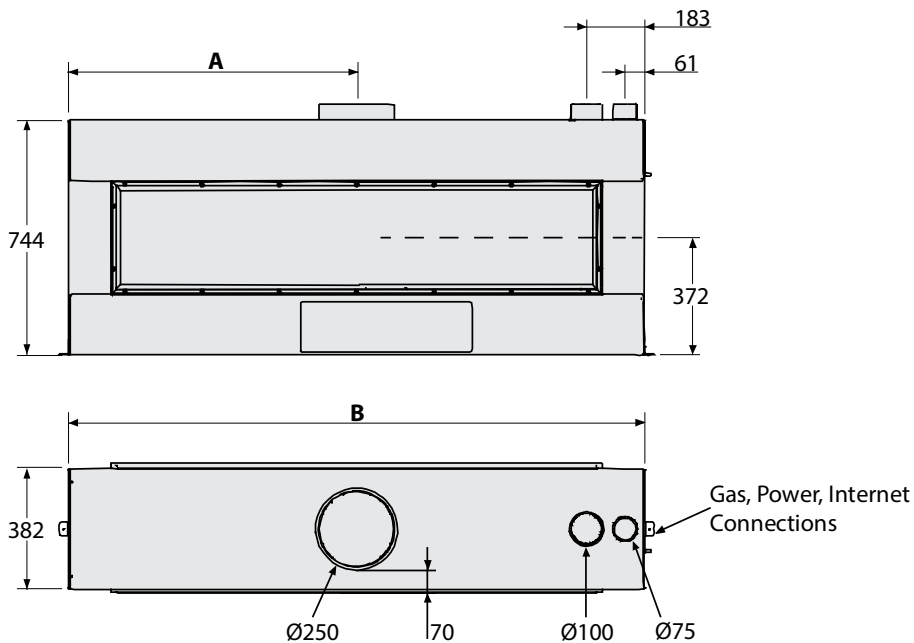
To ensure that your installation is fully complete, please use the "Installation Checklist" on page 45.



### A3 Product Dimensions

NOT TO BE MISTAKEN FOR CAVITY DIMENSIONS.

All dimensions are in mm.



For more detail, view architectural drawings at [www.escea.com](http://www.escea.com)

	<b>DX1000</b>	<b>DX1500</b>
<b>A</b>	664mm	914mm
<b>B</b>	1328mm	1828mm

# B Creating the Cavity

## B1 Cavity Shape

The DX1500 / DX1000 is suitable for timber framed cavities. Most existing masonry cavities will not be suitable.

The cavity design & shape will be dependent on a number of things, detailed below

## B2 Designing the Cavity

The following aspects must be considered when designing this installation:

- Appliance physical size
- Single sided or Double sided
- Wall finishing and interaction with appliance
- Positioning of appliance in regards to wall lining (depth into wall)
- Is a Fascia to be used? one side or two sides?
- Exhaust cowl aspect – horizontal / vertical and flue configuration
- Flue exhaust fan noise- Is there a direct noise path along the flue, especially for short flue runs?
- Exhaust cowl access for maintenance
- Duct layout and cavity spaces to run ducting
- Duct fan position
- Access to duct fan for maintenance
- Gas pipe layout
- Gas isolation valve / pressure test point position
- Electrical isolation switch
- Home automation network connections - Ethernet cable layout

**This DX1500 / DX1000 fire is to be installed prior to any wall lining.  
The wall lining is the very last task to be completed in this installation.**

The cavity and wall linings may be constructed from standard timber framing materials and do not need to be non-combustible.

It is not necessary to line the sides, or back of the cavity.

A

B

C

D

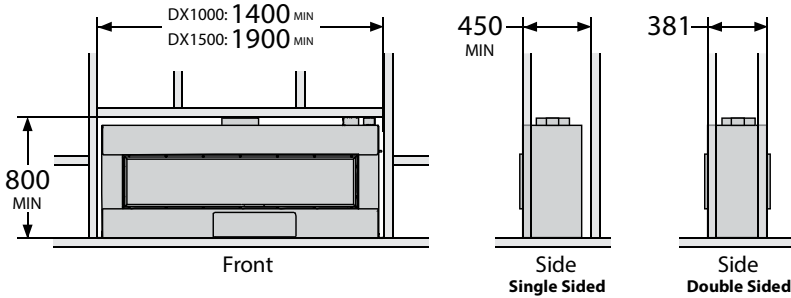
E

F

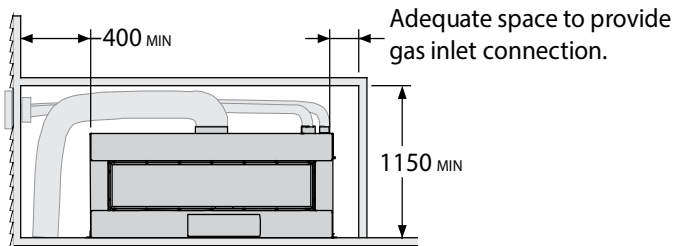
G

SERVICE

### B3 Framing Dimensions



#### Guidelines for Framing Dimensions - Bench top / Hutch style



### B4 Cavity Base

This appliance **MUST** be fully supported on its base, over the entire area of the underside of the appliance. The base must also be level and strong enough to support the total product weight, which is approximately **100kg** (DX1000) or **120kg** (DX1500).

### B5 Hearth

No hearth is required.

### B6 Wall Linings

The appliance must be installed prior to and behind the finished wall surface. Take into account any plaster board, tiles or any other finishing surface that may be intended for the finished wall surface. Wall finishing materials must not encroach upon the minimum cavity clearances given in previous sections. The wall board that lines the outside of the opening can be normal plaster board and does not need to be non-combustible.

*NOTE: The final wall lining must not encroach within the specified dimensions in this section or section B8 on page 13. These dimensions indicate the opening required in any wall lining.*

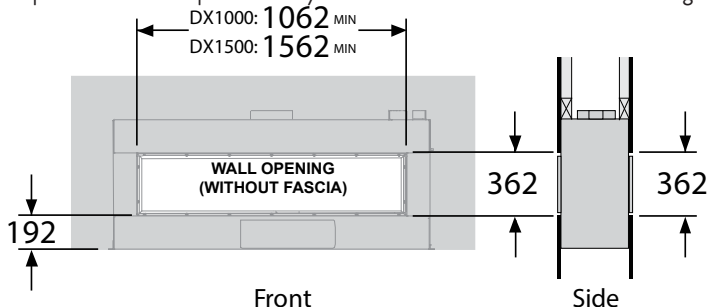
These dimensions are for DX1500 / DX1000 without fascia; if using a fascia then please check the following section of this manual for separate wall lining dimensions.

If not using a fascia, ensure the edge of the wall lining is finished in a tidy manner.

*Note: If duct backpressure is too great, the appliance can shut down due to overheating.*

*The ducting fan will generate mechanical noise. Ideally it must be installed in a position where noise will not interfere with daily activities. All air ducts will make noise no matter how well the system is designed. Increasing the number of outlets is a simple strategy to reduce this noise.*

The plasterboard is to protrude beyond framework as shown in the following diagram.



*Note: The wall lining directly above the appliance will get warm and hence may discolour paint finishes that are susceptible to temperature damage. The heat may also distort vinyl wall coverings. For durability of finishes and surfaces you should contact the relevant manufacturer for their specification and avoid materials that are not suitable for use above a fireplace.*

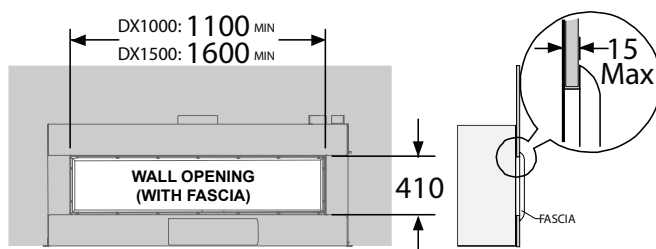
**Note that a 20mm or less wall lining must be used when installing a DX-series fireplace without a bevelled fascia. For wall linings of a total thickness of 10mm or larger, a “Linear Trim” may be purchased to cover any exposed wall lining. A 9mm wall lining is recommended for ease of installation.**

## B7 Fascia

*NOTE: Any installed fascia must be able to be removed for annual servicing of the fire, including cleaning the glass.*

### Bevelled Fascia

If using a bevelled fascia, the cutout required in the finished plaster board dimensions are:



**A 15mm or less wall lining must be used when installing a DX-series fireplace with a bevelled fascia, as this is the maximum distance the bevelled fascia can sit off the front face of the fire, as shown. For wall linings of a total thickness of 10mm or larger, a “Linear Trim for Bevelled Fascia” may be purchased to cover any exposed wall lining.**

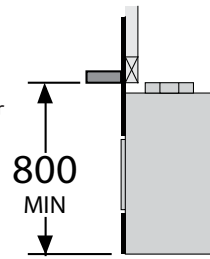
### Linear Trim

For 10mm-20mm wall linings, an optional “Linear Trim” can be used to cover any unwanted exposed wall lining and/or act as a slimline fascia.

## B8 Mantle Clearance

Mantles or protruding ledges above the heater must not be installed lower than the dimension shown to the right.

*NOTE: dimension from base of appliance.*



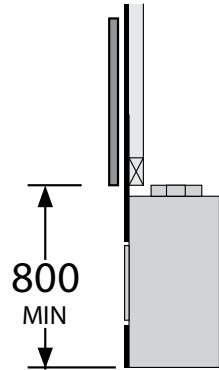
## B9 Television Clearances

The following are the recommended minimum clearances for the location of any electrical equipment (such as a Plasma TV, LCD TV or home theatre system) above an Escea DX Series gas fire.

*NOTE: The above television clearance recommendations are to be treated as a suggestion of a suitable installation only. It is the responsibility of the end user to check the installation instructions of their electrical appliances to ensure that the location in relation to the gas fire is suitable. Escea in no way guarantees or takes responsibility that the above installation suggestion will be suitable for all electrical or home entertainment appliances.*

*NOTE: Dimension is from base of appliance.*

For installations with a recessed TV above, allow at least 300mm above the top of the appliance to allow for duct and flue routing.



## B10 Ducting

**NOTE: The duct fan must be installed in a location accessible for service or replacement; a service hatch to allow for access may be required.**

This gas fire requires a small network of ducting situated in either the ceiling or under the floor to distribute heat generated by the appliance.

A centrifugal fan (separate purchase) is connected to the duct system. This draws air through the appliance where it is heated and distributes it via the ducting network. The centrifugal fan is powered by the appliance. **When placing outlets in rooms other than the room the appliance is installed in, it is important to allow for return air to equalise pressure between the rooms.**

**Caution: Provision must always be made for return air from heated rooms e.g. undercut doors or natural leakage.**

**WARNING: OVERHEATED ROOMS ARE NOT SAFE FOR INFANTS**

DX fires require a minimum of **three** outlets in the ducting system to be fully open at all times. At least two of those outlets must be present in the same room that the fire resides in. There can be a maximum of **five** outlets for the DX1000 and **eight** outlets for the DX1500.

A standard duct kit (separate purchase) has provision for the three minimum outlets - You can use your own ductwork and outlets, but you must ensure they are rated to temperatures of at least 90 degrees Celsius and have an appropriate R-value.

Ductwork must be adequately sized to avoid excess backpressures. Inadequate duct sizes will cause unnecessary fan noise and premature fan failure.

A  
B  
C  
D  
E  
F  
G  
SERVICE

We recommend removing the close flaps from at least three of the duct outlets to prevent unnecessary back pressure and fan noise.

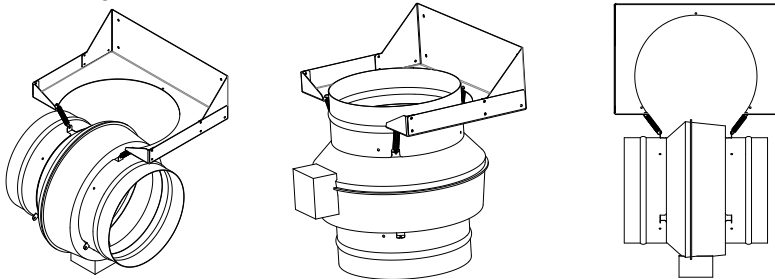
Ductwork must not be crushed or exposed to excessive heat sources.

**For installations with the duct fan installed in the appliance cavity we recommend:**

- Contact Escea's free Architectural Advice Service at aa@escea.com and forward them a copy of the intended design for comment.
- The cavity to be clad with sound gib.
- The fan to be wrapped in a sound absorbing material.
- The system to be tested for sound related issues before it is enclosed. Please contact Escea for more information at this stage if advice is needed.
- The duct fan must be hung on the provided hanger.
- The ducting must always have a "C" shape or an "S" shape to break up the sound waves on both sides of the duct fan.
- **The duct fan must be installed in a location accessible for service or replacement, a service hatch (to allow for access) may be required.**
- **Never place the fan in such a way to result in a straight run to the top of the fire, as the sound of the fan will echo out the front of the fire.**

## B11 Duct Fan Mounting

Using the 3x spring mounts supplied, the duct fan should be installed in one of the following positions as shown below. You must use the spring mounts as this will help decrease noise by not transferring vibration into the walls.



**NOTE: The duct fan must be installed in a location accessible for service or replacement; a service hatch (to allow for access) may be required.**

Run the electrical cable from the duct fan to the cavity where the appliance will be installed. Ensure the cable is not draped over or in contact with the outer shell of the appliance or either of the flexi flue tubes and is kept clear from any other possible heat sources. Fix it appropriately and allow enough cable loop to prevent tension on the cable plugs.

The duct fan unit length is approx 350mm and diameter is approx 340mm.

The duct fan must not be exposed to the outdoors.

### END OF SECTION B

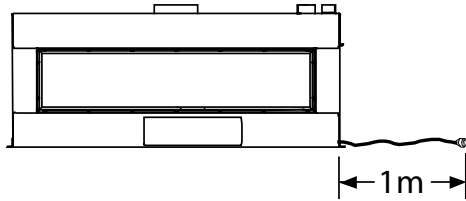
By the end of this section, you should have:

- A framed, but un-lined, cavity sized to suit your fascia and flue configuration
- Provision for sufficient access to the powerflue for future servicing

# C Installing the Electricity and Gas to the Appliance

## C1 Power Supply

While the cavity is being created, consideration must be given to the location of an appropriate power supply. An earthed 230/240 volt mains power connection (typically a standard 3 pin outlet) must be available within 1m of the bottom right of the appliance.



This connection **must** be accessible after the heater has been fully installed so that the appliance can be safely disconnected from the mains power supply prior to servicing.

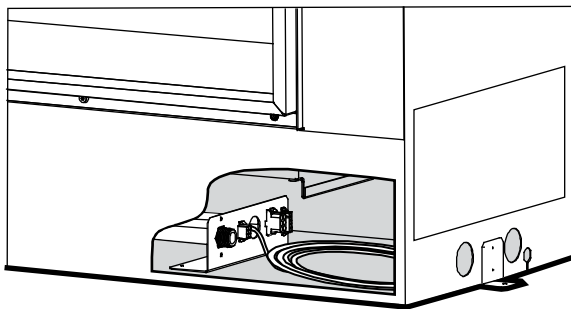
A mains isolation switch (compliant to AS:NZS 5601 Clause 6.2.8) which is accessible from outside the cavity can also be used to disconnect the power.

Regardless of the method used, it **MUST ALWAYS** be possible to safely isolate the electrical supply to the appliance after it has been fully installed.

This appliance must not be located immediately below a socket outlet. This appliance will draw a maximum of 2 Amps from a 230/240V supply. No additional power supply is required for the power flue.

## C2 Network Cable

A 10 meter length of network (Ethernet) cable has been supplied and is coiled inside the lower right of the fireplace. Access this via the removable access panel and connect it to the buildings' modem.



If you do not wish to connect the fireplace to the modem, the Network / Ethernet cable should be run to somewhere accessible by a service technician, such as a cupboard.

A  
B  
C  
D  
E  
F  
G  
SERVICE

### C3 Gas Pipe Sizing

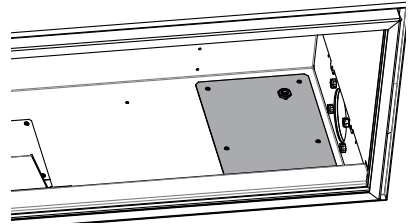
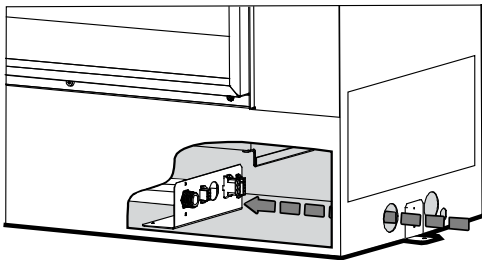
Gas pipe should be sized as per the requirements of AS/NZS 5601.1. The pipe sizing must be sufficient to deliver the following volume of gas to the heater with all other gas appliances in the home running at the same time:

**DX1500 Gas Consumption = 42MJ/hr**

**DX1000 Gas Consumption = 33MJ/hr**

### C4 Gas Pipe Position

The gas connection is inside the appliance and is ½" male BSPT on the lower right of the appliance as shown. Access is through the bottom of the firebox via a hatch (shaded grey in the right diagram).



### C5 Gas Isolating Valve

A gas isolating valve must be installed in the gas line as close to the appliance as possible. Fix it in a convenient position to allow it to be closed off quickly and easily during normal operation. Take into consideration access to this valve once the wall linings are on. This will also allow for easier servicing in the future.

## END OF SECTION C

By the end of this section, you should have:

- An unlined cavity with 230/240V AC supply that the appliance can be plugged into
- An electrical isolating switch that is accessible once the appliance is installed
- A suitably sized gas supply to the right hand side of the appliance with a pressure test point, ready to be connected once installed
- Network cable installed, ready for plugging into appliance, regardless of being connected to internet router/network or not



# D Installing the Flue

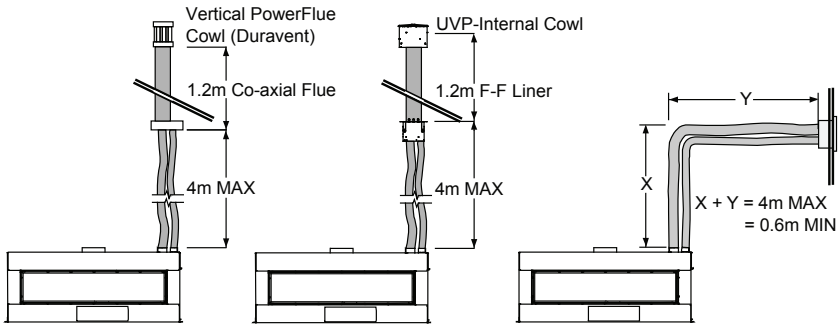
*NOTE: The appliance is designed to operate using the approved flexible flue supplied by Escea. Using other brands of flue may affect the appliance warranty.*

## D1 Flue Configuration (For less than 4m length)

### ONLY USE ESCEA APPROVED FLUE COMPONENTS

If your flue system is less than 4m long (as shown in the diagrams below), then a simple flexible flue is required. If you wish to install a longer flue run of up to 12m, see section D2 on page 18.

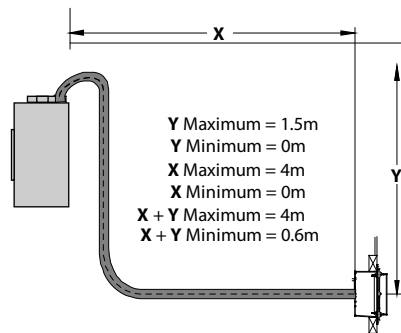
*NOTE: The flue system was designed to be installed indoors at a room temperature approximately above 10°C. For flue systems going through hot to cold temperature zones, please contact the technical support team.*



*NOTE: You must provide sufficient access to the powerflue to enable it to be serviced in the future. This means that the fan unit must have sufficient access to allow it to be replaced if necessary.*

The flue must be securely fixed and adequately supported by brackets fastened to the building structure at suitable points to ensure the stability of the flue system.

Any joints within the flue system must be sealed adequately with a sealing agent used if necessary. The flue system for the DX1500 / DX1000 is zero rated, so no spaces are required between the flue and any timber framing.

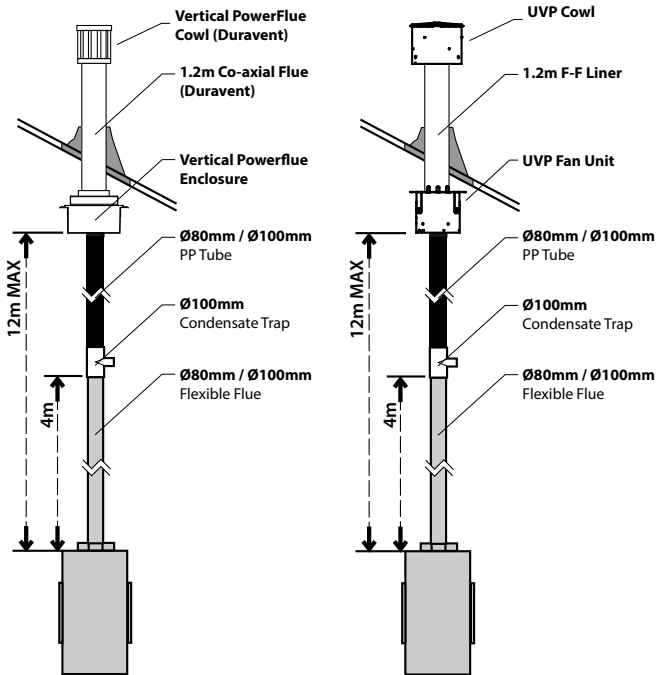


**NOTE: All sections of horizontal flue, if flexible, must be sloped back toward the fire at a rate of no less than 20mm per metre, to allow any condensation to run back into the appliance.**

A  
B  
C  
D  
E  
F  
G  
SERVICE

## D2 Flue Configuration (For more than 4m length)

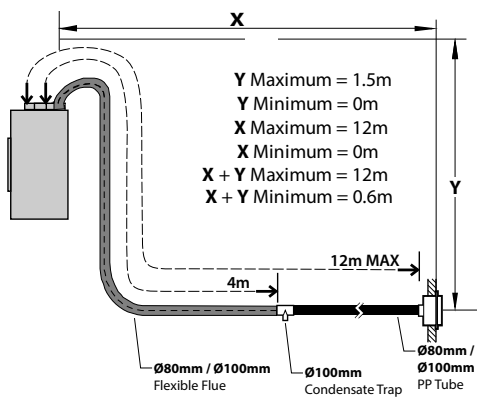
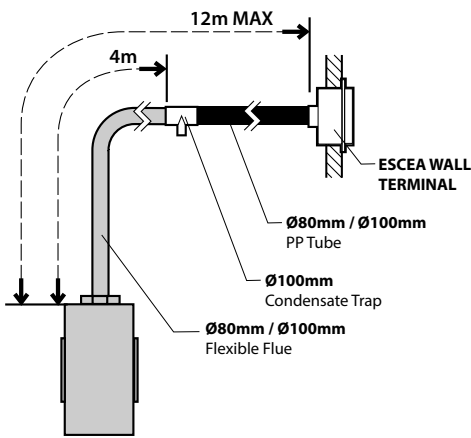
If your flue system is greater than 4m long (as shown in diagrams below), then a flexible flue with condensate trap and rigid PolyPro tube flue lengths is required. (For less than 4m flue runs, see section D1 on page 17).



FOR MORE INFORMATION ON INSTALLATION OF THE POLYPRO FLUE, SEE 'POLY PRO FLUE INSTALLATION INSTRUCTIONS' AVAILABLE ON: [WWW.ESCEA.COM](http://WWW.ESCEA.COM) OR SUPPLIED WITH THE FLUE.

FOR POLY PRO COMPONENT GUIDES, THESE ARE AVAILABLE ON: [WWW.ESCEA.COM](http://WWW.ESCEA.COM) TITLED: HORIZONTAL FLUE COMPONENT GUIDE & VERTICAL FLUE COMPONENT GUIDE

**Note: All sections of horizontal flue, if flexible, must be sloped back toward the fire at a rate of no less than 20mm per metre, to allow any condensation to run back into the appliance.**



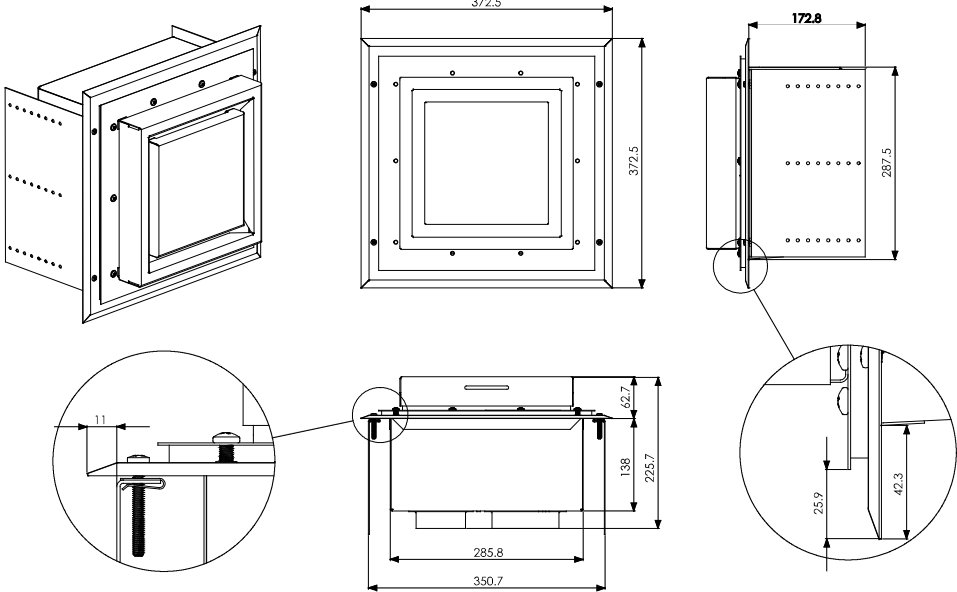
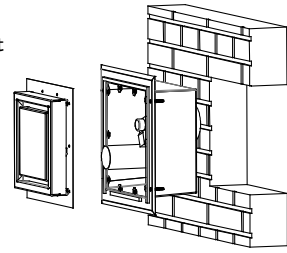
### D3 Installing the Horizontal Powerflue Wall Terminal Option

The horizontal powerflue wall terminal must be installed in the correct orientation (the small horizontal slot should be at the bottom). This allows for the correct operation of the flue system and prevents the ingress of water.

The horizontal powerflue wall terminal must be weathertight when installation is complete to prevent damage to the dwelling. It must be installed by a suitably qualified person.

Fit the horizontal powerflue wall terminal into the hole and fix in place, making sure the installation is sealed appropriately to prevent the ingress of water from outside the wall cladding. Take notice of the label on the termination which shows the correct orientation of the terminal.

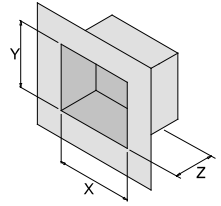
*NOTE: It is the responsibility of the installer to ensure the horizontal powerflue wall terminal is installed to all relevant building codes to ensure weather tightness.*



A

## Creating the Hole in the Outside Wall

When cutting the hole in the outside wall, be mindful of how the installation of the horizontal powerflue wall terminal will be finished; the installation must be weatherproof.



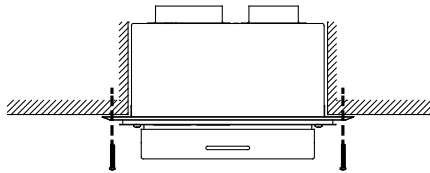
Ideal Hole/Cavity Size for Horizontal Powerflue

	Without Side Brackets	With Side Brackets
X	298mm	360mm
Y	298mm	298mm
Z	175mm Excluding allowance for flue which exits here	

B

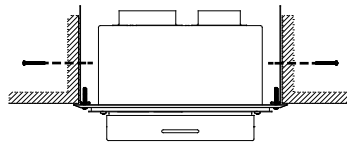
The horizontal powerflue wall terminal can be attached to the wall in two ways:

A) From the front of the terminal:



D

B) By attaching the optional wall terminal installation brackets to the sides of the cavity and attaching the horizontal powerflue wall terminal to these, from the front:



E

Attach the Ø100mm and Ø75mm flexible aluminium flues to the spigots on the rear of the horizontal powerflue wall terminal using the hose band clamps supplied. Plug the powerflue electrical cable into the back of the horizontal powerflue wall terminal.

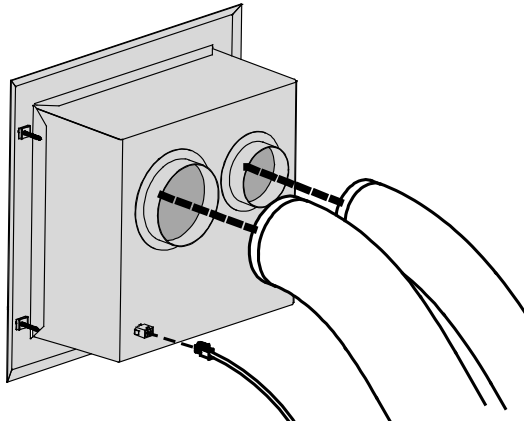
F

For information on the PolyPro flue, see the installation manual which is supplied with the flue components.

G

Ensure that the electrical cable is firmly secured to the wall terminal or building to prevent damage or disconnection if pulled.

SERVICE



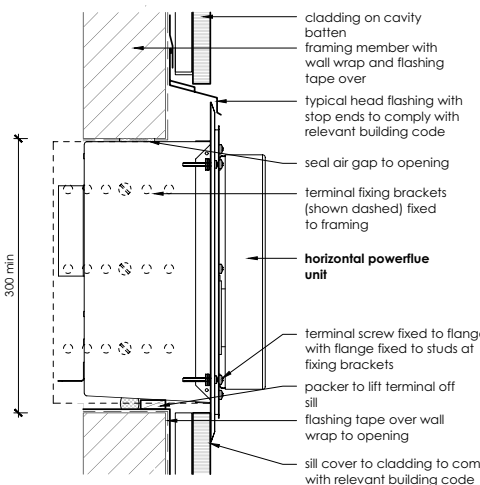
Fit the horizontal powerflue wall terminal into the hole and fix it in place, making sure the installation is sealed appropriately to prevent the ingress of water from outside the wall cladding.

*NOTE: It is the responsibility of the installer to ensure the horizontal powerflue wall terminal is installed to all relevant building codes to ensure weather tightness. This may necessitate the use of appropriate flashing material where appropriate.*

**IMPORTANT:** Ensure that flashings do not restrict the air intake slot around the periphery of the cowl.

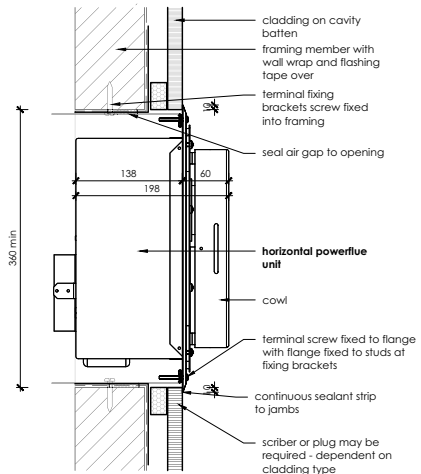
### How to Flash the Horizontal Powerflue

The following diagrams are excerpts from the Escea architect drawings and are available in full on our website. These diagrams are recommendations, and your installation must comply with any local or national building codes.



Head and Sill

scale 1:5



Jamb

scale 1:5

## D4 Installing the Internal Vertical Powerflue (UVP)

**NOTE:** For information regarding an external install of the UVP, go to section D5 on page 24.

The Universal Vertical Powerflue (UVP) internal configuration is designed to have the fan, mounted within the roof space of the house, and the vertical  $\text{Ø}225\text{mm}$  diameter liner, containing a  $\text{Ø}100\text{mm}$  flexi, penetrate through the roof. The UVP internal conversion kit comes with a 1200mm liner that is specific to the internal installation and must always be used.

**Note:** The flue setup must comply with either section D1 on page 17 or D2 on page 18.

Use standard methods to flash the roof penetration. The installation must be weatherproof and conform to all local council standards including powered flue termination rules.

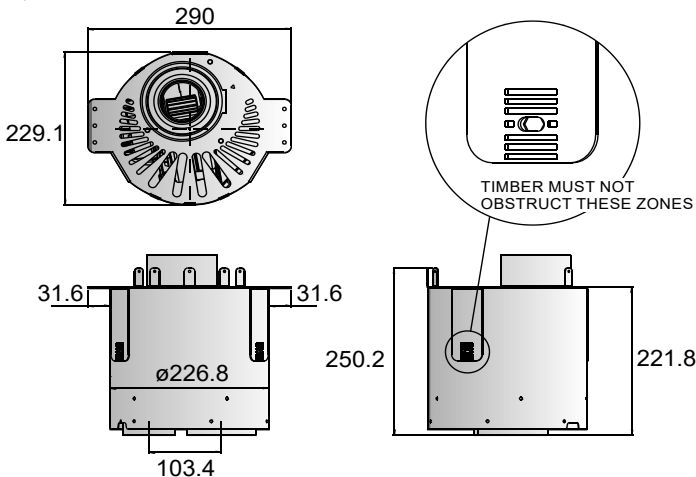
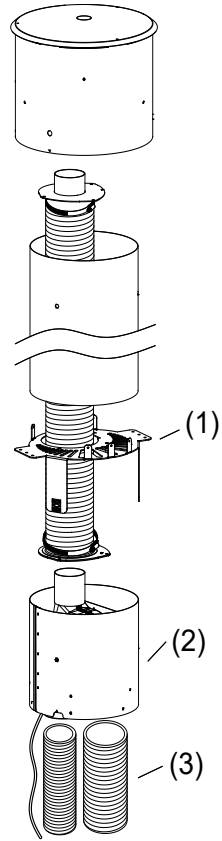
Mount the fan mount bracket (1) to the roof framing and strapping using timber ensuring that the flue is rigid and vertical. Ensure that the mounting timber does not obstruct access to the 3xM5 screw threads on the side of the fan unit.

Aim to have the fan enclosure (2) mounted as high as possible, mainly to allow sufficient fall for condensation drainage if the flexi-flue is to run horizontally.

Ensure there is sufficient space below fan enclosure (2) to have access to fit the flexi-flue tubes (3) and allow flowing bends if required.

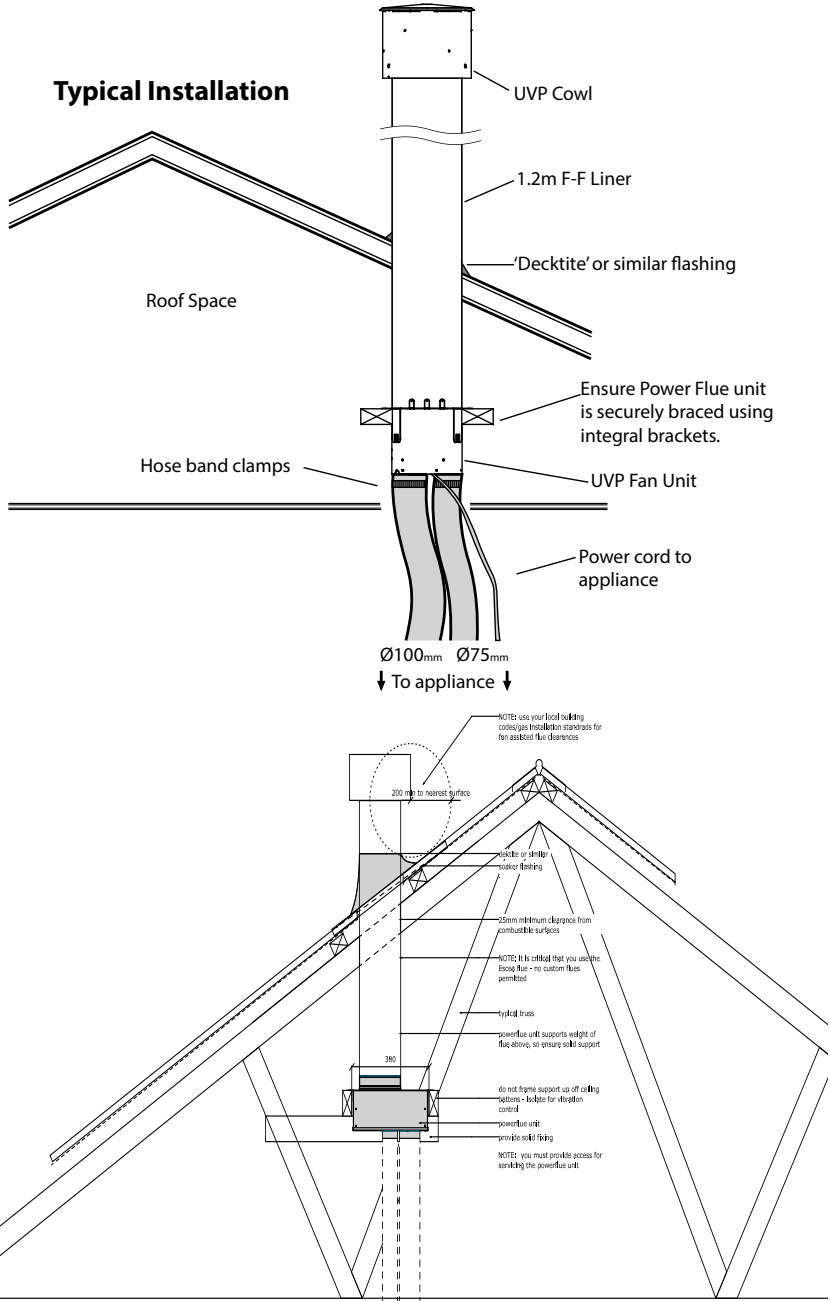
**NOTE: The UVP-Internal and the flexi flue connections must be installed in a location accessible for service or replacement; a service hatch or removable flashing to allow access is required.**

**NOTE:** When installing the unit onto a flue liner, ensure the length of flue liner above the roof is the minimum required length.



The UVP-Internal kit is intended for use within an accessible roof space or 'chimney' construction.  
**Service access must be provided.**

Ensure installation complies with relevant building codes and regulations.

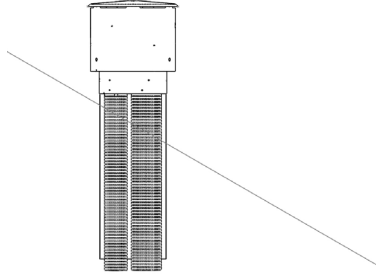


## D5 Installing the External Vertical Powerflue (UVP)

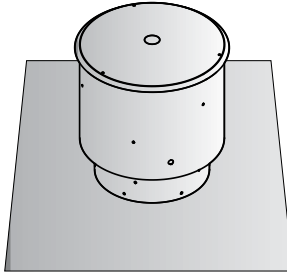
Note: For information regarding an internal install of the UVP, go to section D4 on page 22.

The UVP is designed to have the enclosure containing the fan unit mounted externally; an example is shown below.

Note: When installing the unit onto a flue liner, ensure the length of flue liner above the roof is the minimum required length.



The cowl surround should be fixed in place as shown.



Mount the UVP kit to the top of a chimney flashing plate or penetrate the roof with an optional flue liner accessory and fit the UVP kit over the flue liner, sealing the penetration with a decktite or similar flashing. Ensure the terminal is vertical and rigidly mounted and the flexi flue attached below is fixed to the terminal spigots using the supplied hose clamps. The flexi flue is held in place by drilling 3 holes and screwing 3 self tapping screws evenly around each hose band clamp (as shown in the picture below).

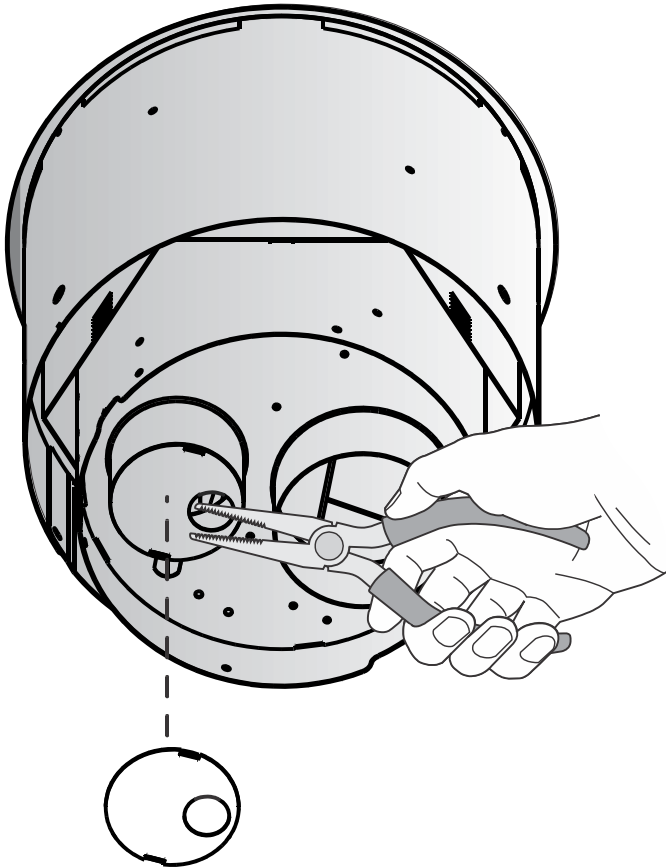




## D6 Removing the Restrictor Plate

For every DX-series installation with an EVP, UVP-External or UVP-Internal, the attached restrictor plate must be removed. To do this:

- Turn the unit on its head and identify the restrictor plate attached to the  $\varnothing 75\text{mm}$  spigot.
- Break the restrictor plate with a pair of snipers, pliers, or other means necessary. (Do not damage the  $\varnothing 75\text{mm}$  spigot).

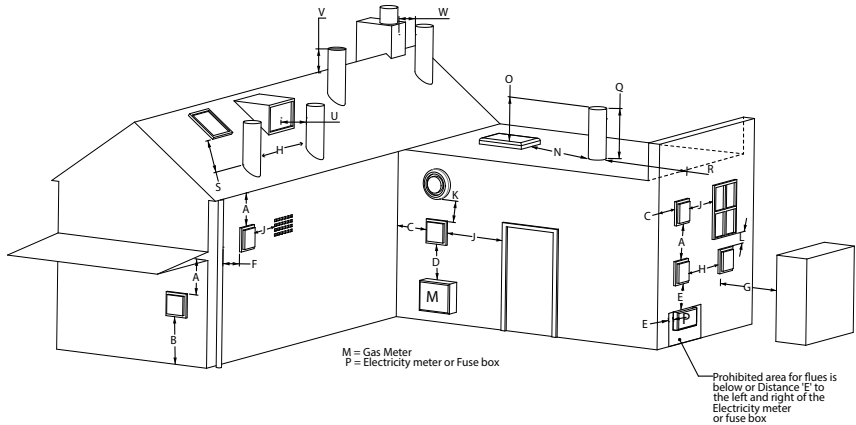


## D7 Installing in Accordance with Relevant Codes

The location of the Powerflue Terminal must be installed in accordance with AS/NZS 5601.1 and any other relevant building codes. Avoid installing the Powerflue Terminal in areas exposed to high winds and extreme weather, if possible.

Some of those minimum clearances for a fan assisted terminal are listed below; please refer to AS/NZS 5601.1 Gas installation standard for full guidance on the design of the flue system.

Where possible allow a greater clearance.



A	Below eaves, balconies and other projections	200mm
B	From the floor, above a balcony or other surface	300mm
C	From a return wall or external corner	300mm
D	From a gas meter or regulator vent	1000mm
E	From electricity meter or fuse box	500mm
F	From a drain pipe or soil stack	75mm
G	Horizontally from any building structure or obstruction	500mm
H	From any other flue terminal or combustion air intake	300mm
J	Horizontally from any openable window, door, non-mechanical air inlet, or any other opening into a building with the exception of sub floor ventilation	300mm
K	From a mechanical air inlet or spa blower	1000mm
L	Vertically below any openable window, door, non-mechanical air inlet, or any other opening into a building with the exception of sub floor ventilation	300mm
N	Horizontally from a roof light	600mm
O	Vertically from a roof light	500mm
Q	Vertically from a flat roof	500mm
R	Horizontally from a vertical structure	500mm
S	Below a roof window	2000mm
T	Above or either side of a roof window	600mm
U	From a dormer window	1500mm
V	Above the apex of the roof (see note 1 on following page)	300mm
W	From an open flue	1500mm

Notes:

- 1) Should the flue not extend past the apex of the roof, the bottom opening of the flue should extend at least 200mm from the roof (or 300mm in regions with heavy snow).
- 2) The installation of a flue into a carport is not recommended.
- 3) The flue terminal will get very hot when in use. Precautions should be taken to protect people and animals from injury.

## D8 Running the Flue

If your flue system is greater than 4m long (as shown in diagrams below), then a flexible flue with condensate trap and rigid PolyPro tube flue lengths is required (see textbox at end of section for more info).

Run the Ø100mm ID and Ø75mm ID (Ø110mm OD & 85mm OD) flexible aluminium hoses from the cavity to the rear of where the Horizontal Powerflue Wall Terminal will be installed in the outside wall. **The flue system for the DX1500 / DX1000 is zero rated, so no spaces are required between the flue and any timber framing.** Allow enough stretch in the flexible aluminium flue to allow it to be able to sit just outside of the wall.

*NOTE: The flexible flue is shipped in a 'compressed' form. Extend it to your desired length by stretching (up to 4m maximum per length).*

**FOR MORE INFORMATION ON INSTALLATION OF THE POLYPRO FLUE, SEE 'POLY PRO FLUE INSTALLATION INSTRUCTIONS' AVAILABLE ON:  
WWW.ESCEA.COM  
OR SUPPLIED WITH THE FLUE.**

**FOR POLY PRO COMPONENT GUIDES, THESE ARE AVAILABLE ON:  
WWW.ESCEA.COM  
TITLED:  
HORIZONTAL FLUE COMPONENT GUIDE &  
VERTICAL FLUE COMPONENT GUIDE**

## D9 Running the Powerflue Electrical Cable

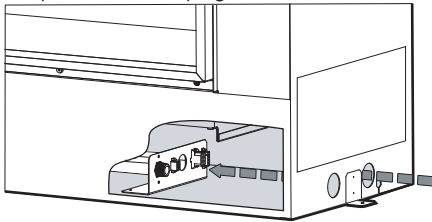
*Note: The powerflue terminal is powered from the appliance and must be connected to the appliance with the supplied electrical cable only.*

*Note: Ensure that the appliance power supply is disconnected before making the connection to the terminal*

The supplied electrical cable is 7m long; flue extension kits also include a powerflue electrical cable extension.

Run the electrical cable from the cavity where the appliance will be installed to the hole in the outside wall. Ensure it is not draped over, or in contact with, the outer shell of the appliance or the flues. The cable must be kept clear from any other possible heat sources, sharp edges, or moisture. Fix it appropriately and allow enough cable to be able to pull both the appliance and the powerflue terminal out from their installed positions.

The powercable will plug in as shown below.



**If you do not connect the powerflue electrical cable to both the fireplace and the powerflue, this will result in an error when the fireplace is turned on.  
Test the fan before continuing with the rest of the installation.**

## END OF SECTION D

By the end of this section, you should have:

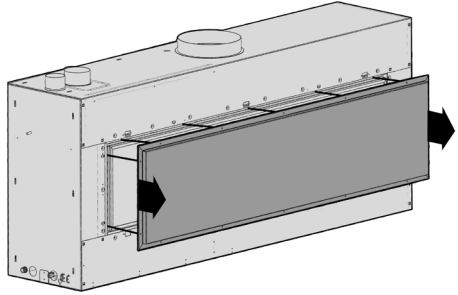
- A weather-tight Horizontal Powerflue Wall Terminal installation with clearance as specified by AS/NZ5601.1
- Reasonable access to the outside face for maintenance purposes.
- Flue attached to the rear of the Horizontal Powerflue Wall Terminal leading back to the appliance.
- The electrical cable from the Horizontal Powerflue Wall Terminal attached to the rear of the installation and run back to the appliance cavity in an electrically safe manner.

# E Installing the Appliance

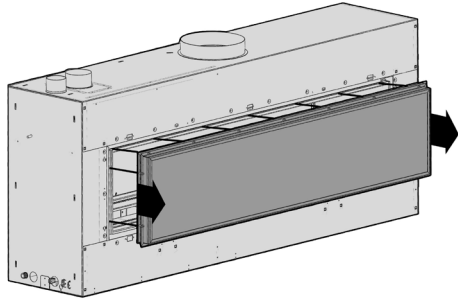
## E1 Double Sided Conversion

If the appliance is to be double sided, you will have been supplied with an extra glass panel and steel support frame and wall lining trim brackets.

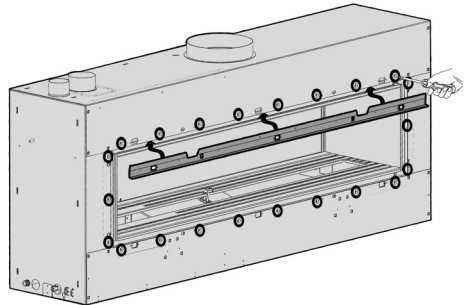
1. On the rear of the appliance, unscrew the outer shell cover and remove it as shown



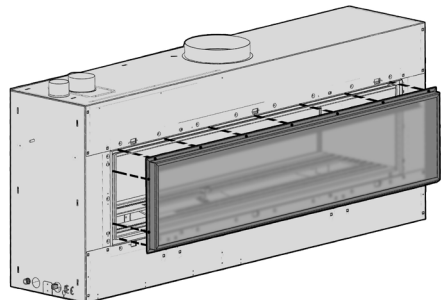
2. Unscrew the firebox rear panel and remove it. Sometimes extra force may be required to remove this panel as the sealing tape can 'glue' itself to the painted surface.



3. Screw the wall lining trim brackets on to the appliance chassis as shown in photo.



4. Carefully install the extra glass panel and frame onto the appliance, ensuring that the glass does not fall from the frame. Tighten the bolts around the outside of the glass retainer until securely fitted.



A

B

C

D

E

F

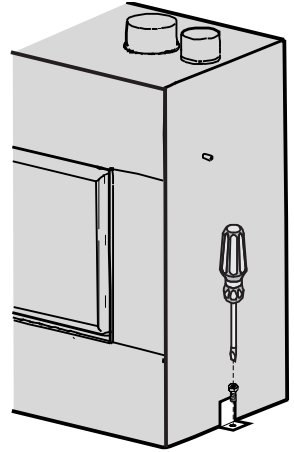
G

SERVICE

## E2 Installing the Appliance

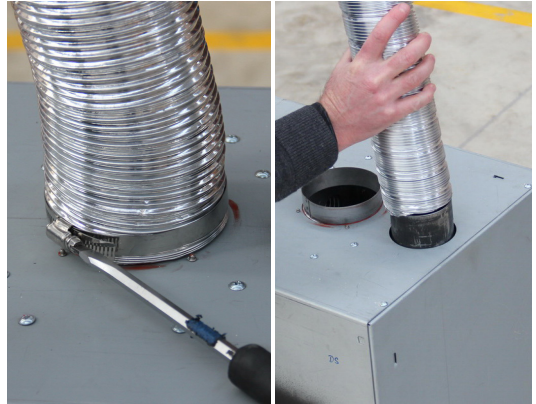
Insert the gas fire into the cavity and bolt down in correct position using the brackets on each end of the appliance. It is a requirement that this appliance be securely fastened at the base. **Ensure that the fire is seismically restrained in a manner appropriate to the installation location.**

- On the right hand side of the appliance:
- Connect the powerflue electrical cable.
- Connect the duct fan electrical cable
- Plug the appliance Mains power electrical cord into the 230/240volt outlet in the cavity.



## E3 Connecting the Flue

Access the top of the appliance and connect both the inlet flue ( $\text{\O}75\text{mm}$  ID /  $85\text{mm}$  OD) and the exhaust flue ( $\text{\O}100\text{mm}$  ID /  $110\text{mm}$  OD) to their respective spigots. Tighten the hose clamps onto the spigots. Ensure the flue connection is air tight. Sealant is not required.



**WARNING:** The flue connection **MUST** be secured with the clips provided and tape **MUST NOT BE USED**. If any of the flue pipe is damaged and integrity compromised then it should not be repaired with tape, it should be replaced.

## E4 Connecting the Ducting

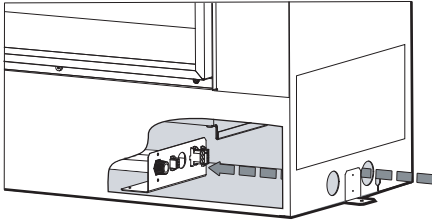
Attach the ducting to the top of the appliance at the 250mm diameter spigot and secure using a clamp or appropriate ducting tape to ensure an airtight joint.

## E5 Connecting the Network Cable

A network cable has been attached to the appliance. This must be left accessible even if not being used, to make future servicing or upgrades easier. To access the network cable, open the access hatch on the base of the firebox (underneath the burners) and feed the cable through the holes in the outer chassis where the power and gas lines are.

## E6 Connecting the Powerflue and Duct Fan Cables

Connect both the duct fan plug and the powerflue fan electrical cables to the fireplace.



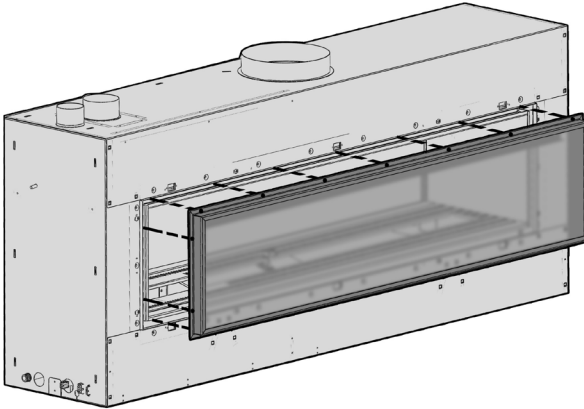
Flue Fan

Duct Fan

If the fans are not plugged in, it will result in an error when starting the appliance.

## E7 Removing (and Replacing) the Glass

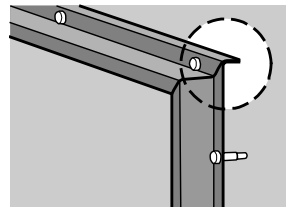
Using the supplied 3mm Allen Key (hex drive) remove the bolts around the glass retainer ensuring that the glass does not fall forward.



Pull the top of the frame toward you slightly and lift the glass and frame out and away from the fire. Place the glass & frame carefully aside.

### NOTE WHEN REPLACING THE GLASS:

When replacing the glass, note that the metal flange shown to the right must be on top (not the bottom), or the glass will not fit correctly to the fireplace.



## E8 Remove the Fuelbed Tray & Burners

Remove the fuelbed tray from the fire box, by lifting one end up into the top corner and then out towards you. Take care not to scratch the firebox paint and lift out the burners.



## E9 Gas Type Conversion

THIS APPLIANCE HAS BEEN CONFIGURED TO ONE SPECIFIC GAS TYPE. To change the gas type, a gas conversion kit must be purchased separately from your local Escea dealer.

If gas type conversion is not required then jump to ““E10 Checking the Gas Operating Pressure” on page 34”.

*NOTE: Access to the valve and control system can be through either of the 2 hatch panels shown shaded black in the diagram of section E10 on page 34.*

**WARNING: The regulator that is supplied with the fire MUST NOT BE REMOVED.**

Removal of the regulator, or replacing it with one not intended for use with this Escea fire, will void the limited appliance warranty.

**Turn off power and gas first.**

**Step 1:** Ensure the power and gas are off. Remove the fascia, glass, and fuelbed as per section E7 on page 31.

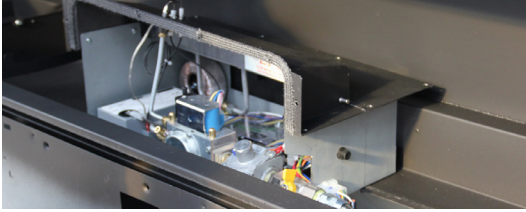
**Step 2:** Lift out the two burners and the surrounding perforated grill as per section E8 on page 32.

**Step 3:** Remove the screws in the bottom and the inner side of the firebox as per shown.





Remove the 'engine' by lifting up and to the left. This is still connected internally to the gas hose and power cables. Place engine just to the left within firebox as shown.



**Step 4:** Change the two main burner jets with the jets supplied in kitset.

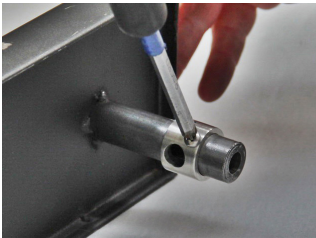
	<b>DX1500</b>	<b>DX1000</b>
<b>NG (Both jets)</b>	Ø2.3mm	Ø1.95mm
<b>Propane / ULPG (Both jets)</b>	Ø1.3mm	Ø1.10mm

**Step 5:** Remove the regulator screw cap and screw out the nylon adjuster screw to remove the existing spring. Replace the spring with the purple spring supplied in the conversion kit and reassemble the regulator.

**Step 6:** Cover the existing gas type label (located on underside of hatch shown in section C4 on page 16) with the new gas type label supplied in kitset. Ensure the serial number and the date of manufacture are still visible. Write your name, company (if appropriate) and the date of conversion on the new label with permanent marker.

**Step 7:** Place the engine back into firebox. Take care not to pinch any wires. Don't replace the screws at this stage to make it easier to remove the engine and place manometer hoses.

**Step 8:** The burner tubes on both burners have convertible collars. Ensure the collars on both are set to the correct orientation. Place both burners into position.



ULPG/Propane  
11mm hole exposed



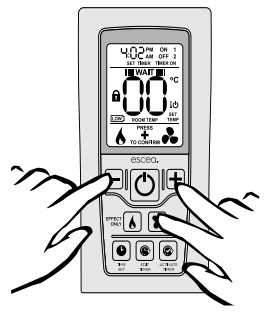
NG  
3.5mm hole exposed

A  
B  
C  
D  
E  
F  
G  
SERVICE

**Step 9: Adjusting the electronic controller for gas type**

Ensuring the gas is still OFF, Turn the power ON.  
Insert “AA” size batteries into the remote control. You should now see the time on the display showing 0:00.

Press the MINUS, PLUS and FAN BOOST buttons simultaneously (as shown right) until the characters “03” light up on the display. Release the buttons and the remote will count down and display “GO”. The screen will then display all characters. This will put the remote into test mode and the two big temperature digits should begin counting from 0 to 99 repeatedly.

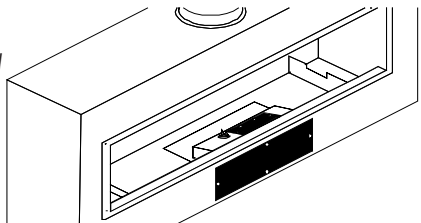


Now hold down the ‘EDIT TIMER’ and ‘ACTIVATE TIMER’ buttons simultaneously; the remote display will show the current configuration of either ‘NG’ for Natural Gas or ‘LP’ for ULPG/Propane. To change this configuration, hold down the ‘EDIT TIMER’ and ‘ACTIVATE TIMER’ buttons simultaneously for 5 seconds. This will now have toggled between gas types.

Once you are chosen the correct gas mode, press the ‘ON’ button once to exit this diagnostics mode.

**E10 Checking the Gas Operating Pressure**

*NOTE: Access to the valve and control system can be through either of the 2 hatch panels shown shaded black in the diagram to the right.*

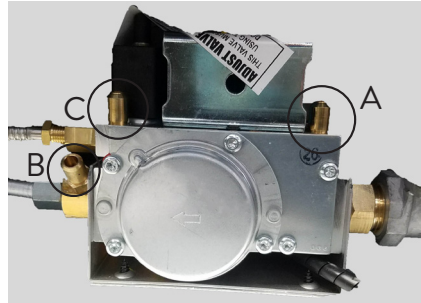


*NOTE: Ensure the thermostat control within the remote does not cause the flame to modulate down by increasing the set temperature and keeping the remote in a cool environment.*

Turn on the gas. Turn the power on. Check the inlet pressure upstream of the appliance using the test point installed earlier.

*NOTE: The regulator that is supplied with the fire MUST NOT BE REMOVED. Removal of the regulator, or replacing it with one not intended for use with an Escea fire, will void the limited appliance warranty and may be dangerous.*

The gas valve (shown right) has manometer test points at A, B, and C.



Gas Pressure Table - <b>DX1000</b>	Gas Type	
	Propane (AUS) or ULPG (NZ)	Natural Gas
Minimum Inlet Pressure - Pre-Regulator	2.75 kPa	1.13 kPa
Maximum Inlet Pressure - Pre-Regulator	5.0 kPa	5.0 kPa
Operating Pressure when on high - (Point B or C)	2.32 kPa ±5%	0.82 kPa ±5%
Operating Pressure when on low - (Point B or C)	0.72 kPa ±5%	0.28 kPa ±5%
Max operating pressure - at burner jet	2.30 kPa	0.76 kPa
Operating pressure - Post-Regulator (Point A)	2.30 kPa	1.00 kPa

Gas Pressure Table - <b>DX1500</b>	Gas Type	
	Propane (AUS) or ULPG (NZ)	Natural Gas
Minimum Inlet Pressure - Pre-Regulator	2.75 kPa	1.13 kPa
Maximum Inlet Pressure - Pre-Regulator	5.0 kPa	5.0 kPa
Operating Pressure when on high - (Point B or C)	1.96 kPa ±5%	0.76 kPa ±5%
Operating Pressure when on low - (Point B or C)	0.96 kPa ±5%	0.28 kPa ±5%
Max operating pressure - at burner jet	1.94 kPa	0.75 kPa
Operating pressure - Post-Regulator (Point A)	2.30 kPa	1.0 kPa

Loosen test point A (shown in the previous diagram) and attach a manometer tube in preparation for measuring the operating pressure - post regulator. Alternatively, remove one burner and affix the manometer tube to the burner jet.

Turn the fire on high and adjust the operating pressure at the regulator.

Once the operating pressure - post regulator - is set, check the operating pressure at test point B or C (shown in the first diagram of this section).

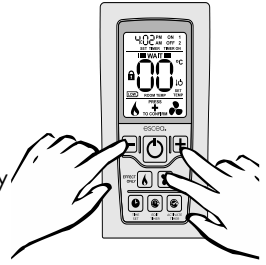
Ensure all other gas appliances within the house are also operating at maximum. If the operating pressure does not read within 5% of the table above then remove the cap from the gas pressure regulator within the appliance and adjust the threaded spring stop. The true adjusted pressure can only be read with the cap replaced.

A  
B  
C  
D  
E  
F  
G  
SERVICE

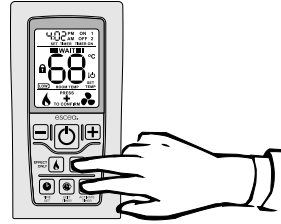
## Changing the Operating Pressure from the Remote

The following instructions **must only be undertaken by a suitably approved person**. Any tampering by an unauthorised person will void the product's warranty and may result in a dangerous condition.

While the remote is in its "OFF" mode with only the time showing on the display, press the MINUS, PLUS and FAN BOOST buttons simultaneously (as shown right) until the characters "03" light up on the display. Release the buttons and the remote will count down and display "GO". The screen will then display all characters and should be reading 00. This will put the remote into test mode.

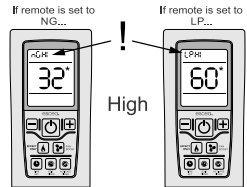


Whilst in test mode: press and hold the "ACTIVATE TIMER" and "FAN BOOST" buttons for 4 seconds to access the gas valve settings. The appliance will automatically turn on while in this mode.

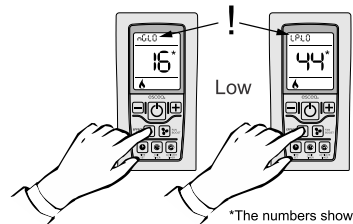


**WAIT. Allow the appliance to fully light all burners before continuing.**

The high setting for the currently set gas type is displayed first (indicated in the clock segments at the top). Pressing the plus or minus keys will change the setting up or down respectively, which will change the gas pressure measured at point A or D. The large digits will blink rapidly after the setting is made until the verification is received from the fire.



*Note: The numbers displayed on the remote should only be used to achieve the correct pressure. The numbers by themselves do not represent anything and should not be relied upon.*



\*The numbers shown above are not targets

toggling to the low setting is done by pressing the 'EFFECT ONLY' button (indicated in the clock segments at the top and by the 'EFFECT ONLY' icon at the bottom). Settings are made with the 'PLUS' and 'MINUS' buttons as above. Exiting this mode is by pressing the on/off button.

**NOTE:** This is a powerful gas heater that, on the lowest setting (flame effect), will still generate approximately 50% heat.

## E11 Operating the Appliance

Turn on the fire by pressing the “⏻” power button the remote and within a few seconds the appliance will begin its startup sequence, with a 15 second purge of the flue fan. After purge it will arc. It may take a few attempts to light the first time due to air in the gas line. You may wish to purge the gas line at the valve by bleeding the first test point. This requires a small blade screwdriver.

Once the fire has lit the pilot and main burner you will be able to measure the operating pressure. Set the remote temperature to 30deg by pressing the “+” button. This will allow maximum gas flow into the appliance.

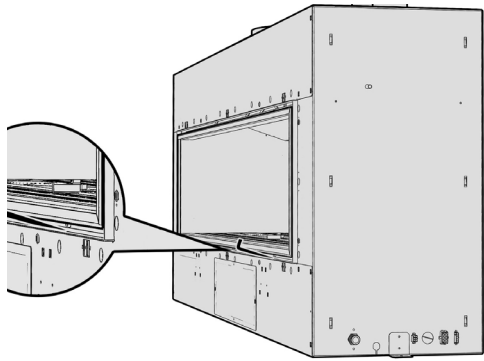
Press the “⏻” power button again to shut down the fire.

Once the fire is cool, re-insert the 14 engine screws and ensure that the burners and fuelbed tray are back in position. If removed, put the inspection panel back on as well.

## E12 Auxillary On/Off button

The auxillary on/off button is used to turn the fireplace on without the remote control, and also used for “teaching” the fireplace to listen for new remote controls. For information on teaching a new remote control, see section S5 on page 51 of the service manual at the end of this document.

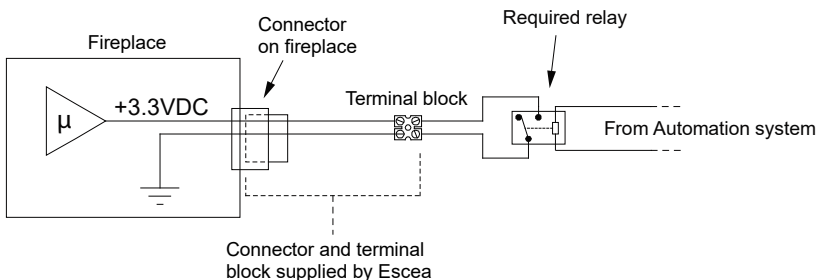
The auxillary On/Off button is accessed by using an allen-key or thin object to poke through in the location shown to the right.



## E13 Home Automation Setup

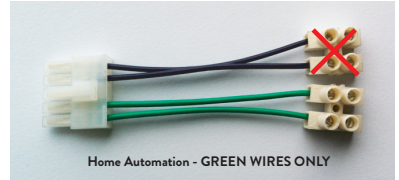
Escea D-Series fireplaces have a simple interface for connection to a home automation system. This allows the fireplace to be woken up, started, and then shut down. The “Close to Wake” connection (shown below) is essentially taking one of the 3.3 volt DC pins on the fireplace microcontroller and shorting it to ground.

In order to isolate the fireplace from the automation system, a relay needs to be used (as shown). This allows you to keep the fireplace’s 3.3V supply isolated.



The home automation connection can be found in your fireplace accessory pack (shown right).

This connects to the fireplace via the lower RH outside panel of the fireplace, next to the primary network cable access point, as shown in section C2 on page 15.



## Home Automation Operation

### Relay closed

The fireplace will start in a medium setting until the remote control talks to the fireplace and picks up the 'ON' signal (which can take up to 4 minutes). Once the remote has communicated with the fireplace it will turn on and begin operating thermostatically. The remote will use whatever temperature the user has previously set and cannot be altered by the home automation system. The fireplace will continue to operate while the relay is closed.

*Note: If the fireplace cannot communicate with the remote within 10 minutes of the relay contact closure then the fireplace will shut down and return to standby. The remote controller is required to be within operating range of the fireplace for its safe operation.*

### Relay open

If the fireplace is operating with a closed relay then, upon opening the relay contacts, the fireplace will shut down and return the remote controller to its standby mode when it next updates (which can take up to 4 minutes). While the relay is open the fireplace will be in standby mode and available for manual operation by the user.

## END OF SECTION E

By the end of this section, you should have:

- The appliance installed in the cavity
- The appliance fixed to the cavity base and wall lining
- The appliance plugged into a mains electricity supply
- The appliance gas supply attached and pressure tested with all other gas appliances running

# F Finishing the Installation

## F1 Crystalight or Coal Fuel Bed Installation

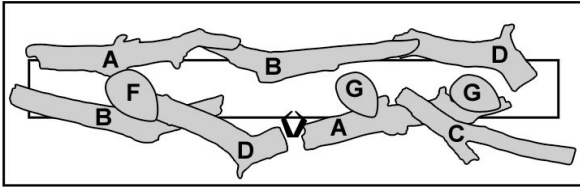
If using the crystalight or coal fuel beds, first place all the crystalight/coal pieces in a single layer atop the burners and fuelbed tray. Cover the entire area with the fuelbed media, being careful not to cover the pilot shield and ensuring coverage right up to both glass windows and the rear of firebox for single sided.

**Do not heap or mound any fuelbed. Continue to “F3 Replace the Glass” on page 40.**

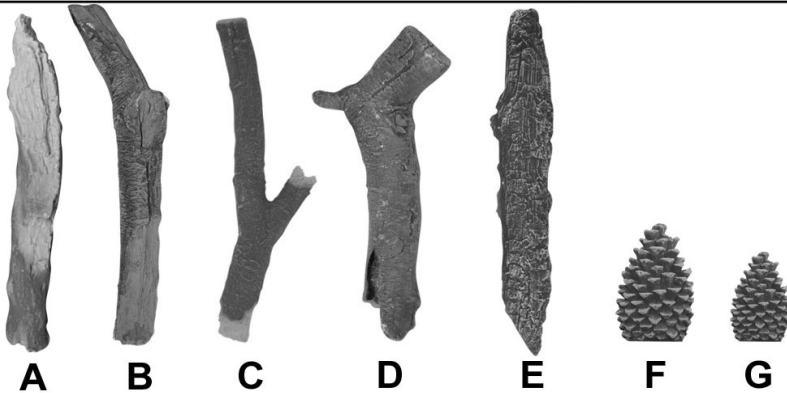
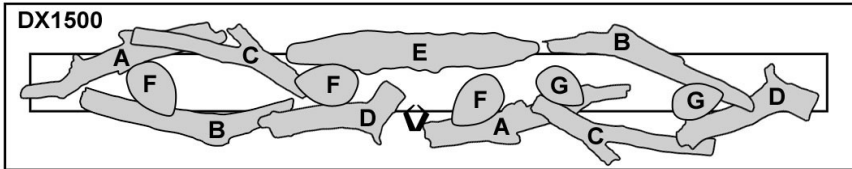
## F2 Woodland Selection Fuel Bed

If using the woodland selection with shale fuel bed, first place the logs and cones in the positions shown below.

**DX1000**



**DX1500**



Once the logs and cones have been correctly positioned, scatter the shale evenly across the fire base to cover as much area as possible without obstructing the pilot flame.

For the DX1000 you should use the 7x supplied 600ml bags of shale (chips), and for the DX1500 you should use the 10x supplied bags.

*NOTE: Improper positioning of any fuelbed media may create carbon build-up and will alter the unit's performance. Malfunctioning due to improper fuel media placement will not be covered under warranty.*

### F3 Replace the Glass

Reinstall the glass and retainer frame, being careful that the glass does not fall from the frame. Tighten the bolts around the outside of the glass retainer until securely fitted. Do not over-tighten the glass retainer bolts.

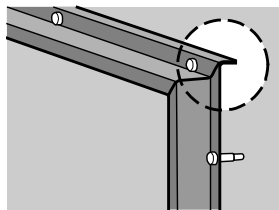
**NOTE:** If there is any residue left on the glass from the plastic wrap packaging of the fireplace, it must be cleaned using any standard glass cleaner prior to operation.

*NOTE: If the glass gasket requires a replacement, call your nearest Escea agent, who will ensure the part is replaced with the correct type. In the event that the glass is broken by impact, purchase the replacement from an authorised Escea agent only.*

Confirm the appliance is working correctly by lighting it 2 or 3 times to ensure correct operation and smooth ignition. Also confirm that both the flue and the room duct fans are running correctly.

#### **NOTE WHEN REPLACING THE GLASS**

When replacing the glass, note that the metal flange shown to the right must be on top or the glass will not fit correctly to the fireplace.



### F4 Wall Lining

Commence with the final wall linings only after the above sections are completed.

The appliance and all corresponding ducting needs to be adequately covered (both sides if double sided) to prevent plasterboard and building dust from entering the ducting system during completion of the wall lining.

Wall lining cutout dimensions around the glass must be adhered to.

Please refer to section “**B8 Mantle Clearance**” on page 13 for wall finishing dimensions surrounding glass.

Ensure the air inlet gap surrounding the glass is maintained. The glass frames must still be able to be removed after wall linings installed.

A

B

C

D

E

F

G

SERVICE

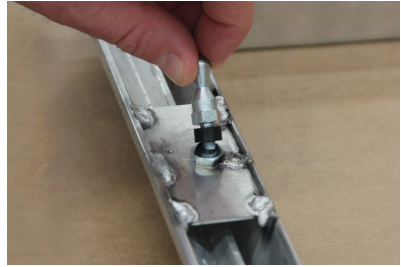


## F5 Fitting the Fascia Panels

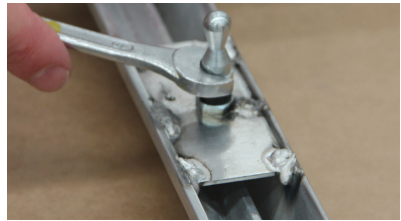
To avoid scratches or knocks to the fascia panels of this heater, they must be fitted at the conclusion of the installation process, after wall linings are in place.

*NOTE: Never rub the fascia.*

Step 1: Ensure the plastic spacer is placed on the thread of the studs.



Step 2: Screw and tighten the 4 studs with spacers onto the back of the fascia.

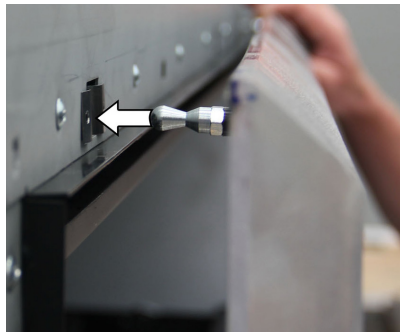


Step 3: Rivet the 4x spring clips onto the chassis of the appliance as shown



Step 4: After the 10-15mm thick wall has been finished, the fascia clips onto the appliance as shown.

*NOTE: wall linings larger than 10mm may require the 'Linear Trim' available from your local dealer to hide any exposed wall lining.*



A

B

C

D

E

F

G

SERVICE

## F6 Locating Wall Mount Cradle for Wireless Control

The appliance's remote contains the thermostat that will sense the room temperature and communicate this back to the heater via radio frequency.

A wall mount cradle has been provided for the wireless control and, where possible, the control should be housed in this cradle.

The location of this cradle should be decided by taking into account the following factors;

- Simple, convenient access for the user
- Away from air flow and drafts through the room
- Located in the parts of the room that people are likely to spend time
- Away from direct sun light
- A suitable distance away from the heater
- Ideally 1.2m to 1.5m from the floor



The radio frequency signal will go through some walls but for best results Escea suggest that the cradle position is less than 10 metres away from the heater.

The best height off the ground to locate the cradle is about chest height. This gives a good average room temperature and easy access for the user.

Please ensure that the cradle is screwed firmly onto the wall using the screws provided.

## F7 Operating the Appliance

If you haven't done so already, insert the supplied "AA" size batteries, being careful of the polarity.

You should now see on the display of the remote the time showing "0:00".

To turn the fire on, press the "POWER" button once, and within a few seconds the appliance will begin its startup sequence.

*NOTE: The appliance begins its startup with a 15 second pre-start purge, where the combustion fan runs on its own to clear the firebox before it tries to ignite. During the pre-purge the remote will alternately show the remote's "Set" temperature and a rotating segment indicator to show that the fire is in start up mode and will try to ignite.*

When the appliance has lit, set the room temperature by pressing the 'PLUS' or 'MINUS' buttons repeatedly until the display is showing the desired temperature. The remote will then revert back to the 'current' room temperature 30 seconds after making the change.

Run the appliance on full for an hour with the windows and doors open in the dwelling. This will ensure any running-in smells have the chance to dissipate.

The appliance is turned off by pressing the “POWER” button once more. The remote will display the time only.

Run the appliance again and check the operation of the thermostat by increasing and reducing the set temperature. Check the Flame Effect function and the Fan Boost functions work correctly.

For further operation instructions please refer to the User Guide.

### Final checklist

- Run the appliance on full for an hour with the doors & windows open
- Dwelling owner shown how to operate the appliance correctly
- Warranty card filled in with installer details and appliance serial number
- User Guide made available for dwelling owner
- Plumbing Industry Commission Compliance Certificate given to dwelling owner

A

B

C

D

E

F

G

SERVICE

## F8 Normal Operating Sounds and Smells

*Note: Each time the fire is lit from cold the glass may fog up with condensation. This is normal and the condensation will disappear within a few minutes once the glass heats up.*

### Sounds

It is possible that you will hear some sounds from your gas appliance. This is perfectly normal due to the fact that there various types of materials used within your appliance. Listed below are some examples. These are all normal operating sounds and should not be considered as defects in your appliance.

#### Fan

Escea gas appliances use electric fans to push heated air into the room. It is not unusual for the fan to make a “whirring” sound when ON. This sound will increase or decrease in volume depending on the speed setting of your fan.

#### Gas Control Valve

As the gas control valves turn ON and OFF, a dull clicking sound may be audible, this is the normal operation of a valve. When the fire is switched off after being run for a while, there may be popping and fluttering noises as the residual gas in the burners burns away. These are normal and should be no cause for concern.

#### Unit Body/Firebox

Different types and thicknesses of steel will expand and contract at different rates resulting in some “cracking” and “ticking” sounds being heard throughout the heating and cool down processes.

### Smells

The first few times the unit is operated, the unit may release an odour and the flames will appear orange due to: the curing of the paint, the burning off of the starch in the gas logs and the oils in the metal. This is a temporary curing process which will disappear with use.

A deposit on the inside of the glass, caused by the starch in the logs, may appear as a build up after several uses. If this film is not removed, it will bake on and may become difficult to remove. When the glass is cold, remove it (see section E7 on page 31) and clean the inside with a non-abrasive cleaner.

**DO NOT ATTEMPT TO CLEAN THE GLASS WHILE IT IS HOT.**

**UNDER NORMAL USE, NEVER OPERATE THE UNIT WITH THE GLASS REMOVED.**

## END OF SECTION F

By the end of this section, you should have:

- A completely fitted fascia
- The remote control mounted on its cradle on a wall
- Operated the fire and verified that it lights reliably and safely
- Run the appliance on full for an hour with the doors & windows open
- Checked the operation of the thermostat, Flame Effect & Fan Boost functions

# G Installation Checklist

Go through the following checklist to ensure you have installed the appliance correctly

- Correctly sized cavity to suit your fascia and flue configuration
- Correct clearances to combustibles and mantles around the fascia
- An electrical isolating switch to the appliance, accessible after finished installation
- Correctly sized gas supply with a pressure test point, ensuring adequate supply with all other gas appliances in the dwelling running
- A weather-tight installed horizontal or vertical powerflue terminal with clearance as specified by AS/NZ5601.1
- If chosen, reasonable access to the outside face of the horizontal powerflue wall terminal for maintenance purposes and flue attached to the rear of the horizontal powerflue wall terminal leading back to the appliance (and similar for vertical powerflue terminals)
- The electrical cable from the powerflue terminal attached correctly and run back to the appliance cavity in an electrically safe manner
- The appliance fixed to the cavity base
- The appliance plugged into a mains electricity supply
- All gas joints and pressure points leak tested, and suitable leak detection solution and drop tests completed on gas pipework
- Fuel bed correctly installed
- Glass correctly fitted
- Operated the fire and verified that it lights reliably and safely
- Appliance functions checked, including thermostat operation, Effect Only, and Fan Boost
- Data label marked up with correct gas type, and dated by installer if converted during installation

A

B

C

D

E

F

G

SERVICE

## IMPORTANT:

- This appliance must be serviced every 12 months.
- Any service operation should be carried out only by a suitably qualified and trained person.
- Gas and electricity supply **MUST** be isolated before any service operation is carried out on this appliance.
- This manual should be left with the appliance.
- **DO NOT MODIFY THIS APPLIANCE.**

## S1 Annual service procedure




- Isolate power and gas supply to fire.
- Remove front glass and clean inside of glass.
- Remove fuel bed and brush off any soot.
- Clean electrode and pilot hood of any carbon build up and ensure correct gaps between electrode and pilot hood
- Remove burners and blow compressed air through the burner ports.
- Remove jets and clean injector hole with solvent.
- Vacuum any dust from the cavity that houses the fan and from the underside of the fire box around the valve and solenoids.
- Test all joints for gas tightness.
- Reassemble heater and check that operating pressure is correct.
- Check glass sealing tape and replace if necessary.
- Check to make sure that flue system is intact and not in any way blocked.
- Trial heater with several start/stop cycles and trial fan-boost, flame effect only and thermostat modes to ensure that all modes function correctly.

To access the product Dataplate, first remove the fireplace glass, any fuelbed media, the burners and the firebox base. An access panel is located to the side of the bottom of the firebox, the dataplate is located underneath this access panel.

## S2 Error Codes

This gas fire has been designed to show error codes to help explain and identify any fault situation that occurs. These codes will appear on the wireless remote control in the form of a large letter “E” with a number beside it. Codes can normally be reset by turning the heater off then on again at the wall.

The following table shows what each code means and possible ways to rectify the situation. In the case of persistent or repeated shutdown errors, action must be taken immediately to find and repair the fault.

Error Code	Suggested action
 Electronics Over Temp	<p>The electronics have gone over temperature.</p> <ul style="list-style-type: none"><li>• Check for excess lint and dust build-up on the PCB/Controller.</li><li>• Ensure correct gaps are present around glass.</li><li>• Room air fans may be slowed or stalled. Remove firebox, check that fans are plugged in, clean, and free turning.</li></ul> <p><i>Note: This error has a permanent lock out and will require the unit to be reset after the initial error (turning the power to the fire off “at the wall” then on again after a few seconds).</i></p>
 Flame Failure or Power Flue trip	<p>The fire has tried to light three times and failed.</p> <ul style="list-style-type: none"><li>• Check gas supply and check other gas appliances to see if they are affected. If you have two separate LPG cylinders, switch over to the full bottle or contact your gas supplier. You may need to retry igniting the fire a few times after re-establishing gas supply.</li><li>• Check correct gas pressure to the appliance with all other appliances running.</li><li>• Check the electrode placement in relation to the pilot flame. Ensure it is well enveloped in flame as per the diagram in the installation instructions. Ensure no small coals have dropped onto the ignition electrodes between the burners.</li><li>• Ensure the electrode is not contacting any metalwork including the burners and has the correct air gap.</li></ul>
 Appliance Over Temperature Sensor Trip	<p>The bimetallic snap disk mounted on the exhaust collector box has tripped.</p> <ul style="list-style-type: none"><li>• Check that fans are plugged in, cleaned, and free turning - room air fans may be slowed or stalled. Check Duct fan temp sensor and TCO both accessed through hatches in top of firebox internally</li><li>• Check the regulator -being set too high may result in excess heat build-up.</li><li>• Check flues are securely connected at both ends - if the inlet flue is not connected the appliance may draw warm air from the cavity.</li><li>• Check the jets</li></ul>



Valve Solenoid  
Check Failure

The valve solenoids have failed the pre-ignition test. A wire may have dislodged or the valve solenoid is faulty.

- Check that the connections to each solenoid are secure and in place. The connections on the ends of the wires may need to be tightened (e.g. with a pair of pliers) to ensure a robust connection to the valve terminal.
- Disconnect and reconnect the firebox connectors ensuring they are firmly pushed into place.
- One of the solenoids on the valve inside the fire may have failed. If this is the case, the valve will need to be replaced.



Remote Cannot  
Communicate  
with Fire

The remote cannot communicate with the fire.

- Check if the fire is turned off “at the wall” i.e. a loss of power to the fire or the remote is outside of its effective radio frequency range (too far away from the fire). Typical remote range is 1m to 10m.
- Ensure there is power to the fire by pressing the auxiliary on/off (red) button on the fire, then press the on/off button on the remote to clear the error.



Duct Air Over-  
temp

The hot air duct temperature sensor has detected excessive heat at the duct outlet.

- Ensure that there are at least THREE air vents installed and open; TWO must be in the same room as the fireplace.
- Ensure the duct fan is operating when the fireplace is running. If not, check that the duct fan cord is plugged into the fireplace.



Combustion Air  
Flow Error

- Check whether the pressure switch is activating at startup (there is an orange indicator LED in the control tray). If not, check that the pressure switch electrical connection is correct.
- Check that the hoses are connected at both ends. Ensure the hoses are not kinked.
- Ensure the pressure switch is mounted vertically and the diaphragm is operational. The black hose should be connected to the low pressure port and the translucent to the high pressure port
- Check that both flues are securely connected at both ends to the appliance and the powerflue wall terminal and that the flue is not damaged
- Check that the fan inside the powerflue wall terminal is running during startup. This fan may need servicing if it is slowed or stalled.



## S3 Cleaning the Fuel bed, Fascia, and Glass

### ALWAYS USE GLOVES WHEN HANDLING THE FASCIA AND GLASS.

The outside of an Escea Fascia must only be cleaned with a soft microfibre cloth. If heavier cleaning is required for the likes of grease or stubborn fingerprint removal we recommend the use of a dedicated stainless steel cleaner for stainless steel fascias or warm soapy water for powder coated fascias.

### NEVER RUB THE FASCIA.

#### For Stainless Steel Fascias:

1. Ensure that the Gas Fireplace is off and that the fascia is cold to the touch.
2. Using the gloves provided with your fascia, a stainless steel cleaner and a clean cloth, apply a small amount of cleaner to the cloth and wipe the fascia with even, straight strokes.
3. Make sure your strokes follow the direction of the grain or brush finish. Wiping across the grain can leave small scratches.
4. The cleaner may leave a very fine film over the fascia, ensure this film is distributed evenly.
5. If the film is applied too heavily and is quite visible, you can remove the excess by gently wiping dry with a microfibre cloth. Ensure your strokes still follow the direction of the grain or brush finish.
6. Ensure that no film is applied to the glass of your Escea Gas Fireplace. If applied accidentally, wipe off with an absorbent microfibre cloth.

#### For Powder Coated Fascias:

1. Ensure that the Gas Fireplace is off and that the fascia is cold to the touch.
2. Using the gloves provided with your fascia, gently clean the fascia with a cloth and warm soapy water.
3. Wipe off with an absorbent microfibre cloth.

This is a service procedure that will need to be carried out whenever soot builds up on fuelbeds and/or inside of glass.

If soot build up becomes excessive or regular then one of the following actions may be required:

- Reset gas pressure- pressure may be too high;
- Reposition fuelbed- check with specific fuelbed instructions for details;
- Clear any blockage from primary aeration port of burner;
- Check flue tube is not damaged or disconnected;
- Check exhaust fan is operating and cowl is not blocked in any way.



**Step 1:** Remove fascia panel (if fitted) by pulling it from the wall.

**Step 2:** Remove the glass. Using the supplied 3mm Allan Key (hex drive) unscrew the bolts around the glass retainer.

Take care that the glass and frame do not fall forward at this stage.

***This is a two person lift.***

Pull the top of the frame toward you slightly and lift the glass and frame out and away from the fire. Hold the glass and take care that the glass does not fall from the frame. Place the glass and frame carefully aside.

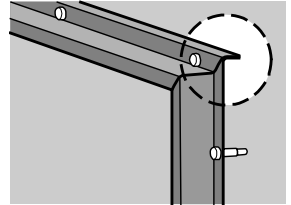
**Step 3:** Take out fuel bed and gently clean away any soot from fuelbed with a soft hearth brush. The burner tops and fuel media tray can be vacuumed to remove any excess material.

**Step 4:** Clean the inside and outside of glass with normal glass cleaning products. Use a CLEAN, DRY cloth only. Stubborn marks may be cleaned with a ceramic glass cleaner.

**Step 5:** Reinstall fuelbed media and glass; test run the heater.

#### NOTE WHEN REPLACING THE GLASS:

When replacing the glass, note that the metal flange shown to the right must be on top (not the bottom), or the glass will not fit correctly to the fireplace.



## S4 Checking Operating Pressure

**WARNING: The regulator that is supplied with the fire MUST NOT BE REMOVED.**

**Removal of the regulator, or replacing it with one not intended for use with an Escea fire, will void the limited appliance warranty.**

By law, the original installer has supplied a test point prior to the appliance. With all gas appliances within the house running on full, including this DX1500, check the inlet pressure upstream of the appliance. It must conform with the table in section E10 on page 34.

To check the operating pressure, remove one burner and place your manometer hose onto the jet spigot, as shown. Ensure you place the manometer well away from the other burner as this will get hot.



## S5 Replacing a Remote Control

If the wireless control becomes lost or damaged, a new one can be ordered from any Escea retail agent. When you have the new remote, the following procedure needs to be followed to “teach” the remote to communicate with the fire.

1. Ensure the fire and remote are set to “OFF” (only the time is displayed on the remote).

2. While the remote is in its “OFF” mode with only the time showing on the display, press the MINUS, PLUS and FAN BOOST buttons simultaneously (as shown right) until the characters “03” light up on the display. Release the buttons and the remote will count down and display “GO”. The screen will then display all characters and should be reading 00. This will put the remote into test mode.

*NOTE: if the digits start counting then the remote is already paired.*

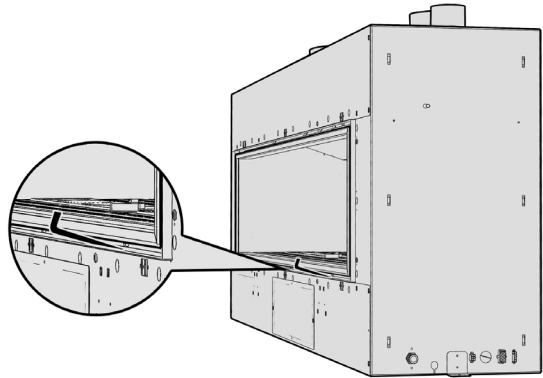
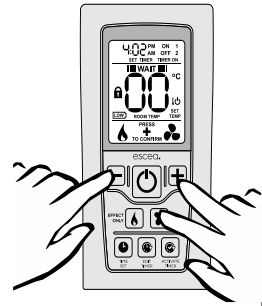
3. Press and hold the MINUS button until the two large temperature digits reading 00 start to flash slowly. Release the MINUS button. The remote control is now ready to be addressed to the fire.

4. Press and hold the auxiliary on/off button on the fireplace for a minimum of ten seconds, or until the two large temperature digits start counting upwards from 00 to 99 repeatedly.

*NOTE: Pressing the auxiliary button on/off button will start the fire. Once the remote control is counting the fire can be turned off by pressing the red auxiliary button again.*

5. Press the large power button in the middle of the remote control to exit the test mode and return to normal operation. The remote should only be displaying the time. Check the fire will start using the remote control by pressing the large power button. Turn it off again using the remote control.

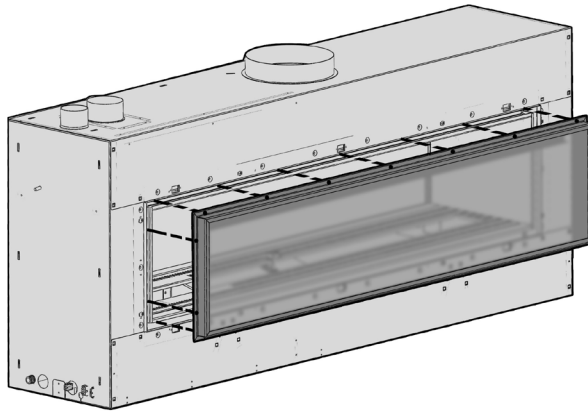
6. The fire is now connected to the new remote control.



## S6 Replacing the Burners

If a fascia is fitted, remove this first.

Using the supplied 3mm Allen Key (hex drive), remove the bolts around the glass retainer, ensuring that the glass does not fall forward.



Pull the top of the frame toward you slightly and lift the glass and frame out and away from the fire. Place the glass & frame carefully aside.

Remove all of the fuelbed, taking care not to damage any logs or media.

Remove the fuelbed tray from the fire box, by lifting one end up into the top corner and then out towards you. Take care not to scratch the firebox paint and lift out the burners. Place the replacement burner in the fire and double check that the burner collar matches your gas configuration (see section E9 on page 32).

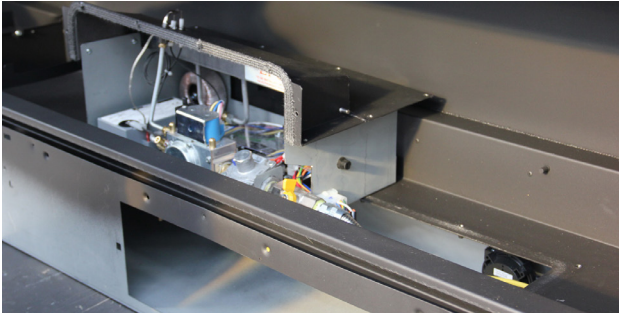


## S7 Accessing the Control Tray

Remove the screws in the bottom and the inner side of the firebox as per shown.



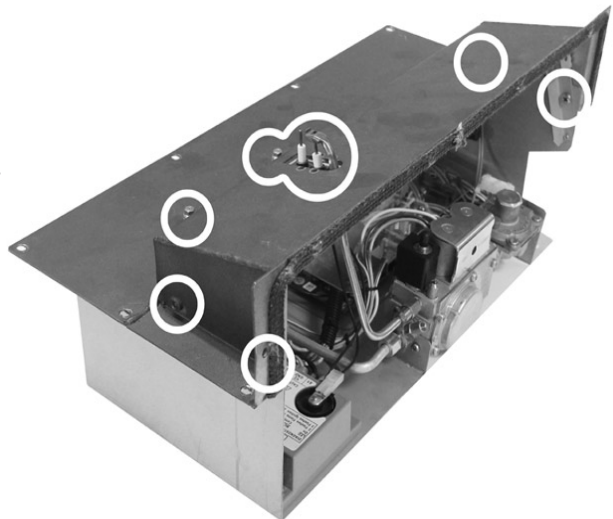
Remove the 'engine' by lifting up and to the left. This is still connected internally to the gas hose and power cables. Place engine just to the left within firebox as shown.



## S8 Removing the Circuit Board

**Step 1:** Remove the pilot cover and 2 jets circled to the right.

**Step 2:** Remove the 4 screws circled to the right from the inside and lift the cover upwards to remove it. This will give you easier access to the circuit board.



A

B

C

D

E

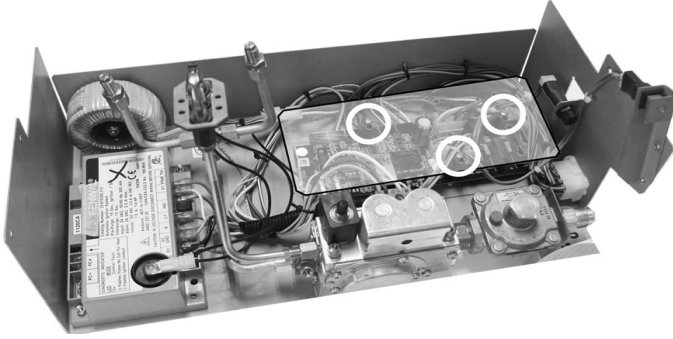
F

G

SERVICE

A

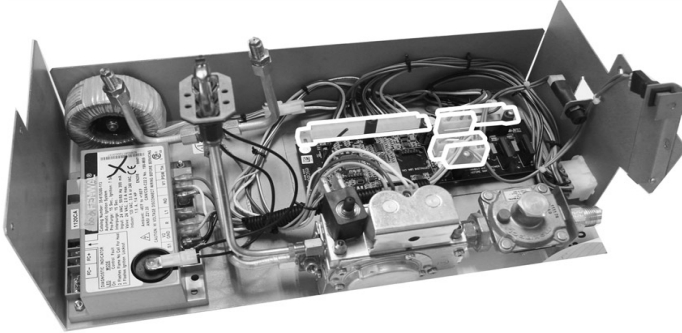
**Step 3:** Remove the clear plastic insulation cover from ontop of the circuit board by removing the screws circled below.



B

C

**Step 4:** Remove all 5 connections to the circuit board as highlighted below.



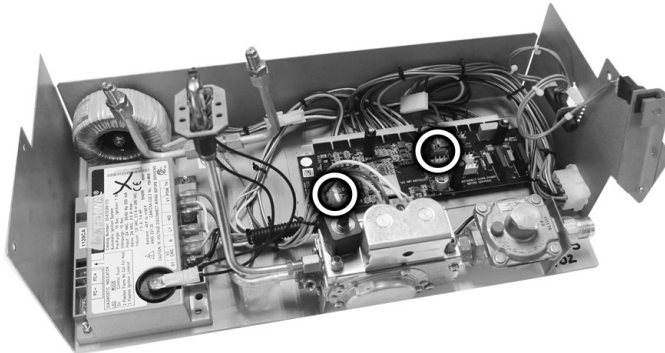
D

E

**Step 5:** Remove any screws securing the circuit board to the base and remove the circuit board. Take care that the black spacers underneath the board stay in place until the board is replaced.

F

G



Replace the circuit board (if applicable) and reverse these steps to re-assemble the engine.

SERVICE

## S9 Servicing the Horizontal/Universal Vertical Powerflue

Ensure the power to the powerflue is off by disconnecting the power to the appliance inside. If the appliance has been running, allow the powerflue to cool before attempting to service it.

### Servicing a Horizontal Powerflue:

If the powerflue needs servicing, the fan can be accessed from the outside of the installation for horizontal termination and accessed from within the roof space for vertical termination.

Undo the screws on the outside of the powerflue box and separate the two parts, giving you access to the fan inside.

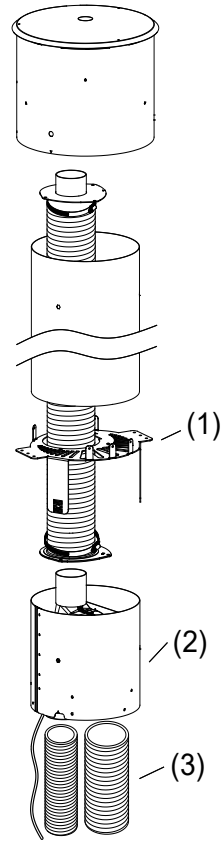
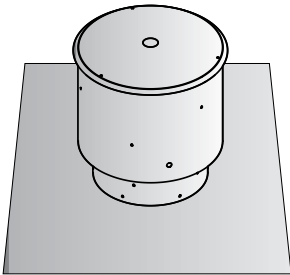
Removing this plate gives complete access to the fan for servicing or replacement. Check that all the seals are still intact. Check that the fan electrical terminals, motor, and impeller are not corroded. Ensure there are no signs of leakage in or around the terminal.

When reassembling the powerflue, line up the round silicon grommets with the outlet tube of the fan and push the cowl back into place. Ensure all seals are still in place and replace all of the screws to hold the cowl in the correct position.

### Servicing a Universal Vertical Powerflue:

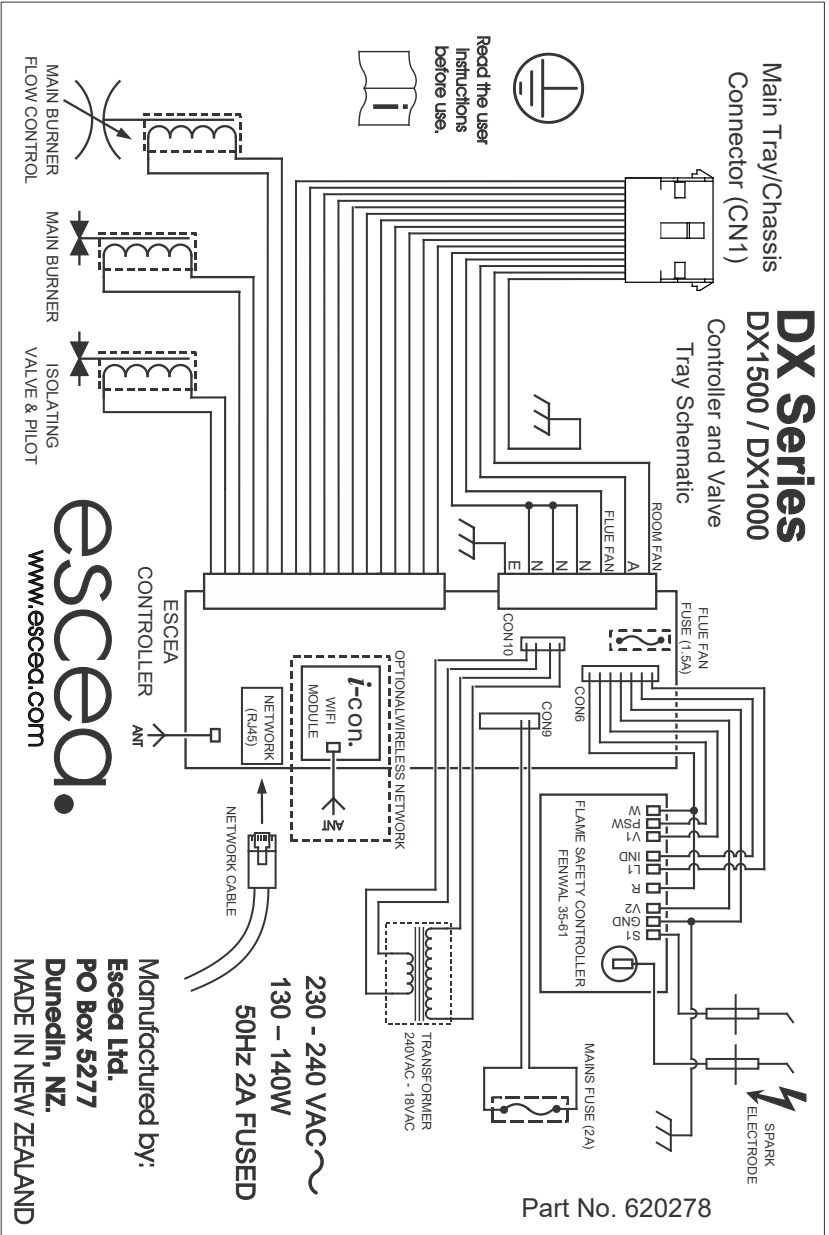
If the UVP is internally installed remove the unit (2 in the right hand image) and replace the complete fan unit.

If the UVP is externally installed the cowl/fan unit pictured below is to be completely replaced by removing it from the liner or flashing.



S10 Wiring Diagram

A B C D E F G SERVICE





SERVICE

G

F

E

D

C

B

A