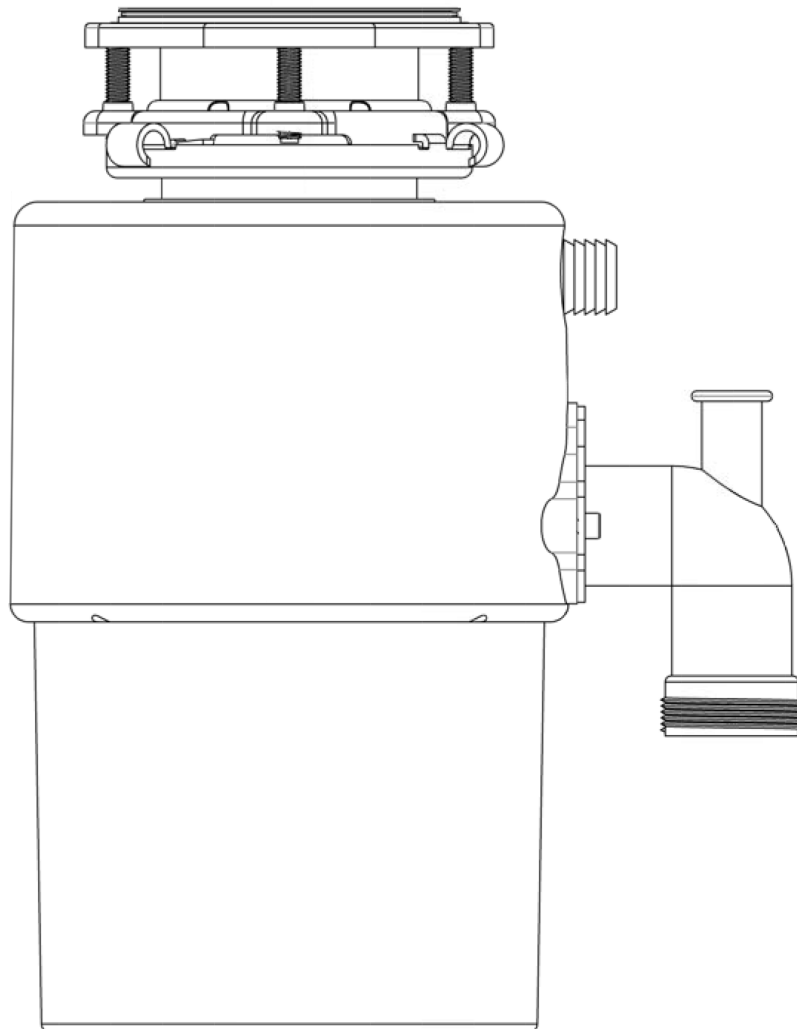


Description: **ROBINHOOD WASTE DISPOSAL UNIT**

Model Numbers: **SEN500Q, SEN500QA, SEN750QA**



# Contents

Congratulations!

Thank you for choosing one of our appliances.

Prior to first use, **YOU MUST** read through the complete user manual.

This provides important safety instructions, description of the product and the proper use of its functions.

To avoid the ever present risks involved with using an electrical appliance, it is vital that the waste disposer is installed correctly and that you read the safety instructions carefully, to avoid misuse and hazards.

It is important that you retain these instructions and your proof of purchase, along with any other important documents about this product, for future reference.

Due to continued product development, Robinhood reserves the right to alter product design, specifications or appearance, without notice.

Important Safety Instructions.....	1
Appliance Details .....	2
Installation Instructions.....	3-7
Operating Instructions.....	8
Maintenance.....	9
Warranty Certificate (New Zealand).....	10

## Disposal Information

- Most of the packing materials are recyclable. Please dispose of these materials through your local recycling depot or by placing them in appropriate collection containers.
- If you wish to discard this product, please contact your local authorities and ask for the correct method of disposal.

## Important Safety Instructions

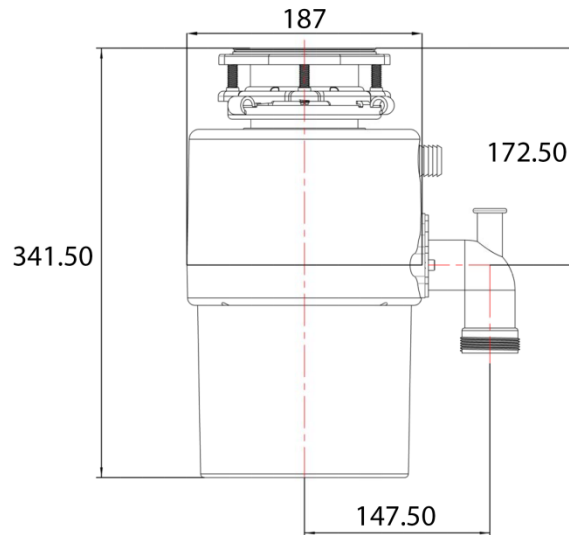
**IMPORTANT:** Read the assembly instruction section and safety precautions of this booklet carefully before removing the contents of this carton.

1. Do not put fingers or hands into the waste disposal unit.
2. This appliance is not intended for use by persons (including children) with reduced physical, sensory or mental capabilities, or lack of experience and knowledge, unless they have been given supervision or instruction concerning use of the appliance by a person responsible for their safety.
3. Children must be supervised to ensure that they do not play with the appliance.
4. If the supply cord is damaged, it must be replaced by the manufacturer, its service agent or similarly qualified persons in order to avoid a hazard.
5. The appliance must be installed so that reset button is easily accessible.
6. To reduce the risk of injury, close supervision is necessary when an appliance is used near children.
7. When attempting to remove objects from the waste disposer, please use long-handled tongs or pliers.
8. When not operating the disposer, leave the stopper in place to reduce the risk of objects falling into the disposer.
9. Do not use the disposer before the splash guard is in position.
10. Cleaning and maintenance shall not be done by children without supervision.

## Appliance Details

<b>Voltage</b>	220-240V ~50-60Hz
<b>Power Rating</b>	SEN500Q: 370W
	SEN500QA: 370W
	SEN750QA: 600W
<b>Hp Rating</b>	SEN500Q: 1/2Hp
	SEN500QA: 1/2Hp
	SEN750QA: 3/4Hp
<b>IP Rating</b>	IPX4

### Dimensions



*\*All dimensions in mm.*

### Tools that you may need:

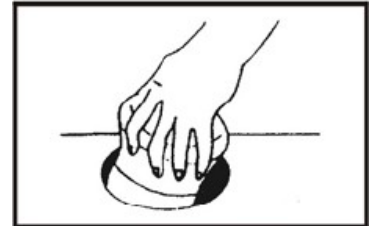
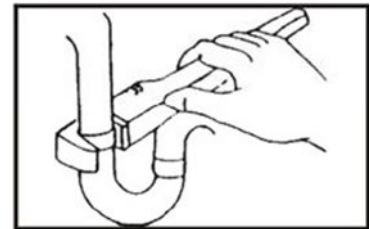
1. Pipe wrench
2. Hacksaw
3. Plumber's Rod
4. Phillips screwdriver
5. Rubber mallet
6. Electric switch(not less than 16A)

# Installation Instructions

## Remove the old Waste Disposal Unit or Sink Waste Reducer

If you have an old waste disposal unit installed, you will need to remove it first. If your existing waste disposal unit contains instructions for removal, please follow them. Otherwise, please read the below:

Disconnect the drain where it connects to the old disposer's waste pipe. Then dismount the disposer from the sink mounting assembly. Finally, remove the sink flange from the topside of the sink.



### If removing a sink waste reducer:

If your sink is equipped with a sink waste reducer instead of a waste disposer, remove the nut or threaded ring holding the waste reducer in place. If a hole needs to be cut in the sink, it should be 87-92mm in diameter.



Push the waste reducer up through the drain opening.



If the drain opening on your sink is covered with sealant, remove as much of the sealant as possible from the rim of the sink drain hole. Be sure that the existing trap and drain lines are clear. If the drain line is not clear, use a plumber's rod or auger to remove all impediments.

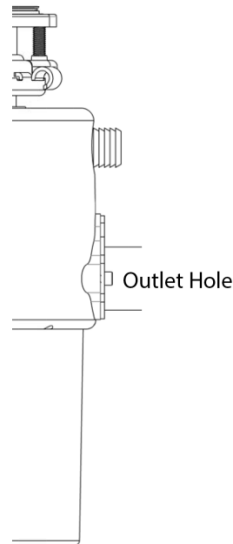
# Installation Instructions

## Attaching the Outlet Pipe

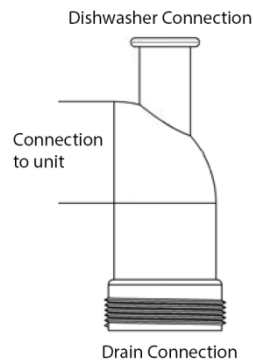
**Note:** This **MUST BE DONE** before installing the waste disposer.

Check inside the disposer to make sure that no foreign objects are inside the grinding hopper.

Insert the outlet pipe rubber seal into the outlet hole with the screw holes lying **HORIZONTALLY**.



Place the mounting plate over the large, non-threaded end of the outlet pipe. Firmly insert this end of the outlet pipe into the rubber seal, aligning it so that the small dishwasher connection is on the top.

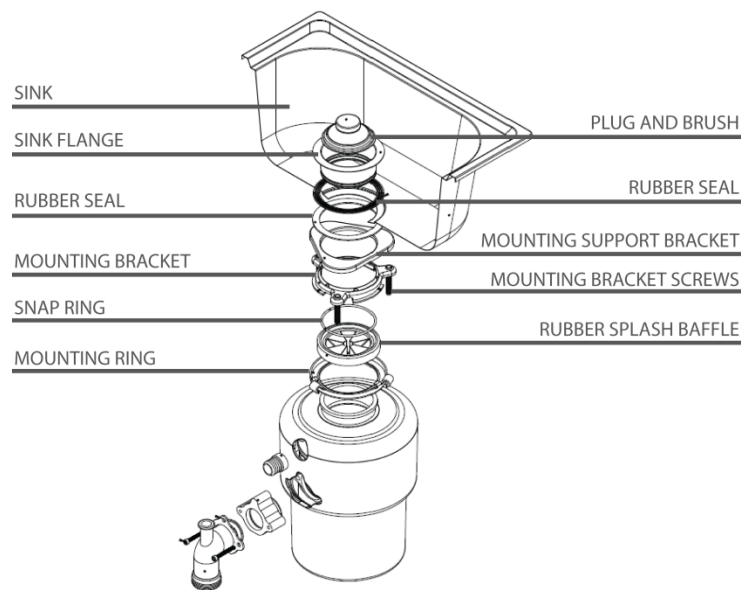


Use the two hex screws to fasten the mounting plate to the body of the unit. Hand-tighten evenly and ensure there are no gaps.

**DO NOT OVER-TIGHTEN.**

# Installation Instructions

## Securing the Sink Flange



1. Disassemble all the components from the stainless steel sink flange assembly (Part #2) and triple point mounting bracket (Part #3), excluding the splash baffle (Part #5), from the main waste disposal body. First, unscrew the mounting ring (Part #4) that holds the stainless steel sink flange and the main body together. Hold the triple point mounting bracket from the top, and turn the mounting ring clockwise while turning the sink flange anti-clockwise.
2. Once the mounting ring is unhooked, the sink flange can then be removed from the main unit.
3. Turn the sink flange upside down, and using a Phillips-head screwdriver, unscrew the three screws from each part of the mounting bracket. Set these carefully aside (they will be required again in step 7). The mounting bracket can then be moved vertically.
4. Using a flat head screwdriver, remove the snap ring by maneuvering one end over the 'lip' at the base of the sink flange. Once the snap ring is removed, the rest of the mounting bracket can be disassembled.
5. Insert one rubber seal over the sink flange, and then insert the sink flange and seal into drain opening from the top side of the sink (it is not necessary to use plumber's putty when installing the sink flange).
6. Insert the second rubber seal from the underside of the sink over the sink flange, followed by the triangular-shaped mounting support bracket, and then the mounting bracket itself (the part that held the screws removed at step 3). Once these parts are on the sink flange, re-attach the snap ring over the bottom end of the sink flange to hold all components in place.
7. Take the screws removed earlier at step 3, and re-screw these vertically into the mounting bracket, taking care to align the 3 screws with the 3 distinct triangular points on the mounting support bracket. Tighten the screws evenly to ensure the mounting bracket and the mounting bracket support is sitting level and parallel.

To ease the installation process, make sure to leave the rubber splash baffle attached onto the main body.

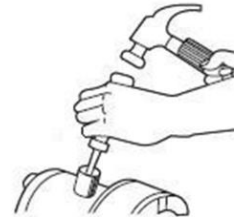
**NOTE:** Failure to use all supplied gaskets and seals or to mount the unit straight may mean that the unit does not fasten tightly to the sink. Incorrect installation may result in the unit leaking, and is not covered by warranty.

# Installation Instructions

## Remove Dishwasher Connection Plug (Optional)

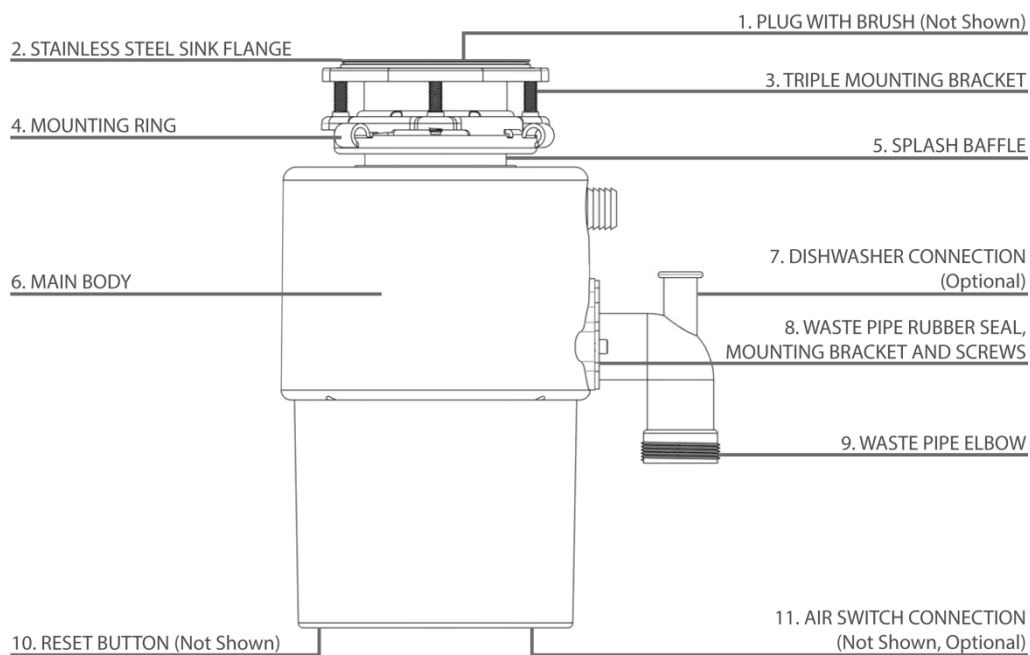
If you plan on connecting your dishwasher drain pipe to your waste disposal, remove the plug in the dishwasher drain connection opening with the help of a screwdriver and a rubber mallet. Remove the plastic plug from the inside of the disposer by holding the disposer upside down and allowing the plastic plug to fall out. Ensure all parts are removed.

The dishwasher drain outlet on your Robinhood waste disposal will accept a 22mm drain hose. Fasten the connection tube in place with a hose clamp.



## Mounting the Disposer

1. The rubber splash baffle should be attached to the main body of the waste disposal and not the sink flange. Using two hands, lift the main body upwards so that the splash baffle is sitting just under the bottom mounting bracket.
2. Lift the mounting ring slightly, and align the 3 lugs on the mounting ring with the lowest point on the 3 sloped sections of the mounting bracket. Turn the mounting ring anti clockwise and the main body will begin to tighten against the mounting bracket. Once engaged the disposer will hang freely by itself.
3. Align the main unit so the waste outlet is able to be connected to the house plumbing. If the position is wrong, re-do step 2, taking care to align the main unit appropriately before tightening the mounting ring.
4. The appliance must be installed so that the reset button located under the unit is readily accessible.

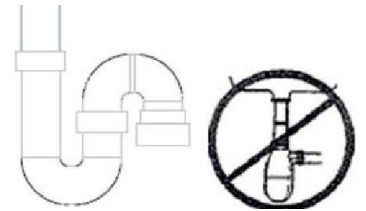




# Installation Instructions

## Plumbing Connection

1. Connect the pipe to the waste drain line. (NB: U-trap or P-trap should be used, rather than a ball trap). Plumbers tape is recommended to ensure a proper seal.
2. If fitted to a double sink, the use of separate traps for the disposer and the sink is recommended.



**SAFETY NOTE: THE GRINDING TURNTABLES ARE EXPOSED UNTIL THE WASTE PIPE IS ATTACHED. DO NOT POWER UP THE UNIT UNTIL ALL PIPES ARE CONNECTED.**

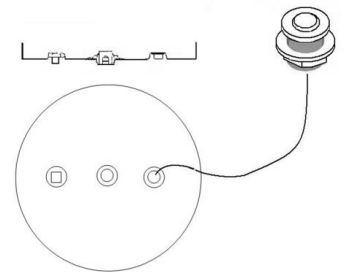
## Dishwasher Connection (Optional)

If you plan on connecting your dishwasher to your disposer, you should have already punched the plug out of the dishwasher drain connection tube (see the 'Remove Dishwasher Connection Plug' section on the previous page). The dishwasher drain outlet on your disposer will accept a 22mm drain hose. Fasten the connection tube in place with a hose clamp.

## Air Switch Option (SEN500QA and SEN750QA Only)

To install the push button air switch proceed as follows:

1. Drill a 35 mm wide hole in the kitchen work top or corner of the sink at the most convenient point for use.
2. Unscrew the mounting ring of the push button bellows. Remove rubber washer.
3. Insert the push button bellows through the hole.
4. Position rubber washer on the thread of the push button bellows, then tighten the locking ring until the washer is held firmly against underside of the worktop or sink. Attach one end of the air tube over the spout of the push button bellows.
5. Unscrew the black hexagon adapter on the underside of the main waste disposal unit.
6. Insert the end of clear tube through the adapter and then over the male connector of the air switch on the waste disposal and tighten the two together.
7. Push button to test waste disposal.



Your food waste disposal unit is now ready to use.

**Warning:** Do not use abrasive or aggressive cleaners to clean the push button bellows.

## Electrical Connection

Your waste disposer is equipped with a pre-wired power cord. Simply plug in it. Electrical connections should be done by a registered electrician. The waste disposer is equipped with an approved 3 pin plug. The correct socket (with earth connection) should be mounted in the cupboard under the sink. Power to the socket must be controlled by an approved wall switch positioned a minimum of 500mm from the sink. The unit shall be connected to a 220-240V 50-60Hz voltage supply.

## Testing

Once you have successfully connected your waste disposal, it is ready for use. However, it is still necessary to ensure all your connections are secure.

A test run must be carried out to identify any immediate faulty connections or leaks:

1. First, turn on the cold water to a medium-high flow, allowing the water to flow through the waste disposer.
2. Check to see if there are leaks in the plumbing connections or waste disposer.
3. Now, turn on the waste disposer and recheck all connections for leaks or loose joints.
4. If at this point you see no leaks or loose joints, your waste disposer is safe for use.
5. Turn off your waste disposer first and then the water supply.

# Operating Instructions

Your waste disposer has anti-clog impellers. When it starts, you may hear clicking sounds. This is normal.

1. Remove the sink drain plug.  
Turn on and adjust the tap for a medium-high flow of water. Allow the water to keep running.
2. Press the switch to activate the waste disposer.
3. Begin putting food waste into the waste disposer.  
Please cut bigger bones, melon peels, maize husks, etc. into smaller pieces before putting them into the waste disposer.  
This will ensure that the unit keeps working effectively.  
The disposer may take longer to process larger and tougher items.
4. Before turning off the waste disposer, let it and the water to continue to run for about 30 seconds to ensure all the waste has been flushed down into the drainpipe.
5. Hot water should not be used whilst the disposer is running.  
Cold water will keep food wastes and grease in a solid condition and later clean them out.



## Items to Avoid

Please do not put the following items into the waste disposer as it is not designed to handle them:

- Cans
- Glass
- Bottles
- Bottle caps
- Porcelain
- Leather
- Cloth
- Rubber
- Thread
- Oyster shells
- Feathers
- Plastics
- Drain cleaner
- Large, whole bones
- Whole corn husk

## Hints

1. If the waste disposer is connected to the dishwasher drain pipe, please ensure that no food wastes are inside the waste disposer before using your dishwasher. This is to ensure that the dishwasher drains properly.
2. While not operating the disposer, please place the sink drain plug in position in case kitchen utensils or other objects fall into the waste disposer.
3. Please cut bigger food wastes into small pieces to ensure high working efficiency.
4. The volume of water should not be lower than 4 litres per minute.

## Maintenance

With normal usage your disposer should not require any special care.

The motor is permanently lubricated and will not require oiling under normal domestic conditions.

If used according to the operating instructions (page 8), your waste disposal unit should not require cleaning.

However, should any odour start to emanate, a tray of ice cubes will clean the grinding components.

Grinding a lemon (cut into quarters) will also give your disposer a fresh, clean smell.

### Self-service Wrench

If your waste disposer becomes blocked and stops, turn the unit off at the wall switch and remove the power plug from the wall socket.

Insert one end of the self-service wrench into the centre hole on the bottom of the waste disposer.

Work the wrench back and forth, until it turns one full revolution.

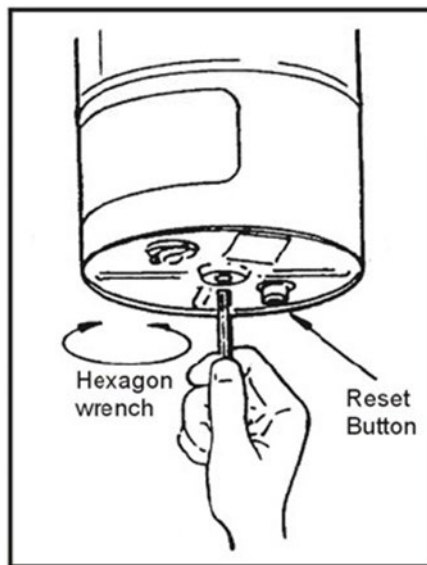
Remove all foreign objects from the waste disposer.

Re-insert the wrench into the centre hole and ensure it can turn freely.

Let the unit cool for 5 minutes then, press the red reset button.

Plug the power plug into the wall socket and switch on.

Start the waster disposer and operate as normal.



# Warranty Certificate (New Zealand)

## Terms and Conditions

The following conditions apply in respect of the warranty given in this certificate:

1. Monaco Corporation Limited ("Monaco") warrants the following Robinhood products against manufacturing defects and faulty materials, under normal use and subject to the exclusions in this certificate, for a period of:
  - Rangehood, Ovens, Cooktops, Dishwashers, Refrigeration, Waste Disposers - 24 months from date of original purchase for domestic use.
  - Uniduct - 12 months from date of original purchase for domestic use.
  - Ironing centre - 12 months from date of original purchase for domestic use.
  - Sinks sets- 5 years on stainless steel sink including draining bench from date of original purchase for domestic use, 6 months on all stainless steel accessories, including wire rack, colander and tray from date of original purchase for domestic use.
  - Laundry Tub - 5 years on stainless bowl, 24 months on Tap, Cabinet and other components from the date of original purchase for domestic use.

"Original purchase", when used in this certificate, means purchase by the customer directly from Monaco or one of its approved suppliers.

2. This warranty is limited to the repair or replacement, at our option, within the warranty period of any component part which we at our discretion determine to contain faulty materials or a manufacturing defect in breach of this warranty. This warranty is subject to terms and conditions set out in this certificate.
3. The warranty only applies within New Zealand.
4. The customer must produce the original invoice or other purchase documentation as proof of the original purchase date.

## Warranty exclusions

1. The warranty does not apply where, in Monaco's opinion:
  - The defect is caused by misuse, wear and tear, dirt, fire or accidental damage. The product has been repaired or serviced by an unauthorised person.
  - The product was not installed in accordance with our instructions.
  - The product was purchased overseas or was not designed for use in New Zealand. The product was not used, cleaned or cared for in accordance with our instructions.
  - The product was used outdoors.
2. In addition, this warranty does not extend to damage or defects which in our opinion, directly or indirectly arise from or are due to:
  - Exposing the product to acidic or corrosive materials or chemicals such as dyes, solvents, denture cleaner or acetone; Using inappropriate household cleaning products such as abrasive cream or powder cleansers, furniture polish, bleach, mentholated spirits, drain cleaners, sugar soap, metal pads and strongly alkaline or acidic cleaners;
  - Heat damage, including from washing the product at high temperatures;
  - Impact or mishandling the product, including the impact caused by objects scraped along, thrown or dropped on the product surface or excessive weight being placed on the product;
  - Structural or support changes in or affecting the building or the application where the product has been installed;
  - Failure to clean or maintain the product as recommended; or any other causes specified in the product information as being excluded from this warranty.
3. Variations with the colour or gloss within the product or any ageing or fading of colour, shine or gloss level over time are not covered by this warranty. The warranty does not cover visual imperfections or blemishes in the surface and edges of the product that were not brought to your supplier's attention at the time you inspected the product.
4. Costs incurred on installation or removal of a product, or any reinstallation of a product, or any associated costs, are not covered by this warranty.
5. Monaco will not be liable for consequential or indirect loss or damage whatsoever and however arising out of or in connection with the supply, performance or removal of the product, including (but not limited to) loss of profit, loss of revenue, loss of contract, loss of goodwill or increased cost of workings, even if due to the negligence of Monaco or any of its approved suppliers, employees or agents.
6. Charcoal filters and light bulbs are not covered by this warranty
7. This warranty and the statements contained in this certificate or other documents given to you do not exclude, restrict or modify the application of any term implied into this warranty by statute, provided that (to the extent any statutory provision permits Monaco to limit its liability for a breach of an implied condition or warranty) Monaco's liability for such breach is limited to the payment of the cost of replacing the product, repairing the product or acquiring an equivalent product.
8. Subject to clause 5, our obligations under this warranty are limited to those set out in this certificate, and this warranty is expressly instead of all other warranties, express or implied, including any implied warranty of merchantability or fitness for a particular purpose and notwithstanding any course of dealing between the parties or custom and usage in trade to the contrary.

Terms and conditions are subject to change.

### New Zealand

Monaco Corporation Ltd  
Telephone: (09) 415 6000  
Facsimile: (09) 415 7400  
Email: [customercare@robinhood.co.nz](mailto:customercare@robinhood.co.nz)  
[www.robinhood.co.nz](http://www.robinhood.co.nz)

### Australia

Shiro Australia Pty Ltd  
ABN 28 002 386 129  
Telephone: 1800 648 556  
Facsimile: 1800 628 577  
Email: [customercare@robinhood.com.au](mailto:customercare@robinhood.com.au)  
[www.robinhood.com.au](http://www.robinhood.com.au)