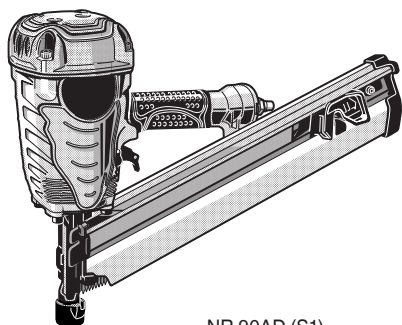


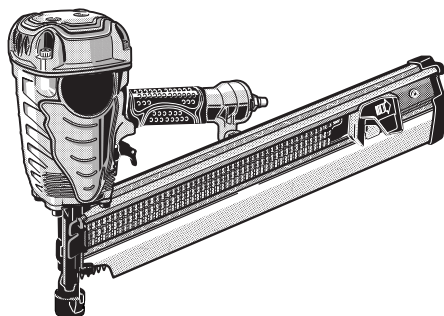
HIKOKI

**Strip Nailer
Streifen Nagler
Cloueur pour strips
Chiodatrice a stecca
Stripspijkerapparaat
Clavadora para strips
Runkonaulain
Нейлер**

NR 90AD (S1) • NR 90AE (S1)



NR 90AD (S1)



NR 90AE (S1)

Read through carefully and understand these instructions before use.

Diese Anleitung vor Benutzung des Werkzeugs sorgfältig durchlesen und verstehen.

Lire soigneusement et bien assimiler ces instructions avant usage.

Prima dell'uso leggere attentamente e comprendere queste istruzioni.

Deze gebruiksaanwijzing s.v.p. voor gebruik zorgvuldig doorlezen.

Leer cuidadosamente y comprender estas instrucciones antes del uso.

Lue ohjeet huolellisesti ennen käyttöö.

Перед использованием данного гвоздезабивного станка, ознакомьте пользователя с этой инструкцией..

Handling instructions

Bedienungsanleitung

Mode d'emploi

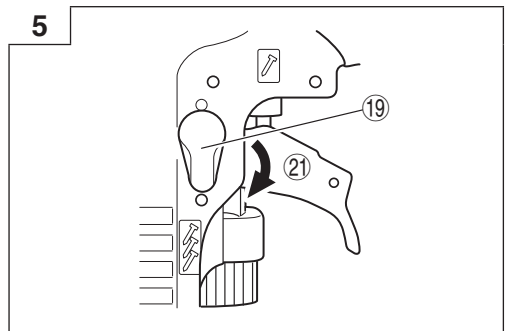
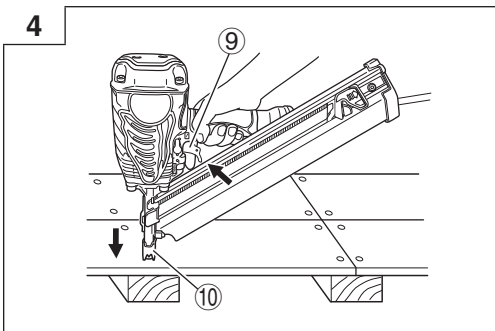
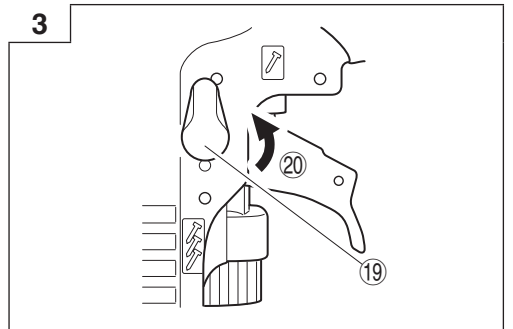
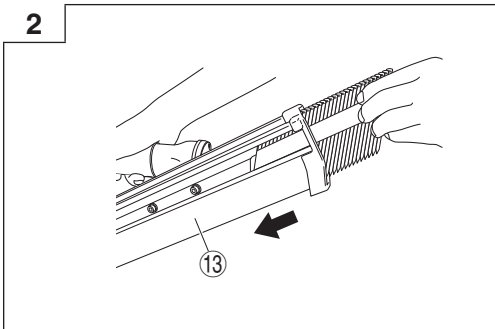
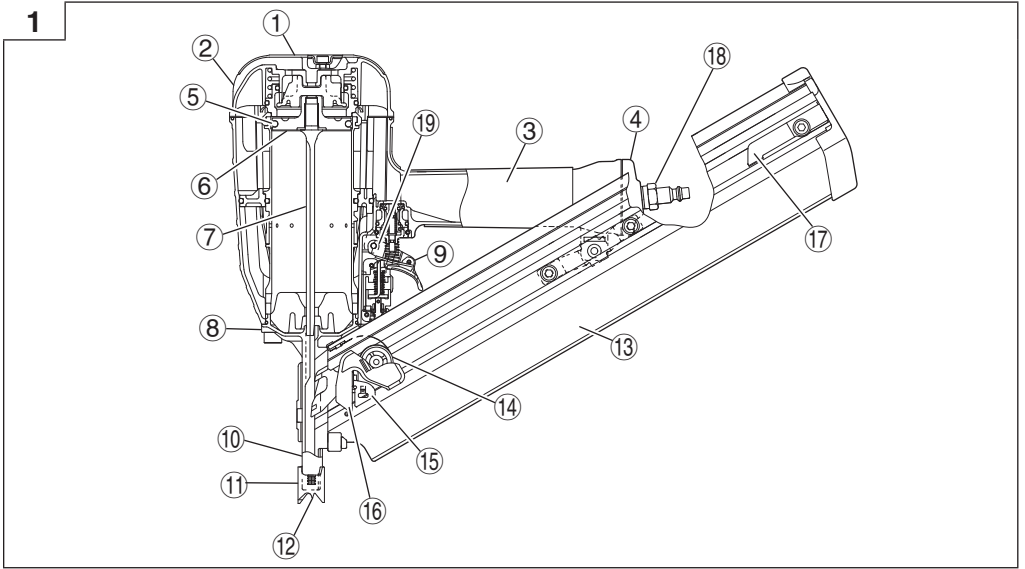
Istruzioni per l'uso

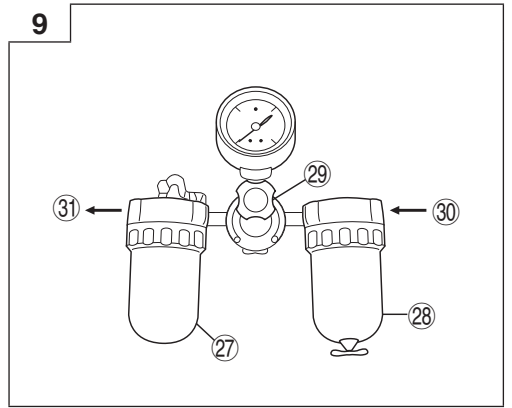
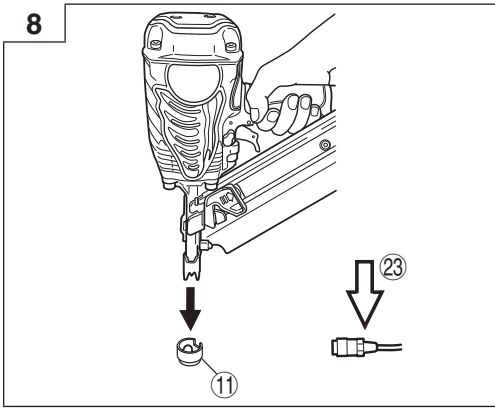
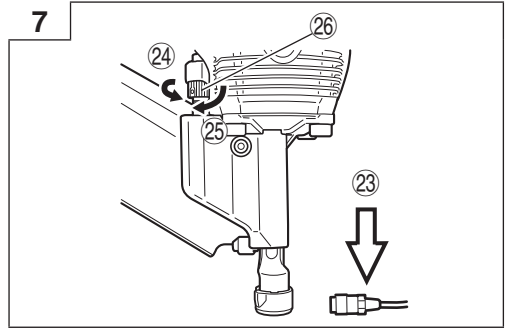
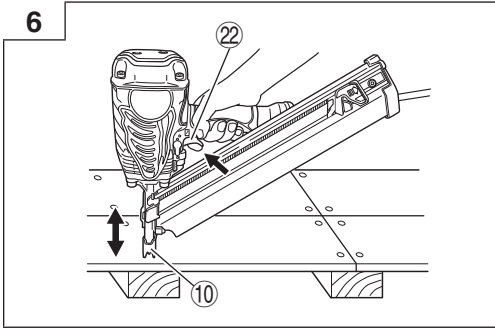
Gebruiksaanwijzing

Instrucciones de manejo

Käyttöohjeet

Инструкция по эксплуатации





	English	Deutsch	Français	Italiano
①	Head Guard	Obere Führung	Dispositif de protection de la tête	Dispositivo di sicurezza per la testa
②	Exhaust cover	Entlüftungsdeckel	Chapeau d'aération	Copertura scarico
③	Body	Körper	Corps	Corpo
④	Cap	Kappe	Capuchon	Coperchio
⑤	Piston O-ring	Kolben-O-Ring	Joint torique de piston	O-ring del pistone
⑥	Piston	Kolben	Piston	Pistone
⑦	Driver blade	Schraubenzieherklinge	Lame d'entraînement	Lama
⑧	Nose	Nase	Bec	Naso
⑨	Trigger	Auslöser	Détente	Grilletto
⑩	Push lever	Auslösesicherung	Bras. de contact	Leva di spinta
⑪	Nose cap	Nasenkappe	Capuchon de bec	Tappo del naso
⑫	Firing head (Outlet)	Schusskopf (Auslass)	Tête de clouage (sortie)	Testata di sparo (uscita)
⑬	Magazine	Magazin	Magasin	Contentitore
⑭	Ribbon spring	Bandfeder	Ressort de rebond	Molla a nastro
⑮	Nail feeder (A)	Nagelschieber (A)	Alimenteur de clous (A)	Alimentatore chiodi (A)
⑯	Nail feeder (B)	Nagelschieber (B)	Alimenteur de clous (B)	Alimentatore chiodi (B)
⑰	Nail stopper	Nagelstopper	Pièce d'arrêt des clous	Fermachiodi
⑱	Air plug	Luftanschluss	Bouchon d'air	Maschio per l'aria
⑲	Switching device	Umschalter	Dispositif de commande	Dispositivo di commutazione
⑳	Upward position	Obere Position	Position haute	Posizione ascendente
㉑	Downward position	Untere Position	Position basse	Posizione discendente
㉒	Previously pull the trigger	Erst Abzug ziehen	Tirez d'abord la détente	Prima tirare il grilletto
㉓	Disconnect air hose	Luftschlauchanschluss	Débrancher le tuyau d'air	Scollegare il tubo dell'aria
㉔	Shallow side	Flache Seite	Côté peu profond	Lato poco profondo
㉕	Deep side	Tiefe Seite	Côté profond	Lato profondo
㉖	Adjuster	Einsteller	Ajusteur	Regolatore
㉗	Oiler	Oeler	Lubrificateurs	Oliatore
㉘	Filter	Filter	Filtre	Filtro
㉙	Reducing valve	Reduzier-Ventil	Valve réductrice	Valvola di riduzione
㉚	Compressor side	Kompressor-Seite	Côté compresseur	Lato compressore
㉛	Nailer side	Naglerseite	Côté cloueur	Lato chiodatrice

	Nederlands	Español	Suomi	Русский
①	Hoofdbeschermkap	Protector de la unidad	Pääsuojus	Ограждение головки
②	Uitlaatdeksel	Cubierta de escape	Pakokansi	Крышка выхлопа
③	Behuizing	Cuerpo	Runko	Корпус
④	Kap	Tapa	Suojus	Крышка
⑤	O-ring van zuiger	Anillo O del pistón	Männän O-rengas	Кольцевая прокладка поршня
⑥	Zuiger	Pistón	Mäntä	Поршень
⑦	Aandrijfblad	Cuchilla impulsora	Porausterä	Лезвие привод
⑧	Neusstuk	Morro	Kärki	Носовая часть
⑨	Trekker	Gatillo	Laukaisin	Курок
⑩	Veiligheidshendel	Palanca de empuje	Painovipu	Рычаг-толкатель
⑪	Neuskap	Tapa para el morro	Kärkisuojaus	Крышка наконечника
⑫	Afvuurkop (uitlaat)	Cabezal de disparo (salida)	Laukaisupää (Aukko)	Головка выстрела (выход)
⑬	Magazijn	Cargador	Makasiini	Магазин
⑭	Lintveer	Resorte de cinta	Nauhajousi	Резиновый амортизатор
⑮	Spijkertoevoer (A)	Alimentador de clavos (A)	Naulansyötin (A)	Подающий механизм гвоздей (A)
⑯	Spijkertoevoer (B)	Alimentador de clavos (B)	Naulansyötin (B)	Подающий механизм гвоздей (B)
⑰	Spijkerstopper	Tope de clavos	Naulanpidin	Гвоздевой стопор
⑱	Luchtplug	Toma de aire	Ilmapistoke	Воздушная пробка
⑲	Schakelinrichting	Dispositivo de encendido	Kytkinlaite	Приводной механизм
⑳	Omhoogstand	Posición boca arriba	Yläasento	Верхнее положение
㉑	Omlaagstand	Posición boca abajo	Ala-asento	Нижнее положение
㉒	Haal eerst de trekker over	Tire del gatillo primero	Ensin vedä laukaisimesta	Сначала нажать курок
㉓	Luchtslang loskoppelen	Desconecte la manguera de aire	Irrota ilmaletku	Отсоединить шланг воздуха
㉔	“ondiep” kant	Lado poco profundo	Matala puoli	Мельче
㉕	“diep” kant	Lado profundo	Syvä puoli	Глубже
㉖	Afsteller	Ajustador	Säädin	Регулировка
㉗	Zelfsmeernippel	Engrasador	Voitelulaite	Смазчик
㉘	Filter	Filtro	Suodatin	Фильтр
㉙	Reductieklep	Válvula de reducción	Vähennysventtiili	Редукционный клапан
㉚	Kant van de compressor	Lado del compresor	Kompressoripuoli	Сторона компрессора
㉛	Kant van het spijkerapparaat	Lado del martillo con ristra de clavos	Naulapuoli	Сторона гвоздезабивателя

GENERAL OPERATIONAL PRECAUTIONS

- 1. Operate the power tool safely for correct uses.**
Do not use the power tool for uses other than those specified in this instructions.
- 2. For safe operation handle the power tool correctly.**
Please follow the instructions given in this instruction manual and correctly handle this tool so as to ensure safe operation. Never let the tool be used by children or people who do not know enough to be able to handle it correctly, or let it be used by people who cannot operate it correctly.
- 3. Confirm the safety of the workshop.**
Keep unauthorized people away from the workshop. Especially children should be kept away.
- 4. The right parts in the right places.**
Do not remove any of the covers or screws. Keep them in place as they have their functions.
Moreover, because it would be dangerous, never make modifications to the tool or use it after making modifications.
- 5. Check the tool before using it.**
Before using the tool, always check that no parts of it are broken, that all screws are completely tight, and that no parts are missing or rusty.
- 6. Excessive work could cause accidents.**
Do not make tools and accessories work beyond their abilities. Excessive work not only damages the power tool but also is dangerous in itself.
- 7. Stop operation immediately if abnormalities are noticed.**
Stop operation if you notice abnormalities, or if the power tool does not work properly; have the power tool inspected and serviced.
- 8. Look after the power tool carefully.**
If you drop or knock the power tool against things, the outer frame may be deformed and cracks or other kinds of damage may occur, so please handle it with sufficient care. Also, do not scratch or engrave signs on the power tool. Owing to high pressure air inside the tool, cracks in the surface are dangerous.
Never use the power tool if a crack develops or if air is escaping from a crack.
- 9. Take good care for a long life.**
Always take good care of the power tool and keep it clean.
- 10. Inspection at regular intervals is essential for safety.**
Inspect the power tool at regular intervals so that the power tool can be operated safely and efficiently at all times.
- 11. Consult an authorized service agent if repair or parts replacement is necessary.**
Ensure that the power tool is serviced by authorized service agent only, and that only genuine replacement parts are used.
- 12. Keep the power tool in a proper place.**
When not in use, the power tool should be kept in a dry place out of the reach of children. Put into the body 5-10 drops oil through the hose joint to protect the tool from rust.
- 13. The exploded assembly drawing on this handling instructions should be used only for authorized service center.**

PRECAUTIONS ON USING NAILER

- 1. Safe operation through correct usage.**
This tool was designed for driving nails into wood and similar materials. Use it for its intended purpose only.
- 2. Make sure air pressure is within the rated range of air pressure.**
Fastener driving tools operated by compressed air shall only be connected to compressed air lines where the maximum allowable pressure cannot be exceeded by a factor of more than 10% which can for example be achieved by a pressure reduction valve which includes a downstream safety valve.
(For model NR90AD(S1)/NR90AE(S1), 110% of rated maximum allowable pressure is 9.1 bar = 130 psi)

Fastener driving tools operated by compressed air should only be operated at the lowest pressure required for the work process at hand, in order to prevent unnecessarily high noise levels, increased wear and resulting failures.
- 3. Never operate the equipment with high-pressure gases other than compressed air.**
Never use carbon dioxide, oxygen or another gas from pressurized containers under any circumstances.
- 4. Be careful of ignition and explosions.**
Since sparks may fly during nailing, it is dangerous to use this tool near lacquer, paint, benzine, thinner, gasoline, gas, adhesives and similar inflammable substances as they may ignite or explode. Under no circumstances should this tool therefore be used in the vicinity of such inflammable material.
- 5. Always wear eye protection (protective goggles).**
When operating the power tool, always wear eye protection, and ensure that surrounding people wear eye protection too.
The possibility of fragments of the nails that were not properly hit entering the eye is a threat to sight. Eye protection can be bought at any hardware store. Always wear eye protection while operating this tool. Use either eye protection or a wide vision mask over prescription glasses.
Employers should always enforce the use of eye protection equipment.
- 6. Protect your ears and head.**
When engaged in nailing work please wear ear mufflers and head protection. Also, depending on condition, ensure that surrounding people also wear ear mufflers and head protection.
- 7. Pay attention to those working close to you.**
It would be very dangerous if nails that were not properly driven in should hit other people. Therefore, always pay attention to the safety of the people around you when using this tool. Always make sure that nobody's body, hands or feet are close to the nail outlet.
- 8. Never point the nail outlet towards people.**
Always assume the tool contains fasteners.
If the nail outlet is pointed towards people, serious accidents may be caused if you mistakenly discharge the tool. When connecting and disconnecting the hose, during nail loading or similar operations, be sure the nail outlet is not pointed towards anyone (including yourself). Even when no nails are loaded at all, it is dangerous to discharge the tool while pointing it at someone, so never attempt to do so. No horseplay. Respect the tool as a working implement.

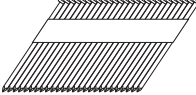
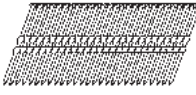
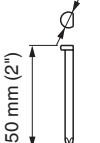
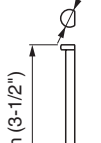
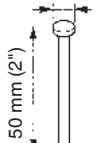
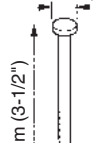
- 9. Before using the power tool, check the push lever.**
Before using the power tool make sure to check that the push lever and valve operate properly. Without nails loaded into the power tool, connect the hose and check the following. If the sound of operation occurs this indicates a fault, so in such a case do not use the power tool until it has been inspected and repaired.
- If merely pulling the trigger causes operating sound of drive bit movement occur, the power tool is faulty.
 - If merely pushing the push lever against the material to be nailed causes the sound of drive bit movement to occur, the power tool is faulty. Furthermore, with regard to the push lever, please note that it must never be modified or removed.
- 10. Use specified nails only.**
Never use nails other than those specified and described in these instructions.
- 11. Be careful when connecting the hose.**
When connecting the hose and loading nails in order not to fire the tool by mistake, make sure of the followings.
- Do not touch the trigger.
 - Do not allow the firing head to contact with any surface.
 - Keep the firing head down.
Strictly observe the above instructions, and always make sure that no part of the body, hands or legs is ever in front of the nail outlet.
- 12. Do not carelessly place your finger on the trigger.**
Do not place your finger on the trigger except when actually nailing. If you carry this tool or hand it to someone while having your finger on the trigger, you may inadvertently discharge a nail and thus cause an accident.
- 13. Press the nail outlet firmly against the material to be nailed.**
When driving in nails, press the nail outlet firmly against the material to be nailed. If the outlet is not applied properly, the nails may rebound.
- 14. Keep hands and feet away from the firing head when using.**
It is very dangerous for a nail to hit the hands or feet by mistake.
- 15. Beware of the tool's kickback.**
Do not approach the top of the tool with your head etc. during operation. This is dangerous because the tool may recoil violently if the nail currently being driven in comes into contact with a previous nail or a knot in the wood.
- 16. Take care when nailing thin boards or the corners of wood.**
When nailing thin boards, the nails may pass right through, as may also be the case when nailing the corners of wood due to deviation of the nails. In such cases, always make sure that there is no one (and nobody's hands or feet; etc.) behind the thin board or next to the wood you are going to nail.
- 17. Simultaneous nailing on both sides of the same wall is dangerous.**
Under no circumstances should nailing be performed on both sides of a wall at the same time. This would be very dangerous since the nails might pass through the wall and thus cause injuries.
- 18. Do not use the power tool on scaffoldings, ladders.**
The power tool shall not be used for specific application for example:
- when changing one driving location to another involves the use of scaffoldings, stairs, ladders or ladder alike constructions, e.g. roof laths,
 - closing boxes or crates,
 - fitting transportation safety systems e.g. on vehicles and wagons
- 19. Do not disconnect the hose with your finger on the trigger.**
If you disconnect the hose with your finger on the trigger, the next time the hose is connected, there is a danger that the power tool will fire a nail spontaneously, or operate incorrectly.
- 20. Disconnect the hose and take out any nails left in the magazine after use.**
Disconnect tool from air before doing tool maintenance, cleaning a jammed fastener, leaving work area, moving tool to another location, or after use. It is very dangerous for a nail to be fired by mistake.
- 21. When removing a nail which has become stuck, make sure to first of all disconnect the hose and release compressed air.**
When removing a nail which has become stuck in the nail outlet, first of all make sure to disconnect the hose and release compressed air inside the power tool. Accidental firing of the nail could be very dangerous.
- 22. A female plug (air socket) should not be used in the body.**
If a female plug is installed in the body, the compressed air sometimes can not be drawn when the hose is disconnected so avoid this.
The tool and air supply hose must have a hose coupling such that all pressure is removed from the tool when the coupling joint is disconnected.

SPECIFICATIONS

Model	NR90AD (S1)	NR90AE (S1)
Type of power	Piston reciprocating	
Air pressure (Gauge)	4.9 – 8.3 bar (70 – 120 psi.)	
Applicable nails	ref. Fig.	
Numbers of loadable nails	50 – 74 nails (2 strips)	64 – 70 nails (2 strips)
Size	462 mm (L) × 322 mm (H) × 125 mm (W) (18-3/16" × 12-11/16" × 4-15/16")	527 mm (L) × 322 mm (H) × 125 mm (W) (20-3/4" × 12-11/16" × 4-15/16")
Weight	3.2 kg (7.0 lbs)	3.4 kg (7.5 lbs)
Nail-feeding method	Piston reciprocation	
Hose (inside diam.)	8 mm (5/16")	

NAIL SELECTION

Only nails shown in the Table below can be driven with this Nailer.

NR90AD (S1)			NR90AE (S1)		
Paper collated strip nails Clipped-head nails 	Min.	Max.	Plastic-collatestrip nails Full-head nails 	Min.	Max.
	6.8 mm (.266")  50 mm (2") 2.9 mm (.113")	7.7 mm (.303")  90 mm (3-1/2") 3.8 mm (.148")		7 mm (.286")  50 mm (2") 2.9 mm (.113")	7.6 mm (.3")  90 mm (3-1/2") 3.8 mm (.148")

Dimensions of nails

STANDARD ACCESSORIES

- (1) Eye protector 1
- (2) Nose cap (mounted on tool)..... 1

APPLICATIONS

- Floor and wall framing.
- Truss build-up, Window build-up.
- Subflooring and roof decking.
- Wall sheathing.
- Mobile home and modular housing construction.

PREPARATION PRIOR TO OPERATION

1. Prepare the hose

Be sure to use the hose provided with minimum 8 mm (5/16") inside diameter.

NOTE

The air supply hoses must have a minimum working pressure rating of 12.8 bar (180 psi) or 150 percent of the maximum pressure produced in the air supply system, whichever is higher.

2. Check on safety

CAUTION

- Unauthorized persons (including children) must be kept away from the equipment.
- Wear eye protector.
- Check the retaining screws which fix the exhaust cover, etc. for tightness.
Check the nailer for air leaks and defective or rusty parts.
- Check whether or not the push lever works correctly. Also check whether or not any dirt has adhered to the moving parts of the push lever.
- Recheck on operational safety.

BEFORE USE

1. Check the air pressure

CAUTION

The air pressure must be constantly maintained at 4.9 – 8.3 bar (70 – 120 psi).

Adjust the air pressure between 4.9 to 8.3 bar (70 – 120 psi.) according to the diameters and length of nails and hardness of the wood being nailed. Pay special attention to the output pressure, capacity, and piping on the air compressor, so that air pressure does not exceed the specified limit. Note that excessive pressure may affect overall performance, service life, and safety.

2. Lubrication

- (1) Prior to operating this nailer, be sure to provide an air set between the air compressor and this device. Lubrication through the air set offers smooth operation, extended service life, and anticorrosion. Adjust the oiler so that a single drop of oil is supplied at intervals of 5 to 10 nailing cycles.
- (2) It is recommended using the recommended oil (SHELL TONNA). Other applicable oils are listed. Never mix two or more types of different oils.

3. Load nails

- (1) Insert nail strip into rear of magazine (See Fig. 2).
- (2) Slide the nail strip forward in the magazine. The nail strip should pass the nail stopper.
- (3) Pull the nail feeder (B) back to engage the nail feeder (A) to the nail strip.

NOTE

Use nail strip of more than 5 nails.

The Nailer is now ready to operate.

Removing the nails:

- ① Pull the nail feeder (B) backward.
- ② Return the nail feeder (B) forward quietly while pushing the nail feeder (A).
- ③ Push the nail stopper toward the magazine side, and pull out nails from the back of the magazine.

CAUTION

To prevent unintentional operation, never touch the trigger or place the top end of the push lever on a work bench on floor. Also, never face the nail outlet toward any part of a person.

HOW TO USE THE NAILER**CAUTIONS**

- Never use the head or body of this device as a hammer.
- Take precautions to ensure the safety of persons in the vicinity during operation.

1. Nailing procedures

This HiKOKI nailer is equipped with a nailer operation switching device.

Use SINGLE SEQUENTIAL ACTUATION MECHANISM or CONTACT ACTUATION MECHANISM in accordance with the work to be performed.

(1) Intermittent nailing

Set the switching device to the upward position (to set to SINGLE SEQUENTIAL ACTUATION MECHANISM) (See Fig. 3).

Depress the nail outlet onto the desired point; then pull the trigger to drive a nail in a single shot (See Fig. 4).

After nailing once, nailing will not be possible again until the trigger is released and pressed again.

WARNING

A nail will fire each time the trigger is depressed as long as the push lever remains depressed.

CAUTION

If you do not pull the trigger quickly and crisply while in the single shot mode, the nailer will bounce and shoot several nails instead of just one. To avoid this, be sure to pull the trigger quickly and crisply.

(2) Push lever

When depressing the nail outlet, be sure to fully lift the push lever (See Fig. 4) to release the safety lock. Thus, nails cannot be driven without releasing the safety lock even though the trigger is pulled.

(3) Continuous nailing

Set the switching device to the downward position (to set to CONTACT ACTUATION MECHANISM) (See Fig. 5).

First, pull the trigger. Then depress the device onto the desired position to automatically drive nails (See Fig. 6).

The SINGLE SEQUENTIAL ACTUATION MECHANISM is for use where precision fastener placement is desired.

The SINGLE SEQUENTIAL ACTUATION MECHANISM may reduce the possibility of bodily injury to you or others in the work area compared to the CONTACT ACTUATION MECHANISM. **This is because it is less likely to drive an unwanted nail if you keep the trigger pulled and accidentally bump the push lever against yourself or others.**

The SINGLE SEQUENTIAL ACTUATION MECHANISM may also reduce the speed of operation compared to the CONTACT ACTUATION MECHANISM. The SINGLE SEQUENTIAL ACTUATION MECHANISM is recommended to inexperienced users.

CAUTION

- Exercise care when nailing corners of lumber. When continuous nailing corners of lumber, a nail may go astray or break through the corner.
- Do not drive a nail on another nail.
- Do not drive a nail on metal parts.

NOTE

- Precautions on no-load operation
Sometimes nailing will continue after driving in all nails previously contained in the magazine. This is termed "no-load operation". Such operation may deteriorate the damper, magazine, and nail feeder. To avoid no-load operation, occasionally confirm the amount of remaining nails. On the other hand, all nails should be removed after using this nailer.
- Always handle nails and package carefully. If nails are dropped, collating bond may be broken.
- After nailing:
 - (1) disconnect air hose from the nailer;
 - (2) remove all nails from the nailer;
 - (3) supply 5 – 10 drops of HiKOKI pneumatic tool lubricant into the air plug on the nailer; and
 - (4) open the petcock on the air compressor tank to drain any moisture.
- Under low temperature conditions, the machine sometimes does not operate correctly. Always operate the machine at the appropriate ambient temperature.

2. Adjusting the nailing depth (See Fig. 7)

To assure that each nail penetrates to the same depth, be sure that:

- (1) the air pressure to the Nailer remains constant (regulator is installed and working properly), and
- (2) the Nailer is always held firmly against the workpiece.

If nails are driven too deep or shallow into the workpiece, adjust the nailing in the following order.

- ① DISCONNECT AIR HOSE FROM NAILER.
- ② If nails are driven too deep, turn the adjuster to the shallow side.
If nails are driven too shallow, turn the adjuster to the deep side.
- ③ Stop turning the adjuster when a suitable position is reached for a nailing test.
- ④ Connect the air hose.
ALWAYS WEAR EYE PROTECTOR.
Perform a nailing test.
- ⑤ DISCONNECT AIR HOSE FROM NAILER.
- ⑥ Choose a suitable position for the adjuster.

3. Using the nose cap (See Fig. 8)**CAUTION**

When detaching or attaching the nose cap, be sure to remove your finger from the trigger and disconnect the air hose from the nailer.

The nose cap is attached to the push lever tip to protect the workpiece from scratches or damage. Remove in the order shown below when not using.

- (1) DISCONNECT AIR HOSE FROM NAILER.
 - (2) Pull out the nose cap in the direction of the arrow as shown in the diagram.
- Attach to the tip of the push lever in the reverse order of detaching.

INSPECTION AND MAINTENANCE**CAUTION**

Be sure to disconnect the hose during cleaning jams, inspection, maintenance and cleaning.

1. Inspecting the magazine

- ① DISCONNECT AIR HOSE.
- ② Clean the magazine. Remove paper chips or wooden chips which may have accumulated in the magazine. Lubricate it with HiKOKI pneumatic tool lubricant.

2. Check on mounting screws for each part

At regular intervals check every part for loose mounting screws and whether or not there are any air leaks. Retighten any loose screws. Operating the equipment with loose screws untightened will incur a hazard.

3. Inspecting the push lever

Check if the push lever can slide smoothly. Clean up the sliding area of the push lever and use the provided oil for lubrication from time to time. Lubrication enables smooth sliding and simultaneously serves to prevent the formation of rust.

4. Storing

- When not in use for an extended period, apply a thin coat of the lubricant to the steel parts to avoid rust.
- Do not store the Nailer in a cold weather environment. Keep the Nailer in a warm area.
- When not in use, the Nailer should be stored in a warm and dry place. Keep out of reach of children.

5. Service parts list

A: Item No.
B: Code No.
C: No. Used
D: Remarks

CAUTION

Repair, modification and inspection of HiKOKI Power Tools must be carried out by a HiKOKI Authorized Service Center.

This Parts List will be helpful if presented with the tool to the HiKOKI Authorized Service Center when requesting repair or other maintenance.

In the operation and maintenance of power tools, the safety regulations and standards prescribed in each country must be observed.

MODIFICATION

HiKOKI Power Tools are constantly being improved and modified to incorporate the latest technological advancements.

Accordingly, some parts (i.e. code numbers and/or design) may be changed without prior notice.

COMPRESSOR

CAUTION

When the maximum, operating pressure of the air compressor exceeds 8.3 bar (120 psi.), be sure to provide a reducing valve between the air compressor and nailer. Then, adjust the air pressure within the operating range of 4.9 – 8.3 bar (70 – 120 psi.). If the air set is installed, lubrication is also possible, thus providing additional convenience.

OILER-FILTER-REDUCING VALVE (Air Set)

So that the equipment can be operated under an optimum condition to ensure extended service life, it is recommended to use an oiler filter reducing valve. Please limit the length of the hose between the unit and the air set to within 10 m when using (See Fig. 9).

APPLICABLE LUBRICANTS

Type of lubricant	Name of lubricant
Recommended oil	SHELL TONNA
Motor oil	SAE10W, SAE20W
Turbine oil	ISO VG32 – 68 (#90 – #180)

Noise Information

Noise characteristic values in accordance with EN 792-13, JUNE, 2000:

The typical A-weighted single-event sound power level
 $LWA,1s,d = 105 \text{ dB (A)}$
The typical A-weighted single-event emission sound pressure level at work station
 $LpA,1s,d = 98 \text{ dB (A)}$
Uncertainty KpA: 2.5 dB (A).

These values are tool-related characteristic values and do not represent the noise development at the point of use. Noise development at the point of use will for example depend on the working environment, the workpiece, the workpiece support and the number of driving operations, etc.

Depending on the conditions at the workplace and the form of the workpiece, individual noise attenuation measures may need to be carried out, such as placing workpieces on sound-damping supports, preventing workpiece vibration by means of clamping or covering, adjusting to the minimum air pressure required for the operation involved, etc.

In special cases it is necessary to wear hearing protection equipment.

Vibration Information

The typical vibration characteristic value in accordance with EN 792-13, JUNE, 2000: 3.00 m/s² (NR90AD(S1))
5.50 m/s² (NR90AE(S1))
Uncertainty K = 1.5 m/s²

This value is a tool-related characteristic value and does not represent the influence to the hand-arm-system when using the tool. An influence to the hand-arm-system when using the tool will for example depend on the gripping force, the contact pressure force, the working direction, the adjustment of energy supply, the workpiece, the workpiece support.

(Übersetzung der Original-Gebrauchsanweisung)

GENERELLE VORSICHTSMASSNAHMEN

- 1. Benutzen Sie das Gerät sicher und für die richtige Verwendung.**
Benutzen Sie das Gerät nie für andere Verwendungszwecke als die in dieser Betriebsanleitung angegebenen.
- 2. Behandeln Sie das Gerät korrekt für eine sichere Arbeitsweise.**
Beachten Sie die Anweisungen dieser Betriebsanleitung und behandeln Sie das Gerät korrekt, um eine sichere Arbeitsweise zu gewährleisten. Lassen Sie das Gerät niemals von Kindern oder von unerfahrenen Personen, die mit der Arbeitsweise des Gerätes nicht vertraut sind benutzen.
- 3. Achten Sie auf Sicherheit des Arbeitsplatzes.**
Halten Sie unbefugte Personen vom Arbeitsplatz fern, insbesondere Kinder.
- 4. Das richtige Teil am richtigen Platz.**
Entfernen Sie keine Deckel oder Schrauben. Lassen Sie sie dort, wo sie ihre Funktion erfüllen. Nehmen Sie keine Änderungen des Gerätes vor und benutzen Sie kein geändertes Gerät. Dies könnte gefährlich sein.
- 5. Prüfen Sie das Gerät vor Gebrauch.**
Prüfen Sie vor der Benutzung des Gerätes, ob keine Teile gebrochen sind, ob alle Schrauben fest angezogen sind und ob keine Teile fehlen oder rostig sind.
- 6. Ueberbeanspruchung kann Unfälle hervorrufen.**
Beanspruchen Sie das Gerät sowie die Zubehörteile nie stärker als vorgesehen. Ueberbeanspruchung zerstört nicht nur das Gerät sondern ist an sich gefährlich.
- 7. Unterbrechen Sie die Arbeit sofort bei auftretenden Unregelmässigkeiten.**
Sobald Sie Unregelmässigkeiten bemerken, unterbrechen Sie unverzüglich die Arbeit und lassen Sie das Gerät prüfen und warten.
- 8. Behandeln Sie das Gerät sorgfältig.**
Wenn Sie das Gerät fallen lassen oder gegen andere Gegenstände stossen, kann der Aussenkörper deformiert werden, brechen, oder anderweitig beschädigt werden. Behandeln Sie deshalb das Gerät mit Sorgfalt. Kratzen oder gravieren Sie keinerlei Zeichen auf das Gerät. Bedingt durch den hohen Innendruck sind Beschädigungen an der Oberfläche gefährlich.
Benutzen Sie das Gerät nicht, wenn sich Risse bilden oder Luft durch einen Riss entweicht.
- 9. Gute Pflege garantiert eine lange Lebensdauer.**
Pflegen Sie das Gerät gut und halten Sie es sauber.
- 10. Regelmässige Inspektionen sind für die Sicherheit wichtig.**
Nehmen Sie in regelmässigen Abständen Inspektionen vor, damit das Gerät stets sicher und wirksam benutzt werden kann.
- 11. Wenden Sie sich für Reparatur oder Auswechseln von Teilen an einen autorisierten Agenten.**
Stellen Sie sicher, daß dieses Elektrowerkzeug nur von einem autorisierten Agenten gewartet wird und daß nur Originalersatzteile verwendet werden.
- 12. Lagern Sie das Elektrowerkzeug an einem angemessenen Ort.**
Wenn es nicht verwendet wird, sollte das Elektrowerkzeug an einem trockenen Ort außerhalb der Reichweite von Kindern verwendet werden. Füllen Sie 5 bis 10 Tropfen Öl durch den Schlauchanschluß in den Körper des Werkzeugs ein, um das Gerät vor Rost zu schützen.

- 13. Die Explosionszeichnung die der Bedienungsanleitung beigefügt ist, ist nur für autorisierte Service-Werkstätten bestimmt.**

VORSICHTSMASSNAHMEN BEIM GEBRAUCH DES NAGELGERAETES

- 1. Sichere Arbeitsweise durch korrekten Gebrauch.**
Dieses Gerät wurde zum Eintreiben von Nägeln in Holz oder ähnliches Material entwickelt. Benutzen Sie es ausschliesslich für den vorgesehenen Verwendungszweck.
- 2. Beachten Sie, dass der Luftdruck innerhalb der vorgeschriebenen Grenzen liegt.**
Druckluftbetriebene Werkzeuge dürfen nur an Druckluftleitungen angeschlossen werden, bei denen sichergestellt ist, dass der maximal zulässige Druck um nicht mehr als 10% überschritten werden kann. Dies kann z. B. durch ein Druckminderungsventil mit Sicherheitsventil in der Zuleitung erreicht werden. (Bei Modell NR90AD(S1)/NR90AE(S1): 110% des maximal zulässigen Nenndrucks entsprechen 9,1 bar = 130 psi).

Druckluftbetriebene Werkzeuge sollten lediglich mit dem für die jeweilige Tätigkeit ausreichenden Minimaldruck betrieben werden, um unnötige Lärmbelästigung, gesteigerten Verschleiß und daraus resultierende Ausfälle zu vermeiden.

- 3. Benutzen Sie das Gerät niemals mit Hochdruck-Gas sondern ausschliesslich mit komprimierter Luft.**
Benutzen Sie unter keinen Umständen Kohlenstoffdioxide, Sauerstoff oder andere Gase aus Druckbehältern.
- 4. Schützen Sie sich vor Bränden und Explosionen.**
Da während des Nagelns Funken umherfliegen können ist es gefährlich, das Gerät in der Nähe von Lacken, Farben, Benzin, Verdünnern, Gasolinen, Gas, Klebstoffen oder ähnlichen brennbaren Substanzen zu benutzen, da diese sich entzünden oder explodieren können. Das Gerät darf aus diesem Grunde unter keinen Umständen in der Nähe solcher brennbaren Materialien benutzt werden.
- 5. Schützen Sie Ihre Augen mit Schutzbrillen.**
Wenn Sie mit dem Gerät arbeiten tragen Sie stets eine Schutzbrille und achten Sie darauf, dass auch in Ihrer Umgebung Schutzbrillen getragen werden. Es können Teile von Nägeln, die nicht einwandfrei eingetrieben wurden, in die Augen eindringen und das Augenlicht zerstören.
Schutzbrillen sind in jedem Fachgeschäft erhältlich. Tragen Sie stets einen Sicherheits-Augenschutz, entweder eine Schutzbrille oder eine Weitwinkel-Schutzmaske mit den vorgeschriebenen Gläsern. Arbeitgeber sollten das Tragen von Augenschutz immer vorschreiben.
- 6. Schützen Sie Ihre Ohren und Ihren Kopf.**
Tragen Sie während des Nagelns Lärmschutz und Sicherheitshelme. Abhängig von den Bedingungen sollten auch Personen in der Umgebung Lärmschutz und Sicherheitshelme tragen.
- 7. Achten Sie auf Personen, die in Ihrer Nähe arbeiten.**
Es kann gefährlich werden wenn Nägel, die nicht richtig eingetrieben wurden andere Personen verletzen. Achten Sie aus diesem Grunde auf die Sicherheit der Sie umgebenden Personen wenn Sie dieses Gerät benutzen. Achten Sie darauf, dass die Mündung des Gerätes nicht in die Nähe von Personen, Händen oder Füssen kommt.

8. Richten Sie die Mündung des Gerätes nie gegen Personen.

Es können schwere Unfälle entstehen, wenn Sie das Gerät falsch entladen, während die Mündung auf eine Person gerichtet ist. Achten Sie darauf, dass die Mündung des Gerätes nie gegen eine Person gerichtet ist, auch nicht gegen Sie selbst, wenn Sie den Druckschlauch anschliessen, abkuppeln, Nägel einlegen oder ähnliche Arbeiten durchführen. Selbst wenn keine Nägel eingelegt wurden ist es gefährlich, das Gerät zu entladen während die Mündung gegen eine Person gerichtet ist. Tun Sie dies also niemals.

9. Prüfen Sie die Auslösesicherung, bevor Sie das Gerät benutzen.

Achten Sie darauf, dass die Auslösesicherung und das Ventil richtig funktionieren, bevor Sie das Gerät benutzen. Schliessen Sie den Schlauch an, ohne dass sich Nägel im Gerät befinden und überprüfen Sie folgendes: Tritt ein Arbeitsgeräusch auf, so zeigt dies einen Fehler an. Benutzen Sie in diesem Fall das Gerät nicht, bevor es inspiziert und repariert wurde.

- Tritt ein Arbeitsgeräusch beim Ziehen des Auslösers auf, ist das Gerät nicht in Ordnung.
- Tritt beim Andrücken der Auslösesicherung an das zu nagelnde Material das Geräusch des sich bewegenden Treibers auf, ist das Gerät nicht in Ordnung.

Bitte beachten Sie ausserdem, dass die Auslösesicherung niemals verändert oder entfernt werden darf.

10. Benutzen Sie ausschliesslich die vorgeschriebenen Nägel.

Es dürfen ausschliesslich die in der Betriebsanleitung bezeichneten Befestigungsmittel verarbeitet werden.

11. Schliessen Sie den Schlauch sorgfältig an.

Wenn Sie den Schlauch anschliessen und Nägel einführen, beachten Sie folgende Punkte, damit das Gerät nicht irrtümlich schiesst.

- Berühren Sie auf keinen Fall den Auslöser.
- Achten Sie darauf, dass die Mündung nicht mit irgendeinem Gegenstand in Berührung kommt.
- Halten Sie die Mündung nach unten gerichtet. Beachten Sie unbedingt die obigen Anweisungen und sorgen Sie dafür, dass sich keine Körperteile, Hände oder Füsse vor der Mündung des Gerätes befinden.

12. Berühren Sie niemals achtlos den Auslöser.

Berühren Sie den Auslöser mit dem Finger nur beim Nageln. Wenn Sie das Gerät tragen oder jemandem überreichen während Sie den Finger am Auslöser haben, können Sie unbeabsichtigt einen Schuss auslösen und so einen Unfall verursachen.

13. Drücken Sie die Mündung fest gegen das zu nagelnde Material.

Wenn Sie Nägel eintreiben, drücken Sie die Mündung fest gegen das zu nagelnde Material. Geschieht dies nicht sorgfältig, können die Nägel zurückschlagen.

14. Halten Sie Hände und Füsse während des Arbeitens von der Mündung entfernt.

Es ist sehr gefährlich, wenn ein Nagel durch einen Fehler in die Hände oder Füsse eindringt.

15. Schützen Sie sich vor dem Rückschlag des Gerätes.

Nähern Sie sich während des Arbeitens nicht mit dem Kopf oder anderen körperteilen dem Oberteil des Gerätes. Dies ist gefährlich, da das Gerät heftig zurückschlagen kann, wenn ein Nagel auf einen vorher eingetriebenen oder auf einen Knoten im Holz trifft.

16. Seien Sie vorsichtig beim Nageln von dünnen Brettern oder Holzkanten.

Beim Nageln von dünnen Brettern können die Nägel durchschlagen, wie dies auch beim Nageln von Holzkanten durch Querschläger geschehen kann. Achten Sie in solchen Fällen darauf, dass sich niemand (auch keine Hände, Füsse etc.) hinter dem Brett oder in der Nähe des Holzes, das Sie gerade nageln befindet.

17. Gleichzeitiges Nageln auf beiden Seiten einer Wand ist gefährlich.

Unter keinen Umständen darf auf beiden Seiten derselben Wand gleichzeitig genagelt werden. Dies wäre gefährlich, da die Nägel durch die Wand schlagen könnten und so Verletzungen hervorrufen.

18. Verwenden Sie das Werkzeug nicht auf Gerüsten oder Leitern.

Das Werkzeug darf für bestimmte Anwendungen nicht verwendet werden, z.B.:

- wenn Änderung des Eintreibungsortes die Verwendung von Gerüsten, Treppen, Leitern oder leiterähnlichen Konstruktionen beinhaltet, z.B. Lattenwerk
- schliessen von Kästen oder Kisten,
- angemessene Transportsicherheitsssysteme, z.B. auf Fahrzeugen und Wägen

19. Klemmen Sie den Druckschlauch nicht ab, während Sie den Finger am Auslöser halten.

Wenn Sie den Druckschlauch abklemmen, während Sie den Finger am Auslöser halten besteht die Gefahr, dass das Gerät beim nächsten Anschluss sofort einen Schuss abgibt oder unkorrekt arbeitet.

20. Klemmen Sie den Druckschlauch ab und entnehmen Sie aus dem Magazin sämtliche verbliebenen Nägel.

Klemmen Sie den Druckschlauch ab und entfernen Sie nach der Benutzung alle Nägel oder solche, die die Funktion stören. Klemmen Sie den Schlauch ab wenn Sie Teile ersetzen, eine verklemmten Nagel entfernen oder das Gerät inspizieren. Es ist sehr gefährlich, wenn ein Nagel durch einen Fehler geschossen wird.

21. Klemmen Sie den Schlauch ab und lassen Sie die Druckluft entweichen, bevor Sie einen steckengebliebenen Nagel entfernen.

Bevor Sie einen in der Mündung verklemmten Nagel entfernen beachten Sie, dass Sie den Druckschlauch abklemmen und die Druckluft aus dem Gerät entweichen lassen.

Ein fälschlich abgeschossener Nagel könnte sehr gefährlich sein.

22. Schliessen Sie die Schnellkupplung (Air Socket) nicht am Gerätekörper an.

Wenn die Schnellkupplung (Air Socket) direkt am Gerätekörper angeschlossen wird, kann manchmal die komprimierte Luft nicht entweichen wenn der Schlauch abgeklemmt wird. Vermeiden Sie dies aus diesem Grunde.

SPEZIFIKATIONEN

Model	NR90AD (S1)	NR90AE (S1)
Antrieb	Kolben, druckluftgetrieben	
Luftdruck	4,9 – 8,3 bar	
Nägel	siehe Abb.	
Anzahl Nägel	50 – 74 Stück (2 Streifen)	64 – 70 Stück (2 Streifen)
Getriebeabmessungen	462 mm (L) × 322 mm (H) × 125 mm (W)	527 mm (L) × 322 mm (H) × 125 mm (W)
Gewicht	3,2 kg	3,4 kg
Nagelführung	Kolben, druckluftgetrieben	
Schlauch (Inner-φ)	8 mm	

AUSWAHL DER NAGEL

Nur die in der untenstehenden Tabelle aufgeführten Nägel können mit diesem Nagler bearbeitet werden.

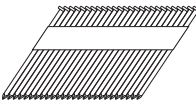
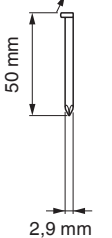

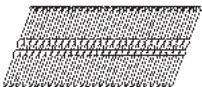
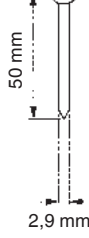

NR90AD (S1)			NR90AE (S1)		
Mit Papier befestigte Nagelstreifen	Mind.	Max.	Mit Kunststoff befestigte Nagelstreifen Kopfnägel	Mind.	Max.
	6,8 mm	7,7 mm		7 mm	7,6 mm
					
	2,9 mm	3,8 mm		2,9 mm	3,8 mm

Abb. Abmessungen

STANDARDZUBEHÖR

- (1) Augenschutz 1
- (2) Nasenkappe (montiert auf Werkzeug) 1

ANWENDUNGEN

- Boden- und Wandrahmen.
- Fachwerkaufbau, Fensteraufbau.
- Bodenbelag-Unterbau und Dachbelag.
- Wandverschalung.
- Wohnwagen- und modulare Hauskonstruktion.

VORBEREITUNGEN VOR GEBRAUCH

1. Bereiten Sie den Schlauch vor

Achten Sie darauf, dass der Schlauch einen Innendurchmesser von min. 8 mm hat.

HINWEIS

Die Luftdruckschläuche müssen einen Mindestarbeitsdruck von 150 Prozent des Maximumdrucks des Kompressorsystems haben, jenachdem welcher von beiden höher ist.

2. Prüfen Sie die Sicherheit

ACHTUNG

- Unbefugte Personen (insbes. Kinder) müssen vom dem Gerät ferngehalten werden.

- Tragen Sie Schutzbrillen.
- Prüfen Sie die Befestigungsschrauben, die den Entlüftungsdeckel halten, etc. auf sicheren Sitz. Untersuchen Sie das Gerät nach undichten Stellen defekten oder rostigen Teilen.
- Prüfen Sie, ob der Kontaktarm richtig arbeitet. Achten Sie darauf, dass kein Schmutz an den beweglichen Teilen des Kontaktarmes haftet.
- Prüfen Sie nochmals die Funktionssicherheit.

VOR INBETRIEBNAHME

1. Prüfen Sie den Luftdruck ACHTUNG

Der Luftdruck muss konstant zwischen 4,9 – 8,3 bar gehalten werden.

Stellen Sie den Luftdruck entsprechend den Abmessungen und Längen der Nägel sowie der Härte des zu nagelnden Holzes zwischen 4,9 und 8,3 bar ein. Achten Sie besonders auf den Auslassdruck, die Kapazität und den Anschluss am Kompressor, damit der Druck das spezifizierte Limit nicht überschreitet. Zu hoher Druck kann die generelle Leistung, die Lebensdauer und die Sicherheit beeinträchtigen.

2. Oelen

- (1) Bevor Sie mit dem Gerät arbeiten, bringen Sie ein Air-Set zwischen dem Kompressor und dem Gerät an. Regeln Sie den Oeler so, dass ein Tropfen Oel pro 5–10 Nagelzyklen zugegeben wird.
- (2) Benutzen Sie das empfohlene Oel (SHELL TONNA). Andere verwendbare Oele sind am Ende angegeben. Mischen Sie niemals zwei oder mehrere verschiedene Arten von Oel.

3. Laden der Nägel

- (1) Schieben Sie einen Nagelstreifen von hinten in das Magazin ein (Siehe **Abb. 2**).
- (2) Schieben Sie den Nagelstreifen im Magazin nach vorn. Der Nagelstreifen sollte den Nagelstopper passieren.
- (3) Ziehen Sie den Nagelschieber (B) nach hinten, um den Nagelschieber (A) mit dem Nagelstreifen in Eingriff zu bringen.

HINWEIS

Verwenden Sie Nagelstreifen von mehr als 5 Nägeln.

Das Nagelgerät ist nun betriebsbereit.

Entfernen der Nägel:

- ① Ziehen Sie den Nagelschieber (B) nach hinten.
- ② Bewegen Sie den Nagelschieber (B) ruhig nach vorne, während Sie den Nagelschieber (A) drücken.
- ③ Drücken Sie den Nagelstopper zur Magazinseite und ziehen Sie die Nägel nach hinten aus dem Magazin.

ACHTUNG

Um ein unbeabsichtigtes Schiessen zu verhindern, berühren Sie niemals den Abzug und legen Sie nie den Kontaktarm auf die Werkbank oder auf den Boden. Richten Sie nie die Mündung gegen eine Person.

BEDIENUNGSANLEITUNG

ACHTUNG

- Benutzen Sie niemals das Oberteil oder den Geräte - Körper als Hammer.
- Treffen Sie die nötigen vorsichtsmassnahmen, um die Sicherheit von Personen in der Nähe während der Arbeiten zu gewährleisten.

1. Verschiedene Arten des Nagelns

Dieser HiKOKI-Nagler ist mit einem Betriebsmodus-Umschalter ausgestattet.

Verwenden Sie je nach Art Ihrer Arbeit die EINZELFOLGEAUSLÖSUNG oder die KONTAKTAUSLÖSUNG.

(1) Unterbrochenes Nageln

Bringen Sie den Umschalter in die obere Position (um die EINZELFOLGEAUSLÖSUNG zu wählen) (Siehe **Abb. 3**).

Drücken Sie die Mündung gegen die gewünschte Stelle; dann ziehen Sie den Auslöser. Ein Nagel wird mit einem Schuss eingetrieben (Siehe **Abb. 4**).

Nach dem Einschlagen des ersten Nagels kann der nächste erst eingeschlagen werden, wenn der Auslöser zwischenzeitlich losgelassen wurde.

WARNUNG

Solange der Hebel gedrückt bleibt, wird bei jeder Betätigung des Auslösers ein Nagel eingeschossen.

ACHTUNG

Wenn Sie den Auslöser nicht schnell und kräftig ziehen, während auf Einzelschuss geschaltet ist, springt der Nagler zurück und schießt mehrere Nägel anstelle nur eines einzelnen aus. Um das zu vermeiden, immer den Auslöser schnell und kräftig ziehen.

(2) Auslösesicherung

Achten Sie darauf, dass beim Andrücken der Mündung die Auslösesicherung völlig hochgedrückt wird, um den Sicherheitsmechanismus zu lösen (Siehe **Abb. 4**). Nur so ist garantiert, dass kein Nagel ohne Lösen des Sicherheitsmechanismus eingetrieben werden kann, auch wenn der Auslöser gezogen ist.

(3) Kontinuierliches Nageln

Bringen Sie den Umschalter in die untere Position (um die KONTAKTAUSLÖSUNG zu wählen) (Siehe **Abb. 5**). Ziehen Sie zunächst den Auslöser, Drücken Sie danach das Gerät in die gewünschte Position um kontinuierlich zu nageln (Siehe **Abb. 6**).

Die EINZELFOLGEAUSLÖSUNG wird dann verwendet, wenn Befestigungselemente präzise gesetzt werden sollen.

Die EINZELFOLGEAUSLÖSUNG birgt im Vergleich zur KONTAKTAUSLÖSUNG eine geringere Verletzungsgefahr für Sie und andere im Arbeitsbereich. **Der Grund hierfür ist, dass Sie bei KONTAKTAUSLÖSUNG mit betätigtem Auslöser mit dem Betätigungshebel gegen sich oder andere stoßen und versehentlich einen Nagel einschießen könnten.**

Die EINZELFOLGEAUSLÖSUNG kann auch die Arbeitsgeschwindigkeit im Vergleich zu KONTAKTAUSLÖSUNG herabsetzen. Die EINZELFOLGEAUSLÖSUNG eignet sich vor allem für ungeübte Benutzer.

ACHTUNG

- Nageln Sie sorgfältig die Holzkanten. Bei kontinuierlichem Nageln von Holzkanten kann ein Nagel abrutschen oder durch die Kante brechen.
- Treiben Sie keine Nägel auf andere Nägel.
- Treiben Sie keine Nägel auf Metallteile.

HINWEIS

- Vorsichtsmassnahmen gegen Leerschüsse
Gelegentlich wird weiter genagelt, obwohl alle Nägel im Magazin verschossen sind.
Dies nennt man "Leerschüsse". Leerschüsse können den Dämpfer, das Magazin und die Nagelzuführung zerstören. Überprüfen Sie deshalb von Zeit zu Zeit die Anzahl der sich noch im Magazin befindlichen Nägel, um Leerschüsse zu vermeiden. Nach Benutzung des Gerätes sollen alle Nägel entnommen werden.
- Handhaben Sie Nägel und Packungen immer sorgfältig. Wenn Nägel fallen gelassen werden, kann das Trägermaterial reißen.
- Nach dem Nageln:
 - (1) Trennen Sie den Luftschlauch vom Nagler ab.
 - (2) Entfernen Sie alle Nägel aus dem Nagler.
 - (3) Geben Sie 5 bis 10 Tropfen HiKOKI-Schmiermittel für Pneumatikwerkzeuge in den Luftanschluss am Nagler ein, und
 - (4) Öffnen Sie den Ablasshahn am Luftkompressortank, um alle Feuchtigkeit abzulassen.
- Bei niedrigen Temperaturen arbeitet das Gerät manchmal nicht korrekt. Arbeiten Sie deshalb mit dem Gerät immer in der geeigneten Umgebungstemperatur.

2. Einstellen der Nageltiefe (Siehe **Abb. 7**)

Achten Sie auf die folgenden Punkte, um sicherzustellen, dass jeder Nagel zur gleichen Tiefe eingetrieben wird:

- (1) Der Luftdruck zum Nagler muss konstant bleiben (ein Regler ist installiert und funktioniert normal).
- (2) Der Nagler muss immer fest gegen das Werkstück gehalten werden.

Wenn Nägel zu tief oder nicht tief genug in das Werkstück eingetrieben werden, so stellen Sie den Nagler wie folgt ein.

- ① **TRENNEN SIE DEN LUFTSCHLAUCH VOM NAGLER AB.**
- ② Wenn Nägel zu tief eingetrieben werden, so drehen Sie die Einstellung zur tiefen Seite.
Wenn Nägel nicht tief genug eingetrieben werden, so drehen Sie die Einstellung zur flachen Seite.
- ③ Drehen Sie die Einstellung nicht weiter, wenn eine angemessene Position für Probenageln erreicht worden ist.
- ④ Schließen Sie den Luftschlauch an.
TRAGEN SIE IMMER EINEN AUGENSCHUTZ.
Führen Sie Probenageln durch.
- ⑤ **TRENNEN SIE DEN LUFTSCHLAUCH VOM NAGLER AB.**
- ⑥ Wählen Sie eine angemessene Position für die Einstellung.

3. Verwendung der Nasenkappe (Siehe Abb. 8)

ACHTUNG

Wenn Sie die Nasenkappe entfernen oder anbringen, achten Sie darauf den Finger vom Auslöser zu nehmen und den Luftschlauch vom Stiftnagler zu trennen.

Die Nasenkappe ist mit der Schubhebelspitze verbunden, um das Werkstück vor Kratzern und Beschädigungen zu schützen. Wird die Kappe nicht verwendet, ist sie gemäß nachfolgender Beschreibung und Reihenfolge zu entfernen.

- (1) **ENTFERNEN SIE DEN LUFTSCHLAUCH VOM NAGLER**
 - (2) Ziehen Sie die Nasenkappe in Pfeilrichtung und wie im Diagramm abgebildet heraus.
- Befestigen Sie diese an der Spitze des Schubhebels. Gehen Sie hierfür in umgekehrter Reihenfolge vor.

INSPEKTION UND WARTUNG

ACHTUNG

Klemmen Sie den Druckschlauch bei der Reinigung, Inspektion und Wartung ab.

1. Inspektion des Magazins

- ① **TRENNEN SIE DEN LUFTSCHLAUCH AB.**
- ② Reinigen Sie das Magazin. Entfernen Sie Papier- oder Holzspäne, die sich eventuell im Magazin gesammelt haben. Schmieren Sie mit einem HiKOKI-Schmiermittel für pneumatische Werkzeuge.

2. Prüfen Sie die Befestigungsschrauben für jedes Teil

Prüfen Sie in regelmässigen Abständen jedes Teil nach lockeren Schrauben und undichten Stellen. Ziehen Sie lockere Schrauben wieder an. Die Benutzung des Gerätes mit nicht fest angezogenen Schrauben bedeutet Gefahr.

3. Inspektion des Druckhebels

Überprüfen Sie, ob der Druckhebel glatt gleiten kann. Reinigen Sie den Gleitbereich des Druckhebels und verwenden Sie das mitgelieferte Öl für Schmierung von Zeit zu Zeit. Schmierung ermöglicht glattes Gleiten und dient gleichzeitig zur Rostverhütung.

4. Aufbewahrung

- Wenn das Gerät längere Zeit nicht verwendet werden soll, so tragen Sie eine dünne Schicht Schmiermittel auf die Stahlteile auf, um Rosten zu verhüten.
- Lagern Sie den Nagler nicht in einer kalten Umgebung. Bewahren Sie den Nagler in einem warmen Bereich auf.

- Wenn der Nagler nicht verwendet wird, sollte er an einem warmen und trockenem Ort aufbewahrt werden. Halten Sie den Nagler außerhalb der Reichweite von Kindern.

5. Liste der Wartungsteile

- A: Punkt Nr.
- B: Code Nr.
- C: Verwendete Anzahl
- D: Bemerkungen

ACHTUNG

Reparatur, Modifikation und Inspektion von HiKOKI-Elektrowerkzeugen müssen durch ein Autorisiertes HiKOKI-Wartungszentrum durchgeführt werden.

Diese Teileliste ist hilfreich, wenn sie dem Autorisierten HiKOKI-Wartungszentrum zusammen mit dem Werkzeug für Reparatur oder Wartung ausgehändigt wird.

Bei Betrieb und Wartung von Elektrowerkzeugen müssen die Sicherheitsvorschriften und Normen beachtet werden.

MODIFIKATIONEN

HiKOKI-Elektrowerkzeuge werden fortwährend verbessert und modifiziert, um die neuesten technischen Fortschritte einzubauen.

Dementsprechend ist es möglich, daß einige Teile (z.B. Codenummern bzw. Entwurf) ohne vorherige Benachrichtigung geändert werden.

KOMPRESSOR

ACHTUNG

Wenn die maximale Arbeitsleistung des Kompressors 8,3 bar übersteigt, benutzen Sie ein Reduzier-Ventil zwischen dem Kompressor und dem Gerät. Regeln Sie anschließend den Luftdruck innerhalb des Arbeitsbereiches von 4,9–8,3 bar. Bei Installation eines Air-Sets ist ein gleichzeitiges Oelen möglich, eine zusätzliche Erleichterung.

ÖL-FILTER-REDUZIERVENTIL (Air Set)

Es ist empfehlenswert, ein Öl-Filter-Reduzierventil zu benutzen, um optimale Bedingungen für eine lange Lebensdauer des Gerätes zu gewährleisten. Beschränken Sie die Länge des Druckschlauches zwischen dem Gerät und dem Air-Set auf 10 m max (Siehe Abb. 9).

ANWENDBARE SCHMIERMITTEL

Type	Bezeichnung
Empfohlenes Öl	SHELL TONNA
Motor-Öl	SAE 10W, SAE 20W
Turbinen-Öl	ISO VG32 - 68 (#90 - #180)

Lärminformation

Lärmkennwerte entsprechend EN 792-13, Juni 2000:

Typischer A-bewerteter Schallpegel für ein einzelnes Ereignis: $LWA,1s,d = 105 \text{ dB (A)}$

Typischer A-bewerteter Schallpegel am Arbeitsplatz: $LpA,1s,d = 98 \text{ dB (A)}$

Messunsicherheit KpA: 2,5 dB (A)

Diese Werte sind mit dem Werkzeug zusammenhängende Werte und stellen nicht die Lärmentwicklung am Verwendungspunkt dar. Die Lärmentwicklung am Arbeitsplatz hängt z.B. von der Arbeitsumgebung, dem Werkstück, der Werkstückunterstützung, der Anzahl der Nageleintreibungen usw. ab.

Abhängig von den Bedingungen am Arbeitsplatz und der Form des Werkstücks müssen möglicherweise individuelle Lärmverhütungsmaßnahmen durchgeführt werden, z.B. Aufstellung des Werkstücks auf einer schalldämpfenden Unterstützung, Verhüten von Werkstückvibration durch Festklemmen oder Abdecken, Einstellen auf den minimalen für den Betrieb erforderlichen Luftdruck usw.

In besonderen Fällen ist das Tragen von Gehörschutz erforderlich.

Vibrationsinformation

Der typische Vibrationskennwert entsprechend EN 792-13, Juni 2000: $3,00 \text{ m/s}^2$ (NR90AD(S1)) $5,50 \text{ m/s}^2$ (NR90AE(S1))

Messunsicherheit K = 1,5 m/s².

Dieser Wert ist ein mit dem Werkzeug zusammenhängender Wert und repräsentiert nicht den Einfluß des Hand-Arm-Systems bei Verwendung des Werkzeugs. Der Einfluß auf das Hand-Arm-System bei Verwendung des Werkzeugs hängt z.B. von der Greifkraft, der Kontaktdruckkraft, der Arbeitsrichtung, der Einstellung der Energieversorgung, dem Werkstück und der Werkstückunterstützung ab.

(Traduction des instructions d'origine)

AVERTISSEMENTS GENERAUX

- 1. Utiliser l'outil en respectant la sécurité pour garantir un usage correct.**
Ne pas utiliser l'outil électrique pour des usages autres que ceux qui sont spécifiés dans ce mode d'emploi.
- 2. Pour garantir une utilisation en toute sécurité, manier l'outil électrique correctement.**
Suivre les instructions de ce mode d'emploi et manier l'outil correctement pour garantir une utilisation en toute sécurité. Veiller à ce que l'outil ne soit jamais utilisé par des enfants ou des personnes non suffisamment familiarisées avec l'outil pour le manier correctement, ni des gens qui ne savent pas l'utiliser correctement.
- 3. Assurez la sécurité de l'atelier.**
Tenez les personnes non-autorisées et spécialement les enfants en dehors de l'atelier.
- 4. Les bonnes pièces sur les bonnes places.**
Ne démontez ni les couvercles ni les vis puisqu'ils ont leur fonction précise. En plus, n'effectuez pas de modification à l'appareil et ne l'utilisez pas après une modification.
- 5. Contrôlez l'appareil avant de l'utiliser.**
Avant l'utilisation de l'appareil contrôlez toujours si aucune pièce n'est cassée, si tous les vis sont serrés et si l'il n'y a pas de pièce qui manque ou qui est rouillée.
- 6. Un travail continu excessif pourrait causer des accidents.**
N'employez l'appareil pas au-delà de ses capacités. Un travail continu ne cause pas seulement des dommages à l'appareil mais doit être considéré comme danger en soi-même.
- 7. Arrêtez le travail immédiatement si vous remarquez des anomalies.**
Arrêtez le travail si vous remarquez des anomalies ou si l'appareil ne fonctionne pas correctement; faites-le inspecter et réparer.
- 8. Soignez bien le cloueur.**
Si vous heurtez ou laissez tomber votre appareil, des fissures ou d'autres dommages peuvent apparaître. Veuillez donc faire parvenir les soins nécessaires à votre cloueur. En plus, ne grattez ou gravez pas de signes sur l'appareil. Vu que le cloueur est destiné à un emploi sous haute pression, des fissures dans la surface pourraient devenir dangereuses. N'utilisez l'appareil jamais si des fissures apparaissent ou si l'air échappe par une fissure.
- 9. Des bons soins assureront une longue vie.**
Prenez toujours des bons soins du cloueur et gardez-le propre.
- 10. Des inspections régulières sont essentielles pour garantir la sécurité.**
Inspectez le cloueur à des intervalles réguliers afin qu'il puisse être utilisé en sécurité et de façon efficace à tout moment.
- 11. Faites réparer et changer les pièces par un agent-service autorisé.**
Les réparations ne peuvent être effectuées que par des agents-service agréés par le producteur sous respect des instructions indiquées dans le manuel de manutention. Pour des réparations n'utilisez que des pièces d'origine HIKOKI.
- 12. Gardez le cloueur dans un lieu adéquat.**
S'il est hors usage, l'appareil doit être tenu dans un lieu sec hors portée des enfants. Pour protéger l'appareil contre la rouille, versez 5 à 10 gouttes d'huile par le raccord du tuyau.
- 13. La vue éclatée contenue dans ce manuel d'instructions doit être utilisée seulement dans un centre de réparation agréé.**

PRECAUTIONS A PRENDRE LORS DE L'USAGE DU CLOUEUR

- 1. La manutention en sécurité est garantie par un usage correcte.**
Cet appareil a été construit pour enfoncer des clous dans du bois ou des matériaux similaires. Utilisez-le seulement pour les emplois désignés.
- 2. Assurez que la pression d'air soit endéans la gamme nominale de pression d'air prévue.**
Les outils de serrage actionnés par air comprimé ne doivent être raccordés qu'à des lignes d'air comprimé où la pression maximum autorisée ne peut être excédée d'un facteur de plus de 10%, qui par exemple, peut être atteinte par une soupape de réduction de la pression équipée d'une soupape de sécurité en aval. (Pour le modèle NR90AD(S1)/NR90AE(S1), 110% de la pression nominale maximum autorisée est de 9,1 bar = 130 psi).

Les outils de serrage actionnés par air comprimé ne doivent être utilisés qu'à la pression la plus basse requise pour travailler à la main, afin d'éviter les niveaux sonores inutilement élevés, l'usure accrue et les dysfonctionnements inhérents.
- 3. N'utilisez jamais d'autres gaz haute-pression que de l'air comprimé.**
N'utilisez jamais du dioxyde de carbone, de l'oxygène ou d'autres gaz conditionnés dans des conteneurs sous pression.
- 4. Évitez les inflammations et les explosions.**
Vu que des étincelles peuvent se produire, il est dangereux d'utiliser l'appareil à proximité de laques, de couleurs, d'essence, de diluants, de fuel, de gaz, de colles ou d'autres substances inflammables similaires. Dans aucun cas, l'appareil ne doit être utilisé proche de pareils produits inflammables.
- 5. Protégez vos yeux à l'aide de lunettes de sécurité.**
Portez toujours des lunettes de sécurité si vous utilisez l'appareil et assurez que les personnes qui vous entourent en portent aussi. La possibilité que des fragments de clous qui sont mal enfoncés n'endommagent les yeux est un danger pour la vue. Vous trouvez des lunettes de sécurité dans chaque quincaillerie. Portez toujours des lunettes de sécurité ou un masque de sécurité si vous utilisez le cloueur. Les employeurs doivent veiller à ce que l'équipement de protection soit toujours porté.
- 6. Protégez vos oreilles.**
Veuillez porter des oreillettes lors de chaque usage du cloueur et veillez à ce que les personnes qui vous entourent en portent aussi.
- 7. Faites attention aux personnes qui travaillent proche de vous.**
Des clous qui sont mal enfoncés représentent un danger pour les personnes qui vous entourent. Veillez toujours à ne pas trop rapprocher votre corps, vos mains ou vos pieds du déclencheur.
- 8. Ne pointez jamais l'orifice de décharge en direction d'une personne.**
Si l'orifice de décharge est pointé en direction d'une personne, des accidents sérieux peuvent se produire si vous pressez la détente. En branchant ou débranchant le tuyau, en chargeant les clous etc., évitez de pointer l'orifice de décharge en direction d'une personne (vous-même inclus). Même s'il n'y a pas de clou dans l'outil, il serait dangereux de décharger l'outil tout en le dirigeant vers quelqu'un. Il ne faudra donc pas le faire. Ne jamais s'amuser avec l'outil. Le cloueur est un instrument de travail. Le respecter en tant que tel.

9. Contrôlez le levier de détente avant d'utiliser le cloueur.

Assurez-vous que le levier de détente et la soupape fonctionnent correctement. Branchez le tuyau et contrôlez les points suivants sans charger le cloueur. Si le cloueur produit le même bruit que lorsque vous enfoncez un clou, ceci indique qu'il fonctionne mal et qu'il doit être inspecté et réparé.

- Si le bruit d'opération est produit par le simple appui sur la détente, le cloueur fonctionne mal.
- Si le bruit d'opération est produit par le simple appui du levier de détente contre le matériel à fixer, le cloueur fonctionne mal.

10. Utilisez seulement des clous spécifiés.

Utilisez exclusivement les produits de fixation indiqués dans le manuel de manutention.

11. Soyez prudents en branchant le tuyau.

Pour assurer qu'aucun clou n'est tiré lorsque vous branchez le tuyau ou chargez les clous.

- ne touchez pas la détente.
- évitez de toucher l'orifice de décharge.
- pointez l'orifice de décharge vers le bas.

12. Ne touchez pas imprudemment la détente.

Ne posez pas votre doigt sur la détente si vous ne clouez pas. Si vous portez l'appareil ou si vous le passez à une autre personne tout en gardant le doigt sur la détente, vous pouvez causer un accident.

13. Pressez l'orifice de décharge fortement contre le matériel à fixer.

En enfonçant des clous, pressez l'orifice de décharge fortement contre le matériel à fixer. Si l'orifice est mal-posé, les clous peuvent rebondir.

14. Eloigner les mains et les pieds de la tête de clouage pendant l'utilisation.

Il serait très dangereux qu'un clou frappe les mains ou les pieds par erreur.

15. Évitez les contrecoups du cloueur.

Évitez d'approcher le haut du cloueur avec la tête pendant que vous clouez. Ceci est dangereux puisque l'appareil peut reculer violemment touchant un ancien clou enfoncé ou un nœud dans le bois.

16. Soyez prudents en clouant des planches minces ou les bords du bois.

En clouant des planches minces ou les bords du bois, les clous peuvent passer à travers ou être déviés. Dans ces cas, assurez-vous qu'il n'y a personne derrière le panneau ou proche du bois que vous êtes en train de clouer.

17. Il est dangereux de clouer simultanément sur les deux côtés d'un mur.

Il faut absolument éviter de clouer en même temps sur les deux côtés d'un mur puisque les clous peuvent passer à travers et causer ainsi de blessures.

18. Ne pas utiliser l'outil électrique sur des échafaudages ou des échelles.

Ne pas utiliser l'outil pour des applications spécifiques, par exemple:

- lorsque le changement d'une position de clouage fait intervenir l'utilisation d'échafaudages, d'escaliers, d'échelles ou de toute autre construction de type échelle, par ex. des lattes de pied,
- la fermeture de boîtes ou de caisses,
- la fixation de systèmes de sécurité, par ex. sur des véhicules ou des wagons

19. Ne débranchez pas le tuyau à air en gardant le doigt sur la détente.

Si vous débranchez le tuyau en gardant le doigt sur la détente, vous risquez que l'appareil éjecte spontanément un clou ou fonctionne mal lors du prochain usage.

20. Débranchez le tuyau à air et sortez tous les clous du chargeur après l'usage.

Débrancher l'outil de l'arrivée d'air avant de procéder à un entretien, retirer un clou coincé, quitter l'aire de travail, et après l'utilisation. Il serait très dangereux qu'un clou soit enfoncé par erreur.

21. Si vous sortez un clou qui a été coincé dans l'appareil, débranchez d'abord le tuyau et dégagez l'air comprimé.

Avant de sortir un clou qui est coincé dans l'orifice de décharge de l'appareil, débranchez le tuyau et dégagez l'air comprimé à l'intérieur du cloueur.

22. Ne branchez pas un raccord-rapide femelle directement sur l'appareil.

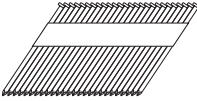
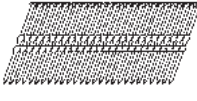
Lorsqu'un raccord-rapide femelle est monté directement sur l'appareil, l'air comprimé ne pourra sortir lors du débranchement et un clou peut être projeté si la détente est pressée.

SPECIFICATIONS

Modèle	NR90AD (S1)	NR90AE (S1)
Type	Piston réciproque	
Pression d'air	4,9 – 8,3 bar	
Clous applicables	voir fig.	
Nombre de clous	50 – 74 clous (2 recharges)	64 – 70 clous (2 recharges)
Dimension/cloueur	462 mm (L) × 322 mm (H) × 125 mm (larg.)	527 mm (L) × 322 mm (H) × 125 mm (larg.)
Poids	3,2 kg	3,4 kg
Méthode d'approvisionnement	Piston réciproque	
Tuyau (dia. int.)	8 mm	

SELECTION DES CLOUS

Seuls les clous indiqués dans le tableau ci-dessous pourront être utilisés avec ce cloueur.

NR90AD (S1)			NR90AE (S1)		
Recharge de clous à assemblage sur paier Clous sans tête	Min. 6,8 mm	Max. 7,7 mm	Recharge de clous à assemblage plastique Clous à tête	Min. 7 mm	Max. 7,6 mm
	50 mm 2,9 mm	90 mm 3,8 mm		50 mm 2,9 mm	90 mm 3,8 mm

Dimensions

ACCESSOIRES STANDARDS

- (1) Lunettes de protection 1
- (2) Capuchon de bec (montée sur l'outil) 1

APPLICATIONS

- Ossature de plancher et mur.
- Construction de ferme, construction de fenêtre.
- Platelage de sous-plancher et de sous-toiture.
- Coffrage de mur.
- Construction de grandes caravanes et de logements modulaires.

PREPARATIONS AVANT USAGE

1. Préparez le tuyau

Assurez-vous que le tuyau utilisé a un diamètre intérieur minimal de 8 mm.

REMARQUE

Les tuyaux d'approvisionnement d'air comprimé doivent fournir une pression minimale de 150 pourcent de la pression maximale produite.

2. Veillez à la sécurité

ATTENTION

- Des personnes non-autorisées (enfants inclus) doivent être tenus à l'écart de l'équipement.
- Portez une protection des yeux.
- Contrôlez si le vis qui tient le chapeau d'aération est bien serré.
Contrôlez s'il n'y a pas de fuite d'air ou de pièce défectueuse.
- Contrôlez si le levier-poussoir fonctionne correctement et si aucune crotte s'est posée sur les parties mobiles du bras.
- Veillez à la sécurité opérationnelle.

AVANT USAGE

1. Contrôlez la pression de l'air

ATTENTION

La pression d'air doit constamment être maintenue à 4,9 – 8,3 bar en relation avec le diamètre et la longueur du clou et la dûtreté du bois utilisé.

Veillez spécialement à la pression nominale, à la capacité et au tuyautage du compresseur de façon à ce que la pression ne dépasse pas la limite indiquée. Notez qu'une pression trop élevée peut porter préjudice à la performance, à la durée de vie et à la sécurité du cloueur.

2. Graissage

- (1) Montez un filtre-régulateur-lubrificateur entre le compresseur et le cloueur avant d'utiliser l'appareil. Ceci permet une longue durée de vie et contribue à l'anticorrosion.
Réglez le lubrificateur de façon à ce qu'il fournisse une seule goutte d'huile tous les 5 à 10 clouages.
- (2) Nous recommandons l'huile SHELL TONNA. Ne mélangez jamais deux ou plusieurs types et marques d'huile.

3. Comment charger les clous

- (1) Introduire la bande de clous par l'arrière du magasin à clous (Voir Fig. 2).
- (2) Faire coulisser la bande de clous vers l'avant dans le magasin.
La bande de clous doit passer par la butée à clous.
- (3) Tirer le dispositif d'alimentation de clous (B) en arrière de manière à engager le dispositif d'alimentation de clous (A) sur la bande de clous.

REMARQUE

Utiliser une recharge de clous de plus de 5 clous.

Le cloueur est maintenant prêt à fonctionner.

Retirer les clous:

- ① Tirer l'alimenteur de clous (B) vers l'arrière.
- ② Ramener délicatement l'alimenteur de clous (B) vers l'avant tout en poussant sur l'alimenteur de clous (A).
- ③ Pousser la butée de clou vers le côté du magasin, et sortir les clous par le dos du magasin.

ATTENTION

Ne touchez pas la détente et ne placez le levier de détente pas sur le banc de travail ou sur le sol.

Ne pointez l'orifice de décharge jamais en direction d'une personne.

COMMENT UTILISER LE CLOUEUR

ATTENTION

- N'utilisez jamais la tête ou le corps de l'appareil comme marteau.
- Prenez soins des personnes qui vous entourent lorsque vous clouez.

1. Différentes méthodes de clouer

Ce cloueur HIKOKI est équipé d'un dispositif de commutation de l'opération de clouage.

Utiliser le MÉCANISME DE DÉCLENCHEMENT SÉQUENTIEL UNIQUE ou le MÉCANISME DE DÉCLENCHEMENT PAR CONTACT en fonction du travail à effectuer.

(1) Clouage interrompu

Régler le dispositif de commutation sur la position relevée (pour le régler sur MÉCANISME DE DÉCLENCHEMENT SÉQUENTIEL UNIQUE) (Voir Fig. 3).

Pressez l'orifice de décharge sur le lieu désigné, puis tirez la détente pour enfoncer le clou) (Voir Fig. 4).

Quand un clou est enfoncé, il n'est plus possible d'enfoncer un autre clou tant que l'on n'a pas relâché la gâchette et appuyé à nouveau.

AVERTISSEMENT

Un clou sera libéré chaque fois que la détente sera enfoncée, en autant que le lever-poussoir demeure enfoncé.

ATTENTION

Si vous ne tirez pas rapidement d'un coup sec sur la détente quand vous utilisez le clouage unique, la machine risque de rebondir et d'éjecter plusieurs clous au lieu d'un seul. Pour éviter cet inconvénient, appuyez rapidement, d'un coup sec sur la détente.

(2) Bras de contact

En pressant l'orifice de décharge vers le bas, assurez-vous que le bras de contact est levé suffisamment pour déclencher le verrou de sécurité (Voir Fig. 4). Sinon, il sera impossible de clouer.

(3) Clouage continu

Régler le dispositif de commutation sur la position complètement abaissée (pour le régler sur MÉCANISME DE DÉCLENCHEMENT PAR CONTACT) (Voir Fig. 5).

Tirez d'abord la détente; puis placez l'orifice de décharge sur le lieu désigné et clouez automatiquement (Voir Fig. 6).

Le MÉCANISME DE DÉCLENCHEMENT SÉQUENTIEL UNIQUE est utilisé lorsqu'un placement précis des attaches est nécessaire.

Le MÉCANISME DE DÉCLENCHEMENT SÉQUENTIEL UNIQUE peut réduire les risques de blessures physiques pour l'opérateur et les autres personnes présentes sur l'aire de travail par rapport au MÉCANISME DE DÉCLENCHEMENT PAR CONTACT. **En effet, il risque moins d'enfoncer accidentellement un clou si l'on garde le doigt sur la gâchette et qu'on appuie accidentellement le levier-poussoir contre soi ou contre une autre personne.**

Le MÉCANISME DE DÉCLENCHEMENT SÉQUENTIEL UNIQUE peut également réduire la vitesse de fonctionnement par rapport au MÉCANISME DE DÉCLENCHEMENT PAR CONTACT. Il est conseillé aux opérateurs débutants d'utiliser LE MÉCANISME DE DÉCLENCHEMENT SÉQUENTIEL UNIQUE.

ATTENTION

- Soyez prudents en clouant les bords. Lors du clouage continu, un clou risque d'être dévié et de dépasser le bois.
- Ne pas enfoncer deux clous l'un sur l'autre.
- Ne pas enfoncer de clous sur des pièces métalliques.

REMARQUE

- Précautions à prendre lors du clouage à vide
Il peut arriver que le clouage continue après que le magasin a été vidé. Ceci est appelé clouage à vide et peut endommager l'amortisseur, le magasin et le poussoir de clous.
Pour éviter ceci, contrôlez le nombre de clous de temps en temps. Sortez toujours les clous non-utilisés si vous arrêtez le clouage.

- Toujours manier les clous et le paquet avec précaution. Si les clous tombent, le liant d'assemblage risque de se déchirer.

- Après le clouage :

- (1) débrancher le tuyau d'air du cloueur ;
- (2) sortir tous les clous du cloueur ;
- (3) mettre 5 ou 10 gouttes d'huile de machine pneumatique HIKOKI dans le bouchon d'air du cloueur ; et
- (4) ouvrir le robinet de purge du réservoir du compresseur d'air pour purger toute l'humidité.

- A des températures basses, l'outil peut ne pas fonctionner correctement. Toujours utiliser l'outil à une température ambiante appropriée.

2. Réglage de la profondeur de clouage (Voir Fig. 7)

Pour garantir que chaque clou pénètre à la même profondeur, bien s'assurer que:

- (1) la pression d'air du cloueur reste constante (le régulateur est installé et il fonctionne correctement), et
- (2) le cloueur est toujours tenu fermement contre la pièce.

Si les clous sont enfoncés trop ou pas assez profondément dans la pièce, régler le clouage en procédant dans l'ordre suivant.

- ① DÉBRANCHER LE TUYAU D'AIR DU CLOUEUR.
- ② Si les clous s'enfoncent trop profondément, tourner l'ajusteur sur le côté peu profond.
Si les clous s'enfoncent trop peu profondément, tourner l'ajusteur sur le côté profond.
- ③ Cesser de tourner lorsque l'ajusteur arrive à la bonne position à l'essai de clouage.
- ④ Raccorder le tuyau d'air.
TOUJOURS PORTER DES LUNETTES DE PROTECTION.

Faire un essai de clouage.

- ⑤ DÉBRANCHER LE TUYAU D'AIR DU CLOUEUR.
- ⑥ Sélectionner la position qui convient pour l'ajusteur.

3. Utilisation du capuchon de bec (Voir Fig. 8)

ATTENTION

Pour détacher le capuchon du bec ou le remettre en place, bien veiller à retirer le doigt du déclencheur et à déconnecter le tuyau d'air du cloueur.

Le capuchon de bec se fixe au bout du bras de contact pour protéger la pièce à travailler des éraflures ou des dommages. Retirer selon la séquence ci-dessous lorsqu'il ne sert pas.

- (1) DISANCHER LE TUYAU D'AIR DU CLOUEUR.
 - (2) Tirer le capuchon de bec dans la direction de la flèche, comme le montre le schéma.
- Attacher au bout du bras de contact en inversant la séquence de démontage.

INSPECTION ET MANUTENTION

ATTENTION

Débranchez toujours le tuyau d'air si vous nettoyez ou inspectez le cloueur.

1. Inspection du magasin

- ① DEBRANCHER LE TUYAU D'AIR.
- ② Nettoyez le magasin. Otez les bouts de papier ou de bois qui peuvent s'y être accumulés. Lubrifiez avec le lubrifiant pour outils pneumatiques HiKOKI.

2. Contrôlez les vis de fixation pour chaque pièce

Il faut contrôler régulièrement s'il n'y a pas de vis desserrés ou de fuites d'air. Employer le cloueur avec des vis desserrés peut causer des accidents.

3. Vérifier si le levier-poussoir glisse sans difficulté

Nettoyer la section coulissante du levier-poussoir et la graisser de temps en temps avec l'huile de graissage fournie.

Le graissage permet de faciliter le coulissement en même temps qu'il contribue à éviter la formation de rouille.

4. Rangement

- Quand on ne se sert pas de la cloueuse pendant une durée prolongée, enduire les pièces en acier d'une fine couche de graisse pour éviter qu'elles ne rouillent.
 - Ne pas ranger la cloueuse dans un environnement froid. La laisser dans un endroit chaud.
 - Quand on ne se sert pas de la cloueuse, la ranger dans un endroit chaud et sec.
- Ranger hors de portée des enfants.

5. Liste des pièces de rechange

- A: No. élément
- B: No. code
- C: No. utilisé
- D: Remarques

ATTENTION

Les réparations, modifications et inspections des outils électriques HiKOKI doivent être confiées à un centre de service après-vente HiKOKI agréé.

Il sera utile de présenter cette liste de pièces à un centre de service après-vente HiKOKI agréé lorsqu'on apporte un outil nécessitant des réparations ou tout autre entretien.

Lors de l'utilisation et de l'entretien d'un outil électrique, respecter les règlements et les normes de sécurité en vigueur dans le pays en question.

MODIFICATIONS

Les outils électriques HiKOKI sont constamment améliorés et modifiés afin d'incorporer les tous derniers progrès technologiques.

En conséquence, il est possible que certaines pièces (c.-à-d. no. de code et/ou dessin) soient modifiées sans avis préalable.

COMPRESSEUR

ATTENTION

Si la pression maximale du compresseur à air dépasse les 8,3 bar, il vous faut installer une valve réductrice entre le compresseur et la cloueure. Puis, ajustez la pression d'air entre 4,9 et 8,3 bar.

L'installation d'un filtre-régulateur-lubrificateur assure un entretien permanent.

FILTRE-REGULATEUR-LUBRIFICATEUR

Afin d'assurer un fonctionnement optimal et une longue durée de vie, il est conseillé d'installer un filtre-régulateur-lubrificateur.

Limitez la longueur du tuyau entre le filtre-régulateur-lubrificateur et le cloueur à 10 mètres (Voir Fig. 9).

LUBRIFIANTS AUTORISES

TYPE	NOM
Huile recommandée	SHELL TONNA
Huile moteur	SAE 10 W, SAE 20 W
Huile turbine	ISO VG32 – 68 (#90 – #180)

Information sur le bruit

Valeurs des caractéristiques de bruit conformément à EN 792-13, juin 2000:

Niveau type de puissance sonore de l'enfoncement d'un clou, pondéré A L_{WA} , A, s, d = 105 dB (A)
 Niveau type de pression sonore d'émission de l'enfoncement d'un clou, pondéré A, au poste de travail L_{pA} , A, s, d = 98 dB (A)

Incertitude KpA: 2,5 dB (A)

Ces valeurs sont des valeurs caractéristiques relatives à l'outil et elles ne représentent pas la génération de bruit au point d'utilisation. La génération de bruit au point d'utilisation pourra dépendre par exemple de l'environnement de travail, de la pièce, du support de pièce, du nombre d'opérations de clouage, etc.

Selon les conditions du lieu de travail et la forme de la pièce, il faudra peut-être adopter des mesures individuelles d'atténuation du bruit, par exemple en plaçant les pièces sur des supports d'insonorisation, en supprimant la vibration des pièces au moyen de serrage ou de couvertures, en réglant l'outil à la pression d'air la plus faible possible pour l'opération en question, etc.

Dans certains cas spéciaux, il faudra porter des protections anti-bruit.

Information sur les vibrations

La valeur type des caractéristiques de vibrations conformément à EN 792-13, juin 2000: 3,00 m/s² (NR90AD(S1)) 5,50 m/s² (NR90AE(S1))
 Incertitude K: 1,5 m/s²

Cette valeur est une valeur caractéristique relative à l'outil et elle ne représente pas l'influence sur le système main-bras lors du fonctionnement de l'outil. L'influence sur le système main-bras lors du fonctionnement de l'outil pourra dépendre par exemple de la force de saisie, de la force de la pression de contact, du sens de travail, du réglage de l'alimentation énergétique, de la pièce et du support de pièce.

PRECAUZIONI GENERALI

- 1. Utilizzate l'utensile pneumatico in sicurezza e in modo appropriato.**
Non usatelo per scopi diversi da quelli specificati in queste istruzioni.
- 2. Per un utilizzo in sicurezza, impugnate l'utensile correttamente.**
Seguite le istruzioni contenute in questo manuale e impugnate correttamente questo utensile in modo da operare in sicurezza. Non lasciate mai che l'utensile venga usato da bambini o da persone che non lo conoscono abbastanza per poterlo usare correttamente, o che comunque non sono in grado di usarlo.
- 3. Rendete sicuro il luogo di lavoro.**
Tenete le persone non autorizzate lontane dal luogo di lavoro. Specialmente i bambini dovrebbero tenersi lontani.
- 4. I pezzi giusti al posto giusto.**
Non rimuovete tappi o viti. Teneteli al loro posto così che possano funzionare correttamente. Non fate mai modifiche all'utensile perché potrebbe essere molto pericoloso.
- 5. Controllate sempre l'utensile prima dell'uso.**
Prima di utilizzare l'utensile, controllate sempre che vi siano delle Parti rotte, che tutte le viti siano completamente fissate, che non manchino dei pezzi o che non siano arrugginiti.
- 6. Un eccessivo prolungamento del lavoro può causare incidenti.**
Non fate lavorare l'utensile e gli accessori oltre le loro possibilità. Un eccessivo prolungamento del lavoro potrebbe danneggiare non solo l'utensile, ma anche voi stessi.
- 7. Fermate immediatamente le operazioni se accade qualcosa di insolito.**
o se l'utensile non lavora in modo appropriato; fatelo controllare e fate fare la manutenzione.
- 8. Fate attenzione all'utensile dopo l'uso.**
Se appoggiate o urtate l'utensile contro qualcosa, il telaio esterno potrebbe essere deformato e rompersi o potrebbe subire altri tipi di danni, quindi maneggiatelo con cura. Non graffiate e non incidete scritte sull'utensile. Lasciando l'aria ad alta pressione all'interno dell'utensile, le spaccature sulla superficie sarebbero pericolose. Non usate mai l'utensile se si verifica una spaccatura o se l'aria fuoriesce dalle spaccature.
- 9. Tenetelo con cura per una lunga durata.**
Tenete sempre l'utensile in buone condizioni e pulito.
- 10. L'ispezione a intervalli regolari è indispensabile ai fini della sicurezza.**
Controllate l'utensile a intervalli regolari in modo che questo possa operare sempre in sicurezza ed efficientemente.
- 11. Consultate un rivenditore autorizzato se dovete fare delle riparazioni o delle sostituzioni di pezzi.**
Assicuratevi che la manutenzione venga fatta solo da un rivenditore autorizzato e che questo utilizzi soltanto parti di ricambio originali.
- 12. Tenete l'utensile in un luogo appropriato.**
Quando non lo usate, l'utensile dovrebbe essere tenuto in un luogo asciutto e lontano dalla portata dei bambini. Mettete nel serbatoio circa 2 cc di olio attraverso il tubo in modo da proteggere l'utensile dalla ruggine.
- 13. Gli esplosi per l'assemblaggio contenuti in queste istruzioni devono essere usati solo da un centro assistenza autorizzato.**

PRECAUZIONI PER L'USO

- 1. Operazioni sicure grazie a un corretto uso.**
Questo utensile è stato progettato per inserire dei chiodi nel legno e in altri materiali simili. Usatelo solo a questo fine.
- 2. Assicuratevi che la pressione dell'aria si mantenga entro la portata.**
Gli utensili di guida di fissaggio funzionanti tramite aria compressa devono essere solamente collegati a linee d'aria dove la massima pressione consentita non può essere superata da un fattore di oltre 10% che, per esempio, può essere ottenuto tramite una valvola di riduzione della pressione comprendente una valvola di sicurezza a valle.
(Per il modello NR90AD(S1)/NR90AE(S1), 110% la massima pressione nominale consentita è 9,1 bar = 130 psi)
- Gli utensili di guida di fissaggio funzionanti tramite aria compressa devono essere adoperati solamente alla pressione più bassa richiesta per il processo di lavoro corrente, per prevenire livelli di rumore eccessivamente alti, un aumento dell'usura e conseguenti guasti.
- 3. Non usate l'equipaggiamento con gas in pressione diversi dall'aria compressa.**
Non utilizzate mai biossido di carbonio, ossigeno o altri gas da contenitori pressurizzati.
- 4. Fate attenzione ad accensioni e ad esplosioni.**
A causa delle scintille che potrebbero volare durante le operazioni, è pericoloso usare questo utensile vicino a lacca, vernice, benzina, solvente, gasolio, gas, adesivi e altre sostanze infiammabili simili che potrebbero infiammarsi ed esplodere. In nessuna circostanza questo utensile può essere utilizzato in prossimità di materiali infiammabili.
- 5. Indossate sempre una protezione per gli occhi (occhiali di protezione).**
Quando usate questo utensile, indossate sempre gli occhiali di protezione, e assicuratevi che anche le persone intorno li indossino.
La possibilità che frammenti di cavo o di plastica che uniscono i chiodi o che chiodi non propriamente inseriti colpiscano gli occhi è da prevedere. Gli occhiali di protezione possono essere acquistati in qualsiasi negozio di ferramenta. Indossateli sempre durante l'uso dell'utensile. Usate gli occhiali di protezione o la mascherina ad ampia visuale su prescrizione.
L'utilizzatore dovrebbe sempre preoccuparsi di utilizzare l'equipaggiamento di protezione.
- 6. Proteggete le vostre orecchie e la testa.**
Quando siete impegnati nell'uso della chiodatrice, indossate sempre le protezioni per orecchie e testa. Inoltre, in base alla condizione, assicuratevi che anche le persone intorno indossino il para orecchie e la protezione per la testa.
- 7. Fate attenzione a quelli che lavorano vicino a voi.**
Potrebbe essere molto pericoloso se i chiodi che non sono stati correttamente inseriti colpiscono altre persone. In ogni caso, fate sempre attenzione alla sicurezza delle persone attorno a voi quando state usando la chiodatrice. Assicuratevi che non ci sia il corpo di qualcuno, mani o piedi vicino all'uscita dei chiodi.
- 8. Non puntate mai la chiodatrice in direzione delle persone.**
Tenete sempre chiusa la chiodatrice.
Se l'apertura è puntata in direzione di persone, potrebbero verificarsi seri incidenti se per errore azionate la chiodatrice. Quando connettete e sconnettete il tubo, durante il caricamento dell'utensile o altre operazioni, assicuratevi che l'apertura della chiodatrice non sia puntata in direzione di persone (inclusi voi stessi).

Se la chiodatrice non è caricata, è pericoloso scaricare l'utensile mentre è puntato verso qualcuno. Abbiate cura dell'utensile come uno strumento di lavoro.

9. Prima di usare la chiodatrice, controllate la leva di espulsione.

Prima di usare la chiodatrice assicuratevi di controllare la leva di espulsione e che la valvola funzioni correttamente. Senza chiodi caricati nell'utensile, collegate il tubo dell'aria e controllate ciò che segue. Se dopo aver collegato il tubo l'utensile spara un colpo, ciò indica un difetto, quindi non usate la chiodatrice fino a quando questa non viene controllata e riparata.

- Se la chiodatrice spara azionando solamente il grilletto, l'utensile è danneggiato.
- Se spara solamente quando premete la leva contro un materiale, la chiodatrice è danneggiata. Comunque, riguardo alla leva tastatore, tenete presente che essa non deve mai essere rimossa o modificata.

10. Usate solo chiodi specifici.

Non usate mai chiodi diversi da quelli descritti in queste istruzioni.

11. Fate attenzione quando connettete il tubo.

Quando connettete il tubo e caricate i chiodi, per non sparare per errore.

Con la chiodatrice, fate attenzione a quanto segue.

- Non toccate il grilletto.
- Non lasciate che l'estremità della chiodatrice tocchi alcuna superficie.
- Tenete l'estremità della chiodatrice verso il basso. Seguite strettamente le istruzioni di cui sopra e assicuratevi sempre che non vi sia alcuna parte del vostro corpo o di quello di altre persone di fronte all'apertura della chiodatrice.

12. Evitate di mettere il dito sul grilletto.

Non mettete il dito sul grilletto eccetto quando dovete sparare i chiodi. Se porgete o consegnate l'utensile a qualcuno mentre avete il vostro dito appoggiato sul grilletto, potreste inavvertitamente sparare un chiodo e causare un incidente.

13. Premete con forza l'apertura della chiodatrice contro il materiale interessato.

Quando guidate un chiodo, premete con forza l'apertura dell'utensile contro il materiale da colpire. Se l'apertura non è correttamente premuta, i chiodi potrebbero rimbalzare.

14. Tenete le mani e i piedi lontani dalla testa dell'utensile quando lo usate.

E' molto pericoloso che la chiodatrice colpisca mani o piedi per errore.

15. State attenti al contraccolpo.

Non avvicinatevi all'estremità dell'utensile con il capo durante le operazioni. Sarebbe molto pericoloso perché l'utensile potrebbe subire un violento contraccolpo se il chiodo che state guidando, entra in contatto con uno già inserito o con un nodo del legno.

16. Usate molta cautela quando inchiodate assi sottili o gli angoli del legno.

Quando inchiodate assi sottili, i chiodi potrebbero trapassare, così come anche nel caso in cui dovete inchiodare gli angoli del legno a causa della deviazione dei chiodi. In questi casi assicuratevi sempre che non vi sia nessuno nelle vicinanze dietro l'asse o vicino al legno che dovete inchiodare.

17. La chiodatura simultanea da ambo le parti della stessa parete è pericolosa.

In nessun caso la chiodatura dovrebbe essere fatta allo stesso tempo sui due lati di una parete.

Questo potrebbe essere molto pericoloso perché i chiodi possono attraversare la parete e causare seri incidenti.

18. Non usare l'utensile elettrico su scaffalature, scale.

L'utensile elettrico non va usato per applicazioni specifiche, come ad esempio:

- Quando il passaggio da un punto di chiodatura ad un altro prevede l'uso di scaffalature, gradini, scale o simili, come intelaiature,
- Chiusura di scatole o casse,
- Applicazione di sistemi di sicurezza per trasporto, ad esempio su veicoli o rimorchi

19. Non sconnettete il tubo con le dita sul grilletto.

Se sconnettete il tubo con le dita appoggiate sul grilletto, c'è il rischio che la volta successiva che connette il tubo dell'aria, l'utensile spari un colpo o funzioni scorrettamente.

20. Disconnettete il tubo e togliete qualsiasi chiodo lasciato nel caricatore dopo l'uso.

Disconnettete l'utensile dall'aria prima di effettuare la manutenzione, la pulizia da residui del materiale che lega i chiodi, di lasciare l'area di lavoro, di spostare l'utensile in un altro luogo, o dopo averlo usato. E' molto pericoloso che un chiodo venga sparato per errore.

21. Quando rimuovete un chiodo inceppato, assicuratevi prima di tutto.

Prima di tutto di disconnettere il tubo e di rilasciare l'aria compressa all'interno dell'utensile.

Lo sparo accidentale di un chiodo potrebbe essere molto pericoloso.

22. Non usate mai un connettore aria femmina nel corpo macchina.

Se nel corpo della chiodatrice è installata una spina femmina, l'aria compressa può talvolta non essere estratta quando il tubo è sconnesso, perciò evitate questo.

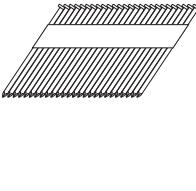
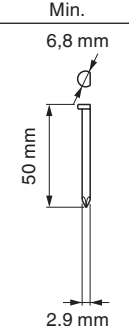
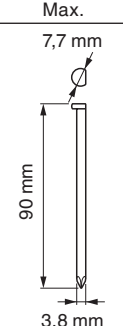
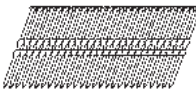
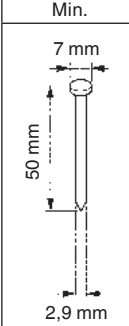
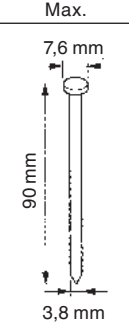
L'utensile e il foro di uscita dell'aria devono avere un attacco così che tutta la pressione sia rimossa dall'utensile quando la giunzione è sconnessa.

SPECIFICHE

Modello	NR90AD (S1)	NR90AE (S1)
Tipo di potenza	Pistone alternativo	
Pressione dell'aria	4,9 – 8,3 bar	
Chiodi applicabili	Vedere Fig.	
Quantità chiodi caricabili	50 – 74 chiodi (2 caricatore)	64 – 70 chiodi (2 caricatore)
Misure	462 mm (Lu) × 322 mm (A) × 125 mm (La)	527 mm (Lu) × 322 mm (A) × 125 mm (La)
Peso	3,2 kg	3,4 kg
Metodo di alimentazione	Pistone alternativo	
Foro (diametro interno)	8 mm	

SELEZIONE CHIODI

Solo i chiodi indicati nella Tabella di seguito possono essere fissati con questa Chiodatrice.

NR90AD (S1)			NR90AE (S1)		
Chiodi a U per graffe di carta Punte a testa squadrata	Min. 6,8 mm	Max. 7,7 mm	Chiodi a U per graffe in plastica Punte a testa piena	Min. 7 mm	Max. 7,6 mm
					

Dimensioni dei chiodi

ACCESSORI STANDARD

- (1) Occhiali di protezione 1
 (2) Tappo naso (montato sull'utensile) 1

APPLICAZIONI

- Intelaiatura di pavimenti e pareti.
- Costruzione di avvolgimenti. Costruzione di finestre.
- Sottopavimenti e piani di tetto.
- Rivestimento di pareti.
- Costruzione di case mobili e prefabbricati.

PREPARAZIONE PRIMA DELL'UTILIZZO

1. Preparare il tubo

Assicuratevi di utilizzare un tubo con un diametro interno di almeno 8 mm.

NOTA

I tubi dell'aria devono avere una pressione minima di 12,8 bar o 150% della pressione massima prodotta dal sistema dell'aria.

2. Controllate la sicurezza

CAUTELA

- Le persone non autorizzate (inclusi i bambini) devono essere tenute lontane dall'equipaggiamento.
- Indossate la protezione per gli occhi.
- Controllate che le viti che fissano il coperchio dello scarico siano ben fissate.
- Controllate che la chiodatrice non abbia perdite d'aria o parti difettate o arrugginite.
- Controllate se la leva tastatore lavora correttamente. Controllate anche che non vi sia della polvere tra le parti in movimento della leva tastatore.
- Ricontrollate che le operazioni siano sicure.

PRIMA DELL'USO

1. Controllate la pressione dell'aria

CAUTELA

La pressione dell'aria deve essere mantenuta costantemente a 4,9 – 8,3 bar.
 Regolate la pressione dell'aria tra 4,9 to 8,3 bar in base al diametro e alla lunghezza dei chiodi e alla

consistenza del legno che dovete inchiodare. Prestate particolare attenzione alla pressione in uscita, alla capacità, ed ai tubi del compressore aria, in modo che la pressione non superi il limite specificato. Notate che un'eccessiva pressione potrebbe provocare una diminuzione delle prestazioni, della durata della vita dell'utensile e della sicurezza.

2. Lubrificazione

- (1) Prima di utilizzare la chiodatrice, assicuratevi di mettere un kit deumidificatore e lubrificatore tra il compressore e la macchina.

La lubrificazione attraverso questo kit offre un utilizzo scorrevole, di lunga durata, e protetto dal rischio di corrosione.

Regolate l'oliatore in modo che una singola goccia di olio sia fornita ad intervalli di 5 – 10 cicli di chiodatura.

- (2) Vi preghiamo di usare l'olio raccomandato (SHELL TONNA). Gli altri oli applicabili sono elencati. Non mescolate mai due o più tipi di oli diversi.

3. Caricare i chiodi

- (1) Inserire la striscia di chiodi nel retro del contenitore (Vedere Fig. 2).

- (2) Far scorrere in avanti la striscia di chiodi nel contenitore. La striscia di chiodi deve passare il fermachiodi.

- (3) Tirare indietro l'alimentatore chiodi (B) per agganciare l'alimentatore chiodi (A) alla striscia di chiodi.

NOTA

Usare una striscia di chiodi con più di 5 chiodi.

La chiodatrice è ora pronta al funzionamento.

Rimozione dei chiodi:

- ① Tirare indietro l'alimentatore chiodi (B).
- ② Riportare lentamente in avanti l'alimentatore chiodi (B) mentre si spinge l'alimentatore chiodi (A).
- ③ Tirare il fermachiodi verso il lato del contenitore e estrarre i chiodi dal retro del contenitore.

CAUTELA

Per evitare attivazioni accidentali, non toccare mai il grilletto o collocare la parte superiore della leva di spinta su un tavolo di lavoro o sul pavimento. Inoltre non puntare mai l'uscita chiodi verso alcuna persona.

COME USARE LA CHIODATRICE

CAUTELA

- Non usate mai la testa o il corpo della chiodatrice come martello.
- Prendete le precauzioni per salvaguardare la sicurezza delle persone nelle vicinanze delle operazioni.

1. Procedure per la chiodatur

Questa chiodatrice HiKOKI è munita di un dispositivo di commutazione per l'operazione di chiodatura. Utilizzare il MECCANISMO DI COMANDO SINGOLO IN SEQUENZA o IL MECCANISMO DI COMANDO A CONTATTO in base al tipo di lavoro da eseguire.

(1) Chiodatura intermittente

Impostare il dispositivo di commutazione in posizione ascendente (per impostare sul MECCANISMO DI COMANDO SINGOLO IN SEQUENZA) (Vedere Fig. 3). Premete la chiodatrice nel punto desiderato; poi tirate il grilletto per guidare il chiodo con un singolo sparo (Vedere Fig. 4).

Dopo aver eseguito la chiodatura una volta, non sarà più possibile eseguirla nuovamente finché il grilletto viene rilasciato e premuto nuovamente.

AVVERTENZA

Fin tanto che la leva è premuta, un chiodo sarà sparato ogni volta che è premuto il grilletto.

CAUTELA

Se non tirate il grilletto rapidamente e con decisione nella modalità di singolo sparo, la chiodatrice rimbalzerà e sparerà diversi chiodi invece che solo uno. Per evitare questo, assicuratevi di tirare il grilletto in modo rapido e deciso.

(2) Leva tastatore

Quando premete fuori il chiodo, assicuratevi di sollevare la leva tastatore completamente (Vedere Fig. 4) per rilasciare il blocco. In questo modo i chiodi non possono essere guidati senza il rilascio della leva di blocco.

(3) Chiodatura continua

Impostare il dispositivo di commutazione in posizione discendente (per impostare sul MECCANISMO DI COMANDO A CONTATTO) (Vedere Fig. 5).

Prima premete il grilletto. Poi abbassate il dispositivo nella posizione desiderata per guidare automaticamente i chiodi (Vedere Fig. 6).

Il MECCANISMO DI ATTIVAZIONE SINGOLA IN SEQUENZA serve per le operazioni di precisione.

Il MECCANISMO DI ATTIVAZIONE SINGOLA IN SEQUENZA, se paragonato al MECCANISMO DI ATTIVAZIONE A CONTATTO, può ridurre il pericolo di lesioni all'operatore ed ai presenti nell'area di lavoro. **Questo perché non spara inavvertitamente i chiodi nel caso il grilletto sia premuto e si eserciti una pressione accidentale della leva.**

Il MECCANISMO DI ATTIVAZIONE SINGOLA IN SEQUENZA, se paragonato al MECCANISMO DI ATTIVAZIONE A CONTATTO, può anche ridurre la velocità operativa. Il MECCANISMO DI ATTIVAZIONE SINGOLA IN SEQUENZA è raccomandato per gli utenti inesperti.

CAUTELA

- Operate con cura quando chiodate gli angoli dei flessibili. Se effettuate una chiodatura continua degli angoli di un flessibile, un chiodo può andare fuori strada o sfondare l'angolo.
- Non piantare un chiodo su un altro chiodo.
- Non piantare un chiodo su parti metalliche.

NOTA

- Precauzioni sul funzionamento a caricatore vuoto
A volte la chiodatura continua dopo che sono stati sparati tutti i chiodi presenti nel contenitore. Questo si chiama il funzionamento a caricatore vuoto. Tale operazione può danneggiare l'ammortizzatore, il contenitore e l'alimentatore chiodi.
Per evitare il funzionamento a caricatore vuoto, controllare di tanto in tanto la quantità di chiodi rimanenti. D'altro canto, tutti i chiodi vanno rimossi dopo il uso della chiodatrice.
 - Trattare sempre con cautela i chiodi e il nastro. Se si fanno cadere i chiodi, il legame che li tiene insieme si potrebbe rompere.
 - Dopo l'inchiodatura:
 - (1) scollegare il tubo dell'aria dalla chiodatrice;
 - (2) togliere tutti i chiodi dalla chiodatrice;
 - (3) applicare 5-10 gocce di lubrificante HiKOKI per utensili pneumatici nella presa dell'aria della chiodatrice e
 - (4) aprire il rubinetto di spurgo del serbatoio del compressore ad aria per eliminare l'umidità.
 - In condizioni di bassa temperatura la macchina a volte non funziona correttamente. Usare sempre la macchina alla temperatura ambiente appropriata.
- ### 2. Regolare la profondità di inchiodatura (Vedere Fig. 7)

Per fare in modo che ogni chiodo penetri alla stessa profondità, assicurarsi che:

- (1) la pressione dell'aria nella chiodatrice rimanga costante (il regolatore installato e funziona correttamente) e
- (2) la chiodatrice sia sempre tenuta saldamente contro il pezzo da lavorare.

Se i chiodi penetrano troppo in profondità o troppo poco nel pezzo, regolare l'inchiodatura nel seguente ordine.

- ① STACCARE IL TUBO DELL'ARIA DALLA CHIODATRICE.
- ② Se i chiodi vengono inseriti troppo in profondità, ruotare il regolatore verso il lato meno profondo. Se i chiodi vengono inseriti troppo superficialmente, ruotare il regolatore verso il lato profondo.
- ③ Smettere di ruotare il regolatore quando si raggiunge una posizione adatta per una prova di inchiodatura.
- ④ Collegare il tubo dell'aria. **INDOSSARE SEMPRE PROTEZIONE PER GLI OCCHI.**
Eseguire una prova di inchiodatura.
- ⑤ STACCARE IL TUBO DELL'ARIA DALLA CHIODATRICE.
- ⑥ Scegliere una posizione adatta per il regolatore.

3. Utilizzo del tappo del naso (Vedere Fig. 8)

CAUTELA

Quando staccate o fissate il tappo del naso, assicuratevi di togliere il dito dal grilletto e scollegare il tubo dell'aria dalla chiodatrice.

Il tappo del naso è fissato alla punta della leva di spinta per proteggere il pezzo da lavorare da graffi o altri danni. Rimuovere nell'ordine indicato di seguito quando non si utilizza l'utensile.

- (1) SCOLLEGARE IL TUBO DELL'ARIA DALLA CHIODATRICE.
- (2) Estrarre il tappo del naso in direzione della freccia come indicato nel diagramma.
- Fissare alla punta della leva di spinta nell'ordine inverso del distacco.

CONTROLLI E MANUTENZIONE

CAUTELA

Assicuratevi di disconnettere il tubo durante le operazioni di controllo, manutenzione e pulizia.

1. Ispezione del contenitore

① SCOLLEGARE IL TUBO DELL'ARIA.

② Pulire il contenitore. Rimuovere pezzetti di carta o di legno che si sono accumulati nel contenitore. Lubrificare con lubrificante HiKOKI per utensili pneumatici.

2. Controllate le viti di montaggio

A intervalli regolari controllate che ogni parte non abbia le viti di montaggio allentate e che non ci siano perdite d'aria. Fissate qualsiasi vite allentata. Utilizzando l'equipaggiamento con le viti allentate potreste incorrere in un incidente.

3. Ispezione della leva di spinta

Controllare se la leva di spinta può scorrere bene. Pulire la parte scorrevole della leva di spinta e usare l'olio in dotazione per lubrificare di tanto in tanto. La lubrificazione permette un buono scorrimento e serve inoltre ad evitare la formazione di ruggine.

4. Conservazione

○ Quando non si usa l'utensile per lunghi periodi, applicare un leggero strato di lubrificante alle parti in acciaio per evitare la formazione di ruggine.

○ Non riporre la chiodatrice in luoghi freddi. Tenere la chiodatrice in luoghi caldi.

○ Quando non se ne fa uso, la chiodatrice va tenuta in un luogo caldo e asciutto.

Tenere fuori della portata dei bambini.

5. Lista dei pezzi di ricambio

A: N. voce

B: N. codice

C: N. uso

D: Note

CAUTELA

Riparazioni, modifiche e ispezioni di utensili elettrici HiKOKI devono essere eseguite da un centro assistenza autorizzato HiKOKI.

Questa lista dei pezzi torna utile se viene presentata con l'utensile al centro assistenza HiKOKI autorizzato quando si richiedono riparazioni o altri interventi di manutenzione.

Nell'uso e nella manutenzione degli utensili elettrici devono essere osservate le normative di sicurezza e i criteri prescritti in ciascun paese.

MODIFICHE

Gli utensili elettrici HiKOKI vengono continuamente migliorati e modificati per includere le più recenti innovazioni tecnologiche.

Di conseguenza, alcuni pezzi (p.es. numero di codice e/o design) possono essere modificati senza preavviso.

COMPRESSORE

CAUTELA

Quando il massimo della pressione del compressore aria eccede 8,3 bar, assicuratevi di applicare una valvola riduttore tra il compressore aria e la chiodatrice. Poi, regolate la pressione dell'aria tra 4,9 e 8,3 bar. Se installate un set aria sarà possibile anche la lubrificazione. Provvedete così ad incrementare la convenienza.

OLIATORE-FILTRO-VALVOLA DI RIDUZIONE (Set aria)

Con una estesa durata della vita, è necessario usare un set aria. Limitate la lunghezza del tubo tra l'unità e il set aria entro 10 mt. durante l'uso (Vedere Fig. 9).

LUBRIFICANTI APPLICABILI

Tipo di Lubrificante	Nome del Lubrificante
Olio raccomandato	SHELL TONNA
Olio motore	SAE10W, SAE20W
Olio turbina	ISO VG32 – 68 (#90 – #180)

Informazioni sul rumore

Le caratteristiche del rumore sono valutate in accordo con EN 792-13, GIUGNO, 2000:

Livello di potenza acustica per singolo colpo (tipo A)

$LWA, 1s, d = 105 \text{ dB (A)}$

Livello di pressione acustica per singolo colpo (tipo A)

$LpA, 1s, d = 98 \text{ dB (A)}$

alla stazione di lavoro

KpA incertezza: 2,5 dB (A)

Questi valori rappresentano i valori caratteristici dell'utensile e non il rumore che si sviluppa durante l'utilizzo. Il rumore che si sviluppa durante l'uso dipende ad esempio dall'ambiente di lavoro, dal supporto e dal numero di operazioni.

Dipendono dalle condizioni dell'ambiente di lavoro e dai pezzi da lavorare, le misure individuali di attenuazione del rumore che potrebbe essere necessario eseguire, come disporre i pezzi da lavorare su dei supporti scarica-vibrazioni, in modo da prevenire le vibrazioni del pezzo tramite un fissaggio o una copertura, regolando il minimo della pressione dell'aria richiesta per le operazioni complesse, ecc.

In casi speciali è necessario indossare l'equipaggiamento di protezione per l'udito.

Informazioni sulle vibrazioni

I tipi di vibrazioni caratteristiche sono valutate in accordo con l'EN 792-13, GIUGNO, 2000: 3,00 m/s² (NR90AD(S1)) 5,50 m/s² (NR90AE(S1))

Incertezza K: 1,5 m/s²

Questi valori rappresentano i valori caratteristici dell'utensile e non considerano l'influenza del sistema mani-braccia durante l'uso. L'influenza del sistema mani-braccia durante l'utilizzo, dipende per esempio dalla forza con cui afferrate l'utensile, dalla pressione che applicate, dalla direzione del lavoro, dalla regolazione dell'energia applicata, dal pezzo da lavorare e dal supporto utilizzato.

(Vertaling van de oorspronkelijke aanwijzingen)

ALGEMENE VOORZORGEN VOOR HET GEBRUIK

- 1. Gebruik dit pneumatisch gereedschap op een veilige manier en alleen voor geëide doelen.**
Gebruik dit pneumatisch gereedschap niet voor andere doelen dan die in deze instructies gespecificeerd zijn.
- 2. Ga op juiste en veilige wijze om met dit pneumatisch gereedschap.**
Volgt u alstublieft de instructies in deze handleiding zorgvuldig op en hanteer dit pneumatisch gereedschap op de correcte manier om zorg te dragen voor uw en andermans veiligheid. Laat het pneumatisch gereedschap nooit in handen van kinderen komen of mensen die er niet genoeg van weten om er verantwoord mee om te kunnen gaan, of anderszins niet in staat zijn om het pneumatisch gereedschap op de juiste wijze te hanteren.
- 3. Verzeker u ervan dat het pneumatisch gereedschap gebruikt wordt in een veilige werkomgeving.**
Houd onbevoegden weg van de werkplaats. In het bijzonder behoren kinderen weggehouden te worden van de werkplaats.
- 4. De juiste onderdelen op de juiste plaats.**
Probeer niet een van de deksels of schroeven te verwijderen. Elk onderdeel heeft zijn eigen functie, dus laat alles op zijn plaats. Probeer bovendien nooit op eigen houtje veranderingen aan het apparaat aan te brengen, of het na zelf gefabriceerde modificaties nog te gebruiken.
- 5. Controleer het pneumatisch gereedschap grondig voor u het gaat gebruiken.**
Controleer voor gebruik altijd of er geen onderdelen ontbreken of gebroken, gerost of versleten zijn en of alle schroeven stevig op hun plaats zitten.
- 6. Grenzen overschrijden kan tot ongelukken leiden.**
Verg niet het uiterste van het pneumatisch gereedschap. Er zijn grenzen aan wat u ermee kunt doen. Als u teveel probeert te doen kunt u niet alleen het pneumatisch gereedschap beschadigen, maar loopt u zelf ook risico.
- 7. Stop het werken met het pneumatisch gereedschap onmiddellijk als u iets abnormaals opmerkt.**
Stop het werken met het apparaat direct als u iets abnormaals waarneemt, of wanneer het pneumatisch gereedschap niet naar behoren functioneert; laat het pneumatisch gereedschap nakijken en eventueel repareren.
- 8. Zorg goed voor uw pneumatisch gereedschap.**
Als u het apparaat laat vallen, of het tegen dingen stoot, kan het buitenframe vervormd raken en kunnen er barsten of andere vormen van schade optreden, dus wees alstublieft voorzichtig. Graveer of kras ook geen tekens op het pneumatisch gereedschap. Vanwege de hoge luchtdruk in het binnenste van het apparaat, kunnen barstjes in de buitenkant zeer gevaarlijk zijn. Gebruik het pneumatisch gereedschap nooit als zich een barst vormt, of wanneer lucht ontsnapt via een barst.
- 9. Goede zorgen verlengen de levensduur.**
Houd uw pneumatisch gereedschap mooi schoon en zorg er goed voor.
- 10. Regelmatige inspectie is essentieel voor de veiligheid.**
Kijk het apparaat regelmatig na zodat het pneumatisch gereedschap altijd veilig en doelmatig functioneert.
- 11. Raadpleeg een officiële service-vertegenwoordiger wanneer reparatie of vervanging van onderdelen noodzakelijk zijn.**

Let er op dat het pneumatisch gereedschap alleen door een erkende service-vertegenwoordiger wordt nagezien en gerepareerd en dat alleen officiële identieke vervangsonderdelen worden gebruikt.

- 12. Bewaar het pneumatisch gereedschap op een geschikte plaats.**
Wanneer u het apparaat niet gebruikt, dient u het te bewaren op een droge plaats die onbereikbaar is voor kinderen. Om het pneumatisch gereedschap tegen roest te beschermen, kunt u 5-10 druppeltjes olie in de behuizing doen via de slang-aansluiting.
- 13. De opengewerkte montageketening in deze handleiding is alleen bedoeld voor erkend service personeel.**

VOORZORGEN VOOR HET GEBRUIK VAN HET SPIJKERAPPARAAT

- 1. Veiligheid door correct gebruik.**
Dit pneumatisch gereedschap is ontworpen om spijkers in hout en vergelijkbare materialen te drijven. Gebruik het apparaat alleen voor dit doel.
- 2. Let er op dat de luchtdruk binnen het opgegeven bereik voor dit apparaat valt.**
Spijkerapparaten die op perslucht werken mogen uitsluitend op persluchtleidingen worden aangesloten wanneer de maximaal toelaatbare druk niet met een factor van meer dan 10% overschreden kan worden. Dit kan bijvoorbeeld worden bereikt door een reduceerventiel met afgaand veiligheidsventiel. (Voor model NR90AD(S1)/NR90AE(S1), 110% van de nominale maximaal toelaatbare druk is 9,1 bar = 130 psi)
- Spijkerapparaten die op perslucht werken mogen uitsluitend op de laagst mogelijke druk worden gebruikt die nodig is om de werkzaamheden uit te voeren, teneinde overmatig lawaai, slijtage en defecten van de apparatuur te voorkomen.
- 3. Gebruik het pneumatisch gereedschap nooit met andere gassen onder hoge druk dan gecompresseerde lucht.**
Gebruik nooit en te nimmer, onder welke omstandigheden dan ook kooldioxide, zuurstof of andere gassen uit drukflessen o.i.d.
- 4. Wees beducht voor ontsteking- en ontploffingsgevaar.**
Omdat tijdens het spijkeren vonken geslagen kunnen worden, is het gevaarlijk om dit pneumatisch gereedschap te gebruiken in de buurt van lak, verf, benzine, thinner, gasolie, gas, lijmsoorten, en vergelijkbaar ontvlambare materialen die door de vonken zouden kunnen ontvlammen of exploderen. Onder geen enkele voorwaarde mag dit pneumatisch gereedschap daarom gebruikt worden in de nabijheid van dergelijke ontvlambare materialen.
- 5. Draag altijd uw oogbescherming (veiligheidsbril).**
Draag altijd uw oogbescherming wanneer u met dit pneumatisch gereedschap werkt, en zorg ervoor dat de mensen in uw omgeving hetzelfde doen. De mogelijkheid dat rondvliegende spijkers die niet goed geraakt werden in uw oog terecht komen is een bedreiging voor uw gezichtsvermogen. Oogbescherming is verkrijgbaar in elke gereedschapswinkel. Draag altijd een vorm van oogbescherming wanneer u met dit apparaat werkt. Er zijn speciale maskers of veiligheidsbrillen die over uw bril passen.
Werkgevers behoren er op toe te zien dat oogbescherming gedragen wordt op de werkplek.

6. Bescherm uw hoofd en uw oren.

Draagt u alstublieft een helm en oorbeschermers als u spijkerwerk doet. Let u er ook op dat de mensen rondom u, afhankelijk van de omstandigheden, hun helmen en oorbeschermers dragen.

7. Let op de mensen die dicht bij u werken.

Het zou bijzonder gevaarlijk kunnen zijn als spijkers die niet goed ingeslagen zijn anderen zouden kunnen raken. Let daarom ook altijd op de veiligheid van de mensen rondom u wanneer u met dit pneumatisch gereedschap werkt. Let er altijd op dat er niet iemands lichaam, hand of voet dichtbij de spijker-uitgang is.

8. Richt het spijkerapparaat nooit op iemand.

Ga er altijd van uit dat het apparaat geladen is. Als u het apparaat op iemand richt kunt u ernstige ongelukken veroorzaken wanneer u per abuis het apparaat aan zet. Let er goed op dat het apparaat niet op iemand (inclusief uzelf...) gericht is terwijl u de slang aan- of afkoppelt, terwijl u spijkers in het apparaat laadt, of gedurende soortgelijke handelingen. Zelfs wanneer er geen spijkers in het apparaat zitten is het gevaarlijk om het af te doen gaan terwijl het in de richting van een persoon wijst, dus probeer dat niet. Geen geintjes. Heb respect en ontzag voor het gereedschap waar u mee werkt.

9. Controleer de veiligheidshendel voor u het pneumatisch gereedschap gaat gebruiken.

Voor u het pneumatisch gereedschap gaat gebruiken moet u controleren of de veiligheidshendel en de afsluiter goed functioneren. Sluit de slang aan op het apparaat en controleer het volgende zonder dat er spijkers in het apparaat geladen zijn. Als het apparaat klinkt alsof het werkt, dan is dat een teken dat er iets fout is en dat u het pneumatisch gereedschap dus niet kunt gebruiken tot het nagekeken en eventueel gerepareerd is.

- Als alleen het bewegen van de trekker het apparaat doet overgaan, als u dus hoort dat het binnenwerk beweegt zoals het beweegt wanneer er gewoon gespikerd wordt, dan is het pneumatisch gereedschap defect.

- Als alleen het drukken van de veiligheidshendel tegen het te spijkeren materiaal het apparaat doet overgaan, als u dus hoort dat het binnenwerk beweegt zoals het beweegt wanneer er gewoon gespikerd wordt, dan is het pneumatisch gereedschap defect. Met betrekking tot de veiligheidshendel zij bovendien nog opgemerkt dat deze nooit gewijzigd of verwijderd mag worden.

10. Gebruik alleen de voorgeschreven spijkers.

Gebruik nooit andere spijkers dan de in deze handleiding beschreven en gespecificeerde.

11. Wees voorzichtig wanneer u de slang aan- of afkoppelt.

Let op de volgende punten om te voorkomen dat het apparaat per ongeluk afgaat wanneer u de slang aan- of afkoppelt, of spijkers laadt.

- Raak de trekker niet aan.

- Laat de kop van het apparaat niet in contact komen met enig oppervlak.

- Houd de kop van het apparaat naar beneden gericht.

Volg bovenstaande instructies zorgvuldig op en let er altijd op dat er zich geen lichaamsdelen, handen of benen voor de spijker-uitgang bevinden.

12. Houd niet achteloos uw vinger aan de trekker.

Breng uw vinger alleen aan de trekker wanneer u inderdaad gaat spijkeren. Als u dit pneumatisch gereedschap draagt, of u geeft het aan iemand anders met uw vinger aan de trekker, kunt u per ongeluk een spijker afschieten en een ongeval veroorzaken.

13. Druk de spijker-uitgang stevig tegen het te spijkeren materiaal.

Druk de spijker-uitgang stevig tegen het te spijkeren materiaal wanneer u gaat spijkeren. De spijkers kunnen terugkaatsen als u de spijker-uitgang niet goed houdt.

14. Houd handen en voeten weg van de kop van het apparaat wanneer er gespikerd wordt.

Het kan ernstige gevolgen hebben wanneer een spijker per ongeluk een hand of voet raakt.

15. Wees bedacht op de terugslag van het pneumatisch gereedschap.

Breng uw hoofd of andere lichaamsdelen niet dicht bij de bovenkant van het apparaat terwijl het in werking is. Dit is gevaarlijk omdat het apparaat een krachtige terugslag kan geven als bijvoorbeeld de spijker die wordt ingedreven een oude spijker of een knoest in het hout raakt.

16. Wees voorzichtig wanneer u dun plaatmateriaal of de hoeken van een stuk hout gaat spijkeren.

Wanneer u dun plaatmateriaal spijkert, kunnen de spijkers er dwars doorheen vliegen, wat ook kan gebeuren als u de hoek van een stuk hout spijkert en de spijker afketst. In dergelijke gevallen dient u ervoor te zorgen dat er zich niemand (en ook geen handen, voeten e.d.) achter het dunne plaatmateriaal of naast het hout dat u wilt spijkeren bevindt.

17. Tegelijkertijd spijkeren aan beide zijden van een wand is gevaarlijk.

Onder geen enkele voorwaarde mag u aan beide zijden van een wand samen met iemand anders staan te spijkeren. Dit kan bijzonder gevaarlijk zijn daar de spijkers door de wand kunnen dringen en zo verwondingen kunnen veroorzaken.

18. Gebruik het gereedschap niet op stellingen, ladders.

Het gereedschap mag niet worden gebruikt in bijvoorbeeld de volgende gevallen:

- wanneer u van de ene spijkerplaats naar de andere moet via een steiger, trap, ladder of via dergelijke constructies, bijv. lattenwerk,
- dichtmaken van dozen of kratten,
- vastzetten van veiligheidssystemen voor het vervoer enz. op voertuigen en wagons

19. Koppel de slang niet af met uw vinger aan de trekker.

Als u de slang afkoppelt met uw vinger aan de trekker, bestaat het gevaar dat het apparaat spontaan een spijker afschiet wanneer u de volgende keer de slang aankoppelt, of anderszins niet naar behoren functioneert.

20. Koppel de slang af en verwijder alle spijkers die nog in het magazijn zitten na gebruik.

Koppel het pneumatisch gereedschap van de luchtdruk af voor u onderhoudswerkzaamheden uit gaat voeren, een vastzittende spijker gaat verwijderen, de werkplek gaat verlaten, het pneumatisch gereedschap naar een andere plaats gaat brengen, of nadat u het apparaat gebruikt hebt. Het is levensgevaarlijk de luchtdruk aangekoppeld te houden en het risico te lopen dat per ongeluk een spijker afgeschoten wordt.

21. Wanneer u een spijker die vast is komen te zitten gaat verwijderen, moet u er allereerst op letten dat u de slang afkoppelt en gecompriëerde lucht die zich nog in het apparaat bevindt laat ontsnappen.

Het kan zeer gevaarlijk zijn wanneer bijvoorbeeld de spijker opeens loskomt en dan alsnog afgeschoten wordt.

22. Een 'vrouwelijke' aansluiting (pneumatische koppeling) mag niet in dit apparaat gebruikt worden.

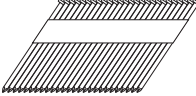
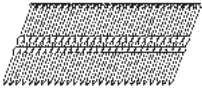
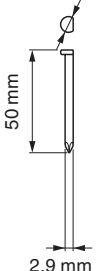
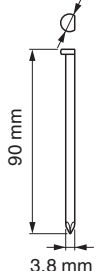
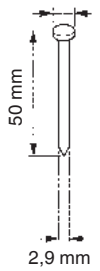
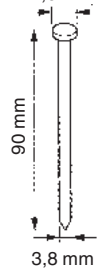
Als een dergelijke aansluiting is geïnstalleerd, is het soms niet mogelijk om de gecomprimeerde lucht in het apparaat te laten ontsnappen wanneer de slang afgekoppeld wordt. Vermijd het gebruik hiervan dus. Het pneumatisch gereedschap en de slang voor de luchttoevoer moeten een koppeling hebben die toestaat dat de in het apparaat aanwezige gecomprimeerde lucht weg kan wanneer de slang afgekoppeld wordt.

TECHNISCHE GEGEVENS

Model	NR90AD (S1)	NR90AE (S1)
Krachtbron	Reciprocerende zuiger	
Luchtdruk (Drukmeter)	4,9 – 8,3 bar	
Bruikbare spijkers	Zie Afb.	
Aantal te laden spijkers	50 – 74 spijkers (2 strips)	64 – 70 spijkers (2 strips)
Afmetingen	462 mm (L) × 322 mm (H) × 125 mm (W)	527 mm (L) × 322 mm (H) × 125 mm (W)
Gewicht	3,2 kg	3,4 kg
Spijker toevoer methode	Reciprocerende zuiger	
Slang (binnen diameter)	8 mm	

SPIJKERSELECTIE

Gebruik met dit stripspijkerapparaat alleen de in de onderstaande tabel getoonde schroeven.

NR90AD (S1)			NR90AE (S1)		
Spijkers met D-vormige kop op papieren strip 	Mind.	Max.	Spijkers met ronde kop op plastic strip 	Mind.	Max.
					

Afmetingen van de spijkers

STANDAARD ACCESSOIRES

- (1) Oogbescherming 1
 (2) Neuskap (op gereedschap gemonteerd) 1

TOEPASSINGEN

- Bevestigen van vloeren en raamwerk.
- Bevestigen van gebinte, opbouwen van kozijnen.
- Bevestigen van ondervloeren en dakbedekking.
- Bevestigen van wandbeschotting.
- Bouw van stacaravans en prefab huizen.

VOORBEREIDINGEN VOOR HET GEBRUIK

1. Leg de slang klaar

Let er op dat de gebruikte slang een minimum binnen diameter heeft van 8 mm.

OPMERKING

De slang voor de luchttoevoer moet een minimum werkdruk belasting hebben van 12,8 bar of 150 procent van de maximum luchtdruk die door het pneumatisch systeem geleverd kan worden, als dat een hogere belasting oplevert.

2. Veiligheidscontrole

VOORZICHTIG

- Onbevoegden (inclusief kinderen) moeten ver van dit pneumatisch gereedschap vandaan gehouden worden.
- Draag uw oogbescherming.
- Controleer of de schroeven die de uitlaat afdekking enz. vastzetten goed aangedraaid zijn. Controleer of het apparaat lekken vertoont en of er kapotte of verroeste onderdelen zijn.
- Controleer of de veiligheidshendel naar behoren functioneert. Controleer ook of de bewegende onderdelen van de veiligheidshendel niet vuil geworden zijn.
- Controleer nogmaals of het veilig is het pneumatisch gereedschap te gaan gebruiken.

VOOR GEBRUIK

1. Controleer de luchtdruk

VOORZICHTIG

De luchtdruk moet constant gehandhaafd blijven op 4,9 – 8,3 bar

Stel de luchtdruk bij in het bereik van 4,9 – 8,3 bar, al naar gelang de doorsnee en de lengte van de spijkers en de hardheid van het te spijkeren materiaal. Let speciaal op de uitgangsdruk, de capaciteit en de pijpen en aansluitingen op de compressor, zodat de luchtdruk niet de voorgeschreven grenzen overschrijdt. Wij wijzen u er op dat te hoge druk de prestaties van het apparaat, de levensduur en de veiligheid kan aantasten.

2. Smering

- (1) Voordat u dit spijkerapparaat gaat gebruiken moet u er op letten dat er tussen dit apparaat en de compressor een Luchttoevoer Set gemonteerd is. Smering door middel van de zelfsmearnippel uit de Set zorgt voor een soepele werking, langere levensduur en bescherming tegen roest. Stel de zelfsmearnippel zo af dat een enkele druppel olie wordt gegeven om de 5 a 10 spijkeracties.
- (2) Wij adviseren u de aanbevolen olie (SHELL TONNA) te gebruiken. Andere geschikte oliesoorten staan aangegeven. Meng nooit twee of zelfs meer verschillende soorten olie.

3. Laden van spijkers

- (1) Steek de spijkerstrip in de achterkant van het magazijn (Zie **Afb. 2**).
- (2) Schuif de spijkerstrip naar voren in het magazijn. De spijkerstrip moet voorbij de spijkerstopper komen.
- (3) Trek spijkertoevoer (B) terug tot spijkertoevoer (A) de spijkerstrip raakt.

OPMERKING

Gerbruik een spijkerstrip met meer dan 5 spijkers.

De spijkermachine is nu gereed voor gebruik.

Verwijderen van de spijkers:

- ① Trek spijkertoevoer (B) terug.
- ② Doe spijkertoevoer (B) voorzichtig naar voren terwijl u tegen spijkertoevoer (A) drukt.
- ③ Duw de spijkerstopper naar de kant van het magazijn en trek de spijkers uit de achterkant van het magazijn.

VOORZICHTIG

Om te voorkomen dat het apparaat per ongeluk afgaat, mag u nooit de trekker overhalen of de tip van de drukhefboom op de werkbank of de vloer laten rusten. Richt ook nooit of te nimmer de spijker- opening op een persoon of een lichaamsdeel.

GEBRUIK VAN DE SPIJKERAPPARAAT

VOORZICHTIG

- Gebruik de kop of de body van dit apparaat nooit als hamer.
- Neem voorzorgsmaatregelen om de veiligheid van personen in de buurt van de werkplek te waarborgen.

1. Spijkeren

Dit HiKOKI spijkerapparaat is voorzien van een schakelinrichting om de spijkers af te schieten. Gebruik het ENKELE SEQUENTIËLE AANDRIJVINGSMECHANISME of het CONTACT AANDRIJVINGSMECHANISME afhankelijk van het uitgevoerde werk.

(1) Enkelschot

Zet de schakelinrichting op de omhoogstand (om het apparaat op het ENKELE SEQUENTIËLE AANDRIJVINGSMECHANISME in te stellen (Zie **Afb. 3**).

Druk de spijker-opening op de de plek waar de spijker moet komen; haal vervolgens de trekker over om een enkele spijker af te vuren (Zie **Afb. 4**).

Nadat u één spijker heeft afgeschoten moet u de trekker loslaten en opnieuw indrukken voordat u opnieuw een spijker kunt afschieten.

WAARSCHUWING

Telkens wanneer de trekker wordt overgehaald, wordt een spijker afgeschoten; dit gaat door zolang de drukkendel ingedrukt blijft.

VOORZICHTIG

Als u in de enkel-schots stand de trekker niet snel en hard genoeg overhaalt zal het apparaat een terugslag geven en verschillende spijkers in plaats van een afschieten. Om dit te vermijden dient u de trekker altijd fluks en zonder dralen over te halen.

(2) Drukhefboom

Wanneer de spijker-opening tegen het werkstuk gedrukt wordt, moet u de drukhefboom helemaal omhoog doen komen (Zie **Afb. 4**) om de vergrendeling op te heffen. Op deze manier hoort het niet mogelijk te zijn een spijker af te vuren door alleen de trekker over te halen zonder de vergrendeling op te heffen.

(3) Continu spijkeren

Zet de schakelinrichting op de omlaagstand (om het apparaat op het CONTACT AANDRIJVINGSMECHANISME in te stellen) (Zie **Afb. 5**).

Haal eerst de trekker over. Druk vervolgens het apparaat in de gewenste positie om automatisch spijkers af te vuren (Zie **Afb. 6**).

Het ENKELE SEQUENTIËLE AANDRIJVINGSMECHANISME is bedoeld waar een nauwkeurige plaatsing van de bevestigingsmiddelen vereist is.

Het ENKELE SEQUENTIËLE AANDRIJVINGSMECHANISME kan de kans op lichamelijk letsel voor u en anderen in het werkgebied verminderen in vergelijking met het CONTACT AANDRIJVINGSMECHANISME. **Dat komt omdat de kans veel kleiner is dat u een ongewenste spijker plaatst als u de trekker ingedrukt houdt en per ongeluk met de druhandel tegen uzelf of anderen stoot.**

Het ENKELE SEQUENTIËLE AANDRIJVINGSMECHANISME kan ook de verwerksnelheid verlagen vergeleken met het CONTACT AANDRIJVINGSMECHANISME. Het ENKELE SEQUENTIËLE AANDRIJVINGSMECHANISME wordt aanbevolen voor onervaren gebruikers.

VOORZICHTIG

- Wees voorzichtig bij het spijkeren van hoeken. Bij het continu spijkeren op een hoek, is het mogelijk dat spijkers afketsen of door het hout heen breken.
- Probeer geen spijker op een andere spijker te slaan.
- Probeer geen spijker in metaal te slaan.

OPMERKING

- Voorzorgen bij onbelast draaien
Soms zal het apparaat doorgaan met spijkeren nadat alle spijkers uit magazijn zijn opgebruikt. Dit is het zogenaamde "onbelast draaien". Dit kan een negatieve invloed hebben op de demper, het magazijn en de spijkertoevoer.
Om onbelast draaien te voorkomen, dient u van tijd tot tijd te controleren hoeveel spijkers zich nog in het magazijn bevinden. U dient ook alle spijkers te verwijderen nadat u deze spijkerapparaat heeft gebruikt.
- Behandel de spijkers en het verbindingsplastic voorzichtig. Indien u de spijkers laat vallen is het mogelijk dat de verbindingshechting beschadigd raakt.
- Na het spijkeren:
 - (1) maak de luchtslang los van het spijkerapparaat;
 - (2) verwijder alle spijkers uit het spijkerapparaat;
 - (3) breng 5 - 10 druppels HiKOKI smeeroilie voor pneumatische gereedschappen aan in de luchtplug van het spijkergereedschap; en
 - (4) open het kraantje van de luchtcompressortank om eventueel vocht te verwijderen.
- Bij lage temperaturen is het mogelijk dat het gereedschap niet naar behoren functioneert. Gebruik het gereedschap altijd bij een geschikte omgevingstemperatuur.

2. Afstellen van de spijkerdiepte (Zie Afb. 7)

Neem de volgende punten in acht zodat alle spijkers even diep naar binnen worden gedreven:

- (1) de luchtdruk van het spijkerapparaat moet constant zijn (de drukregelaar is aangebracht en werkt correct), en
- (2) het spijkerapparaat moet altijd stevig tegen het werkstuk worden gedrukt.

Als de spijkers te diep of niet diep genoeg naar binnen worden gedreven, kunt u de spijkerdiepte als volgt afstellen.

- ① **MAAK DE LUCHTSLANG LOS VAN HET SPIJKERAPPARAAT.**
- ② Als de spijkers te diep worden ingedreven, draait u de afsteller naar de "ondiep" kant.
Als de spijkers niet diep genoeg worden ingedreven, draait u de afsteller naar de "diep" kant.
- ③ Stop met afstellen als de juiste diepte is verkregen om een test uit te voeren.
- ④ Sluit de luchtslang aan.
DRAAG ALTIJD OOGBESCHERMING.
Voer een test uit.
- ⑤ **MAAK DE LUCHTSLANG LOS VAN HET SPIJKERAPPARAAT.**
- ⑥ Kies indien nodig een nieuwe afstelling.

3. De neuskap gebruiken (Zie Afb. 8)**VOORZICHTIG**

Bij het los- of vastmaken van de neuskap moet u altijd uw vinger van de trekker nemen en de luchtslang loskoppelen van het spijkerapparaat.

De neuskap is aan de duwhendel gemonteerd om het werkstuk tegen krassen of beschadiging te beschermen. De neuskap kan op de volgorde die hieronder wordt aangegeven verwijderd worden.

- (1) **MAAK DE LUCHTSLANG LOS VAN HET SPIJKERAPPARAAT.**
- (2) Trek de neuskap in de richting van de pijl zoals op de tekening wordt afgebeeld.
- De instructies in omgekeerde volgorde opvolgen om aan de duwhendel te monteren.

INSPECTIE EN ONDERHOUD**VOORZICHTIG**

Let er op dat u de slang afkoppelt wanneer u vastzittende spijkers verwijdert, het apparaat schoonmaakt, inspecteert, of er onderhoud aan pleegt.

1. Inspecteren van het magazijn**① KOPPEL DE PERSLUCHTSLANG AF.**

- ② Maak het magazijn schoon. Verwijder de papieren brokstukken die zich in het magazijn kunnen hebben opgehoopt. Smeer het magazijn met HiKOKI smering voor pneumatisch gereedschap.

2. Controleer de schroeven waar alle onderdelen mee vast zitten

Controleer regelmatig of er ergens een schroef los zit en of er geen lekken zijn. Draai eventueel losse schroeven weer vast. Het is gevaarlijk om het apparaat te gebruiken als er schroeven los zitten.

3. Inspecteren van de veiligheidshendel

Controleer of de veiligheidshendel soepel kan bewegen.

Maak de bewegende delen van de veiligheidshendel schoon en smeer ze geregeld met de meegeleverde smeeroilie. Door geregeld schoon te maken en te smeren zorg u ervoor dat de veiligheidshendel soepel blijft functioneren en gaat u de vorming van roest tegen.

4. Opslag

- Wanneer u het apparaat voor langere tijd niet wilt gebruiken, kunt u het beste een dunne laag machineolie aanbrengen op de stalen onderdelen van het apparaat om roest tegen te gaan.
- Bewaar dit spijkerapparaat niet in een koude omgeving. Bewaar het op een warme plek.
- Wanneer u het spijkerapparaat niet gebruikt, dient u het op te slaan op een warme, droge plek. Buiten bereik van kinderen houden.

5. Lijst vervangingsonderdelen

- A: Ond.nr.
- B: Codenr.
- C: Gebr.nr.
- D: Opm.

VOORZICHTIG

Reparatie, modificatie en inspectie van HiKOKI elektrisch gereedschap dient te worden uitgevoerd door een erkend HiKOKI Service-centrum.

Deze Onderdelenlijst komt van pas wanneer u deze samen met het gereedschap aanbiedt bij het erkende HiKOKI Service-centrum wanneer u om reparatie of ander onderhoud verzoekt.

Bij gebruik en onderhoud van elektrisch gereedschap dienen de in het land waar u zich bevindt geldende veiligheidsregelgeving en veiligheidsstandaarden stipt te worden opgevolgd.

MODIFICATIES

HiKOKI elektrisch gereedschap wordt voortdurend verbeterd en gewijzigd teneinde gebruik te kunnen maken van de nieuwste technische ontwikkelingen. Daarom is mogelijk dat sommige onderdelen (zoals codenummers en/of ontwerp) zonder voorafgaande kennisgeving gewijzigd worden.

COMPRESSOR

VOORZICHTIG

Wanneer de maximum luchtdruk van de compressor de 8,3 bar overschrijdt, dient u er voor te zorgen dat er een reductieklep tussen de compressor en dit pneumatisch gereedschap is aangebracht. Vervolgens stelt u de aan het spijkerapparaat geleverde luchtdruk bij tot deze binnen het bereik van 4,9 - 8,3 bar valt. Als ook de Luchttoevoer Set gemonteerd is, is het ook mogelijk de smering van het apparaat op zeer gemakkelijke wijze uit te voeren.

ZELFSMEERNIPPEL-FILTER-REDUCTIEKLEP (Luchttoevoer set)

Wij bevelen aan het spijkerapparaat altijd met deze set, bestaande uit een zelfsmeeerpijp, een filter en een reductieklep, te gebruiken zodat u het apparaat altijd onder de meest gunstige omstandigheden kunt gebruiken. Let u er alstublieft op dat de slang tussen de set en het spijkerapparaat niet langer mag zijn dan 10 m (Zie **Afb. 9**).

GESCHIKTE SMEERMIDDELEN

Type smeermiddel	Naam van het smeermiddel
Aanbevolen olie	SHELL TONNA
Motorolie	SAE 10W, SAE 20W
Turbine olie	ISO VG32 - 68 (#90 - #180)

Geluidsinformatie

Geluidskarakteristiek-waarden in overeenstemming met EN 792-13, JUNI, 2000:

Het typische A-zwaarte enkele geluidsstrekeniveau LWA , 1s, d= 105 dB (A)
 Het typische A-zwaarte enkele geluidsdruk-niveau op de werkplek LpA , 1s, d= 98 dB (A)
 Onzekerheid KpA: 2,5 dB (A)

Deze waarden zijn gereedschap-gerelateerde karakteristieke waarden en geven niet het geproduceerde geluid op het moment van daadwerkelijk gebruiken van het apparaat weer. Het geproduceerde geluid tijdens het werken met het apparaat hangt bijvoorbeeld ook af van de werkomgeving, het stuk waaraan gewerkt wordt, hoe dat stuk ondersteund wordt, het aantal spijkers dat ingeslagen wordt enz.

Afhankelijk van de omstandigheden op de werkplek en de vorm van het stuk waaraan gewerkt wordt, is het nodig om persoonlijke beschermingsmiddelen toe te passen, zoals het plaatsen van het werkstuk op een geluiddempende ondergrond, voorkomen van vibratie van het werkstuk door het vast te klemmen of te bedekken, minimaliseren van de benodigde luchtdruk enz.

In speciale gevallen zal het nodig zijn om oorbeschermers te dragen.

Trillingsinformatie

De typische vibratie karakteristieke waarde in overeenstemming met EN 792-13, JUNI, 2000: 3,00 m/s² (NR90AD(S1)) 5,50 m/s² (NR90AE(S1))
 Onzekerheid K = 1,5 m/s²

Deze waarde is een gereedschap-gerelateerde karakteristieke waarde en geeft niet de invloed op het hand-arm-systeem op het moment van daadwerkelijk gebruiken van het apparaat weer. De invloed op het hand-arm-systeem bij het gebruiken van dit apparaat hangt bijvoorbeeld ook af van de kracht waarmee men het apparaat beet houdt, van de kracht waarmee het apparaat tegen het werkkoppervlak gedrukt wordt, de richting waarin gespijkerd wordt, de afstelling van de luchttoevoer, het stuk waaraan gewerkt wordt, hoe dat ondersteund is enz.

(Traducción de las instrucciones originales)

PRECAUCIONES PARA LAS OPERACIONES EN GENERAL

1. **Opere la herramienta eléctrica de forma segura y correctamente.**
No la emplee para otros usos que no sean los especificados en este manual de instrucciones.
2. **Para llevar a cabo una operación segura, maneje la herramienta eléctrica correctamente.**
Siga las instrucciones dadas en este manual de instrucciones y emplee la herramienta de la forma indicada para asegurar una operación segura. Nunca permita su uso a niños o personas que no conozcan la herramienta y su funcionamiento ni a personas que no puedan emplearla correctamente.
3. **Confirme la seguridad del lugar de trabajo.**
Mantenga alejados del lugar de trabajo a las personas no autorizadas.
Especialmente deben mantenerse alejados a los niños.
4. **Coloque las partes correspondientes en sus lugares de forma correcta.**
No extraiga ninguna de las cubiertas ni los tornillos. Manténgalos en su lugar puesto que tienen sus funciones.
Además, puesto que podría ser peligroso, no efectúe nunca modificaciones en la herramienta ni la emplee después de haber hecho modificaciones.
5. **Compruebe la herramienta antes de usarla.**
Antes de usar la herramienta, compruebe que ninguna de sus partes esté rota, que todos los tornillos estén bien apretados y que no haya partes perdidas ni oxidadas.
6. **El trabajo excesivo puede causar accidentes.**
No haga funcionar la herramienta y sus accesorios más allá de sus capacidades. El trabajo excesivo no solamente dañará la herramienta eléctrica sino que la convertirá en un aparato peligroso.
7. **Detenga la operación inmediatamente si nota alguna anomalía.**
Pare la operación si se da cuenta de alguna anomalía o si la herramienta eléctrica no funciona correctamente. Haga que le inspeccionen y reparen la herramienta si es necesario.
8. **Trate bien y con cuidado la herramienta eléctrica.**
Si se le cae o golpea la herramienta eléctrica contra algo, el bastidor exterior podría deformarse y agrietarse, o podrían ocurrir otro tipo de daños, por lo tanto manéjela siempre con mucho cuidado. Tampoco no raye ni grabe nada en la herramienta eléctrica. Debido al aire a alta presión que hay dentro de la herramienta, las grietas en su superficie pueden resultar peligrosas.
No utilice nunca la herramienta eléctrica si encuentra alguna grieta y si hay fugas de aire.
9. **Cuide bien la herramienta para que tenga una vida de servicio larga.**
Cuide siempre la herramienta eléctrica y manténgala limpia.
10. **Efectúe una inspección a intervalos regulares puesto que es esencial para la seguridad.**
Inspeccione la herramienta eléctrica a intervalos regulares para poder operarla con seguridad y eficientemente en todo momento.
11. **Lleve la herramienta a un agente de servicio autorizado si es necesario efectuar alguna reparación o reemplazo de alguna parte.**
Asegúrese de que la herramienta eléctrica es revisada solamente por un agente de servicio autorizado y que solamente se emplean partes de reemplazo idénticas autorizadas.

12. Mantenga la herramienta eléctrica en un lugar apropiado.

Cuando no la utilice, deberá guardarla en un lugar seco fuera del alcance de los niños. Vierta en el cuerpo de la herramienta unas 5 a 10 gotas de aceite a través de la junta de la manguera para protegerla contra la oxidación.

13. El plano de montaje detallado de este manual de instrucciones debe ser utilizado solamente por el agente de servicio autorizado.**PRECAUCIONES SOBRE EL USO DEL MARTILLO CON RISTRA DE CLAVOS****1. Emplee la herramienta correctamente para que la operación sea segura.**

Esta herramienta ha sido diseñada para clavar clavos en madera y materiales similares. Empléela solamente para los propósitos indicados.

2. Asegúrese de que la presión de aire se encuentra dentro del valor nominal de presión de aire.

Las herramientas de sujeción operadas por aire comprimido deben conectarse sólo a líneas de aire comprimido donde la presión máxima permitida no pueda ser superada por un factor superior al 10%, que por ejemplo puede obtenerse mediante una válvula de reducción de presión que incluya una válvula de seguridad descendente.

(Para el modelo NR90AD(S1)/NR90AE(S1), la presión nominal máxima permitida es de 9,1 bar = 130 psi)

Las herramientas de sujeción operadas por aire comprimido deben utilizarse sólo a presión más reducida requerida para el proceso de trabajo a mano, con el fin de evitar niveles elevados de ruido innecesarios, un mayor desgaste y fallos.

3. No opere nunca el equipo con gases a alta presión que no sean aire comprimido.

No utilice nunca dióxido de carbono, oxígeno u otro gas sellado en un contenedor a presión bajo ninguna circunstancia.

4. Tenga cuidado para evitar fuegos y explosiones.

Puesto que pueden salir disparadas chispas durante la operación de clavado, es muy peligroso emplear la herramienta cerca de lacas, pinturas, bencinas, disolventes, gasolina, adhesivos y sustancias inflamables similares puesto que podrían encenderse o explotar. Bajo ninguna circunstancia deberá emplear esta herramienta en la vecindad de tales materiales inflamables.

5. Protéjase siempre los ojos (con unas gafas protectoras).

Cuando opere la herramienta eléctrica, siempre protéjase los ojos y asegúrese de que las personas que puedan encontrarse en los alrededores también se los hayan protegido.

Existe una gran posibilidad de que salgan disparados fragmentos de los clavos lo que es una amenaza para los ojos. Protéjase siempre los ojos mientras opera la herramienta. Puede protegerse los ojos con unas gafas protectoras o también ponerse una máscara de visión amplia encima de gafas graduadas si es que las lleva. Los encargados deben siempre hacer obligatorio el empleo de protección para los ojos.

6. Protéjase los oídos y la cabeza.

Cuando tenga que efectuar un trabajo de clavado póngase orejeras y protección en la cabeza. También, dependiendo de las condiciones, asegúrese de que las personas que pueda haber en los alrededores también llevan orejeras y protección en la cabeza.

7. Ponga mucha atención en los que trabajan cerca de usted.

Sería muy peligroso si los clavos que no son clavados correctamente golpearan a otras personas. Por lo tanto, ponga siempre mucha atención a la seguridad de las personas que pueda haber en los alrededores cuando emplee la herramienta. Asegúrese siempre de que el cuerpo, manos o pies de ninguna persona estén cerca de la salida de los clavos.

8. No dirija nunca la salida de los clavos hacia ninguna persona.

Piense que la herramienta siempre está cargada con clavos.

Si dirige la salida de los clavos hacia alguna persona, podría causar accidentes muy serios si por error se descargara la herramienta. Cuando conecte y desconecte la manguera, durante la recarga de clavos u operaciones similares, asegúrese de que la salida de los clavos no está encarada hacia ninguna persona (incluido usted mismo). Incluso cuando sabe que no hay ningún clavo en la herramienta es peligroso descargarla mientras la dirige hacia alguien, por lo tanto no la haga nunca. No se suba encima de la herramienta. Respétela como herramienta de trabajo que es.

9. Antes de emplear la herramienta eléctrica, compruebe la palanca de empuje.

Antes de emplear la herramienta asegúrese de que la palanca de empuje y la válvula operan correctamente. Sin clavos cargados en la herramienta, conecte la manguera y compruebe lo siguiente. Si se escucha sonido de operación indica una falla, por lo tanto no emplee la herramienta hasta que haya sido inspeccionada y reparada.

○ Si al pulsar meramente el gatillo se escucha el sonido de operación o si ocurre el movimiento de la broca de impulsión, significa que la herramienta está defectuosa.

○ Si al pulsar meramente la palanca de empuje contra el material donde va a efectuar el clavado se escucha el sonido de operación o si ocurre el movimiento de la broca de impulsión, significa que la herramienta está defectuosa.

Además, con respeto a la palanca de empuje, tenga en cuenta que no debe nunca modificarse ni extraerse.

10. Emplee solamente los clavos especificados.

No emplee nunca otros clavos que no sean los especificados y descritos en este manual de instrucciones.

11. Tenga cuidado cuando conecte la manguera.

Cuando conecte la manguera y cargue los clavos, asegúrese de lo siguiente para no accionar la herramienta por error.

○ No toque el gatillo.

○ No permita que el cabezal de disparo se ponga en contacto con ninguna superficie.

○ Mantenga el cabezal de disparo hacia abajo.

Observe estrictamente las instrucciones de arriba y asegúrese siempre de que ninguna parte de su cuerpo, manos o pies se encuentra delante de la salida de los clavos.

12. No coloque descuidadamente el dedo en el gatillo.

No coloque el dedo en el gatillo excepto cuando vaya a efectuar la operación de clavado. Si transporta la herramienta o se la pasa a alguien teniendo usted el dedo en el gatillo, podría descargar inadvertidamente un clavo causando un accidente serio.

13. Presione firmemente la salida de los clavos contra el material donde vaya a efectuar el clavado.

Cuando clave clavos, presione firmemente la salida de los clavos contra el material donde vaya a efectuar el clavado. Si la salida no está correctamente colocada, los clavos rebotarán.

14. Mantenga las manos y pies alejados del cabezal de disparo durante la operación.

Es muy peligroso si un clavo se clavase en una mano o pie por error.

15. Tenga en cuenta el retorno de la herramienta.

No acerque la parte superior de la herramienta a su cabeza, etc., durante la operación. Es muy peligroso puesto que la herramienta podría retroceder violentamente si el clavo que está siendo clavado contactara con otro clavo o grapa que ya estuviera clavado en la madera.

16. Tenga cuidado cuando efectúe el clavado en tableros delgados o en las esquinas de la madera.

Cuando efectúe el clavado en tableros delgados, los clavos pueden traspasarlos, así como también cuando clave las esquinas de madera debido a la desviación de los clavos. En tales casos, asegúrese siempre de que no haya nadie (ni ninguna mano, pie, etc., de nadie) detrás del tablero o cerca de la madera que vaya a clavar.

17. El clavado simultáneo en ambos lados de la misma pared es peligroso.

Bajo ninguna circunstancia deberá clavar en ambos lados de una pared a la vez. Podría ser muy peligroso puesto que los clavos podrían pasar a través de la pared y causar daños personales.

18. No utilice la herramienta eléctrica sobre andamios o escaleras.

La herramienta eléctrica no deberá utilizarse para aplicaciones específicas, como por ejemplo:

- cuando el cambio de un sitio de clavado a otro implica el uso de andamiaje, escalones, escaleras, construcciones similares a una escalera, como por ejemplo, listones,
- cierre de cajas o huacales,
- fijación de sistemas de seguridad para el transporte, por ej., en vehículos y vagones

19. No desconecte la manguera con el dedo en el gatillo.

Si desconecta la manguera con el dedo en el gatillo, la siguiente vez que conecte la manguera existirá el peligro de que la herramienta dispare un clavo espontáneamente o que opere incorrectamente.

20. Desconecte la manguera y saque los clavos que hayan quedado en el cartucho después del uso.

Desconecte el aire de la herramienta antes de efectuar el mantenimiento, extraer un clavo atascado, abandonar el lugar de trabajo, mover la herramienta a otro lugar o después de usarla. Es muy peligroso dejar clavos en la herramienta puesto que podrían ser disparos por accidente.

21. Cuando extraiga un clavo que se ha atascado, asegúrese de desconectar primero la manguera y de liberar el aire comprimido.

Cuando extraiga un clavo que se ha atascado, primero asegúrese de desconectar la manguera y liberar el aire comprimido que hay dentro de la misma.

El disparo accidental de un clavo puede resultar muy peligroso.

22. En el cuerpo de la herramienta no debe emplearse una clavija hembra (enchufe de aire).

Si instala una clavija hembra en el cuerpo de la herramienta, a veces el aire comprimido no podrá ser dirigido cuando la manguera está desconectada, por lo tanto evítelo.

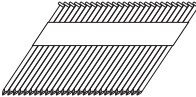
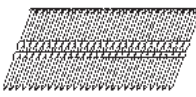
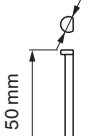
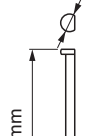
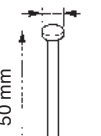
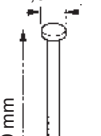
La herramienta y la manguera de suministro de aire deben tener un acoplamiento de manguera para extraer toda la presión de la herramienta al desconectar la junta del acoplamiento.

ESPECIFICACIONES

Model	NR90AD (S1)	NR90AE (S1)
Tipo motorizado	Pistón alternativo	
Presión de aire (medidor)	4,9 – 8,3 barías	
Clavos aplicables	Consultar la Fig.	
Cantidad de clavos a cargar	50 – 74 clavos (2 ristras)	64 – 70 clavos (2 ristras)
Tamaño	462 mm (L) x 322 mm (Al) x 125 mm (An)	527 mm (L) x 322 mm (Al) x 125 mm (An)
Peso	3,2 kg	3,4 kg
Método de alimentación de los clavos	Pistón alternativo	
Manguera (diámetro interior)	8 mm	

SELECCIÓN DE LOS CLAVOS

Con este clavador solamente podrán utilizarse los clavos indicados en la tabla siguiente.

NR90AD (S1)			NR90AE (S1)		
Puntas colocadas en ristra ristra de papel Puntas con cabeza sujetadas 	Mín.	Máx.	Clavos colocados en ristra de plástico Clavos con cabeza completa 	Mín.	Máx.
	6,8 mm  50 mm 2,9 mm	7,7 mm  90 mm 3,8 mm		7 mm  50 mm 2,9 mm	7,6 mm  90 mm 3,8 mm

Dimensiones de los clavos

ACCESORIOS ESTÁNDAR

- (1) Gafas protectoras 1
 (2) Tapa para el morro (montada en la herramienta) 1

APLICACIONES

- Construcción de pisos y paredes.
- Entramado y construcción de ventanas.
- Refuerzo de pisos y techos.
- Recubrimiento de paredes.
- Construcción de casas móviles y viviendas modulares.

PREPARACIÓN PARA ANTES DE LA OPERACIÓN

1. Prepare la manguera

Asegúrese de emplear una manguera con un diámetro interior mínimo de 8 mm.

NOTA

Las mangueras de suministro de aire deben tener un margen de presión de trabajo mínima de 12,8 barías o el 150 por ciento de la presión máxima producida en el sistema de suministro de aire, lo que sea mayor.

2. Comprobación de la seguridad

PRECAUCIÓN

- Las personas no autorizadas (incluyendo niños) deberán mantenerse alejadas del equipo.
- Póngase el protector para los ojos.
- Compruebe los tornillos de retención que fijan la cubierta de escape, etc., para ver si están bien apretados.
Compruebe el martillo con ristra de clavos para ver si hay fugas de aire o si alguna de sus partes está defectuosa u oxidada.
- Compruebe si la palanca de empuje funciona correctamente.
También compruebe si se ha adherido suciedad en las partes móviles de la palanca de empuje.
- Vuelva a comprobar la seguridad operacional.

ANTES DEL EMPLEO

1. Compruebe la presión de aire

PRECAUCIÓN

La presión de aire debe mantenerse constantemente a 4,9 - 8,3 barías.

Ajuste la presión de aire entre 4,9 a 8,3 barías de acuerdo con el diámetro y longitud de los clavos y la dureza de la madera que vaya a ser clavada. Ponga especial atención a la presión de salida, capacidad y tubería del compresor de aire, para que la presión no exceda del límite especificado. Tenga en cuenta que la presión excesiva podría afectar el rendimiento total, la vida de servicio y la seguridad.

2. Lubricación

- (1) Antes de operar este martillo con ristra de clavos, asegúrese de proporcionar un equipo de aire entre el compresor de aire y el aparato.

La lubricación a través del equipo de aire ofrece una operación suave, una vida de servicio más larga y anticorrosión.

Ajuste el engrasador de forma que se suministre una sola gota de aceite a intervalos de 5 a 10 ciclos de clavado.

- (2) Se recomienda el uso del aceite recomendado (SHELL TONNA). Pueden también usarse los aceites listados más adelante. No mezcle nunca dos o más tipos de aceite.

3. Cargue los clavos

- (1) Inserte la tira de clavos en la parte posterior del cargador (Véase Fig. 2).

- (2) Deslice la tira de clavos hacia el cargador.

La tira de clavos deberá pasar el tope de clavos.

- (3) Tire del alimentador de clavos (B) hacia atrás para acoplar el alimentador de clavos (A) en la tira de clavos.

NOTA

Utilice una ristra de clavos que tenga más de 5 clavos.

El martillo neumático habrá quedado listo para funcionar.

Extraiga los clavos:

- ① Tire del alimentador de clavos (B) hacia atrás.
- ② Vuelva a colocar suavemente el alimentador de clavos (B) hacia adelante, mientras empuja el alimentador de clavos (A).
- ③ Empuje el tope de clavos hacia el lado del cargador, y extraiga los clavos desde la parte trasera del cargador.

PRECAUCIÓN

Para evitar una operación involuntaria, no toque nunca el gatillo ni ponga el extremo superior de la palanca de empuje sobre un banco de trabajo o el piso. Asimismo, nunca dirija la boca de salida de los clavos hacia las personas.

COMO USAR LA CLAVADORA

PRECAUCIÓN

- No utilice nunca la cabeza o el cuerpo de esta herramienta como martillo.
- Tome las medidas de precaución necesarias para garantizar la seguridad de las personas presentes durante la operación.

1. Procedimiento de clavado

Este clavador HiKOKI está equipado con un dispositivo de conmutación para la operación de clavado.

Utilice el MECANISMO DE ACTUACIÓN SECUENCIAL SIMPLE o el MECANISMO DE ACTUACIÓN POR CONTACTO de acuerdo con la tarea que se va a realizar.

- (1) Clavado intermitente

Ajuste el dispositivo de conmutación a la posición superior (para ajustar a MECANISMO DE ACTUACIÓN SECUENCIAL SIMPLE) (Véase Fig. 3).

Presione la boca de salida de clavos sobre el punto deseado y seguidamente apriete el gatillo para introducir el clavo de un solo disparo (Véase Fig. 4).

Una vez que se introduzca un clavo, no se podrá volver a clavar hasta que suelte el gatillo y lo vuelva a presionar.

ADVERTENCIA

Se dispara un clavo cada vez que se presiona el gatillo, siempre que la palanca de empuje permanezca presionada.

PRECAUCIÓN

Si no acciona el gatillo rápidamente y con firmeza durante el modo de un solo disparo, el martillo con ristra de clavos rebotará y disparará varios clavos en lugar de uno sólo. Para evitarlo, asegúrese de disparar el gatillo rápidamente y con firmeza.

- (2) Palanca de empuje

Cuando presione la boca de salida de clavos, asegúrese de levantar completamente la palanca de empuje (Véase Fig. 4) para liberar el bloqueo de seguridad. De este modo, los clavos no podrán clavarse aunque apriete el gatillo si no está liberado el bloqueo de seguridad.

- (3) Clavado continuo

Ajuste el dispositivo de conmutación a la posición hacia abajo (para ajustar al MECANISMO DE ACTUACIÓN POR CONTACTO.) (Véase Fig. 5).

En primer lugar, apriete el gatillo. Luego presione la herramienta sobre el lugar deseado para clavar automáticamente los clavos (Véase Fig. 6).

El MECANISMO DE ACTUACIÓN SECUENCIAL SIMPLE se usa para colocar los fijadores con gran precisión.

El MECANISMO DE ACTUACIÓN SECUENCIAL SIMPLE puede disminuir la ocurrencia de lesiones en el área de trabajo en comparación con el MECANISMO DE ACTUACIÓN DE CONTACTO. **Esto se debe a que hay menos posibilidades de lanzar un clavo de forma no intencional a alguna persona si continúa presionando el gatillo y presiona la palanca de manera accidental.**

El MECANISMO DE ACTUACIÓN SECUENCIAL SIMPLE puede también reducir la velocidad de funcionamiento en comparación con el MECANISMO DE ACTUACIÓN DE CONTACTO. Se recomienda que los usuarios con poca experiencia usen el MECANISMO DE ACTUACIÓN SECUENCIAL SIMPLE.

PRECAUCIÓN

- Proceda con cuidado cuando clava en las esquinas de la madera. Cuando efectúa el clavado continuo en las esquinas de la madera, el clavo podría no entrar correctamente o romperse en la esquina.

- No introduzca un clavo sobre otro clavo.
- No introduzca un clavo sobre las partes de metal.

NOTA

- Precauciones sobre la operación sin carga
Algunas veces, puede suceder que la operación de clavado continúe aun después de haber introducido todos los clavos contenidos en el cargador. Esto se denomina "operación sin carga". Esta operación puede dañar al amortiguador, al cargador y al alimentador de clavos.

Para evitar la operación sin carga, confirme de vez en cuando la cantidad de clavos restantes. Por otra parte, saque todos los clavos después de usar la clavadora.

- Maneje con cuidado el paquete de clavos. Si los clavos se cayesen, la juntura de la ristra podría romperse.
- Después de haber clavado el clavo:
 - (1) desconecte la manguera de aire del martillo neumático,
 - (2) extraiga todos los clavos del martillo neumático,
 - (3) aplique 5 – 10 gotas de lubricante para herramientas neumáticas HiKOKI a la entrada de aire del martillo neumático, y
 - (4) abra la llave de escape del depósito del compresor de aire para drenar la humedad que pueda existir.
- A bajas temperaturas, puede suceder que la herramienta no pueda funcionar correctamente. Siempre utilice la herramienta a una temperatura ambiente apropiada.

2. Ajuste de la profundidad de clavado (Véase Fig. 7)

Para tener la seguridad de que cada clavo penetra hasta la misma profundidad, compruebe que:

- (1) la presión de aire de la clavadora permanece constante (con el regulador instalado y funcionando correctamente), y
- (2) la clavadora está firmemente sujeta contra la pieza de trabajo.

Si los clavos penetran de forma excesiva o insuficiente en la pieza de trabajo, ajuste el clavado en el orden siguiente.

- ① **DESCONECTE LA MANGUERA DE AIRE DE LA CLAVADORA.**
- ② Si los clavos están metidos en exceso, gire el ajustador hacia el lado superficial.
Si los clavos están metidos sólo superficialmente, gire el ajustador hacia el lado profundo.
- ③ Deje de girar el ajustador al llegar a una posición adecuada para la prueba de clavado.
- ④ Conecte la manguera de aire.
UTILICE SIEMPRE GAFAS PROTECTORAS.
Realice la prueba de clavado.
- ⑤ **DESCONECTE LA MANGUERA DE AIRE DE LA CLAVADORA.**
- ⑥ Escoja una posición adecuada para el ajustador.

3. Utilización de la tapa para el morro (Véase Fig. 8)

PRECAUCIÓN

Al desmontar o montar la tapa para el morro, asegúrese de retirar el dedo del disparador y desconectar la manguera de aire de la clavadora.

La tapa para el morro está fijada a la punta de la palanca de empuje para proteger la pieza de trabajo de ralladuras o daños. Cuando no estén en uso retírelos en el orden indicado abajo.

- (1) **DESCONECTE LA MANGUERA DE AIRE DEL CLAVADOR.**
- (2) Quite la tapa para el morro en la dirección de la flecha indicada en el diagrama.
- Fijela a la punta de la palanca de empuje en el orden inverso al de la separación.

INSPECCIÓN Y MANTENIMIENTO**PRECAUCIÓN**

Asegúrese de desconectar la manguera durante la limpieza de atascos, inspección, mantenimiento y limpieza.

1. Inspección del cargador

① **DESCONECTE LA MANGUERA DE AIRE.**

② Limpie el depósito. Elimine los restos de papel o de madera que pudieran haberse acumulado en el depósito. Lubríquelo con el lubricante de herramientas neumáticas de HiKOKI.

2. Compruebe los tornillos de montaje de cada parte

A intervalos regulares, compruebe cada parte para ver si hay tornillos de montaje flojos y si hay fugas de aire. Vuelva a apretar los tornillos flojos que encuentre. La operación con tornillos flojos sin apretar es peligrosa.

3. Inspeccione la palanca de empuje

Compruebe si la palanca de empuje puede deslizarse con suavidad.

Limpie el área deslizante de la palanca de empuje y epee el aceite proporcionado para lubricarla de tanto en tanto.

La lubricación permitirá un deslizamiento suave sirviendo a la vez como medida de prevención contra el óxido.

4. Almacenaje

○ Cuando no utilice la herramienta durante mucho tiempo, aplique una ligera capa de lubricante en las partes de acero para evitar oxidación.

○ No guarde el martillo con ristra de clavos en lugares fríos. Guarde el martillo con ristra de clavos en lugares cálidos.

○ Cuando no emplee la herramienta, deberá guardarla en un lugar seco y cálido.

Manténgala fuera del alcance de los niños.

5. Lista de repuestos

- A: N° ítem
- B: N° código
- C: N° usado
- D: Observaciones

PRECAUCIÓN

La reparación, modificación e inspección de las herramientas eléctricas HiKOKI deben ser realizadas por un Centro de Servicio Autorizado de HiKOKI.

Esta lista de repuestos será de utilidad si es presentada junto con la herramienta al Centro de Servicio Autorizado de HiKOKI, para solicitar la reparación o cualquier otro tipo de mantenimiento.

En el manejo y el mantenimiento de las herramientas eléctricas, se deberán observar las normas y reglamentos vigentes en cada país.

MODIFICACIONES

HiKOKI Power Tools introduce constantemente mejoras y modificaciones para incorporar los últimos avances tecnológicos.

Por consiguiente, algunas partes (por ejemplo, números de códigos y/o diseño) pueden ser modificadas sin previo aviso.

COMPRESOR**PRECAUCIÓN**

Cuando la presión de operación máxima del compresor de aire exceda de 8,3 barías asegúrese de proporcionar una válvula de reducción entre el compresor de aire y el martillo con ristra de clavos. Luego, ajuste la presión de aire dentro del margen de operación de 4,9 – 8,3 barías. Si hay un equipo de aire instalado, también será posible efectuar la lubricación, lo que será además una gran conveniencia.

VÁLVULA DE REDUCCIÓN DEL FILTRO DEL ENGRASADOR (Equipo de aire)

Para que el equipo pueda operar en unas buenas condiciones y asegurar una larga vida de servicio, se recomienda emplear una válvula de reducción del filtro del engrasador. Durante su operación, limite la longitud de la manguera entre la unidad y el equipo de aire a 10 m como máximo (Véase Fig. 9).

LUBRICANTES APLICABLES

Tipo de lubricante	Nombre del lubricante
Aceite recomendado	SELL TONNA
Aceite de motor	SAE10W, SAE20W
Aceite de turbina	ISO VG32- 68 (#90 – #180)

Información sobre el ruido

Valores de la característica de ruido de acuerdo con la norma EN 792-13, junio, 2000:

Nivel de potencia de sonido de un evento de ponderación A típica $LWA, 1s, d = 105 \text{ dB (A)}$

Nivel de presión de sonido de emisión de un evento de ponderación A típica en el lugar de trabajo

$LpA, 1s, d = 98 \text{ dB (A)}$

Incertidumbre KpA: 2,5 dB (A)

Estos valores son los valores característicos relacionados con la herramienta y no representan el desarrollo del ruido en el lugar de empleo. El desarrollo de ruido en el lugar de empleo dependerá del ambiente de trabajo, pieza de trabajo, soporte de la pieza, número de operaciones de clavado, etc.

Dependiendo de las condiciones del lugar de trabajo y de la forma de la pieza de trabajo, deberán llevarse a cabo medidas de atenuación de ruido individuales, tales como la colocación de las piezas de trabajo en soportes amortiguadores de ruido, prevención de vibraciones de la pieza de trabajo mediante sujeción o cobertura, ajuste de la presión de aire mínima requerida para la operación a ejecutar, etc.

En casos especiales será necesario llevar puesto un equipo de protección en los oídos.

Información sobre las vibraciones

El valor característico de vibraciones típico de acuerdo con la norma EN 792-13, junio, 2000: 3,00 m/s² (NR90AD(S1)) 5,50 m/s² (NR90AE(S1))

Incertidumbre K = 1,5 m/s².

Estos valores son valores característicos relacionados con la herramienta y no representan la influencia en el sistema de armado a mano cuando se emplea la herramienta. La influencia en el sistema de armado a mano al emplear la herramienta dependerá de la fuerza de sujeción, fuerza de presión de contacto, dirección del trabajo, ajuste de suministro de energía, pieza de trabajo, soporte de la pieza de trabajo, etc.

YLEISIÄ HUOMAUTUKSIA KÄYTÖSTÄ

- Käytä työkalua turvallisesti vain sille tarkoitettulla tavalla.**
Älä käytä työkalua muihin kuin näissä käyttöohjeissa mainittuihin tarkoituksiin.
- Käsittele työkalua oikein, jotta sen käyttö olisi turvallista.**
Noudata näissä käyttöohjeissa annettuja ohjeita ja käsittele työkalua oikein, jotta sen käyttö olisi turvallista. Älä koskaan anna laitetta lasten tai sellaisten henkilöiden käyttöön, jotka eivät osaa käyttää sitä oikein.
- Varmista työskentelyalueen turvallisuus.**
Pidä asiaankuulumattomat henkilöt poissa työskentelyalueelta. Varsinkin lapset on pidettävä poissa.
- Pidä osat omilla paikoillaan.**
Älä irrota kansia tai ruuveja. Pidä ne aina paikallaan, sillä niillä on oma tarkoituksensa. Älä myöskään koskaan muuta työkalun rakennetta, sillä se on erittäin vaarallista. Äläkä koskaan käytä sellaista työkalua, jonka rakennetta on muutettu.
- Tarkista työkalu ennen sen käyttöä.**
Ennen kuin alat käyttää työkalua, varmista, että mikään osa ei ole rikki, että kaikki ruuvit on kiristetty tiukasti ja että mikään osa ei puutu eikä ole ruostunut.
- Ylikuormitus saattaa aiheuttaa onnettomuuden.**
Älä ylikuormita työkalua tai niiden osia. Ylikuormittaminen vahingoittaa työkalua ja on sinänsä vaarallista.
- Lopeta käyttö heti, jos jotakin tavallisesta poikkeavaa ilmenee.**
Lopeta käyttö välittömästi, jos havaitset jotakin tavallisesta poikkeavaa tai jos työkalu ei toimi oikein; tarkastuta ja korjauta työkalu.
- Käsittele työkalua huolellisesti.**
Jos pudotat työkalun tai kolhit sitä, ulkopinta saattaa vahingoittua ja syntyy halkeamia tai muunlaisia vaurioita, joten käsittele sitä siis erittäin huolellisesti. Älä naarmuta tai kaiverra mitään työkalun pintaan. Työkalun sisällä on korkeapaineilmaa, joten pinnalla olevat halkeamat ovat vaarallisia. Älä koskaan käytä työkalua, jos siihen on tullut halkeama ja jos halkeamasta tulee ilmaa.
- Huolla työkalua hyvin, jotta sen käyttöikä pysyisi pitkänä.**
Pidä työkalusta aina hyvää huoltoa ja pidä se aina puhtaana.
- Säännöllisin välein tapahtuva tarkastus on erittäin tärkeää turvallisuuden kannalta.**
Tarkasta työkalu säännöllisin välein, jotta sen käyttö olisi aina turvallista ja tehokasta.
- Neuvottele valtuutetussa huoltamossa mahdollisesti tarpeellisista korjauksista ja vaihdettavista osista.**
Varmista, että työkalua huoltaa aina valtuutettu huoltaja ja että vaihdossa käytetään vain aitoja vaihto-osia.
- Säilytä työkalu oikein.**
Kun työkalua ei käytetä, se tulee säilyttää kuivassa paikassa poissa lasten ulottuvilta. Pane työkaluun 5-10 tippaa öljyä letkuliitoksesta, jotta se saadaan suojattua ruostumiselta.
- Näissä käyttöohjeissa oleva osakaavio on tarkoitettu vain valtuutettua huoltamoa varten.**

HUOMAUTUKSIA NAULAIMEN KÄYTÖSTÄ

- Oikea käyttö takaa turvallisuuden**
Tämä työkalu on suunniteltu naulojen kiinnittämiseen puuhun tai samanlaiseen materiaaliin. Käytä työkalua vain sille suunnitellulla tavalla.
- Varmista, että paine on teknisissä tiedoissa mainitun ilmanpaineen rajoissa.**
Paineilmakäyttöisiä naulaimia voidaan yhdistää vain paineilmaputkiin, joissa sallittu maksimipaine voi ylittyä korkeintaan 10%-lla. Tämä voidaan saavuttaa esimerkiksi alavirtausturvaventtiiliin sisältävällä paineenvähennysventtiilillä.
(Mallille NR90AD(S1)/NR90AE(S1), 110% nimellisestä sallitusta maksimipaineesta on 9.1 baaria = 130 psi)
- Paineilmakäyttöisiä naulaimia tulee käyttää vain alhaisimmalla mahdollisella käsillä olevaan työprosessiin vaadittavalla ilmanpaineella, jotta estettäisiin tarpeettoman korkeat melutasot, lisääntynyt kuluminen ja tuloksena syntyvät viat.**
- Älä koskaan käytä työkalua muilla korkeapaineikaasuilla kuin paineilmalla.**
Älä koskaan käytä hiilidioksidia, happea tai muuta kaasua painesäiliöistä.
- Varo palamaan syttymistä ja räjähdystä.**
Naulauksen aikana saattaa syntyä kipinöitä, joten on vaarallista käyttää työkalua lakan, maalin, bensiinin, tinnerin, polttoaineen, kaasun, liiman tai muiden helposti syttyvien tai räjähtävien aineiden läheisyydessä. Tätä työkalua ei siis missään olosuhteissa saa käyttää tällaisten aineiden läheisyydessä.
- Käytä aina silmäsuojaa (suojalaseja).**
Kun käytät työkalua, käytä aina silmäsuojaa ja varmista, että lähellä olevat henkilöt käyttävät sitä myös. Virheellisesti kiinnitettyjen naulojen palaset saattavat singota silmiin ja ovat täten erittäin vaarallisia näölle. Silmäsuojia voidaan hankkia mistä tahansa alan liikkeestä. Silmäsuojaa on pidettävä aina tätä työkalua käytettäessä. Käytä joko silmäsuojaa tai suurta suojaa omien silmälasien päällä.
Työnantajan olisi ehdottomasti säädettävä silmäsuojan käyttö pakolliseksi.
- Suojaa korvasi ja pääsi.**
Käytä nauloja kiinnittäessäsi korva- ja pääsuojaa. Tilanteesta riippuen on varmistettava, että myös ympärillä olevat henkilöt käyttävät niitä.
- Ota huomioon lähistöllä työskentelevät.**
On erittäin vaarallista, jos virheellisesti kiinnitetty nauhat sinkoilevat ja osuvat lähistöllä oleviin. Ota siis huomioon lähistöllä työskentelevien turvallisuus, kun käytät tätä työkalua. Varmista, että naulan poistoaukon läheisyydessä ole ketään.
- Älä koskaan kohdista naulan poistoaukkoa kehenkään.**
On aina oletettava, että työkalussa on nauloja. Jos naulojen poistoaukko suunnataan muihin henkilöihin päin, vakava onnettomuus saattaa olla seurauksena, jos työkalu tyhjenetään vahingossa. Kun liität tai irrotat letkua ja asetat nauloja ym. varmista, että naulojen poistoaukko ei ole suunnattu ketään (itsesi mukaan lukien) kohti. Vaikka nauloja ei olisikaan ladattu, on vaarallista tyhjentää kone, jos se on suunnattu muita kohti. Koneita on aina käsiteltävä varoen.
- Tarkasta painovipu ennen työkalun käyttöä.**
Ennen kuin alat käyttää työkalua, varmista aina, että painovipu ja venttiili toimivat oikein. Kun nauloja ei ole liitetty työkaluun, liitä letku ja varmista seuraavat seikat. Jos toimintääntä kuuluu, se on merkki viasta, joten älä käytä työkalua ennen kuin se on tarkastettu ja korjattu.

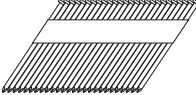
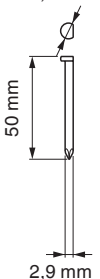
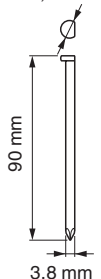
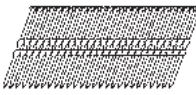
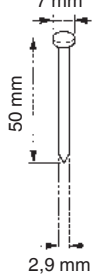
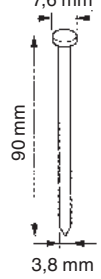
- Jos pelkkä laukaisimen vetäminen aiheuttaa porausterän liikkumisäänen, työkalussa on jokin vika.
- Jos pelkkä painovivun painaminen naulattavaa materiaalia vasten aiheuttaa terän liikkumisäänen, työkalussa on jokin vika. Muista myös, että painovivua ei saa koskaan muuttaa eikä poistaa.
- 10. Käytä aina vain teknisissä tiedoissa mainittuja nauloja.**
Älä koskaan käytä muita kuin teknisissä tiedoissa ja näissä käyttöohjeissa mainittuja nauloja.
- 11. Ole varovainen, kun liität letkun.**
Kun liität letkun ja lataat nauloja, varmista seuraavat seikat, jotta työkalu ei käynnisty vahingossa:
- Älä kosketa laukaisinta.
 - Älä anna laukaisupään koskettaa mitään pintaa.
 - Pidä laukaisupää suunnattuna alas.
- Noudata ohjeita tarkkaan ja varmista, että naulojen poistoaukon edessä ei ole ketään.
- 12. Älä pidä sormeasi laukaisimella.**
Pane sormesi laukaisimelle vain silloin, kun aiot kiinnittää nauloja. Jos kannat työkalua tai annat sen jollekulle sormesi ollessa laukaisimella, saatat vahingossa käynnistää naulauksen ja aiheuttaa onnettomuuden.
- 13. Paina naula-aukkoa lujasti naulattavaan materiaaliin.**
Kun naulaat, paina naula-aukkoa lujasti naulattavaan materiaaliin. Jos naula-aukkoa ei pidetä oikein, naulat eivät kiinnity kunnolla.
- 14. Pidä jalat ja kädet poissa laukaisupästä.**
On erittäin vaarallista, jos naula osuu käteen tai jalkaan.
- 15. Varo työkalun takaisinpotkuja.**
Älä vie päätäsi tms. vartalon osaa työkalun pään lähelle sen käytön aikana. Tämä on vaarallista, sillä työkalu saattaa sinkoilla voimakkaasti, jos kiinnitettävä naula osuu naulauksen aikana toiseen naulaan tai muuhun kovaan kohtaan.
- 16. Ole varovainen poratessasi ohutta levyä tai puumateriaalin nurkkia.**
Kun naulaat ohutta levyä, naula saattaa mennä sen läpi. Näin saattaa käydä myös kulmia naulattaessa. Varmista silloin, että materiaalin alla tai vieressä ei ole mitään (ei esim. käsiä).
- 17. Yhtäaikainen naulaus saman seinän kummaltakin puolelta on erittäin vaarallista.**
Seinän kummaltakin puolelta ei missään tapauksessa saa naulata samanaikaisesti. Se on erittäin vaarallista, koska naula saattaa tulla läpi ja aiheuttaa onnettomuuden.
- 18. Älä käytä työkalua rakennustelineillä ja portailla.**
Työkalua ei saa käyttää esim. seuraavissa tapauksissa:
– kun naulauspaikan vaihdossa joudutaan käyttämään telinettä, portaita, tikapuita tms.
– laatikkojen sulkemiseen
– kuljetuksen turvajärjestelmien kiinnittämiseen esim. ajoneuvoihin.
- 19. Älä irrota letkua sormi laukaisimella.**
Jos letku irrotetaan sormi laukaisimella, seuraavalla kerralla kun letku kiinnitetään on olemassa vaara, että työkalu laukaisee naulan tai toimii virheellisesti.
- 20. Irrota letku ja ota jäljellä olevat naulat pois käytön jälkeen.**
Kytke työkalu irti ilmasta ennen huoltoa, puhdistusta tai kiinnijuuttuneen naulan irrottamista, työskentelyalueelta poistumista, työkalun siirtämistä toiseen paikkaan ja käytön jälkeen. On erittäin vaarallista, jos kone laukaisee naulan vahingossa.
- 21. Kun irrotat kiinnijuuttunutta naulaa, irrota ensin letku ja vapauta paineilma.**
Kun irrotat naula-aukkoon kiinnijuuttunutta naulaa, irrota ensin letku ja vapauta sähkötyökalun sisällä oleva paineilma.
- 22. Rungossa ei saa käyttää naaraspistoetta (ilmapistoke).**
Jos naaraspistoke asennetaan runkoon, paineilman veto ei joskus onnistu, kun letku on irrotettu, joten tätä tulee välttää.
Työkalussa ja varusteisiin kuuluvassa letkussa tulee olla sellainen letkuliitos, että kaikki paineilma poistuu työkalusta, kun liitos irrotetaan.

TEKNISET TIEDOT

Malli	NR90AD (S1)	NR90AE (S1)
Virtatyyppe	Männän vuorovaikutus	
Ilmanpaine (Mittari)	4,9 – 8,3 bar	
Sopivat naulat	Viitekuva	
Ladattavien naulojen määrät	50 – 74 naulaa (2 liuskaa)	64 – 70 naulaa (2 liuskaa)
Koko	462 mm (pituus) × 322 mm (korkeus) × 125 mm (leveys)	527 mm (pituus) × 322 mm (korkeus) × 125 mm (leveys)
Paino	3,2 kg	3,4 kg
Naulansyöttötapa	Männän edestakainen liike	
Letku (sisähalk.)	8 mm	

NAULOJEN VALINTA

Vain nauloja, jotka on näytetty alla olevassa taulukossa, voidaan kiinnittää tällä naulaimella.

NR90AD (S1)			NR90AE (S1)		
Paperisidosteiset liuskanaulat Katkaisukantaiset nauulat	Min.	Maks.	Muovisidosteiset liuskanaulat Täysikantaiset nauulat	Min.	Maks.
	6,8 mm	7,7 mm		7 mm	7,6 mm
					

Naulojen halkaisijat

VAKIOVARUSTEET

- (1) Silmäsuoja..... 1
(2) Kärkisuojaus (kiinnitetty työkaluun)..... 1

KÄYTTÖTAVAT

- Lattia- ja seinälistat.
- Ristikoiden ja ikkunoiden kasaaminen.
- Lattian aluset ja katon kattaus.
- Seinän verhoaus.
- Tilapäisasuntojen ja valmistalojen rakentaminen.

ENNEN KÄYTTÖÄ TAPAHTUVAT VALMISTELUT

1. Valmisteletku

Käytä varusteisiin kuuluvaa letkua, joka on sisähalkaisijaltaan ainakin 8 mm.

HUOM

Ilmanantoletkun vähimmäistyöpaineen on oltava 12,8 baaria tai 150 prosenttia ilmanantojärjestelmässä syntyvästä paineesta riippuen siitä, kumpi näistä arvoista on korkeampi.

2. Varmista turvallisuus

HUOMAUTUS

- Asiaankuulumattomat henkilöt (lapset mukaan luettuina) on pidettävä poissa laitteen läheltä.
- Käytä silmäsuojaa.
- Varmista pakokannen ym. kiinnittävien ruuvien tiukkuus.
- Varmista, ettei naulaimessa ole ilmapuotoja ja vaurioituneita tai ruostuneita osia.
- Varmista, että painovipu toimii oikein. Katso myös onko painovivun liikkuviin osiin kertynyt likaa.
- Varmista vielä kerran käyttöturvallisuus.

ENNEN KÄYTTÖÄ

1. Tarkista ilmanpaine

HUOMAUTUS

Ilmanpaine on pidettävä jatkuvasti rajoissa 4,9 – 8,3 baaria.
Säädä ilmanpaine välille 4,9 – 8,3 baaria naulojen halkaisijan ja pituuden ja naullattavan puun kovuuden

mukaan. Ota erityisesti huomioon kompressorin lähtöpaine, kapasiteetti ja putket, jotta paine ei ylitä rajoitusta. Huomaa, että liiallinen paine saattaa vaikuttaa yleiseen suorituskyykyyn, käyttöikään ja turvallisuuteen.

2. Voitelu

- (1) Ennen tämän naulaimen käyttöä on järjestettävä ilmansäätö ilmakompressorin ja tämän laitteen välillä. Voitelu takaa sujuvan toiminnan, pidentää käyttöikää ja estää ruostumista.
Säädä voitelulaite niin, että öljyä tulee yksi tippa 5-10 naulaus kierroksen välein.
- (2) On suositeltavaa käyttää suositettua öljyä (SHELL TONNA). Muut sopivat öljyt on mainittu listassa. Älä sekoita koskaan kahta tai useampaa öljytyyppiä yhteen.

3. Lataa nauulat

- (1) Työnnä naulaliuska makasiinin takaosaan (Katso Kuva 2)
- (2) Liu'uta naulaliuskaa eteenpäin makasiinissa. Naulaliuskan pitäisi kulkea naulanpitimen kautta.
- (3) Vedä naulansyötintä (B) taaksepäin kytkkeäksesi naulansyötin (A) naulaliuskaan.

HUOM

Käytä useamman kuin 5 naulan naulalistaa.

Naulain on nyt valmis käyttöön.

Naulojen poisto:

- ① Vedä naulansyötintä (B) takaisinpäin.
- ② Palauta naulansyötin (B) eteenpäin hitaasti samalla, kun painat naulansyötintä (A).
- ③ Työnnä naulanpidintä kohti makasiinin sivua ja vedä ulos nauulat makasiinin takaosasta.

HUOMAUTUS

Tahattoman käytön estämiseksi älä koskaan kosketa laukaisinta äläkä aseta painovivun yläpäätä työstöpenkille tai lattialle. Älä myöskään koskaan kohdistaa naula-ukkoa ketään kohti.

NAULAIMEN KÄYTTÖ

HUOMAUTUS

- Älä koskaan käytä tämän laitteen päätä tai runkoa vasarana.
- Varmista lähellä olevien turvallisuus.

1. Naulojen kiinnitys

Tämä HiKOKin naulain on varustettu naulaintoiminnon kytkinlaitteella.

Käytä YKSITTÄISTÄ PERÄKKÄISTÄ KÄYNNISTYSMEKANISMIA tai KOSKETUSKÄYNNISTYSMEKANISMIA suoritettavan työn mukaan.

(1) Jaksoittainen naulaus

Aseta kytkinlaite yläasentoon (asettaaksesi YKSITTÄISTÄ PERÄKKÄISTÄ KÄYNNISTYSMEKANISMIN) (Katso kuva 3).

Paina naula-aukko haluttuun kohtaan, sitten vedä laukaisimesta nauலatakseksi naulan yhdellä laukaisulla (Katso kuva 4).

Kun olet nauلائnut kerran, nauлаaminen ei ole mahdollista uudestaan, ennen kuin laukaisin vapautetaan ja painetaan uudelleen.

VAROITUS

Nauла laukeaa joka kerta, kun liipaisinta painetaan niin kauan kuin painovipu pysyy painettuna.

HUOMAUTUS

Jos et vedä laukaisimesta nopeasti ja terävästi käyttäessäsi yhden laukaisun tilaa, naulain hyppää ylös ja nauлаa useita nauлоja yhden sijasta. Vältäaksesi tämän varmistu, että vedät laukaisimesta nopeasti ja terävästi.

(2) Painovipu

Kun painat nauла-aukkoa alas, varmista, että nostat painovivun täysin (Katso kuva 4) vapauttaaksesi turvalukon. Siten nauлоja ei voida nauлаta vapauttamatta turvalukkoa, vaikka laukaisimista vedettäisiinkin.

(3) Jatkuva naulaus

Aseta kytkinlaite ala-asentoon (asettaaksesi KOSKETUSKÄYNNISTYSMEKANISMIN) (Katso kuva 5).

Ensin vedä laukaisimesta. Sitten paina laite haluttuun kohtaan nauலatakseksi nauлоja automaattisesti (Katso kuva 6).

YKSITTÄISTÄ PERÄKKÄISTÄ KÄYNNISTYSMEKANISMIA käytetään, missä tarvitaan tarkkuuskiinnityssiiojittelua.

YKSITTÄINEN PERÄKKÄINEN KÄYNNISTYSMEKANISMI voi vähentää fyysisen vamman mahdollisuutta muille työalueella verrattuna KOSKETUSKÄYNNISTYSMEKANISMIIN. Tämä johtuu siitä, että tahattoman naulan lyömisen todennäköisyys on pienempi, jos pidät liipaisinta vedettyinä ja vahingossa osut työntövivulla itseesi tai muihin.

YKSITTÄINEN PERÄKKÄINEN KÄYNNISTYSMEKANISMI voi myös pienentää toiminnan nopeutta verrattuna KOSKETUSKÄYNNISTYSMEKANISMIIN. YKSITTÄINEN PERÄKKÄINEN KÄYNNISTYSMEKANISMI on suositeltava kokemattomille käyttäjille

HUOMAUTUS

○ Ole varovainen kiinnittäessäsi nauлоja kulmiin tai sahatavaraan; nauла saattaa mennä vinoon tai tulla kulman läpi.

○ Älä kiinnitä nauлаa toiseen nauлаan.

○ Älä kiinnitä nauлаa metallisiin osiin.

HUOM

○ Huomattava ilman kuormaa tapahtuvasta toiminnasta Joskus naulaus jatkuu senkin jälkeen, kun kaikki makasiinissa olevat nauಲat on jo kiinnitetty. Tästä käytetään nimitystä "ilman kuormaa tapahtuva toiminta". Tällainen toiminta vahingoittaa puskuria, makasiinia ja naulan syöttölaiteita. Jotta ilman kuormaa tapahtuva toiminta saadaan estettyä, varmista paljonko nauлоja on jäljellä. Kaikki nauಲat on otettava pois käytön jälkeen.

○ Käsittele aina nauлоja ja pakkausta varovaisesti. Jos nauಲat putoavat, niitä yhdistävä side voi rikkoutua.

○ Naulauksen jälkeen:

(1) irrota ilmaletku nauлаimesta

(2) irrota kaikki nauಲat nauлаimesta

(3) lisää 5-10 tippaa HiKOKin pneumaattista työkaluvoiteluainetta nauлаimen ilmapistokkeeseen ja

(4) avaa kompressorin tankin tyhjennyshana poistaaksesi mahdollisen kosteuden.

○ Alhaisissa lämpötiloissa kone ei joskus toimi kunnolla.

2. Naulaussyvyyden säätö (Katso kuva 7)

Jotta jokainen nauла menee samaan syyvyyteen, varmista että:

(1) Naulaimeen kohdistuva ilmanpaine pysyy vakiona (säädin on asennettu ja että se toimii kunnolla) ja

(2) Naulainta pidetään aina lujasti työstökappaletta vasten.

Jos nauಲat menevät liian syvälle tai liian matalalle työstökappaleeseen, säädä nauлаussyyvyys seuraavalla tavalla.

① IRROTA ILMALETKU NAULAIMESTA.

② Jos nauಲat menevät liian syvälle, käännä säädintä matalalle puolelle.

Jos nauಲat menevät liian matalalle, käännä säädintä syväälle puolelle.

③ Lopeta säätimen käänttäminen, kun koenaulauksessa saavutetaan sopiva syyvyys.

④ Liitä ilmaletku.

KÄYTÄ SILMÄSUOJAA.

Suorita koenaulaus.

⑤ IRROTA ILMALETKU NAULAIMESTA.

⑥ Valitse säätimelle sopiva asento.

3. Kärkisuojuksen käyttö (Katso Kuva 8)

HUOMAUTUS

Kun irrotat tai kiinnität kärkisuojusta, varmista, että olet siirtänyt sormesi pois laukaisimelta ja irrotanut ilmaletkun nauлаimesta.

Kärkisuojuus on kiinnitetty painovivun kärkeen työstökappaleen suojaamiseksi naarmuilta ja vahingolta. Poista se alla näytetyssä järjestyksessä, kun et käytä sitä.

(1) IRROTA ILMALETKU NAULAIMESTA.

(2) Vedä kärkisuojusta kuvan osoittaman nuolen suuntaisesti.

○ Kiinnitä se painovivun kärkeen päinvastaisessa järjestyksessä kuin irrotettaessa.

TARKASTUS JA HUOLTO

HUOMAUTUS

Muista irrottaa letku kiinnijuuttuneiden nauлоjen irrotuksen, tarkastuksen, huollon ja puhdistuksen ajaksi.

1. Makasiinin tarkastus

① IRROTA ILMALETKU.

② Puhdista makasiini. Irrota paperipalat tai puulastut, joita on saattanut kertyä makasiiniin. Voitele se HiKOKin pneumaattisella työkaluvoiteluaineella.

2. Tarkasta kunkin osan asennusruuvit

Tarkasta säännöllisin välein onko laitteessa löystyneitä asennusruuveja ja löytyykö ilmapuotoja. Kiristä mahdollisesti löystyneet ruuvit. Laitteen käyttö ruuvien ollessa löysällä aiheuttaa vaaratilanteen.

3. Painovivun tarkastus

Tarkasta, että painovipu voi liukua tasaisesti. Puhdista painovivun liukualue ja käytä mukana tullutta öljyä voitelemiseen silloin tällöin. Voiteleminen mahdollistaa tasaisen liukumisen ja samanaikaisesti estää ruosteen muodostumisen.

4. Säilytys

- Kun et käytä työkalua pitkään aikaan, lisää ohut kerros voiteluainetta teräksisiin osiin ruosteen välttämiseksi.
- Älä säilytä naulainta kylmissä sääolosuhteissa. Pidä naulain lämpimässä paikassa.
- Kun naulain ei ole käytössä, se pitäisi säilyttää lämpimässä ja kuivassa paikassa. Pidä naulain pois lasten ulottuvilta.

5. Lista huollettavista osista

- A: Kohtanr.
B: Koodinr.
C: Käytetty nr.
D: Huomautuksia

HUOMAUTUS

HiKOKI-sähkötyökalujen korjaukset, muutokset ja tarkastukset on teetettävä valtuutetussa HiKOKI-huoltokeskuksessa.

Osalista on hyödyllinen, kun se annetaan yhdessä työkalun kanssa valtuutettuun HiKOKI-huoltokeskukseen korjausta tai huoltoa pyydettyäessä. Sähkötyökalujen käytössä ja huollossa on aina noudatettava kussakin maassa voimassa olevia turvaohjeita ja normeja.

MUUTOKSET

HiKOKI-sähkötyökaluja parannetaan ja muutetaan jatkuvasti niin, että niihin saadaan sisällytettyä uusin teknologia. Tästä johtuen jotkut osat saattavat muuttua ilman ennakoilmoitusta.

KOMPRESSORI

HUOMAUTUS

Kun ilmakompressorin suurin käyttöpaine ylittää 8,3 baaria, hanki vähennysventtiili ilmakompressorin ja naulaimen väliin. Säädä ilmanpaine sitten käyttöalalle 4,9 – 8,3 baaria. Jos ilmasäädin on asennettu, voitelu on myös mahdollista, mikä on lisämukavuus.

ÖLJYSUODATTIMEN VÄHENNYSVENTTIILI (ILMASÄÄDIN)

Jotta laitetta voitaisiin käyttää parhaissa mahdollisissa olosuhteissa ja sen käyttöikä pysyisi mahdollisimman pitkänä, on syytä käyttää öljysuodattimen vähennysventtiiliä. Rajoita laitteen ja ilmasäätimen välinen letku alle 10 m käytön aikana. **(Kuva 9)**

SOPIVAT VOITELUAINEET

Voiteluainetyyppi	Voiteluaineen nimi
Suosittu öljy	SHELL TONNA
Moottoriöljy	SAE10W, SAE20W
Turbiiniöljy	ISO VG32 – 68 (#90 – #180)

Tietoja melusta

Meluarvot vastaavat normia EN 792-13, KESÄKUU, 2000:
 Tyypillinen A-painotteinen yhden tapahtuman äänipainearvo LWA, 1 s, d=105 dB (A)
 Tyypillinen A-painotteinen yhden tapahtuman äänitehopainearvo työasemalla LpA, 1s, d=98 dB (A)
 KpA-toleranssi: 2,5 dB(A)

Nämä arvot ovat työkaluun liittyviä arvoja eivätkä ne edusta käytössä syntyvää melua. Käytössä syntyvä melu riippuu esim. työympäristöstä, työstettävästä materiaalista, sen tuesta, meneillään olevien töiden lukumäärästä jne.

Riippuen työpaikan olosuhteista ja työstökappaleesta on kenties tarpeen suorittaa melun vaimennustoimenpiteitä kuten esim. asettamalla työstökappale ääntä vaimentavalle pinnalle, estämällä värinä kiinnittämällä työstökappale tai peittämällä se ja säätämällä toimenpiteessä tarvittava ilmanpaine minimiin jne.

Erikoistapauksissa on tarpeen käyttää kuulosuojaa.

Tietoja värinästä

Tyypillinen värinäarvo vastaa normia EN 792-13, KESÄKUU, 2000: 3,00 m/s² (NR90AD(S1)) 5,50 m/s² (NR90AE(S1)).
 Epävarmuus K = 1,5 m/s²

Tämä arvo on työkaluun liittyvä arvo eikä se edusta vaikutusta käsiin-käsivarteeseen työkalua käytettäessä. Vaikutus käteen-käsivarteeseen riippuu esim. puristusvoimasta, kontaktipinnan painovoimasta, työskentelysuunnasta, energialähteen säädöstä, työstökappaleesta ja sen tuesta.

ГЛАВНЫЕ МЕРЫ ПРЕДОСТОРОЖНОСТИ ПРИ РАБОТЕ

1. **Для правильного использования электроприбора соблюдайте осторожность при работе с ним.**
Не используйте электроприбор для целей, отличных от тех, которые указаны в данной инструкции.
2. **Для безопасной работы обращайтесь с этим электроприбором, надлежащим образом.**
Соблюдайте инструкции, представленные в этом руководстве и правильно обращайтесь с этим прибором с целью обеспечения безопасной работы. Ни в коем случае не разрешайте пользоваться этим инструментом детям или людям, не обладающим достаточными знаниями, или которые не могут управлять им надлежащим образом.
3. **Убедитесь в невозможности доступа к мастерской.**
Не пускайте в мастерскую посторонних. Детей следует особо оградить от доступа к этому инструменту.
4. **Все нужные детали в нужных местах.**
Не снимайте крышки и не откручивайте шурупы. Все они выполняют свои определённые функции. Более того, в связи с возможной опасностью, ни в коем случае не вносите изменения в инструмент, а также не пользуйтесь им после его изменения.
5. **Проверьте инструмент перед его использованием.**
Каждый раз перед использованием прибора проверьте, чтобы ни одна из деталей не была повреждена, чтобы все шурупы были туго закручены, чтобы все детали на месте и без ржавчины.
6. **Слишком длительная работа может привести к поломкам.**
Не выполняйте инструментами и их аксессуарами работ, для которых они не предназначены. Слишком длительная работа может не только повредить электроприбор, но и сама по себе несёт опасность.
7. **В случае обнаружения отклонений, немедленно прекратите работу.**
Прекратите работу, если вы обнаружили отклонения или когда электроприбор не работает надлежащим образом; проверьте электроприбор и почините его.
8. **Надлежащим образом следите за электроприбором.**
Падение электроприбора или его удар о какие-либо предметы может привести к деформации и образованию трещин или иного рода повреждений, поэтому обращайтесь с ним с надлежащей осторожностью. Также не выцарапывайте и не вырезайте надписи на электроприборе. В связи с высоким давлением воздуха внутри инструмента, трещины на поверхности опасны. Никогда не используйте электроприбор, если трещина увеличивается, или когда из трещины выходит воздух.
9. **Для обеспечения длительного срока работы инструмента, берегите его надлежащим образом.**
Всегда надлежащим образом следите за инструментом и держите его в чистоте.

10. **Для безопасности, инструмент необходимо постоянно проверять.**

Проверяйте электроприбор регулярно с целью обеспечения безопасной работы электроприбора и его эффективности в любое время.

11. **В случае необходимости проведения ремонта или замены деталей, обратитесь к уполномоченному обслуживающему агенту.**
Обязательно обращайтесь только на фирменную станцию обслуживания электроприбора, а также проследите, чтобы детали заменялись только на оригинальные.
12. **Электроприбор храните в надлежащем месте.**
Если вы не пользуетесь электроприбором - храните его в сухом месте, вне досягаемости детей. акачайте 5-10 капель масла в корпус через отверстие шланга для того, чтобы защитить прибор от ржавления.
13. **Схема разобранного прибора в этой инструкции должна быть использована только центром обслуживания.**

МЕРЫ ПРЕДОСТОРОЖНОСТИ ПРИ ИСПОЛЬЗОВАНИИ ГВОЗДЕЗАБИВНОГО СТАНКА

1. **Безопасная работа посредством правильного использования**
Этот инструмент спроектирован с целью забивания гвоздей в дерево и похожие материалы. Используйте его только по назначению.
2. **Убедитесь в том, что давление воздуха находится в пределах, определённых для давления воздуха.**
Приводные инструменты с креплением, приводимые в действие сжатым воздухом, должны присоединяться к нагнетательным линиям воздуха, не превышающим максимально допустимый уровень давления более чем на 10%, который, к примеру, можно достичь клапаном регулировки давления, включающим нижний предохранительный клапан.
(Для модели NR90AD(S1)/NR90AE(S1), 110% максимально допустимого давления составляет 9,1 бар = 130 psi)

Приводные инструменты с креплением, приводимые в действие сжатым воздухом, должны работать при самом низком давлении, необходимом для работы, с целью предотвращения ненужного шума.
3. **Ни в коем случае не работайте с инструментом на газах высокого давления кроме как на сжатом воздухе.**
Никогда и ни при каких обстоятельствах не используйте углекислый газ, кислород или другой газ, в ёмкостях под давлением.
4. **Остерегайтесь воспламенения и взрыва.**
Поскольку во время забивания гвоздя могут возникнуть искры - существует опасность использования данного инструмента вблизи лаков, красок, бензина, растворителей, топлива, газа, клея и иных легковоспламеняющихся веществ, поскольку они могут загореться или взорваться. Таким образом, данным инструментом нельзя пользоваться вблизи этих легковоспламеняющихся материалов.

5. Всегда защищайте глаза (одевайте защитные очки).

При работе с данным электроприбором, всегда одевайте защитные очки и убедитесь в том, что окружающие тоже их одели.

Вероятность того, что частицы гвоздей, по которым производится неверный удар, попадут в глаз, создаёт угрозу зрению. Защитные очки можно приобрести в любом хозяйственном магазине. Всегда одевайте защитные очки при работе с этим инструментом. Одевайте защитные очки или широкую маску поверх обычных очков.

Рабочие обязаны всегда одевать защитные очки.

6. Защитите свои уши и голову.

Во время работы с гвоздезабивным станком одевайте наушники и шлем. Также, в зависимости от условий, проследите за тем, чтобы окружающие также одели наушники и шлемы.

7. Особое внимание обращайте на работающих в непосредственной близости к вам.

Существует значительная опасность в случае попадания в людей частей гвоздя при неправильном его забивании. Поэтому, всегда обращайтесь внимание на безопасность людей, находящихся возле вас при пользовании этим инструментом. Ни в коем случае не направляйте сопло выхода гвоздей на тело, руки или ноги находящихся возле вас людей.

8. Ни при каких обстоятельствах не направляйте сопло выхода гвоздей на людей.

Данный инструмент должен быть обязательно оснащён защёлками.

Если сопло выхода гвоздей направлено в сторону людей, они могут получить серьёзные травмы при случайном срабатывании инструмента. При присоединении и отсоединении шланга, во время загрузки гвоздей или подобных операций, убедитесь в том, что сопло выхода гвоздей направлено в сторону от находящихся возле вас (включая себя). Даже если в магазине инструмента нет гвоздей, запрещается направлять его на людей и спускать курок, поэтому, никогда не пробуйте делать этого. Не балуйтесь им. Относитесь к данному инструменту с должным уважением.

9. Проверьте курок перед использованием этого электроприбора.

Перед работой с электроприбором, проверьте нормальную работу курка и клапана. Подсоедините шланг и проверьте следующее с пустым магазином гвоздей: Если слышны звуки срабатывания прибора – это обозначает поломку, поэтому, в таких случаях не пользуйтесь данным электроприбором до его проверки и починки.

○ Если при лёгком нажатии на курок слышен звук движения лезвия привода – это обозначает поломку прибора.

○ Если при лёгком нажатии на курок, когда инструмент прижат к материалу, в который должен быть забит гвоздь, слышен звук движения лезвия привода – это обозначает поломку прибора. Кроме того, что касается курка, обращаем ваше особое внимание на то, что его нельзя видеоизменять или снимать.

10. Используйте только специальные гвозди.

Ни в коем случае не используйте гвозди, отличные от тех, описанных в данной инструкции.

11. Соблюдайте осторожность при подключении шланга.

Чтобы не включить прибор случайным образом, при подсоединении шланга и при загрузке гвоздей, соблюдайте следующие правила:

○ Не притрагивайтесь к курку.
○ Не допускайте контакта сопла с какой-либо поверхностью.

○ Держите сопло головкой вниз.
Соблюдайте инструкции, указанные выше и не в коем случае не направляйте сопло выхода гвоздей на тело, руки или ноги находящихся возле вас людей.

12. Не кладите палец на курок по неосторожности.

Не притрагивайтесь к курку, кроме случаев, когда вам действительно необходимо забить гвозди. Если вы несёте этот инструмент в руках, или передаёте его кому-либо и при этом держите свой палец на курке – вы можете случайно выстрелить гвоздём, что может привести к травмированию.

13. Надёжно примните сопло выхода гвоздей к тому материалу, который вы собираетесь соединить гвоздями.

При забивке гвоздей, прижмите сопло выхода гвоздей к тому материалу, который вы собираетесь соединить гвоздями. Если сопло не прижато надлежащим образом – гвозди могут вызвать отдачу.

14. При работе держите руки и ноги вдали от головки выброса.

При случайном попадании гвоздя в руку или ногу, существует возможность серьёзного травмирования.

15. Остерегайтесь отдачи инструмента.

Во время работы, держите голову как можно дальше от инструмента. Это опасно, поскольку инструмент может дать отдачу от гвоздя, ударившегося о предыдущий гвоздь или сук.

16. Будьте внимательны при забивании гвоздей в тонкие доски или углы дерева.

При забивании гвоздей в доски, гвозди могут пробить их насквозь, тоже самое может произойти при забивании в углы дерева из-за прогибания гвоздей. В таких случаях обязательно проверьте, чтобы за тонкими досками или деревом не было никого (ничья рука или нога и т.д.) когда вы собираетесь забить гвоздь.

17. Одновременное забивание гвоздей с обеих сторон опасно.

Ни в коем случае нельзя забивать гвозди в одну и ту же стену по обе стороны. Это может представлять опасность, поскольку существует опасность того, что гвозди пройдут сквозь стену и травмируют рабочего.

18. Не пользуйтесь электроприбором на лесах и на стремянках.

Этим электроприбором нельзя пользоваться для особых целей, к примеру:

- если при смене места забивания необходимо пользоваться лесами, ступенями, стремлянками или схожими конструкциями, к примеру, планка крыши.
- при закрывании коробок или ящиков,
- при креплении систем безопасности при транспортировке, к примеру, на машинах или трейлерах

19. Не отсоединяйте шланг при этом держа палец на курке.

Если вы отсоединяете шланг и держите палец на курке – существует опасность того, что при следующем подсоединении шланга электроприбор самопроизвольно выстрелит гвоздём или будет неправильно работать.

20. После работы, отсоедините шланг и выньте оставшиеся гвозди из магазина.

Отсоедините инструмент от воздушной линии перед его ремонтом, освобождением застопоренного зажима, при уходе с места работы, при переходе на другое место работы или после окончания работы. Ошибочное забивания гвоздей может быть особо опасно.

21. При попытке достать застрявший гвоздь, прежде всего, убедитесь в том, что шланг отсоединён и, что сжатый воздух стравлен.

При попытке достать застрявший гвоздь в сопле выхода гвоздя, прежде всего, убедитесь в том, что шланг отсоединён и, что сжатый воздух стравлен в инструмент.

Случайный выстрел гвоздя может быть очень опасен.

22. Охватывающий зажим (гнездо подсоединения воздуха) нельзя надевать на корпус.

Если на корпус надет охватывающий зажим, тогда сжатый воздух может иногда не поступать, когда шланг отключён, поэтому не допускайте такой ситуации.

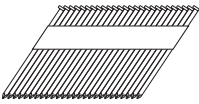
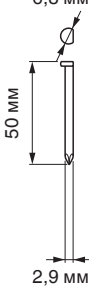
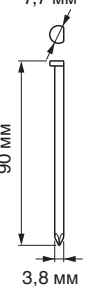

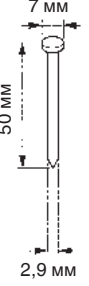

Сам инструмент и шланг подачи воздуха должны быть снабжены муфтой, которая стравливает воздух при её отсоединении.

ХАРАКТЕРИСТИКИ

Модель	NR90AD (S1)	NR90AE (S1)
Тип электроэнергии	Ход поршня	
Давление воздуха (манометр)	4,9 – 8,3 бар	
Используемые гвозди	базовый Рис.	
Количество загружаемых гвоздей	50 – 74 гвоздей (2 ленты)	64 – 70 гвоздей (2 ленты)
Размер	462 мм (длина) × 322 мм (высота) × 125 мм (ширина)	527 мм (длина) × 322 мм (высота) × 125 мм (ширина)
Вес	3,2 кг	3,4 кг
Способ подачи гвоздей	Ход поршня	
Шланг (внутренний диаметр)	8 мм	

ВЫБОР ГВОДЕЙ

С данной гвоздезабивной машиной можно применять только приведенные в таблице ниже гвозди.

Бумажные нумерованные гвоздевые ленты Гвозди с подрезанными шляпками	NR90AD (S1)		Пластмассовые нумерованные гвоздевые ленты Гвозди с целыми шляпками	NR90AE (S1)	
	Мин.	Макс.		Мин.	Макс.
	6,8 мм  50 мм 2,9 мм	7,7 мм  90 мм 3,8 мм		7 мм  50 мм 2,9 мм	7,6 мм  90 мм 3,8 мм

Измерения гвоздей

СТАНДАРТНЫЕ ПРИСПОСОБЛЕНИЯ

- (1) Защита для глаз 1
 (2) Крышка наконечника
 (одевается на инструмент) 1

ПРИМЕНЕНИЕ

- Обрешетка пола и стены.
- Подготовка стропил и окон.
- Черновой пол и настил крыши.
- Ионная оболочка.
- Конструкция дома на колесах и модульные конструкции.

ПОДГОТОВКА К РАБОТЕ

1. Подготовка шланга

Убедитесь в том, что внутренний диаметр шланга минимум 8 мм.

ПРИМЕЧАНИЕ

Шланги подачи воздуха должны быть рассчитаны на 12,8 бар рабочего давления или 150 процентов максимального давления, производимого в системе подачи воздуха, в зависимости от того, который из них выше.

2. Проверьте безопасности

ПРЕДОСТЕРЕЖЕНИЯ

- Посторонних (включая детей) не допускать к оборудованию.
- Одевайте защитные очки.
- Проверьте стопронные болты, фиксирующие крышки выходов и т.д. на прочность затяжки. Проверьте гвоздезабивочный станок на предмет утечек или ржавчины.
- Проверьте работает ли курок надлежащим образом. Также проверьте не забиты ли подвижные детали курка грязью.
- Повторно проверьте безопасности работы.

ПЕРЕД РАБОТОЙ

1. Проверьте давление воздуха

ПРЕДОСТЕРЕЖЕНИЯ

Давление необходимо постоянно удерживать на уровне 4,9 – 8,3 бар.

Отрегулируйте давление воздуха в пределах от 4,9 до 8,3 бар в соответствии с диаметрами и длиной гвоздей и твердости дерева в которое будут забиваться гвозди. Особое внимание обратите на давление на выходе, объём и трубную обвязку воздушного компрессора, с тем, чтобы давление воздуха не превышало указанные пределы. Помните, что излишнее давление может оказать негативное влияние на общую работу, срок службы и безопасность инструмента.

2. Смазка

- (1) Перед началом работы с этим гвоздезабивным станком, убедитесь в наличии переводника от воздушного компрессора и этим инструментом. Смазка, производимая через воздушный переводник обеспечивает нормальную работу, длительный срок службы и отсутствие коррозии. Настройте маслёнку таким образом, чтобы маслёнка поступало с интервалом от 5 до 10 циклов подачи гвоздей.
- (2) Рекомендуется пользоваться маслом (SHELL TONNA). В перечне указаны другие рекомендованные масла. Ни в коем случае не смешивайте два или более разных типов масел.

3. Загрузка гвоздей

- (1) Вставьте гвоздевую ленту в хвостовую часть магазина (см. Рис. 2).
- (2) Протяните гвоздевую ленту в торец магазина.
- (3) Оттяните подающий механизм (B) назад, чтобы сцепить подающий механизм (A) с гвоздевой лентой.

ПРИМЕЧАНИЕ

Вставьте полосу гвоздей, состоящих из более чем 5 гвоздей.

Сейчас гвоздезабивной станок готов к работе.

Выемка гвоздей:

- ① Оттяните подающий механизм гвоздей (B) назад.
- ② Осторожно верните подающий механизм (B) вперед, при этом толкая подающий механизм (A).
- ③ Толкните гвоздевой стопор к магазину и достаньте гвозди с задней части магазина.

ПРЕДОСТЕРЕЖЕНИЯ

Чтобы предотвратить неумышленное срабатывание, ни в коем случае не прикасайтесь к курку и не ложите верхний край курка на верстак или пол. Также, никогда не направляйте сопло выхода гвоздей, ни на какие части тела человека.

КАК ПОЛЬЗОВАТЬСЯ

ГВОЗДЕЗАБИВОЧНЫМ СТАНКОМ

ПРЕДОСТЕРЕЖЕНИЯ

- Никогда не пользуйтесь головкой или корпусом этого прибора в качестве молотка.
- Соблюдайте меры предосторожности с целью обеспечения безопасности людей, находящихся вблизи проведения работ.

1. Процедуры забивания гвоздей

Гвоздезабивной станок HiKOKI оснащён переключающимся механизмом с функцией забивания гвоздей.

В зависимости от планируемой работы, выберите МЕХАНИЗМ ОДИНОЧНОГО ПОСЛЕДОВАТЕЛЬНОГО ДЕЙСТВИЯ или МЕХАНИЗМ КОНТАКТНОГО ПУСКА.

(1) Периодическое забивание гвоздей

Поставьте переключатель в верхнее положение (чтобы выбрать МЕХАНИЗМ ОДИНОЧНОГО ПОСЛЕДОВАТЕЛЬНОГО ДЕЙСТВИЯ) (См. Рис. 3). Прижмите сопло выхода гвоздей к нужному месту и нажмите курок, чтобы забить гвоздь одним выстрелом (См. Рис. 4).

После первого забивания гвоздя, следующая операция не будет возможной до тех пор пока курок будет отпущен и нажат снова.

ПРЕДУПРЕЖДЕНИЕ

Гвоздь выстреливается при каждом нажатии пускового крючка и только при прижатом прижимном рычаге.

ПРЕДОСТЕРЕЖЕНИЯ

Если в режиме одиночного выстрела вы не нажмёте курок быстро и решительно, тогда станок может подпрыгнуть и выстрелить несколько гвоздей вместо одного. Во избежании этого, убедитесь в том, что курок нажимается быстро и решительно.

(2) Нажимте рычаг

При прижимании сопла выхода гвоздей, обязательно полностью поднимите рычаг-толкатель (См. Рис. 4) снять предохранитель. Таким образом, гвозди невозможно забить без того, чтобы снять предохранитель, даже если нажимать курок.

- (3) Бесперывное забивание гвоздей
Поставьте переключатель в нижнее положение (чтобы выбрать МЕХАНИЗМ КОНТАКТНОГО ПУСКА) (См. Рис. 5).
Прежде всего, нажмите курок. Потом прижмите прибор в необходимое положение для автоматического забивания гвоздей (См. Рис. 6).

МЕХАНИЗМ ОДИНОЧНОГО ПОСЛЕДОВАТЕЛЬНОГО ДЕЙСТВИЯ используется, если требуется точное забивание гвоздя.

МЕХАНИЗМ ОДИНОЧНОГО ПОСЛЕДОВАТЕЛЬНОГО ДЕЙСТВИЯ снижает опасность нанесения телесных повреждений работающему и другим лицам в рабочей зоне по сравнению с МЕХАНИЗМОМ КОНТАКТНОГО ПУСКА. Это происходит благодаря тому, что устраняется возможность выстреливания непредусмотренного гвоздя при нажатом пусковом крючке и случайном срабатывании прижимного рычага к себе или другому лицу.

МЕХАНИЗМ ОДИНОЧНОГО ПОСЛЕДОВАТЕЛЬНОГО ДЕЙСТВИЯ также снижает скорость работы по сравнению с МЕХАНИЗМОМ КОНТАКТНОГО ПУСКА. МЕХАНИЗМ ОДИНОЧНОГО ПОСЛЕДОВАТЕЛЬНОГО ДЕЙСТВИЯ рекомендуется для использования неопытными пользователями.

ПРЕДОСТЕРЕЖЕНИЯ

- Проявляйте осторожность при забивании гвоздей в углы дерева. При бесперывном забивании гвоздей в углы дерева, гвоздь может соскочить или пробить угол насквозь.
- Не вбивайте гвоздь в другой гвоздь.
- Не вбивайте гвоздь в металлические части.

ПРИМЕЧАНИЯ

- Меры предосторожности при срабатывании без загрузки
Иногда, забивание гвоздей будет продолжаться после забивания всех гвоздей, ранее содержащихся в магазине.
Это и обозначает термин “срабатывание без загрузки”. Такое срабатывание может повредить амортизатор, магазин и подаватель гвоздей.
Во избежание срабатывания без загрузки, постоянно проверяйте количество оставшихся гвоздей. Другими словами, все гвозди необходимо вынимать после использования гвоздезабивного станка.
 - Всегда обращайтесь с осторожностью с гвоздями и пакетом. При падении гвоздей может поломаться подборка соединений.
 - После забивания гвоздей:
 - (1) отсоедините шланг от гвоздезабивного станка;
 - (2) выньте все гвозди из гвоздезабивного станка;
 - (3) закапайте 5–10 капель смазки пневматического инструмента Хитачи в воздушную пробку гвоздезабивного станка; и
 - (4) откройте сливной кран ёмкости воздушного компрессора, чтобы слить жидкость.
 - В условиях низкой температуры аппарат не всегда правильно работает. Всегда пользуйтесь устройством при соответствующей температуре воздуха.
- 2. Настройка глубины забивания гвоздей (См. Рис. 7)**
Для того, чтобы обеспечить забивание гвоздей на одинаковую глубину, проверьте, чтобы:
 - (1) давление воздуха на гвоздезабивной станок почтительно (регулятор установлен и работает надлежащим образом, а также

- (2) гвоздезабивной станок всегда твёрдо упирается в изделие.

Если гвозди забиваются слишком глубоко или мелко в изделия, настройте забивку гвоздей в следующем порядке.

- ① **ОТСОЕДИНИТЕ ВОЗДУШНЫЙ ШЛАНГ ОТ ГВОЗДЕЗАБИВНОГО ИНСТРУМЕНТА**
- ② Если гвозди забиваются слишком глубоко, поверните регулятор в сторону уменьшения. Если гвозди забиваются слишком мелко, поверните регулятор в сторону увеличения.
- ③ При достижении подходящего положения, для испытания забивки гвоздей, прекратите регулировку.
- ④ Подсоедините шланг воздуха
ВСЕГДА ОДЕВАЙТЕ ЗАЩИТНЫЕ ОЧКИ.
Произведите пробное забивание гвоздя
- ⑤ **ОТСОЕДИНИТЕ ВОЗДУШНЫЙ ШЛАНГ ОТ ГВОЗДЕЗАБИВНОГО ИНСТРУМЕНТА**
- ⑥ Подберите необходимое положение для регулятора.

3. Используйте крышку наконечника (См. Рис. 8) ПРЕДОСТЕРЕЖЕНИЯ

При присоединении или отсоединении крышки наконечника, уберите палец с курка и отсоедините шланг воздуха от гвоздезабивного станка.

Крышка наконечника прикреплена к верхушке пускового рычага для защиты материала от царапин и повреждения. Когда вы не пользуетесь инструментом - снимите как это показано на рисунке внизу.

- (1) **ОТСОЕДИНИТЕ ВОЗДУШНЫЙ ШЛАНГ ОТ ГВОЗДЕЗАБИВНОГО СТАНКА.**
 - (2) Выньте крышку наконечника в направлении, указанном на схеме.
- Присоединяется к верхушке пускового рычага в направлении противоположном отсоединению.

ПРОВЕРКА И УХОД

ПРЕДОСТЕРЕЖЕНИЯ

Обязательно отсоедините шланг при очистке заедания, проверке, уходе и очистке.

- 1. Проверьте магазин**
 - ① **ОТСОЕДИНИТЕ ВОЗДУШНЫЙ ШЛАНГ.**
 - ② Очистите магазин. Удалите остатки бумаги или деревянные опилки, которые могли накопиться в магазине. Смажьте его с помощью пневматического смазывающего инструмента НИКОКИ.
- 2. Проверьте крепёжные винты каждой части**
Постоянно проверяйте каждую деталь на предмет ослабления крепёжных винтов, а также вероятную утечку. Закрепляйте ослабленные винты. Работа инструментом с ослабленными винтами может привести к травмированию.
- 3. Проверка пускового рычага**
Проверьте, если пусковой рычаг легко двигается. Очищайте участок скольжения пускового рычага и время от времени пользуйтесь маслом для смазывания.
Смазка обеспечивает гладкое скольжение и одновременно служит для предохранения от образования ржавчины.
- 4. Хранение**
 - В случае длительного хранения, нанесите тонкий слой смазки на железные части с целью предотвращения ржавчины.
 - Не храните гвоздезабивной станок в холоде. Держите гвоздезабивной станок в тепле.

- Если гвоздезабивной станок не используется – храните его в тёплом, сухом месте. Держите его вдали от детей.

5. Порядок записей по техобслуживанию

- A: пункт №
- B: код №
- C: количество применений
- D: замечания

ПРЕДОСТЕРЕЖЕНИЯ

Ремонт, модификация и проверка электроинструментов НIKOKI должна проводиться только в авторизованных сервисных центрах НIKOKI. Данный список принесите в мастерскую вместе с инструментом для проведения ремонта или технического обслуживания. При использовании или техобслуживании инструмента всегда следите за выполнением всех правил и норм безопасности.

ЗАМЕЧАНИЕ

Фирма НIKOKI непрерывно работает над усовершенствованием своих изделий, поэтому мы сохраняем за собой право на внесение изменений в технические характеристики, упомянутые в данной инструкции по эксплуатации, без предупреждения об этом.

КОМПРЕССОР

ПРЕДОСТЕРЕЖЕНИЯ

Если рабочее давление воздушного компрессора превышает 8,3 бар, убедитесь в наличии регулирующего клапана между воздушным компрессором и гвоздезабивным станком. Потом, отрегулируйте давление воздуха в пределах рабочего диапазона 4,9 – 8,3 бар. Если воздушная компоновка установлена, смазывание также становится возможным, что гарантирует дополнительное удобство.

СМАЗЫВАЮЩИЙ-ФИЛЬТРАЦИОННЫЙ-РЕДУКЦИОННЫЙ КЛАПАН (Воздушная Компоновка)

С тем, чтобы это оборудование могло работать в оптимальных условиях и с целью увеличения срока службы, рекомендуется использовать смазывающе-фильтрационный редукционный клапан. Ограничьте длину шланга между инструментом и воздушной компоновкой до 10 м во время работы (См. Рис. 9).

ИСПОЛЬЗУЕМЫЕ ЛУБРИКАНТЫ

Тип лубриканта	Название лубриканта
Рекомендуемое масло	SHELL TONNA
Моторное масло	SAE10W, SAE20W
Турбинное масло	ISO VG32 – 68 (#90 – #180)

Информация по шуму

Величины шумовых характеристик соответствуют EN 792-13, июнь, 2000:

Типичный А-весомый единичный шумовой уровень силы $LWA,1s,d = 105 \text{ dB (A)}$
 Типичный А-весомый единичный шумовой исходящий уровень на рабочей станции $LpA,1s,d = 98 \text{ dB (A)}$

Погрешность КрА: 2,5 дБ (А)

Эти величины относятся к характеристикам инструмента и не представляют развитие звука во время использования. Развитие звука во время использования будет, к примеру, зависеть от окружающей среды работы, материала, опоры материала и количества забиваний и т.д.

В зависимости от состояния рабочего места и формы рабочего материала, возможно осуществление индивидуальных способов уменьшения шума, таких как расположение рабочего материала на звуковбиряющие подставки, предохраняющие вибрацию материала посредством фиксации или покрытия, настроив на минимальное давление необходимое для проведения данной работы и т.д.

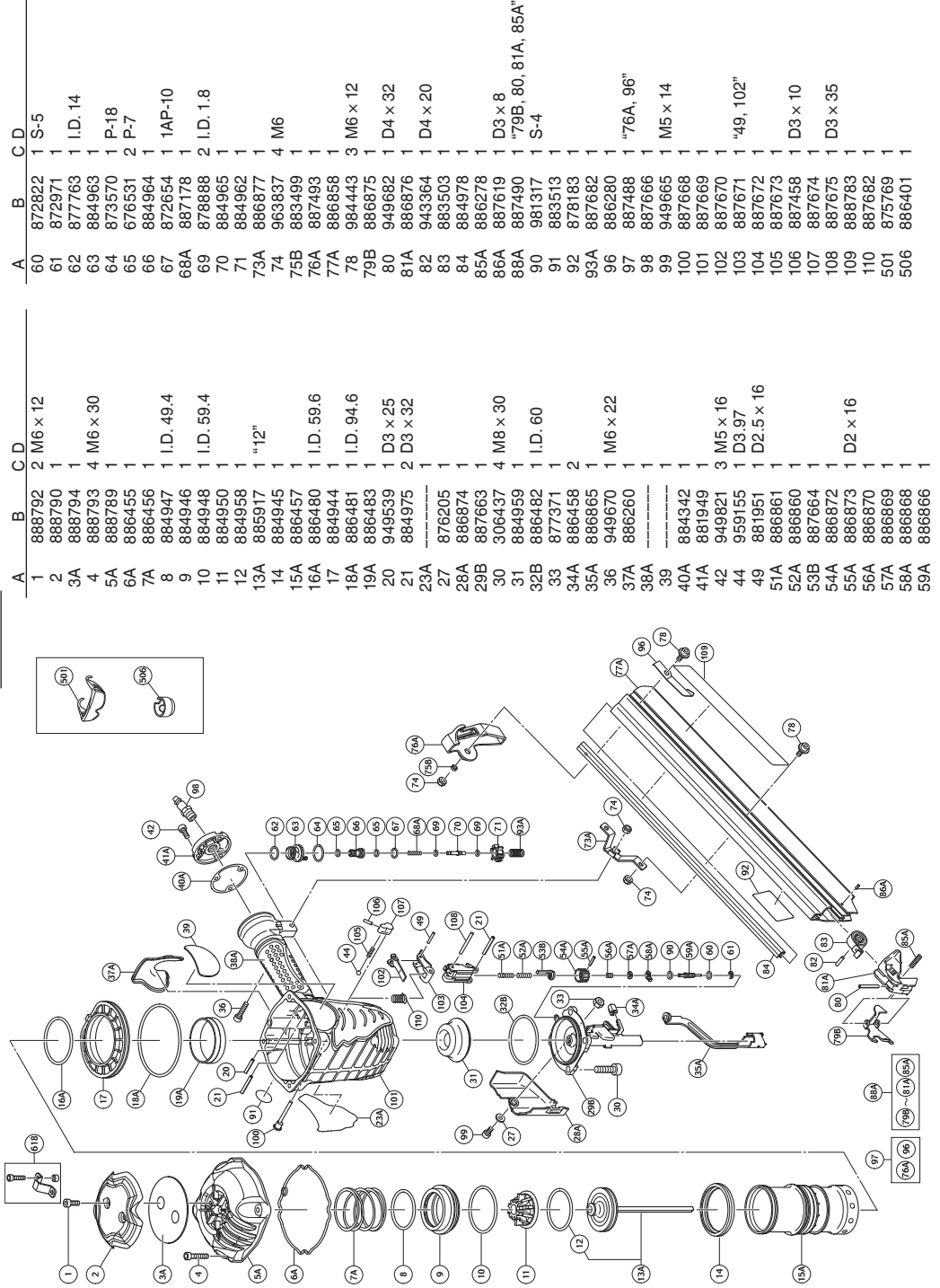
В особых случаях необходимо одеть защитные наушники.

Информация по вибрации

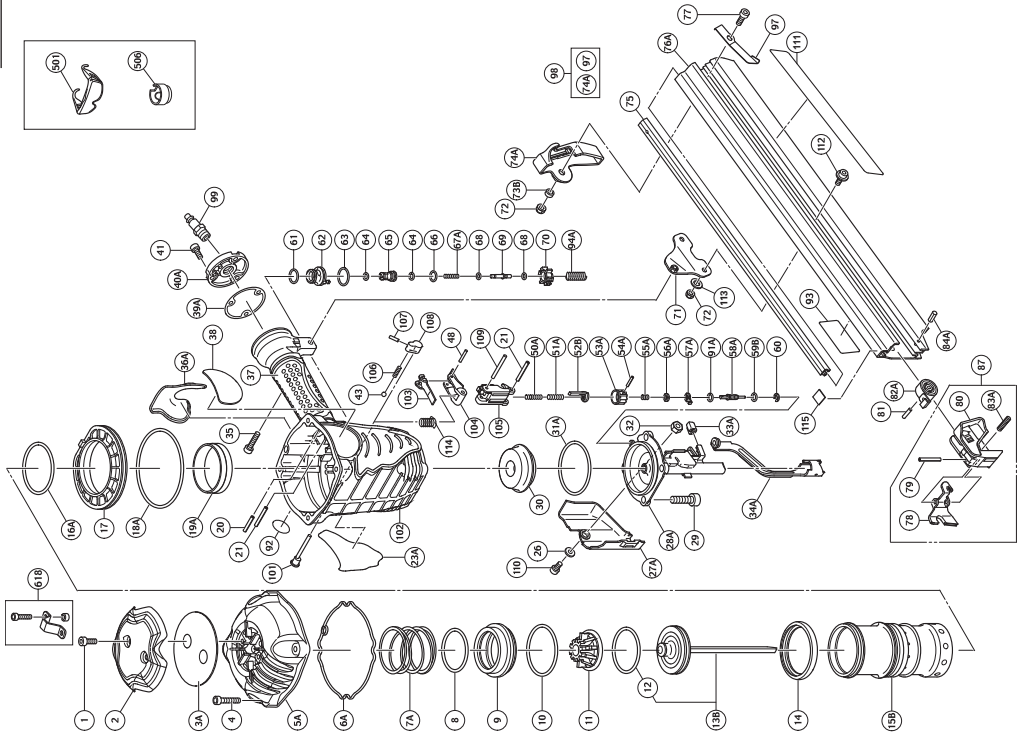
Типичные величины вибрационных характеристик соответствуют EN 792-13, июнь, 2000: 3,00 m/s² (NR90AD(S1)), 5,50 m/s² (NR90AE(S1))
 Погрешность К = 1,5 m/s²

Эти величины относятся к характеристикам инструмента и не представляют влияние на руки при использовании данного инструмента. Влияние на руки, при использовании инструмента будет зависеть, к примеру, от усилия захватывания, силы давления при контакте, направления работы, настройки подачи энергии, рабочего материала и подставки под материал.

NR90AD(S1)





NR90AE(S1)



A	B	C	D
1	888792	2	M6 x 12
2	888790	1	
3A	888794	1	
4	888793	4	M6 x 30
5A	888789	1	
6A	886455	1	
7A	886456	1	
8	884947	1	
9	884948	1	
10	884950	1	I.D. 59.4
11	884950	1	
12	884958	1	
13B	887491	1	"12"
14	884945	1	
15B	886457	1	
16A	886480	1	I.D. 59.6
17	884944	1	
18A	886481	1	I.D. 94.6
19A	886483	1	
20	949539	1	D3 x 25
21	884975	2	D3 x 32
23A	-----	1	
26	876205	1	
27A	886874	1	
28A	887676	1	
29	306437	4	M8 x 30
30	884959	1	
31A	886482	1	I.D. 60
32	877371	1	M5
33A	886458	2	
34A	886865	1	
35	949670	1	M6 x 22
36A	886260	1	
37	-----	1	
38	-----	1	
39A	884342	1	
40A	881949	1	
41	949821	3	M5 x 16
43	959155	1	D3,97
48	881951	1	D2.5 x 16
50A	886861	1	
51A	886860	1	
52B	887664	1	
53A	886872	1	
54A	886873	1	D2 x 16
55A	886870	1	
56A	886869	1	
57A	886868	1	
58A	886866	1	
59B	872822	1	S-5

A	B	C	D
60	872971	1	
61	877763	1	I.D. 14
62	884963	1	
63	873570	1	P-18
64	676531	2	P-7
65	884964	1	
66	872654	1	1AP-10
67A	887178	1	
68	878888	2	I.D. 1.8
69	884965	1	
70	884962	1	
71	888795	1	
72	888796	3	M6
73B	883499	1	
74A	883499	1	
75	885524	1	
76A	888786	1	
77	888797	2	M6 x 16
78	885526	1	
79	949547	1	D4 x 36
80	885527	2	
81	943364	1	D4 x 20
82A	888801	1	
83A	886278	1	
84A	887619	1	
87	885530	1	D3 x 8
91A	981317	1	"78-80, 83A"
92	893513	1	S-4
93	878183	1	
94A	887682	1	
97	886280	1	
98	887482	1	"74A, 97"
99	887666	1	
101	887668	1	
102	887669	1	
103	887670	1	
104	887671	1	
105	887672	1	"48, 103"
106	887673	1	
107	887458	1	D3 x 10
108	887674	1	
109	887675	1	D3 x 35
110	949665	1	M5 x 14
111	888784	1	
112	888803	2	M6 x 16
113	877402	2	
114	887682	1	
115	888800	1	
501	875769	1	
506	886401	1	

<p>English</p> <p>EC DECLARATION OF CONFORMITY</p> <p>We declare under our sole responsibility that Strip Nailer, identified by type and specific identification code *1), is in conformity with all relevant requirements of the directives *2) and standards *3). Technical file at *4) – See below.</p> <p>The European Standard Manager at the representative office in Europe is authorized to compile the technical file.</p> <p>The declaration is applicable to the product affixed CE marking.</p>	<p>Nederlands</p> <p>EC VERKLARING VAN CONFORMITEIT</p> <p>Wij verklaren onder onze eigen verantwoordelijkheid dat Stripspijkerapparaat, geïdentificeerd door het type en de specifieke identificatiecode*1), voldoet aan alle relevante bepalingen van de richtlijnen*2) en normen*3). Technische documentatie bij*4) – zie onder.</p> <p>De Europese Normen Manager bij de vertegenwoordiging in Europa is gemachtigd om het technisch dossier samen te stellen.</p> <p>Deze verklaring is van toepassing op producten voorzien van de CE-markeringen.</p>
<p>Deutsch</p> <p>EG-KONFORMITÄTSERLÄRUNG</p> <p>Wir erklären in alleiniger Verantwortung, dass der durch den Typ und den spezifischen Identifizierungscode *1) identifizierte Streifen-Nagler allen einschlägigen Bestimmungen der Richtlinien *2) und Normen *3) entspricht. Technische Unterlagen unter *4) – Siehe unten.</p> <p>Die Leitung der repräsentativen Behörde für europäische Normen und Richtlinien ist berechtigt, die technischen Unterlagen zusammenzustellen.</p> <p>Die Erklärung gilt für die an dem Produkt angebrachte CE-Kennzeichnung.</p>	<p>Español</p> <p>DECLARACIÓN DE CONFORMIDAD DE LA CE</p> <p>Declaramos bajo nuestra única responsabilidad que la Clavadora para strips, identificada por tipo y por código de identificación específico *1), está en conformidad con todas las disposiciones correspondientes de las directivas *2) y de las normas *3). Documentación técnica en *4) – Ver a continuación.</p> <p>El Director de Normas Europeas en la oficina de representación en Europa está autorizado para elaborar el expediente técnico.</p> <p>La declaración se aplica al producto con marcas de la CE.</p>
<p>Français</p> <p>DECLARATION DE CONFORMITE CE</p> <p>Nous déclarons sous notre entière responsabilité que le Cloueur pour strips, identifié par le type et le code d'identification spécifique *1) est en conformité avec toutes les exigences applicables des directives *2) et des normes *3). Dossier technique en *4) - Voir ci-dessous.</p> <p>Le Gestionnaire des normes européennes du bureau de représentation en Europe est autorisé à constituer le dossier technique.</p> <p>Cette déclaration s'applique aux produits désignés CE.</p>	<p>Suomi</p> <p>EY-ILMOITUS YHDENMUKAISUUDESTA</p> <p>Vakuutamme yksinomaaisella vastuullamme, että runkonaulain, joka identifioidaan tyypiin ja erityisen tunnistuskoodin *1) perusteella, on kaikkien direktiivien *2) ja standardien *3) asiaankuuluvien vaatimusten mukainen. Tekninen tiedosto kohdassa *4) – katso alta.</p> <p>Eurooppalaisten standardien hallintaelin Euroopan edustustossa on valtuutettu kokoamaan teknisen tiedoston.</p> <p>Ilmoitus on sovellettavissa tuotteeseen kiinnitettyyn CE-merkintään.</p>
<p>Italiano</p> <p>DICHIARAZIONE DI CONFORMITÀ CE</p> <p>Dichiariamo sotto la nostra esclusiva responsabilità che la chiodatrice a stecca, identificata dal tipo e dal codice identificativo specifico *1), è conforme a tutti i requisiti pertinenti delle direttive *2) e degli standard *3). Documentazione tecnica presso *4) – Vedere sotto.</p> <p>Il gestore delle norme europee presso l'ufficio di rappresentanza in Europa è autorizzato a compilare il fascicolo tecnico.</p> <p>La dichiarazione è applicabile ai prodotti cui sono applicati i marchi CE.</p>	<p>Русский</p> <p>ДЕКЛАРАЦИЯ СООТВЕТСТВИЯ ЕС</p> <p>Мы с полной ответственностью заявляем, что нейлер, идентифицируемый по типу и соответствующему идентификационному коду *1), отвечает всем соответствующим требованиям директив *2) и стандартов *3). Техническая документация в *4) – см. ниже.</p> <p>Менеджер по европейским стандартам в представительстве в Европе уполномочен составлять техническую документацию.</p> <p>Данная декларация относится к изделиям, на которых имеется маркировка CE.</p>
<p>*1) NR90AE(S1) C351591B NR90AD(S1) C351593B</p> <p>*2) 2006/42/EC</p> <p>*3) EN792-13:2000+A1:2008</p>	
<p>*4) Representative office in Europe Hikoki Power Tools Deutschland GmbH Siemensring 34, 47877 Willich, Germany</p> <p>Head office in Japan Koki Holdings Co., Ltd. Shinagawa Intercity Tower A, 15-1, Konan 2-chome, Minato-ku, Tokyo, Japan</p> <p>29. 6. 2018 Naoto Yamashiro European Standard Manager</p> <p> 29. 6. 2018  A. Nakagawa Corporate Officer</p>	

Koki Holdings Co., Ltd.