

HIKOKI

**Heat Gun
Heißluft Gebläse
Décapeur thermique
Termosoffiatore
Hetelucht pistool
Decapador de aire caliente
Soprador de ar quente**

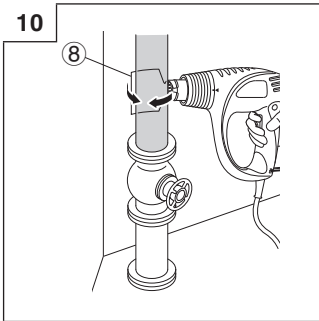
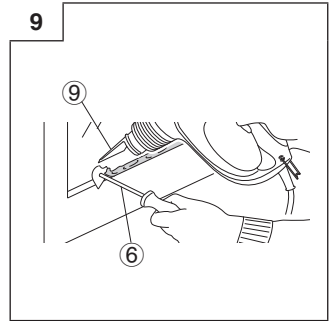
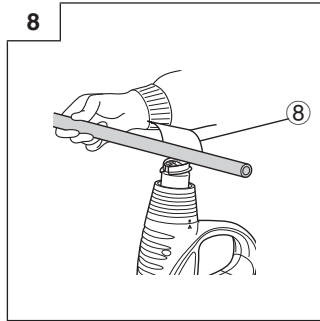
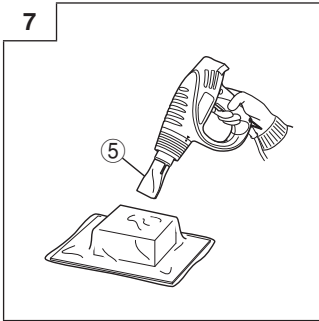
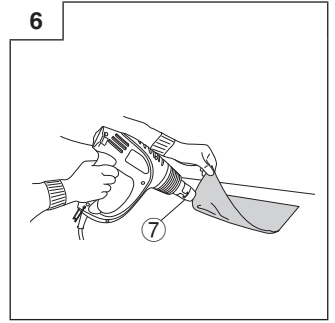
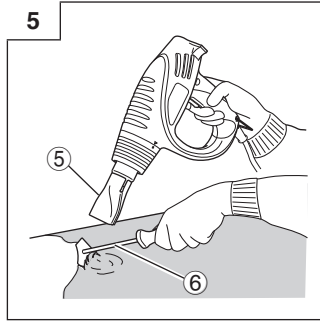
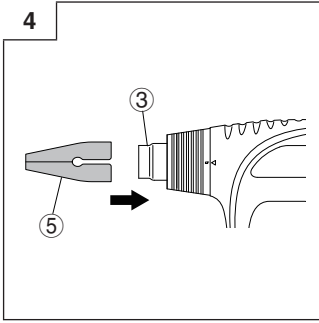
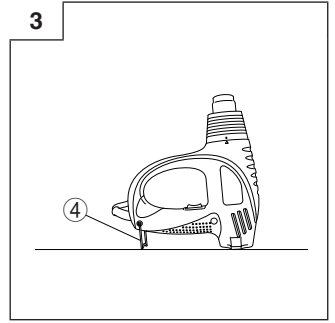
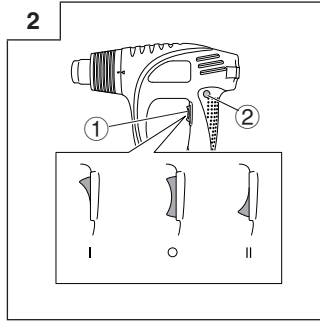
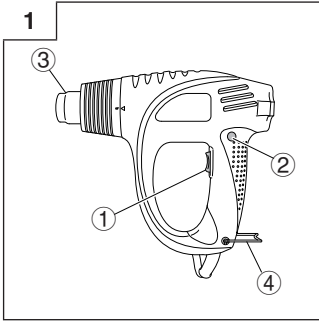
RH 600T



Read through carefully and understand these instructions before use.
Diese Anleitung vor Benutzung des Werkzeugs sorgfältig durchlesen und verstehen.
Lire soigneusement et bien assimiler ces instructions avant usage.
Prima dell'uso leggere attentamente e comprendere queste istruzioni.
Deze gebruiksaanwijzing s.v.p. voor gebruik zorgvuldig doorlezen.
Leer cuidadosamente y comprender estas instrucciones antes del uso.
Antes de usar, leia com cuidado para assimilar estas instruções.



**Handling instructions
Bedienungsanleitung
Mode d'emploi
Istruzioni per l'uso
Gebruiksaanwijzing
Instrucciones de manejo
Instruções de uso**



	English	Deutsch	Français	Italiano
①	Switch	Schalter	Interrupteur	Interruttore
②	Quick cooling button	Schnellkühlungsknopf	Bouton de refroidissement rapide	Pulsante di raffreddamento rapido
③	Hot wind release nozzle	Heißluftdüse	Buse à air chaud	Ugello di uscita aria calda
④	Hook	Haken	Crochet	Gancio
⑤	Nozzle (Plane)	Düse (Flach)	Buse (plate)	Ugello (piatto)
⑥	Scraper	Schaber	Racloir	Raschietto
⑦	Nozzle (Round)	Düse (Rund)	Buse (Ronde)	Ugello (Tondo)
⑧	Nozzle (Curved surface)	Düse (gebogene Fläche)	Buse (surface incurvée)	Ugello (superficie curva)
⑨	Nozzle (Glass protector)	Düse (Glasschutz)	Buse (protection en verre)	Ugello (protezione vetro)

	Nederlands	Español	Português
①	Schakelaar	Interruptor	Interruptor
②	Snelafkoelknop	Botón de enfriamiento rápido	Botão de arrefecimento rápido
③	Heteluchtuitgang	Boquilla de emisión de aire caliente	Bico de libertação de ar quente
④	Haak	Gancho	Gancho
⑤	Mondstuk (vlak)	Boquilla (Plana)	Bico (Plano)
⑥	Schraper	Raspador	Raspador
⑦	Mondstuk (Rond)	Boquilla (Redonda)	Bico (Redondo)
⑧	Mondstuk (gebogen oppervlak)	Boquilla (Superficie curva)	Bico (Superficie curva)
⑨	Mondstuk (glasbeschermer)	Boquilla (Protector de cristal)	Bico (Protector de vidro)

English

Standard accessories are subject to change by area.
Standard accessories are subject to change without notice.

Deutsch

Das Standardzubehör kann je nach Gebiet verschieden sein.
Das Standardzubehör kann ohne vorherige Bekanntmachung jederzeit geändert werden.

Français

Les accessoires standards sont sujets à changement par zone.
Les accessoires standard sont sujets à changement sans préavis.

Italiano

Gli accessori standard sono soggetti a modifiche per zona.
Gli accessori standard possono essere cambiati senza preavviso.

Nederlands





De standaard toebehoren kunnen afhankelijk van het gebied verschillen.
De standaard toebehoren kunnen zonder nadere aankondiging gewijzigd worden.

Español

Los accesorios estándar están sujetos a cambio por área.
Los accesorios estándar están sujetos a cambio sin previo aviso.

Português

Os acessórios-padrão estão sujeitos a mudanças por área.
Os acessórios-padrão estão sujeitos a mudanças sem aviso prévio.

	<p>Symbols ⚠ WARNING The following show symbols used for the machine. Be sure that you understand their meaning before use.</p>	<p>Symbole ⚠ WARNUNG Die folgenden Symbole werden für diese Maschine verwendet. Achten Sie darauf, diese vor der Verwendung zu verstehen.</p>	<p>Symboles ⚠ AVERTISSEMENT Les symboles suivants sont utilisés pour l'outil. Bien se familiariser avec leur signification avant d'utiliser l'outil.</p>	<p>Simboli ⚠ AVVERTENZA Di seguito mostriamo i simboli usati per la macchina. Assicurarsi di comprenderne il significato prima dell'uso.</p>
	<p>Read all safety warnings and all instructions. Failure to follow the warnings and instructions may result in electric shock, fire and/or serious injury.</p>	<p>Lesen Sie sämtliche Sicherheitshinweise und Anweisungen durch. Wenn die Warnungen und Anweisungen nicht befolgt werden, kann es zu Stromschlag, Brand und/oder ernsthaften Verletzungen kommen.</p>	<p>Lire tous les avertissements de sécurité et toutes les instructions. Tout manquement à observer ces avertissements et instructions peut engendrer des chocs électriques, des incendies et/ou des blessures graves.</p>	<p>Leggere tutti gli avvertimenti di sicurezza e tutte le istruzioni. La mancata osservanza degli avvertimenti e delle istruzioni potrebbe essere causa di scosse elettriche, incendi e/o gravi lesioni.</p>
	<p>Only for EU countries Do not dispose of electric tools together with household waste material! In observance of European Directive 2002/96/EC on waste electrical and electronic equipment and its implementation in accordance with national law, electric tools that have reached the end of their life must be collected separately and returned to an environmentally compatible recycling facility.</p>	<p>Nur für EU-Länder Werfen Sie Elektrowerkzeuge nicht in den Hausmüll! Gemäss Europäischer Richtlinie 2002/96/EG über Elektro- und Elektronik-Altgeräte und Umsetzung in nationales Recht müssen verbrauchte Elektrowerkzeuge getrennt gesammelt und einer umweltgerechten Wiederverwertung zugeführt werden.</p>	<p>Pour les pays européens uniquement Ne pas jeter les appareils électriques dans les ordures ménagères! Conformément à la directive européenne 2002/96/EG relative aux déchets d'équipements électriques ou électroniques (DEEE), et à sa transposition dans la législation nationale, les appareils électriques doivent être collectés à part et être soumis à un recyclage respectueux de l'environnement.</p>	<p>Solo per Paesi UE Non gettare le apparecchiature elettriche tra i rifiuti domestici. Secondo la Direttiva Europea 2002/96/CE sui rifiuti di apparecchiature elettriche ed elettroniche e la sua attuazione in conformità alle norme nazionali, le apparecchiature elettriche esauste devono essere raccolte separatamente, al fine di essere reimpiegate in modo eco-compatibile.</p>
	<p>Symbolen ⚠ WAARSCHUWING Hieronder staan symbolen afgebeeld die van toepassing zijn op deze machine. U moet de betekenis hiervan begrijpen voor gebruik.</p>	<p>Símbolos ⚠ ADVERTENCIA A continuación se muestran los símbolos usados para la máquina. Asegúrese de comprender su significado antes del uso.</p>	<p>Símbolos ⚠ AVISO A seguir aparecem os símbolos utilizados pela máquina. Assimile bem seus significados antes do uso.</p>	
	<p>Lees alle waarschuwingen en instructies aandachtig door. Nalating om de waarschuwingen en instructies op te volgen kan in een elektrische schok, brand en/of ernstig letsel resulteren.</p>	<p>Lea todas las instrucciones y advertencias de seguridad. Si no se siguen las advertencias e instrucciones, podría producirse una descarga eléctrica, un incendio y/o daños graves.</p>	<p>Leia todas as instruções e avisos de segurança. Se não seguir todas as instruções e os avisos, pode provocar um choque eléctrico, incêndio e/ou ferimentos graves.</p>	
	<p>Alleen voor EU-landen Geef elektrisch gereedschap niet met het huisvuil mee! Volgens de Europese richtlijn 2002/96/EG inzake oude elektrische en elektronische apparaten en de toepassing daarvan binnen de nationale wetgeving, dient gebruikt elektrisch gereedschap gescheiden te worden ingezameld en te worden afgevoerd naar een recycle bedrijf dat voldoet aan de geldende milieueisen.</p>	<p>Sólo para países de la Unión Europea ¡No deseché los aparatos eléctricos junto con los residuos domésticos! De conformidad con la Directiva Europea 2002/96/CE sobre residuos de aparatos eléctricos y electrónicos y su aplicación de acuerdo con la legislación nacional, las herramientas eléctricas cuya vida útil haya llegado a su fin se deberán recoger por separado y trasladar a una planta de reciclaje que cumpla con las exigencias ecológicas.</p>	<p>Apenas para países da UE Não deite ferramentas eléctricas no lixo doméstico! De acordo com a directiva europeia 2002/96/CE sobre ferramentas eléctricas e electrónicas usadas e a transposição para as leis nacionais, as ferramentas eléctricas usadas devem ser recolhidas em separado e encaminhadas a uma instalação de reciclagem dos materiais ecológica.</p>	

GENERAL POWER TOOL SAFETY WARNINGS**⚠ WARNING**

Read all safety warnings and all instructions.

Failure to follow the warnings and instructions may result in electric shock, fire and/or serious injury.

Save all warnings and instructions for future reference.

The term "power tool" in the warnings refers to your mains-operated (corded) power tool or battery-operated (cordless) power tool.

1) Work area safety

- a) **Keep work area clean and well lit.**
Cluttered or dark areas invite accidents.
- b) **Do not operate power tools in explosive atmospheres, such as in the presence of flammable liquids, gases or dust.**
Power tools create sparks which may ignite the dust or fumes.
- c) **Keep children and bystanders away while operating a power tool.**
Distractions can cause you to lose control.

2) Electrical safety

- a) **Power tool plugs must match the outlet. Never modify the plug in any way. Do not use any adapter plugs with earthed (grounded) power tools.**
Unmodified plugs and matching outlets will reduce risk of electric shock.
- b) **Avoid body contact with earthed or grounded surfaces, such as pipes, radiators, ranges and refrigerators.**
There is an increased risk of electric shock if your body is earthed or grounded.
- c) **Do not expose power tools to rain or wet conditions.**
Water entering a power tool will increase the risk of electric shock.
- d) **Do not abuse the cord. Never use the cord for carrying, pulling or unplugging the power tool. Keep cord away from heat, oil, sharp edges or moving parts.**
Damaged or entangled cords increase the risk of electric shock.
- e) **When operating a power tool outdoors, use an extension cord suitable for outdoor use.**
Use of a cord suitable for outdoor use reduces the risk of electric shock.
- f) **If operating a power tool in a damp location is unavoidable, use a residual current device (RCD) protected supply.**
Use of an RCD reduces the risk of electric shock.

3) Personal safety

- a) **Stay alert, watch what you are doing and use common sense when operating a power tool. Do not use a power tool while you are tired or under the influence of drugs, alcohol or medication.**
A moment of inattention while operating power tools may result in serious personal injury.
- b) **Use personal protective equipment. Always wear eye protection.**
Protective equipment such as dust mask, non-skid safety shoes, hard hat, or hearing protection used for appropriate conditions will reduce personal injuries.

- c) **Prevent unintentional starting. Ensure the switch is in the off position before connecting to power source and/or battery pack, picking up or carrying the tool.**

Carrying power tools with your finger on the switch or energising power tools that have the switch on invites accidents.

- d) **Remove any adjusting key or wrench before turning the power tool on.**

A wrench or a key left attached to a rotating part of the power tool may result in personal injury.

- e) **Do not overreach. Keep proper footing and balance at all times.**

This enables better control of the power tool in unexpected situations.

- f) **Dress properly. Do not wear loose clothing or jewellery. Keep your hair, clothing and gloves away from moving parts.**

Loose clothes, jewellery or long hair can be caught in moving parts.

- g) **If devices are provided for the connection of dust extraction and collection facilities, ensure these are connected and properly used.**

Use of dust collection can reduce dust related hazards.

4) Power tool use and care

- a) **Do not force the power tool. Use the correct power tool for your application.**

The correct power tool will do the job better and safer at the rate for which it was designed.

- b) **Do not use the power tool if the switch does not turn it on and off.**

Any power tool that cannot be controlled with the switch is dangerous and must be repaired.

- c) **Disconnect the plug from the power source and/or the battery pack from the power tool before making any adjustments, changing accessories, or storing power tools.**

Such preventive safety measures reduce the risk of starting the power tool accidentally.

- d) **Store idle power tools out of the reach of children and do not allow persons unfamiliar with the power tool or these instructions to operate the power tool.**

Power tools are dangerous in the hands of untrained users.

- e) **Maintain power tools. Check for misalignment or binding of moving parts, breakage of parts and any other condition that may affect the power tools' operation.**

If damaged, have the power tool repaired before use.

Many accidents are caused by poorly maintained power tools.

- f) **Keep cutting tools sharp and clean.**

Properly maintained cutting tools with sharp cutting edges are less likely to bind and are easier to control.

- g) **Use the power tool, accessories and tool bits etc. in accordance with these instructions, taking into account the working conditions and the work to be performed.**

Use of the power tool for operations different from those intended could result in a hazardous situation.

5) Service

- a) **Have your power tool serviced by a qualified repair person using only identical replacement parts.**

This will ensure that the safety of the power tool is maintained.

PRECAUTION

Keep children and infirm persons away.
When not in use, tools should be stored out of reach of children and infirm persons.

HEAT GUN SAFETY WARNINGS

WARNING

- This tool is not intended for use by persons (including children) with reduced physical, sensory or mental capabilities, or lack of experience and knowledge, unless they have been given supervision or instruction concerning use of the tool by a person responsible for their safety.
- Children should be supervised to ensure that they do not play with the tool.
- A fire may arise if the tool is not used with care, therefore: Be careful when using the tool in places where there are combustible materials.
Do not apply to the same place for a long time.
Do not use in presence of an explosive atmosphere.
Be aware that heat may be conducted to combustible materials which are out of sight.
Place on its stand after use and follow to cool before storage.
Do not leave the tool unattended when in use.
- Do not use the tool or touch the power plug with wet hands.
Failure to observe this may result in electric shocks.
- Always check the work area prior to use, and do not use the tool if safety cannot be guaranteed.
Failure to observe this may result in inflammable articles concealed in or behind invisible areas (cases, ceilings, floors, hollow areas) being ignited.
- Do not stand underneath when using the tool in elevated locations.
Also, do not catch the power cord on anything, or allow it to be pulled.
Failure to observe this may result in accidents.
- Do not point the hot wind directly at people or animals. Do not look into the nozzle. Do not use it as a hair dryer under any circumstances.
Failure to observe this may result in accidents or injury.
- There are cases in which highly toxic gas will be emitted if used on plastic, lacquer or similar materials.
Always ensure that the work area is fully ventilated, and wear a dust-protection mask.

- Apply heat gently while moving the Heat Gun up, down, left and right.
Aiming it constantly at a single location may result in the outbreak of smoke or fire.
- Check the tool for damage, cracks or malformation in the event of it being accidentally dropped or subject to impact.
Damage, cracks and malformation may result in injury.
- Cease operations immediately in the event of the tool not operating properly or if abnormal noises or vibrations are noticed, and contact a HiKOKI Authorized Service Center to request inspections and repairs.
Continued use may result in injury.
- Do not get away from the unit while it is switched on.
Failure to observe this may result in accidents.
- If during use, electricity is interrupted, (e.g. the power plug came out, the breaker fell, a blackout occurred...) and the heat gun fan has stopped, please put the switch in OFF position. If the switch is left in ON position when power resumes, the restart of the fan may cause fire.

CAUTION

- Parts of the nozzle supplied are sharp, so use gloves when removing them from the case and when attaching or detaching them.
- The hot wind release nozzle, the tip of the nozzle and the material that was heated are extremely hot during and immediately after using the tool, so use gloves and avoid touching them directly.
- Do not use inside boxes, drawers or other enclosed spaces.
Aiming it constantly at a single location may result in the outbreak of smoke or fire.
- Make sure the nozzle is at least 5cm away from the item being heated when using the tool. Also, do not cover or otherwise block the nozzle.
Failure to observe this may result in the Heat Gun overheating, leading to malfunctions.
- Do not switch the tool on and off repeatedly. Also, do not use the tool with the power cord folded or twisted.
Failure to observe this may result in malfunctions.
- Do not point the heat-wind release nozzle downwards immediately after use.
Failure to observe this may result in the tool overheating, leading to malfunctions.

SPECIFICATIONS

Power supply	Type	Can be used with both 50 Hz and 60 Hz single-phase current.		
	Voltage	110 V	120 V to 127 V	220 V to 240 V
	Rated electrical current	12.9 A	12.2 A	8.8 A
Power Input		1375 W	1500 W	2000 W
Capacity	Wind volume	0.25 m ³ /min to 0.5 m ³ /min (2-stage switch)		
	Wind temperature	250 – 500°C 2-stage switch 50°C (When the cooling button is used.)	350 – 500°C 2-stage switch 50°C (When the cooling button is used.)	450 – 600°C 2-stage switch 50°C (When the cooling button is used.)
Motor type		Direct current motor		
Weight		0.57 Kg		

STANDARD ACCESSORIES

① Nozzle (round).....	1
② Nozzle (flat).....	1
③ Nozzle (curved surface).....	1
④ Nozzle (glass protector).....	1
⑤ Scraper (with grip).....	1
⑥ Case.....	1

Standard accessories are subject to change by area.
Standard accessories are subject to change without notice.

APPLICATIONS

- Peeling off paint
- Softening adhesive
- Removing putty from window frames
- Forming resin pipes
- Welding plastic
- Heat wrapping using heat-shrink film.
- Soldering
- Drying work
- Defrosting work

PRIOR TO OPERATION

1. Power source

Ensure that the power source to be utilized conforms to the power requirements specified on the product nameplate.

2. Power switch

Ensure that the power switch is in the OFF position. If the plug is connected to a receptacle while the power switch is in the ON position, the power tool will start operating immediately, which could cause a serious accident.

3. Extension cord

When the work area is removed from the power source, use an extension cord of sufficient thickness and rated capacity. The extension cord should be kept as short as practicable.

BASIC FUNCTIONS

1. Switch Operations and Temperature Adjustments (Fig. 1, 2)

Press the switch upward or downward to enable continual operations even when your finger is removed. Press the protrusion lightly to return the switch to the central position and turn off the power.

The wind temperature and wind volume can be adjusted in two stages depending on which way the switch is set.

Switch [I] position:

- 110 V: 250°C (wind volume 0.25 m³)
- 120 V to 127 V: 350°C (wind volume 0.25 m³)
- 220 V to 240 V: 350°C (wind volume 0.25 m³)

Switch [II] position:

- 110 V to 127 V: 500°C (wind volume 0.5 m³)
- 220 V to 240 V: 600°C (wind volume 0.5 m³)

Press the quick cooling button and press the switch to blow warm air at approximately 50 degrees Celsius for each of the switch's wind volumes.

This is used to quickly cool material that is heat-warping and to cool the nozzle when it reaches high temperatures after using the tool.

2. Using the Hook (Fig. 3)

CAUTION

- When pointing the tool upward to work, make sure that it is placed on a stable block that does not tilt.
- Do not hang the tool from your wrist or waist when moving around with the nozzle still hot.

Support the tool firmly when pointing the heat-wind release nozzle upward.

Also, it is possible to suspend the tool from a wrist, etc., with a cord to prevent it from being dropped when working in high locations, etc.

3. Attaching the Nozzle (Fig. 4)

CAUTION

The nozzle is extremely hot immediately after use, so do not touch it.

NOTE

Make sure you do not drop the nozzle.

Replace the nozzle for a type that is suited to the job in hand. Insert the nozzle supplied firmly into the hot wind release nozzle until it can go no further.

4. Temperature Settings

WARNING

- Do not use the tool in the vicinity of volatile substances (thinner, gasoline, etc.)
- Do not bring the hot wind release nozzle in close contact with your hands or face during use. The nozzle is extremely hot immediately after use, so do not touch it.

Set the temperature in consideration of the article to be heated.

Also, pay attention to the surrounding material that will be heated at the same time.

First of all, apply the hot wind from a distance while checking that there are no changes in the article being heated, and then move it closer until it reaches an appropriate distance.

Heating inflammable substances (paper, wood, plastic, etc.)

Set the switch to the [I] position and apply the heat with the nozzle at least 10cm away from the article being heated.

Gently move the tip of the nozzle up, down, left and right to apply the heat.

Applying heat constantly to one location may result in malformation or the outbreak of smoke.

Heating non-flammable substances (metal, stone, concrete, etc.)

Set the switch to the [I] position, and if there are no problems, move it to the [II] position.

Apply the heat with the nozzle at least 5cm away from the article being heated.

Holding the nozzle too close may result in the tool overheating, leading to malfunctions.

WORK EXAMPLE

CAUTION

Parts of the nozzles supplied are sharp, so use gloves when removing them from the case and when attaching or detaching them.

Select the nozzle in consideration of the shape of the article being heated and the area being heated.

1. Peeling off paint (Fig. 5)

Use nozzle (flat) or nozzle (round) to soften the paint with the hot wind, and then remove it with the scraper supplied.

Note that heating the paint too much may result in it scorching and becoming harder, making it difficult to scrape off.

2. Softening adhesive (Fig. 6)

Use nozzle (flat) or nozzle (round) to soften the surface and make it easy to peel, and then pull up one of the edges, blow heat underneath it and gently peel it off so that none of the adhesive remains.

3. Heat wrapping (Fig. 7)

Use nozzle (flat) to heat-wrap shrink film and tubes. The material will change color or crack if hot air is blown onto it from a close distance, so maintain an appropriate distance while monitoring progress.

4. Forming resin pipes (Fig. 8)

Use nozzle (curved surface) to evenly heat the circumference of the resin pipe.

To prevent the inside of the pipe from narrowing when bending it, etc., pour sand inside, block both ends and then gently bend it.

5. Removing putty from window frames (Fig. 9)

Use nozzle (glass protector) to soften the putty with heat, and then remove the putty with the scraper supplied.

Note that glass may crack if heat is continually applied to it.

6. Defrosting water pipes (Fig. 10)

Use nozzle (curved surface) to heat the frozen area from the edge to the center. Do not mistake water pipes for glass pipes.

Take care to avoid damaging frozen resin areas on water pipes.

[Effectively Using the Quick Cooling Button]

Press the quick cooling button and press the switch to blow warm air at approximately 50 degrees Celsius for each of the switch's wind volumes.

This is used to quickly cool material that is heat-warping and to cool the nozzle when it reaches high temperatures after using the Heat Gun.

MAINTENANCE AND INSPECTION

1. Inspecting the mounting screws

Regularly inspect all mounting screws and ensure that they are properly tightened. Should any of the screws be loose, retighten them immediately. Failure to do so could result in serious hazard.

2. Maintenance of the motor

The motor unit winding is the very "heart" of the power tool.

Prevent any foreign objects, oil or water from getting inside the intake.

3. Replacing supply cord

If the replacement of the supply cord is necessary, this has to be done by HiKOKI Authorized Service Center in order to avoid a safety hazard.

4. Cleaning of the outside

When the tool is stained, wipe with a soft dry cloth or a cloth moistened with soapy water. Do not use chloric solvents, gasoline or paint thinner, as they melt plastics.

5. Service parts list

CAUTION

Repair, modification and inspection of HiKOKI Power Tools must be carried out by a HiKOKI Authorized Service Center.

This Parts List will be helpful if presented with the tool to the HiKOKI Authorized Service Center when requesting repair or other maintenance.

In the operation and maintenance of power tools, the safety regulations and standards prescribed in each country must be observed.

MODIFICATIONS

HiKOKI Power Tools are constantly being improved and modified to incorporate the latest technological advancements.

Accordingly, some parts may be changed without prior notice.

GUARANTEE

We guarantee HiKOKI Power Tools in accordance with statutory/country specific regulation. This guarantee does not cover defects or damage due to misuse, abuse, or normal wear and tear. In case of complaint, please send the Power Tool, undismantled, with the GUARANTEE CERTIFICATE found at the end of this Handling instruction, to a HiKOKI Authorized Service Center.

NOTE

Due to HiKOKI's continuing program of research and development, the specifications herein are subject to change without prior notice.

IMPORTANT:

Correct connection of the plug

The wires of the main lead and coloured in accordance with the following code:

Blue: -Neutral

Brown: -Live

As the colours of the wires in the main lead of this tool may not correspond with the coloured markings identifying the terminals in your plug proceed as follows:

The wire coloured blue must be connected to the terminal marked with the letter N or coloured black.

The wire coloured brown must be connected to the terminal marked with the letter L or coloured red.

Neither core must be connected to the earth terminal.

NOTE:

This requirement is provided according to BRITISH STANDARD 2769: 1984.

Therefore, the letter code and colour code may not be applicable to other markets except The United Kingdom.

ALLGEMEINE SICHERHEITSHINWEISE FÜR ELEKTROGERÄTE

⚠ WARNUNG

Lesen Sie sämtliche Sicherheitshinweise und Anweisungen durch.

Wenn die Warnungen und Anweisungen nicht befolgt werden, kann es zu Stromschlag, Brand und/oder ernsthaften Verletzungen kommen.

Bitte bewahren Sie alle Warnhinweise und Anweisungen zum späteren Nachschlagen auf.

Der Begriff „Elektrowerkzeug“ bezieht sich in den Warnhinweisen auf Elektrowerkzeuge mit Netz- (schnurgebunden) oder Akkubetrieb (schnurlos).

1) Sicherheit im Arbeitsbereich

a) Sorgen Sie für einen sauberen und gut ausgeleuchteten Arbeitsbereich.

Zugestellte oder dunkle Bereiche ziehen Unfälle förmlich an.

b) Verwenden Sie Elektrowerkzeuge niemals an Orten, an denen Explosionsgefahr besteht – zum Beispiel in der Nähe von leicht entflammaren Flüssigkeiten, Gasen oder Stäuben.

Bei der Arbeit mit Elektrowerkzeugen kann es zu Funkenbildung kommen, wodurch sich Stäube oder Dämpfe entzünden können.

c) Sorgen Sie bei der Arbeit mit Elektrowerkzeugen dafür, dass sich keine Zuschauer (insbesondere Kinder) in der Nähe befinden.

Wenn Sie abgelenkt werden, können Sie die Kontrolle über das Werkzeug verlieren.

2) Elektrische Sicherheit

a) Elektrowerkzeuge müssen mit passender Stromversorgung betrieben werden.

Nehmen Sie niemals irgendwelche Änderungen am Anschlussstecker vor.

Verwenden Sie bei Elektrowerkzeugen mit Schutzkontakt (geerdet) niemals Adapterstecker.

Stecker im Originalzustand und passende Steckdosen reduzieren das Stromschlagrisiko.

b) Vermeiden Sie Körperkontakt mit geerdeten Gegenständen wie Rohrleitungen, Heizungen, Herden oder Kühlschränken.

Bei Körperkontakt mit geerdeten Gegenständen besteht ein erhöhtes Stromschlagrisiko.

c) Setzen Sie Elektrowerkzeuge niemals Regen oder sonstiger Feuchtigkeit aus.

Wenn Flüssigkeiten in ein Elektrowerkzeug eindringen, erhöht sich das Stromschlagrisiko.

d) Verwenden Sie das Anschlusskabel nicht missbräuchlich. Tragen Sie das Elektrowerkzeug niemals an der Anschlusschnur, ziehen Sie es nicht damit heran und ziehen Sie den Stecker nicht an der Anschlusschnur aus der Steckdose.

Halten Sie die Anschlusschnur von Hitzequellen, Öl, scharfen Kanten und beweglichen Teilen fern.
Beschädigte oder verdrehte Anschlusschnüre erhöhen das Stromschlagrisiko.

e) Wenn Sie ein Elektrowerkzeug im Freien benutzen, verwenden Sie ein für den Außeneinsatz geeignetes Verlängerungskabel.

Ein für den Außeneinsatz geeignetes Kabel vermindert das Stromschlagrisiko.

f) Falls sich der Betrieb des Elektrowerkzeuges in feuchter Umgebung nicht vermeiden lässt, verwenden Sie eine Stromversorgung mit Fehlerstromschutzeinrichtung (Residual Current Device, RCD).

Durch den Einsatz einer Fehlerstromschutzeinrichtung wird das Risiko eines elektrischen Schlages reduziert.

3) Persönliche Sicherheit

a) Bleiben Sie wachsam, achten Sie auf das, was Sie tun, und setzen Sie Ihren Verstand ein, wenn Sie mit Elektrowerkzeugen arbeiten.

Benutzen Sie keine Elektrowerkzeuge, wenn Sie müde sind oder unter Einfluss von Drogen, Alkohol oder Medikamenten stehen.

Bei der Arbeit mit Elektrowerkzeugen können bereits kurze Phasen der Unaufmerksamkeit zu schweren Verletzungen führen.

b) Benutzen Sie eine persönliche Schutzausrüstung. Tragen Sie immer einen Augenschutz.

Schutzausrüstung wie Staubmaske, rutschsichere Sicherheitsschuhe, Schutzhelm und Gehörschutz senken das Verletzungsrisiko bei angemessenem Einsatz.

c) Vermeiden Sie unbeabsichtigtes Einschalten. Achten Sie darauf, dass sich der Schalter in der Aus- (Off-) Position befindet, ehe Sie das Gerät mit der Stromversorgung und/oder Batteriestromversorgung verbinden, es aufheben oder herumtragen.

Das Herumtragen von Elektrowerkzeugen mit dem Finger am Schalter oder das Herstellen der Stromversorgung bei betätigtem Schalter zieht Unfälle regelrecht an.

d) Entfernen Sie sämtliche Einstellwerkzeuge (Einstellschlüssel), ehe Sie das Elektrowerkzeug einschalten.

Ein an einem beweglichen Teil des Elektrowerkzeugs angebrachter Schlüssel kann zu Verletzungen führen.

e) Sorgen Sie für einen festen Stand. Achten Sie jederzeit darauf, sicher zu stehen und das Gleichgewicht zu bewahren.

Dadurch haben Sie das Elektrowerkzeug in unerwarteten Situationen besser im Griff.

f) Kleiden Sie sich richtig. Tragen Sie keine lose Kleidung oder Schmuck. Halten Sie Haar, Kleidung und Handschuhe von beweglichen Teilen fern.

Lose Kleidung, Schmuck oder langes Haar kann von beweglichen Teilen erfasst werden.

g) Wenn Anschlüsse für Staubabsaug- und -sammelvorrichtungen vorhanden sind, sorgen Sie dafür, dass diese richtig angeschlossen und eingesetzt werden.

Durch Entfernen des Staubes können staubbezogene Gefahren vermindert werden.

h) Wenn Anschlüsse für Staubabsaug- und -sammelvorrichtungen vorhanden sind, sorgen Sie dafür, dass diese richtig angeschlossen und eingesetzt werden.

Durch Entfernen des Staubes können staubbezogene Gefahren vermindert werden.

i) Wenn Anschlüsse für Staubabsaug- und -sammelvorrichtungen vorhanden sind, sorgen Sie dafür, dass diese richtig angeschlossen und eingesetzt werden.

Durch Entfernen des Staubes können staubbezogene Gefahren vermindert werden.

4) Einsatz und Pflege von Elektrowerkzeugen

a) Übersprechen Sie Elektrowerkzeuge nicht. Benutzen Sie das richtige Elektrowerkzeug für Ihren Einsatzzweck.

Das richtige Elektrowerkzeug erledigt seine Arbeit bei bestimmungsgemäßem Einsatz besser und sicherer.

b) Benutzen Sie das Elektrowerkzeug nicht, wenn es sich nicht am Schalter ein- und ausschalten lässt.

Jedes Elektrowerkzeug, das nicht mit dem Schalter betätigt werden kann, stellt eine Gefahr dar und muss repariert werden.

- c) **Stecken Sie den Stecker der Stromversorgung oder Batteriestromversorgung vom Gerät ab, ehe Sie Einstellarbeiten vornehmen, Zubehörteile tauschen oder das Elektrowerkzeug verstauen.** *Solche präventiven Sicherheitsmaßnahmen verhindern den unbeabsichtigten Anlauf des Elektrowerkzeugs und die damit verbundenen Gefahren.*
- d) **Lagern Sie nicht benutzte Elektrowerkzeuge außerhalb der Reichweite von Kindern, lassen Sie nicht zu, dass Personen das Elektrowerkzeug bedienen, die nicht mit dem Werkzeug selbst und/oder diesen Anweisungen vertraut sind.** *Elektrowerkzeuge in ungeschulten Händen sind gefährlich.*
- e) **Halten Sie Elektrowerkzeuge in Stand. Prüfen Sie auf Fehlausrichtungen, sicheren Halt und Leichtgängigkeit beweglicher Teile, Beschädigungen von Teilen und auf jegliche andere Zustände, die sich auf den Betrieb des Elektrowerkzeugs auswirken können. Bei Beschädigungen lassen Sie das Elektrowerkzeug reparieren, ehe Sie es benutzen.** *Viele Unfälle mit Elektrowerkzeugen sind auf schlechte Wartung zurückzuführen.*
- f) **Halten Sie Schneidwerkzeuge scharf und sauber.** *Richtig gewartete Schneidwerkzeuge mit scharfen Schneidkanten bleiben weniger häufig hängen und sind einfacher zu beherrschen.*
- g) **Benutzen Sie Elektrowerkzeuge, Zubehör, Werkzeugspitzen und Ähnliches in Übereinstimmung mit diesen Anweisungen – beachten Sie dabei die jeweiligen Arbeitsbedingungen und die Art und Weise der auszuführenden Arbeiten.** *Der Gebrauch des Elektrowerkzeuges für andere als die vorgesehenen Anwendungen kann zu gefährlichen Situationen führen.*
- 5) **Service**
- a) **Lassen Sie Elektrowerkzeuge durch qualifizierte Fachkräfte und unter Einsatz passender, zugelassener Originalteile warten.** *Dies sorgt dafür, dass die Sicherheit des Elektrowerkzeugs nicht beeinträchtigt wird.*

VORSICHT

Von Kindern und gebrechlichen Personen fernhalten. Werkzeuge sollten bei Nichtgebrauch außerhalb der Reichweite von Kindern und gebrechlichen Personen aufbewahrt werden.

HEISSLUFTGEBLÄSE SICHERHEITSWARNHINWEISE

WARNUNG

1. Dieses Werkzeug ist nicht zur Benutzung durch Personen (einschließlich von Kindern) mit verminderten körperlichen, Sinnes- oder Geistesfähigkeiten oder mit mangelnder Erfahrung und Wissen gedacht, außer sie werden beaufsichtigt und haben Anleitung zum Gebrauch des Werkzeugs von einer Person erhalten, die für ihre Sicherheit verantwortlich ist.
2. Kinder sollten beaufsichtigt werden, damit sie nicht mit dem Werkzeug spielen.
3. Wenn das Werkzeug nicht vorsichtig gebraucht wird, kann es zu einem Brand kommen:
Seien Sie daher bei der Benutzung des Werkzeugs an Orten, wo es brennbare Stoffe gibt, vorsichtig.
Halten Sie es nicht über längere Zeit auf ein und dieselbe Stelle.

Benutzen Sie es nicht in einer explosionsgefährlichen Atmosphäre.

Seien Sie sich dessen bewusst, dass die Hitze zu brennbaren Stoffen geleitet werden kann, die außer Sicht sind.

Stellen Sie das Werkzeug auf seinem Ständer ab und lassen Sie es auskühlen, bevor Sie es verstauen.

Lassen Sie das Werkzeug, wenn es in Gebrauch ist, nicht unbeaufsichtigt.

4. Benutzen Sie das Werkzeug nicht mit nassen Händen und berühren Sie damit nicht den Netzstecker.
Wird das nicht beachtet, kann es zu Stromschlägen führen.
5. Überprüfen Sie den Arbeitsbereich vor Verwendung des Gerätes und benutzen Sie das Werkzeug nicht, wenn die Sicherheit nicht gewährleistet werden kann.
Wird das nicht beachtet, können sich entzündbare Gegenstände, die in oder hinter unsichtbaren Bereichen (Schränken, Decken, Böden, Hohlstellen) sind, entzünden.
6. Stehen Sie bei Benutzung des Werkzeugs an hochgelegenen Stellen nicht direkt unterhalb.
Achten Sie auch darauf, dass sich das Stromkabel nicht irgendwo verfängt, oder dass daran gezogen wird.
Wird das nicht beachtet, kann es zu Unfällen führen.
7. Richten Sie die Heißluft nicht direkt auf Menschen oder Tiere. Nicht in die Düse blicken. Benutzen Sie das Gerät auf keinen Fall als Föhn.
Wird das nicht beachtet, kann es zu Unfällen oder Verletzungen führen.
8. Es gibt Fälle, in denen hochgiftiges Gas freigesetzt wird, wenn das Gerät auf Kunststoff, Lack, oder ähnlichen Stoffen benutzt wird.
Stellen Sie immer sicher, dass der Arbeitsbereich gut belüftet ist, und tragen Sie eine Staubschutzmaske.
9. Wenden Sie die Hitze behutsam an, indem Sie das Heißluftgebläse nach oben, unten, links und rechts bewegen.
Wird beständig auf eine einzige Stelle gezielt, kann das zu Rauchentwicklung oder einem Brand führen.
10. Falls es versehentlich zu Boden fallen gelassen wurde, oder Stößen ausgesetzt war, überprüfen Sie das Werkzeug auf Schäden, Risse und Verformung.
Schäden, Risse und Verformung können zu Verletzungen führen.
11. Falls das Heißluftgebläse nicht ordnungsgemäß funktioniert, oder Sie anormale Geräusche oder Vibrationen bemerken, stellen Sie die Arbeit sofort ein und wenden Sie sich an einem einer von HiKOKI autorisierten Service-Werkstatt für Elektrogeräte, um eine Inspektion und Reparaturen zu verlangen.
Eine Weiterbenutzung kann zu Verletzungen führen.
12. Entfernen Sie sich nicht vom Gerät, wenn es eingeschaltet ist. Wenn dies nicht beachtet wird, kann es zu Unfällen kommen.
13. Falls während des Gebrauchs der Strom ausfallen sollte (z.B. der Stecker aus der Steckdose gezogen wurde, eine Sicherung durchbrannte, oder ein Stromausfall eingetreten ist) und das Heißluftgebläse gestoppt wurde, stellen Sie bitte den Schalter auf OFF. Wird der Schalter auf ON gelassen, kann das Wiedereinschalten des Gebläses, sobald der Strom wieder da ist, einem Brand verursachen.

VORSICHT

1. Teile der mitgelieferten Düse sind scharf. Benutzen Sie daher Handschuhe, wenn Sie diese aus dem Gehäuse nehmen und beim Anbringen bzw. Abmontieren.
2. Die Heißluftdüse, die Düsenspitze und das Material, das erhitzt wurde, sind während und unmittelbar nach Gebrauch des Werkzeugs extrem heiß. Benutzen Sie also Handschuhe und vermeiden Sie, sie direkt zu berühren.

3. Blasen Sie nicht in das Innere von Schachteln, Schubladen oder andere umschlossene Flächen.
Wird beständig auf eine einzige Stelle gezielt, kann das zu Rauchentwicklung oder einem Brand führen.
4. Achten Sie darauf, bei Gebrauch des Werkzeugs die Düse in einem Abstand von mindestens 5 cm von dem Gegenstand zu halten, der erhitzt wird. Decken Sie auch die Düse nicht ab oder blockieren Sie sie nicht anderweitig.
Wird dies nicht beachtet, kann es zu einer Überhitzung des Heißluftgebläses und zu Fehlfunktionen führen.
5. Schalten Sie das Werkzeug nicht wiederholt ein und aus. Benutzen Sie das Werkzeug auch nicht mit gefaltetem oder verdrehtem Stromkabel.
Wird das nicht beachtet, kann es zu Fehlfunktionen führen.
6. Richten Sie die Heißluftdüse nicht unmittelbar nach Gebrauch nach unten.
Wird dies nicht beachtet, kann es zu einer Überhitzung des Werkzeugs und zu Fehlfunktionen führen.

TECHNISCHE DATEN

Stromversorgung	Typ	Kann mit einphasigem Strom zu 50 Hz und zu 60 Hz benutzt werden.		
	Spannung	110 V	120 V bis 127 V	220 V bis 240 V
	Nennstromstärke	12,9 A	12,2 A	8,8 A
Leistungsaufnahme		1375 W	1500 W	2000 W
Kapazität	Heißluftvolumen	0,25 m³/ Min bis 0,5 m³/ Min (2-stufiger Schalter)		
	Heißlufttemperatur	250 – 500°C 2-stufiger Schalter 50°C (Bei Benutzung des Kühlungsknopfs.)	350 – 500°C 2-stufiger Schalter 50°C (Bei Benutzung des Kühlungsknopfs.)	450 – 600°C 2-stufiger Schalter 50°C (Bei Benutzung des Kühlungsknopfs.)
Motortyp		Gleichstrommotor		
Gewicht		0,57 Kg		

STANDARDZUBEHÖR

- ① Düse (rund).....1
- ② Düse (flach).....1
- ③ Düse (gebogene Fläche)1
- ④ Düse (Glasschutz).....1
- ⑤ Schaber (mit Griff).....1
- ⑥ Koffer.....1

Das Standardzubehör kann je nach Gebiet verschieden sein.

Das Standardzubehör kann ohne vorherige Bekanntmachung jederzeit geändert werden.

VERWENDUNG

- Ablösen von Farbe
- Aufweichen von Klebstoff
- Entfernen von Kitt von Fensterrahmen
- Formen von Harzrohren
- Verschweißen von Kunststoff
- Verpackung mit Heißschrumpffolie
- Löten
- Austrocknungsarbeiten
- Entfrostern

VOR INBETRIEBNAHME

1. Stromquelle

Stellen Sie sicher, dass die Stromquelle, die verwendet werden soll, den Anforderungen entspricht, die auf der Gerätplakette des Produktes angegeben sind.

2. Einschaltknopf

Vergewissern Sie sich, dass der Einschaltknopf auf AUS gestellt ist.

Wenn der Stecker in eine Steckdose gesteckt wird, während der Einschaltknopf auf EIN ist, beginnt das Elektrowerkzeug sofort zu arbeiten, was zu schweren Unfällen führen könnte.

3. Verlängerungskabel

Wenn der Arbeitsbereich zu weit von der Stromquelle entfernt ist, benutzen Sie ein Verlängerungskabel von ausreichender Stärke und Nennkapazität. Das Verlängerungskabel sollte so kurz wie möglich gehalten werden.

GRUNDFUNKTIONEN

1. Schalterfunktionen und Temperatureinstellungen (Abb. 1, 2)

Drücken Sie den Schalter nach oben oder unten, um einen Dauerbetrieb zu ermöglichen, auch wenn Sie ihren Finger entfernen.

Drücken Sie leicht auf den Vorsprung, um den Schalter wieder in mittlere Position zu bringen, und schalten Sie dann den Strom ab.

Temperatur und Volumen der Heißluft können in zwei Stufen eingestellt werden, je nachdem, wie der Schalter gestellt wird.

Schalterstellung [I]:

- 110 V: 250°C (Heißluftvolumen 0,25 m³)
- 120 V bis 127 V: 350°C (Heißluftvolumen 0,25 m³)
- 220 V bis 240 V: 350°C (Heißluftvolumen 0,25 m³)

Schalterstellung [II]:

- 110 V bis 127 V: 500°C (Heißluftvolumen 0,5 m³)
- 220 V bis 240 V: 600°C (Heißluftvolumen 0,5 m³)

Drücken Sie den Schnellkühlungsknopf und drücken Sie den Schalter, um Warmluft mit ungefähr 50 Grad Celsius für jedes Heißluftvolumen des Schalters abzugeben.

Das wird benutzt, um Material rasch zu kühlen, das sich unter Hitze krümmt, und um die Düse abzukühlen, wenn sie nach Gebrauch des Heißluftgebläses hohe Temperaturen erreicht.

2. Benutzung des Hakens (Abb. 3)

VORSICHT

- Wenn das Werkzeug bei der Arbeit nach oben gerichtet wird, müssen Sie darauf achten, es auf einen stabilen Block zu stellen, der nicht kippt.
- Hängen Sie das Werkzeug beim Tragen nicht an Ihr Handgelenk oder Ihre Hüfte, wenn die Düse ist noch heiß ist.

Stützen Sie das Werkzeug fest ab, wenn Sie die Düse des Heißluftgebläses nach oben richten.

Sie können das Werkzeug bei der Arbeit an hochgelegenen Stellen auch mit einer Schnur an des Handgelenk usw. hängen, um zu verhindern, dass es hinunter fällt.

3. Anbringen der Düse (Abb. 4)

VORSICHT

Die Düse ist nach Gebrauch extrem heiß, berühren Sie sie also nicht.

HINWEIS

Achten Sie darauf, die Düse nicht fallen zu lassen.

Tauschen Sie die Düse gegen einen Typ aus, der für die anstehende Arbeit geeignet ist.

Schieben Sie die mitgelieferte Düse fest in die Heißluftöffnung bis zum Anschlag ein.

4. Temperatureinstellungen

WARNUNG

- Benutzen Sie das Werkzeug nicht in Nähe von flüchtigen Stoffen (Verdünner, Benzin usw.)
- Bringen Sie die Heißluftdüse während des Gebrauchs nicht in enge Berührung mit Ihren Händen oder Ihrem Gesicht.
Die Düse ist nach Gebrauch extrem heiß, berühren Sie sie also nicht.

Stellen Sie die Temperatur je nach dem Gegenstand ein, der erhitzt werden soll.

Achten Sie auch auf das umgebende Material, das gleichzeitig erhitzt wird.

Wenden Sie vor allem zuerst die Heißluft aus einer Entfernung an und prüfen Sie dabei, ob es keine Veränderungen an den Gegenständen gibt, die erhitzt werden, und führen Sie sie dann näher heran, bis Sie einen geeigneten Abstand erreicht haben.

Erhitzen von entzündbaren Stoffen (Papier, Holz, Kunststoff usw.)

Stellen Sie den Schalter auf Stellung [I] und wenden Sie die Heißluft in einem Abstand von mindestens 10 cm von dem Gegenstand an, der erhitzt wird.
Bewegen Sie die Düsen spitze behutsam nach oben, unten, links und rechts, um die Hitze anzuwenden.
Konstante Anwendung von Hitze auf nur eine Stelle kann zu Verformungen oder zu Rauchentwicklung führen.

Erhitzen von nicht entzündbaren Stoffen (Metall, Stein, Beton usw.)

Stellen Sie den Schalter auf Stellung [I], und wenn es keine Probleme gibt, bewegen Sie ihn auf Stellung [II].
Wenden Sie die Hitze mit der Düse in einem Abstand von mindestens 5 cm vom Gegenstand an, der erhitzt wird.
Wird dies nicht beachtet, kann es zu einer Überhitzung des Werkzeugs und zu Fehlfunktionen führen.

ARBEITSBEISPIEL

VORSICHT

Teile der mitgelieferten Düsen sind scharf. Benutzen Sie daher Handschuhe, wenn Sie diese aus dem Gehäuse nehmen und beim Anbringen bzw. Abmontieren.
Wählen Sie die Düse je nach der Form des Gegenstands und der Fläche aus, die erhitzt wird.

1. Ablösen von Farbe (Abb.5)

Benutzen Sie die flache oder die runde Düse, um die Farbe mit der Heißluft aufzuweichen, und entfernen Sie die Farbe dann mit dem mitgelieferten Schaber.
Beachten Sie, dass die Farbe, wenn Sie zu stark erhitzt wird, verschmort und härter wird, wodurch sie dann schwer abzukratzen ist.

2. Aufweichen von Klebstoff (Abb. 6)

Benutzen Sie die flache oder runde Düse zum Aufweichen der Oberfläche, damit sie leicht ablösbar wird, und ziehen Sie sie dann an einer der Kanten etwas hoch, blasen Sie sie dann unter sie und ziehen Sie sie behutsam ab, so dass kein Klebstoff mehr zurückbleibt.

3. Hitzeverpackung (Abb. 7)

Benutzen Sie die flache Düse, um mit Schrumpfolie zu verpacken und Rohre. Das Material wird die Farbe ändern oder Risse bekommen, wenn die Heißluft aus zu nahem Abstand geblasen wird, halten Sie also angemessenen Abstand und überwachen Sie dabei den Vorgang.

4. Formen von Harzrohren (Abb. 8)

Benutzen Sie die Düse (gebogene Fläche), um den Umfang des Harzrohres gleichmäßig zu erhitzen.
Schütten Sie Sand in das Rohr und verstopfen Sie beide Enden, um zu verhindern, dass sich das Rohrinne beim Biegen verengt und biegen Sie das Rohr dann behutsam.

5. Entfernen von Kitt von Fensterrahmen (Abb. 9)

Benutzen Sie die Düse (Glasschutz) zum Aufweichen des Kitts mit Heißluft und entfernen Sie dann den Kitt mit dem mitgelieferten Schaber.
Beachten Sie, dass Glas springen kann, wenn es ständig Hitze ausgesetzt ist.

6. Entfrosten von Wasserrohren (Abb. 10)

Benutzen Sie die Düse (gebogene Fläche), um den gefrorenen Bereich von außen zur Mitte hin zu erhitzen.
Verwechseln Sie Wasserrohre nicht mit Glasrohren.
Achten Sie darauf, gefrorene Harzbereiche an Wasserrohren nicht zu beschädigen.

[Wirksame Benutzung des Schnellkühlknopfs]

Drücken Sie den Schnellkühlknopf und drücken Sie den Schalter, um Warmluft mit ungefähr 50 Grad Celsius für jedes Heißluftvolumen des Schalters abzugeben.
Das wird benutzt, um Material rasch zu kühlen, das sich unter Hitze krümmt, und um die Düse abzukühlen, wenn sie nach Gebrauch des Heißluftgebläses hohe Temperaturen erreicht.

WARTUNG UND INSPEKTION

1. Inspektion der Befestigungsschrauben

Inspizieren Sie regelmäßig alle Befestigungsschrauben und vergewissern Sie sich, dass sie ordnungsgemäß angezogen sind. Sollte eine der Schrauben locker sein, ziehen Sie diese sofort wieder fest. Wird das nicht getan, kann das zu ernsthaften Gefahrensituationen führen.

2. Wartung des Motors

Die Wicklung des Motors ist das "Herzstück" des Elektrowerkzeugs.
Verhindern Sie, dass Fremdkörper, Öl, oder Wasser in die Einlassöffnung gelangen.

3. Austauschen des Stromkabels

Wenn das Stromkabel ausgetauscht werden muss, dann muss das von der von HiKOKI autorisierten Service-Werkstatt durchgeführt werden, um Sicherheitsrisiken zu vermeiden.

4. Außenreinigung

Wenn der Rasentrimmer schmutzig ist, mit einem weichen trockenen Tuch oder einem mit Seifenwasser befeuchteten Tuch abwischen. Kein Chlorlösungsmittel, Benzin oder Farblösungsmittel verwenden, da sie Kunststoffe aufweichen.

5. Liste der Wartungsteile

VORSICHT

Reparatur, Modifikation und Inspektion von HiKOKI-Elektrowerkzeugen müssen durch ein autorisiertes HiKOKI-Kundendienstzentrum durchgeführt werden.

Diese Teileliste ist hilfreich, wenn sie dem autorisierten HiKOKI-Kundendienstzentrum zusammen mit dem Werkzeug für Reparatur oder Wartung ausgehändigt wird.

Bei Betrieb und Wartung von Elektrowerkzeugen müssen die Sicherheitsvorschriften und Normen beachtet werden.

MODIFIKATIONEN

HiKOKI-Elektrowerkzeuge werden fortwährend verbessert und modifiziert, um die neuesten technischen Fortschritte einzubauen.

Dementsprechend ist es möglich, daß einige Teile ohne vorherige Benachrichtigung geändert werden.

GARANTIE

Auf HiKOKI-Elektrowerkzeuge gewähren wir eine Garantie unter Zugrundelegung der jeweils geltenden gesetzlichen und landesspezifischen Bedingungen. Dieses Garantie erstreckt sich nicht auf Gehäusedefekte und nicht auf Schäden, die auf Missbrauch, bestimmungswidrigen Einsatz oder normalen Verschleiß zurückzuführen sind. Im Schadensfall senden Sie das nicht zerlegte Elektrowerkzeug zusammen mit dem GARANTIESCHEIN, den Sie am Ende der Bedienungsanleitung finden, an ein von HiKOKI autorisiertes Servicecenter.

HINWEIS

Aufgrund des ständigen Forschungs und Entwicklung sprogramms von HiKOKI sind änderungen der hierin gemachten technischen Angaben vorbehalten.

AVERTISSEMENTS DE SÉCURITÉ GÉNÉRAUX POUR L'OUTIL

⚠ AVERTISSEMENT

Lire tous les avertissements de sécurité et toutes les instructions.

Ne pas suivre les avertissements et instructions peut donner lieu à un choc électrique, un incendie et/ou une blessure sérieuse.

Conserver tous les avertissements et toutes les instructions pour pouvoir s'y reporter ultérieurement. Le terme «outil» dans les avertissements fait référence à votre outil électrique alimenté par le secteur (avec cordon d'alimentation) ou votre outil fonctionnant sur batterie (sans cordon d'alimentation).

1) Sécurité de la zone de travail

- a) **Conserv**er la zone de travail propre et bien éclairée.

Les zones en désordre ou sombres sont propices aux accidents.

- b) **Ne pas faire fonctionner les outils électriques en atmosphère explosive, par exemple en présence de liquides inflammables, de gaz ou de poussières.**

Les outils électriques produisent des étincelles qui peuvent enflammer les poussières ou les fumées.

- c) **Maintenir les enfants et les personnes présentes à l'écart pendant l'utilisation de l'outil.**

Les distractions peuvent vous faire perdre le contrôle de l'outil.

2) Sécurité électrique

- a) **Il faut que les fiches de l'outil électrique soient adaptées au socle. Ne jamais modifier la fiche de quelque façon que ce soit. Ne pas utiliser d'adaptateurs avec des outils à branchement de terre.**

Des fiches non modifiées et des socles adaptés réduiront le risque de choc électrique.

- b) **Eviter tout contact du corps avec des surfaces reliées à la terre telles que les tuyaux, les radiateurs, les cuisinières et les réfrigérateurs. Il existe un risque accru de choc électrique si votre corps est relié à la terre.**

- c) **Ne pas exposer les outils à la pluie ou à des conditions humides.**

La pénétration d'eau à l'intérieur d'un outil augmentera le risque de choc électrique.

- d) **Ne pas maltraiter le cordon. Ne jamais utiliser le cordon pour porter, tirer ou débrancher l'outil. Maintenir le cordon à l'écart de la chaleur, du lubrifiant, des arêtes ou des parties en mouvement.**

Des cordons endommagés ou emmêlés augmentent le risque de choc électrique.

- e) **Lorsqu'on utilise un outil à l'extérieur, utiliser un prolongateur adapté à l'utilisation extérieure.**

L'utilisation d'un cordon adapté à l'utilisation extérieure réduit le risque de choc électrique.

- f) **Si l'usage d'un outil dans un emplacement humide est inévitable, utiliser une alimentation protégée par un dispositif à courant différentiel résiduel (RCD).**

L'usage d'un RCD réduit le risque de choc électrique.

3) Sécurité des personnes

- a) **Rester vigilant, regarder ce que vous êtes en train de faire et faire preuve de bon sens dans votre utilisation de l'outil.**

Ne pas utiliser un outil lorsque vous êtes fatigué ou sous l'emprise de drogues, d'alcool ou de médicaments.

Un moment d'inattention en cours d'utilisation d'un outil peut entraîner des blessures graves des personnes.

- b) **Utiliser un équipement de sécurité. Toujours porter une protection pour les yeux.**

Les équipements de sécurité tels que les masques contre les poussières, les chaussures de sécurité antidérapantes, les casques ou les protections acoustiques utilisés pour les conditions appropriées réduiront les blessures de personnes.

- c) **Eviter tout démarrage intempestif. S'assurer que l'interrupteur est en position arrêté avant de brancher l'outil au secteur et/ou au bloc de batteries, de le ramasser ou de le porter.**

Porter les outils en ayant le doigt sur l'interrupteur ou brancher des outils dont l'interrupteur est en position marche est source d'accidents.

- d) **Retirer toute clé de réglage avant de mettre l'outil en marche.**

Une clé laissée fixée sur une partie tournante de l'outil peut donner lieu à des blessures de personnes.

- e) **Ne pas se précipiter. Garder une position et un équilibre adaptés à tout moment.**

Cela permet un meilleur contrôle de l'outil dans des situations inattendues.

- f) **S'habiller de manière adaptée. Ne pas porter de vêtements amples ou de bijoux. Garder les cheveux, les vêtements et les gants à distance des parties en mouvement.**

Des vêtements amples, des bijoux ou les cheveux longs peuvent être pris dans des parties en mouvement.

- g) **Si des dispositifs sont fournis pour le raccordement d'équipements pour l'extraction et la récupération des poussières, s'assurer qu'ils sont connectés et correctement utilisés.**

Utiliser des collecteurs de poussière peut réduire les risques dus aux poussières.

4) Utilisation et entretien de l'outil

- a) **Ne pas forcer l'outil. Utiliser l'outil adapté à votre application.**

L'outil adapté réalisera mieux le travail et de manière plus sûre au régime pour lequel il a été construit.

- b) **Ne pas utiliser l'outil si l'interrupteur ne permet pas de passer de l'état de marche à arrêté et vice versa.**

Tout outil qui ne peut pas être commandé par l'interrupteur est dangereux et il faut le réparer.

- c) **Débrancher la fiche de la source d'alimentation en courant et/ou le bloc de batteries de l'outil avant tout réglage, changement d'accessoires ou avant de ranger l'outil.**

De telles mesures de sécurité préventives réduisent le risque de démarrage accidentel de l'outil.

- d) **Conserv**er les outils à l'arrêt hors de la portée des enfants et ne pas permettre à des personnes ne connaissant pas l'outil ou les présentes instructions de le faire fonctionner.

Les outils sont dangereux entre les mains d'utilisateurs novices.

- e) **Observer la maintenance de l'outil. Vérifier qu'il n'y a pas de mauvais alignement ou de blocage des parties mobiles, des pièces cassées ou toute autre condition pouvant affecter le fonctionnement de l'outil. En cas de dommages, faire réparer l'outil avant de l'utiliser.**

De nombreux accidents sont dus à des outils mal entretenus.

- f) **Garder affûtés et propres les outils permettant de couper.**

Des outils destinés à couper correctement entretenus avec des pièces coupantes tranchantes sont moins susceptibles de bloquer et sont plus faciles à contrôler.

- g) **Utiliser l'outil, les accessoires et les lames etc., conformément à ces instructions, en tenant compte des conditions de travail et du travail à réaliser.**

L'utilisation de l'outil pour des opérations différentes de celles prévues pourrait donner lieu à des situations dangereuses.

5) Maintenance et entretien

- a) **Faire entretenir l'outil par un réparateur qualifié utilisant uniquement des pièces de rechange identiques.**

Cela assurera le maintien de la sécurité de l'outil.

PRECAUTIONS

Maintenir les enfants et les personnes infirmes éloignés.

Lorsque les outils ne sont pas utilisés, ils doivent être rangés hors de portée des enfants et des personnes infirmes.

AVERTISSEMENTS DE SÉCURITÉ RELATIFS AU DÉCAPEUR THERMIQUE

AVERTISSEMENT

1. Cet outil n'est pas destiné à être utilisé par des personnes (notamment des enfants) les capacités physiques, sensorielles ou mentales sont réduites, ou manquant d'expérience et de connaissances, à moins qu'elles n'aient été formées et encadrées pour l'utilisation de cet outil par une personne responsable de leur sécurité.
2. Les enfants doivent être surveillés pour s'assurer qu'ils ne jouent pas avec l'outil.
3. Un incendie peut survenir si l'outil n'est pas utilisé avec soin, par conséquent:
Soyez prudent lors de l'utilisation de l'outil dans des endroits où il ya des matières combustibles.
Ne pas appliquer au même endroit pendant une longue période.
Ne pas utiliser dans une atmosphère explosive.
Soyez conscient que la chaleur peut être transmise à des matériaux combustibles hors de vue.
Placez l'outil sur son support après utilisation et laissez le refroidir avant de le ranger.
Ne laissez pas l'outil en marche sans surveillance.
4. N'utilisez pas le décapeur thermique et ne touchez pas la prise d'alimentation avec les mains mouillées.
Le non-respect de cette précaution peut provoquer un choc électrique.
5. Vérifiez toujours la zone de travail avant utilisation, et n'utilisez pas l'outil si la sécurité n'est pas garantie.
Le non-respect de cette précaution peut provoquer l'allumement d'articles inflammables invisibles ou cachés (dans des armoires, plafonds, sous des planchers, des zones creuses).

6. Ne vous tenez pas sous l'outil s'il est utilisé en hauteur.
De plus, n'accrochez pas le cordon d'alimentation à un objet et ne tirez pas dessus.
Le non-respect de cette précaution peut provoquer des accidents.

Le non-respect de cette précaution peut provoquer des accidents.

7. Ne dirigez pas le souffle d'air chaud vers des personnes ou des animaux. Ne vous penchez pas au-dessus de la buse pour regarder à l'intérieur. En aucun cas le décapeur ne doit être utilisé comme sèche-cheveux.
Le non-respect de cette instruction peut provoquer un accident ou une blessure.

8. L'émission de gaz hautement toxiques est possible en cas d'utilisation sur du plastique, de la laque ou des matériaux similaires.
Vérifiez toujours que la zone de travail est parfaitement ventilée et portez un masque de protection contre la poussière.

9. Appliquez délicatement la chaleur tout en déplaçant le décapeur thermique vers le haut, le bas, la gauche et la droite.

Si le décapeur reste statique, vous risquez de provoquer un début d'incendie ou l'émission de fumée.

10. En cas de chute ou de choc accidentel, vérifiez que l'outil n'est pas endommagé, fendu ou déformé.
Les détériorations, la présence de fissures et les déformations peuvent entraîner une blessure.

11. Arrêtez immédiatement l'utilisation de l'outil s'il ne fonctionne pas correctement ou si vous remarquez des vibrations ou bruits anormaux. Contactez votre revendeur ou un centre de service après-vente HiKOKI agréé afin de faire contrôler et réparer l'outil.
Vous risquez de vous blesser si vous continuez à l'utiliser.

12. Ne vous éloignez pas de l'appareil pendant qu'il est en marche. Le non-respect de cette précaution peut provoquer des accidents.

13. Si pendant l'utilisation, l'électricité est interrompue (le cordon d'alimentation a été débranché, le disjoncteur est tombé, une panne d'électricité est survenue ...) et le ventilateur du décapeur thermique s'est arrêté, veuillez mettre l'interrupteur en position OFF. Si l'interrupteur est toujours en position ON au moment où le courant revient, le redémarrage du ventilateur peut provoquer un incendie.

ATTENTION

1. Les pièces composant la buse ayant des rebords tranchants, enfillez des gants pour les retirer du boîtier ainsi que pour les monter/démonter.
2. La buse d'air chaud, la pointe de la buse et le matériau chauffé sont extrêmement chaud pendant et immédiatement après l'utilisation de l'outil. Il est donc important de porter des gants et d'éviter de les toucher directement.
3. N'utilisez pas le décapeur thermique à l'intérieur de boîtes, de tiroirs ou d'espaces confinés.
Si le décapeur reste statique, il peut déclencher un début d'incendie ou l'émission de fumée.
4. Vérifiez que la buse est à 5 cm au moins de l'objet chauffé à l'aide de l'outil. La buse ne doit pas être couverte ni bloquée.
Le non-respect de cette précaution peut entraîner des surchauffes et dysfonctionnements.
5. L'outil ne doit pas être mis sous tension puis hors tension plusieurs fois d'affilée. De plus, n'utilisez pas l'outil si le cordon d'alimentation est enroulé ou tordu.
Le non-respect de cette précaution peut entraîner des dysfonctionnements.
6. Ne dirigez pas la buse d'air chaud vers le bas immédiatement après utilisation.
Le non-respect de cette précaution peut entraîner des surchauffes et des dysfonctionnements.

SPECIFICATIONS

Alimentation	Type	Peut s'utiliser avec un courant monophasé 50 Hz et 60 Hz.		
	Tension	110 V	120 V à 127 V	220 V à 240 V
	Courant nominal	12,9 A	12,2 A	8,8 A
Puissance absorbée		1375 W	1500 W	2000 W
Capacité	Volume d'air	0,25 m ³ /min à 0,5 m ³ /min (interrupteur à 2 positions)		
	Température de l'air	250 – 500°C Interrupteur à 2 positions 50°C (en cas d'utilisation du bouton de refroidissement)	350 – 500°C Interrupteur à 2 positions 50°C (en cas d'utilisation du bouton de refroidissement)	450 – 600°C Interrupteur à 2 positions 50°C (en cas d'utilisation du bouton de refroidissement)
		Type de moteur	Moteur à courant alternatif	
Poids		0,57 Kg		

ACCESSOIRES STANDARD

① Buse (ronde)	1
② Buse (plate)	1
③ Buse (surface incurvée)	1
④ Buse (protection en verre).....	1
⑤ Racloir (avec poignée)	1
⑥ Étui	1

Les accessoires standards sont sujets à changement par zone.

Les accessoires standard sont sujets à changement sans préavis.

APPLICATIONS

- Décapage de la peinture
- Ramollissement de la colle
- Décollage du mastic sur les châssis de fenêtres
- Formation de tuyaux en résine
- Soudage du plastique
- Emballage à chaud à l'aide de film thermo rétractable
- Soudage
- Séchage
- Dégivrage

AVANT D'UTILISER L'OUTIL

1. Source d'alimentation

Vérifiez que la source d'alimentation à utiliser est conforme aux exigences spécifiées sur la plaque nominale du produit.

2. Interrupteur d'alimentation

Vérifiez que l'interrupteur d'alimentation est en position OFF.

Si la fiche est branchée sur une prise d'alimentation alors que l'interrupteur est en position ON, l'outil démarrera immédiatement, au risque de provoquer un accident grave.

3. Rallonge

Si la zone de travail est éloignée de la source d'alimentation, utilisez une rallonge d'épaisseur adaptée conforme à la capacité nominale. La rallonge doit être aussi courte que possible.

FONCTIONS DE BASE

1. Opérations de l'interrupteur et réglages de la température (Fig. 1, 2)

Poussez l'interrupteur vers le haut ou vers le bas pour utiliser l'outil en continu même si vous le relâchez.

Appuyez légèrement sur la partie saillante pour faire revenir l'interrupteur en position centrale et coupez l'alimentation.

La température et le volume du souffle d'air peuvent être ajustés en deux étapes, en fonction de la position de l'interrupteur.

Position [I] de l'interrupteur:

110V: 250°C (volume d'air 0,25 m³)
120 V à 127 V: 350°C (volume d'air 0,25 m³)
220 V à 240V: 350°C (volume d'air 0,25 m³)

Position [II] de l'interrupteur:

110 V à 127V: 500°C (volume d'air 0,5 m³)
220 V à 240V: 600°C (volume d'air 0,5 m³)

Appuyez sur le bouton de refroidissement rapide puis sur l'interrupteur pour souffler de l'air à environ 50 degrés Celsius, quel que soit le volume d'air choisi.

Ce bouton permet de refroidir rapidement les matériaux emballés à chaud et de refroidir la buse après utilisation.

2. Utilisation du crochet (Fig. 3)

ATTENTION

- Si vous pointez l'outil vers le haut, veillez à le placer sur un bloc stable sur lequel il ne risque pas de basculer.
- N'accrochez pas l'outil à votre poignet ni à votre taille pour vous déplacer lorsque la buse est toujours chaude.

Soutenez fermement l'outil lorsque la buse d'air chaud est tournée vers le haut.

Vous pouvez également suspendre l'outil à votre poignet etc. à l'aide d'un cordon pour éviter toute chute lorsque vous travaillez en hauteur etc.

3. Fixation de la buse (Fig. 4)

ATTENTION

Ne touchez pas la buse immédiatement après utilisation car elle est très chaude.

REMARQUE

Veillez à ne pas faire tomber la buse.

Remplacez la buse par une buse de type adapté au travail à effectuer.

Insérez à fond la buse fournie dans la buse d'air chaud.

4. Réglage de la température

AVERTISSEMENT

- N'utilisez pas le décapeur thermique à proximité de substances volatiles (diluants, gasoil, etc.)
- Pendant l'utilisation, n'approchez pas la buse d'air chaud à proximité de vos mains ou de votre visage. Ne touchez pas la buse immédiatement après utilisation car elle est très chaude.

Ajustez la température en fonction de l'objet à chauffer. Faites attention aux matériaux environnants, qui seront chauffés en même temps.

Commencez par appliquer l'air chaud à distance, tout en vérifiant que l'article chauffé n'est pas détérioré par la chaleur, puis rapprochez-vous jusqu'à la distance adaptée.

Chauffage de substances inflammables (papier, bois, plastique etc.)

Mettez l'interrupteur en position [I] et appliquez la chaleur en approchant la buse à au moins 10 cm de l'article chauffé.

Déplacez lentement la pointe de la buse vers le haut, le bas, la gauche et la droite pour appliquer la chaleur.

Si le décapeur reste statique, vous risquez de déformer l'objet chauffé ou de provoquer un début d'incendie ou l'émission de fumée.

Chauffage de substances ininflammables (métal, pierre, béton etc.)

Mettez l'interrupteur en position [I]. En cas de problème, passez-le en position [II].

Appliquez la chaleur en approchant la buse à au moins 5 cm de l'article chauffé.

Si la buse est trop proche de l'objet chauffé, le décapeur risque de chauffer et de fonctionner anormalement.

ETUDE DE CAS

ATTENTION

Les pièces composant la buse ayant des rebords tranchants, enfillez des gants pour les retirer du boîtier ainsi que pour les monter/démonter.

Choisissez la buse en fonction de la forme de l'objet et de la surface chauffés.

1. Décapage de la peinture (Fig. 5)

Utilisez une buse plate ou ronde pour ramollir la peinture, puis servez-vous du racloir fourni pour la décoller.

Attention : si la peinture est trop chauffée, elle sera brûlée et durcie, ce qui rendra son retrait plus difficile.

2. Ramollissement de la colle (Fig. 6)

Utilisez une buse plate ou arrondie pour ramollir la surface et faciliter son écaillage puis décollez un rebord pour souffler l'air par sssous et décollez délicatement jusqu'à ce qu'il ne reste plus de colle.

3. Emballage à chaud (Fig. 7)

Utilisez la buse plate pour l'emballage à chaud avec du film ou des tubes. Le matériau change de couleur ou se fissure si l'air chaud est soufflé de trop près. Maintenez donc une distance adaptée tout en surveillant la progression.

4. Formation de tuyaux en résine (Fig. 8)

Utilisez la buse (surface incurvée) chauffer uniformément la circonférence du tuyau en résine.

Pour éviter le retrécissement du diamètre interne du tuyau lorsqu'il est plié etc. versez du sable à l'intérieur, fermez les deux extrémités puis pliez délicatement le tuyau.

5. Décollage du mastic sur les châssis de fenêtres (Fig. 9)

Utilisez une buse à protection en verre pour ramollir le mastic, puis servez-vous du racloir fourni pour le décoller. Notez que le verre peut se fissurer si la chaleur est appliquée en continu.

6. Dégivrage des canalisations d'eau (Fig. 10)

Utilisez la buse (surface incurvée) pour chauffer la zone gelée, en partant des extrémités pour revenir vers le centre. Ne confondez pas les canalisations d'eau avec des tubes en verre.

Veillez à ne pas détériorer les parties en résine gelées des canalisations d'eau.

[Utilisation efficace du bouton de refroidissement rapide]

Appuyez sur le bouton de refroidissement rapide puis sur l'interrupteur pour souffler de l'air à environ 50 degrés Celsius, quel que soit le volume d'air choisi.

Ce bouton permet de refroidir rapidement les matériaux emballés à chaud et de refroidir la buse après utilisation.

ENTRETIEN ET VERIFICATION

1. Contrôle des vis de montage

Contrôlez régulièrement toutes les vis de montage et vérifiez qu'elles sont bien serrées. Si une vis venait à se desserrer, resserrez-la immédiatement pour éviter tout accident.

2. Entretien du moteur

L'enroulement du moteur est le "cœur" de l'outil électrique.

Éviter la pénétration de corps étrangers, d'huile ou d'eau à l'intérieur de la prise d'air.

3. Remplacement du cordon d'alimentation

Si le cordon d'alimentation doit être remplacé, adressez-vous à un centre de maintenance agréé HiKOKI pour éviter tout risque.

4. Nettoyage de l'extérieur

Quand l'outil est sale, essuyez-la avec un chiffon sec et doux ou un chiffon imbibé d'eau savonneuse. N'utilisez pas de solvant au chlore, d'essence ou de diluant, car ils font fondre les matières plastiques.

5. Liste des pièces de rechange

ATTENTION

Les réparations, modifications et inspections des outils électriques HiKOKI doivent être confiées à un service après-vente HiKOKI agréé.

Il sera utile de présenter cette liste de pièces au service après-vente HiKOKI agréé lorsqu'on apporte un outil nécessitant des réparations ou tout autre entretien.

Lors de l'utilisation et de l'entretien d'un outil électrique, respecter les règlements et les normes de sécurité en vigueur dans le pays en question.

MODIFICATIONS

Les outils électriques HiKOKI sont constamment améliorés et modifiés afin d'incorporer les tous derniers progrès technologiques.

En conséquence, il est possible que certaines pièces soient modifiées sans avis préalable.

GARANTIE

Nous garantissons que l'ensemble des Outils électriques HiKOKI sont conformes aux réglementations spécifiques statutaires/nationales. Cette garantie ne couvre pas les défauts ni les dommages inhérents à une mauvaise utilisation, une utilisation abusive ou l'usure et les dommages normaux. En cas de réclamation, veuillez envoyer l'outil électrique, en l'état, accompagné du CERTIFICAT DE GARANTIE qui se trouve à la fin du Mode d'emploi, dans un service d'entretien autorisé.

REMARQUE

Par suite du programme permanent de recherche et de développement HiKOKI, ces spécific ations peuvent faire l'objet de modifications sans avis préalable.

AVVERTIMENTI GENERALI DI SICUREZZA SUGLI UTENSILI ELETTRICI



AVVERTENZA

Leggere tutti gli avvertimenti di sicurezza e tutte le istruzioni.

La mancata osservanza degli avvertimenti e delle istruzioni potrebbe essere causa di scosse elettriche, incendi e/o gravi lesioni.

Salvare tutti gli avvertimenti e le istruzioni per riferimenti futuri.

Il termine "elettroutensili" riportato nelle avvertenze si riferisce agli elettroutensili azionati con alimentazione di rete (via cavi) o a batterie (senza cavi).

1) Sicurezza dell'area operativa

a) Mantenere l'area operativa pulita e ordinata.

Aree operative sporche o disordinate possono favorire gli infortuni.

b) Non utilizzare gli elettroutensili in atmosfere esplosive, ad es. in presenza di liquidi, gas o polveri infiammabili.

Gli elettroutensili generano delle scintille che potrebbero accendere la polvere o i fumi.

c) Tenere lontani bambini e astanti durante l'utilizzo degli elettroutensili.

Qualsiasi distrazione può essere causa di perdita di controllo.

2) Sicurezza elettrica

a) Le spine degli elettroutensili devono essere idonee alle prese disponibili.

Non modificare mai le prese.

Con gli elettroutensili a massa (messi a terra), non utilizzare alcun adattatore.

L'utilizzo di spine intatte e corrispondenti alle prese disponibili ridurrà il rischio di scosse elettriche.

b) Evitare qualsiasi contatto con le superfici a massa o a terra, quali tubi, radiatori, fornelli e frigoriferi.

In caso di messa a terra o massa del corpo, sussiste un maggior rischio di scosse elettriche.

c) Non esporre gli elettroutensili alla pioggia o all'umidità.

La penetrazione di acqua negli elettroutensili aumenterà il rischio di scosse elettriche.

d) Non tirare il cavo. Non utilizzarlo per il trasporto, o per tirare o scollegare l'elettroutensile.

Tenere il cavo lontano da fonti di calore, oli, bordi appuntiti o parti in movimento.

Cavi danneggiati o attorcigliati possono aumentare il rischio di scosse elettriche.

e) Durante l'uso degli elettroutensili all'esterno, utilizzare una prolunga idonea per usi esterni.

L'utilizzo di cavi per esterno riduce il rischio di scosse elettriche.

f) Se è impossibile evitare l'impiego di un utensile elettrico in un luogo umido, utilizzare l'alimentazione protetta da un dispositivo a corrente residua (RCD).

L'uso di un RCD riduce il rischio di scosse elettriche.

3) Sicurezza personale

a) Durante l'uso degli elettroutensili, state all'erta, verificate ciò che state eseguendo e adottate sempre il buon senso.

Non utilizzate gli elettroutensili qualora siate stanchi, sotto l'influenza di farmaci, alcol o cure mediche.

Anche un attimo di disattenzione durante l'uso degli elettroutensili potrebbe essere causa di gravi lesioni personali.

b) Indossate l'attrezzatura di protezione personale. Indossate sempre le protezioni oculari.

L'attrezzatura protettiva, quali maschera facciale, calzature antiscivolo, caschi o protezioni oculari ridurrà il rischio di lesioni personali.

c) Impedite le accensioni involontarie. Prima del collegamento a una sorgente di alimentazione e/o pacco batteria e prima di raccogliere o trasportare l'utensile, verificate che l'interruttore sia posizionato su OFF.

Il trasporto degli elettroutensili tenendo le dita sull'interruttore o l'attivazione elettrica degli utensili che hanno l'interruttore su ON, implica il rischio di incidenti.

d) Prima di attivare l'elettroutensile, rimuovete qualsiasi chiave di regolazione.

Lasciando la chiave in un componente in rotazione dell'elettroutensile, sussiste il rischio di lesioni personali.

e) Mantenersi in equilibrio. Mantenersi sempre su due piedi, in equilibrio stabile.

Ciò consente di controllare al meglio l'elettroutensile in caso di situazioni impreviste.

f) Vestirsi in modo adeguato. Non indossare abiti larghi o gioielli. Tenere i capelli, gli abiti e i guanti lontano dalle parti in movimento.

Abiti allentati, gioielli e capelli lunghi potrebbero impigliarsi nelle parti in movimento.

g) In caso di dispositivi provvisti di collegamento ad apparecchiature di rimozione e raccolta polveri, verificare che queste siano collegate e utilizzate in modo adeguato.

L'utilizzo della raccolta della polvere può ridurre i rischi connessi alle polveri.

4) Utilizzo e manutenzione degli elettroutensili

a) Non utilizzare elettroutensili non idonei. Utilizzare l'elettroutensile idoneo alla propria applicazione.

Utilizzando l'elettroutensile corretto, si garantirà un'esecuzione migliore e più sicura del lavoro, alla velocità di progetto.

b) Non utilizzare l'elettroutensile qualora non sia possibile accenderlo/spengerlo tramite l'interruttore.

È pericoloso utilizzare elettroutensili che non possano essere azionati dall'interruttore. Provvedere alla relativa riparazione.

c) Prima di effettuare qualsiasi regolazione, sostituire gli accessori o depositare gli elettroutensili, scollegare la spina dalla presa elettrica e/o il pacco batteria dall'utensile elettrico.

Queste misure di sicurezza preventive riducono il rischio di avvio involontario dell'elettroutensile.

d) Depositare gli elettroutensili non utilizzati lontano dalla portata dei bambini ed evitare che persone non esperte di elettroutensili o non a conoscenza di quanto riportato sulle presenti istruzioni azionino l'elettroutensile.

È pericoloso consentire che utenti non esperti utilizzino gli elettroutensili.

e) Manutenzione degli elettroutensili. Verificare che non vi siano componenti in movimento disallineati o bloccati, componenti rotti o altre condizioni che potrebbero influenzare negativamente il funzionamento dell'elettroutensile.

In caso di guasti, provvedere alla riparazione dell'elettroutensile prima di riutilizzarlo.

Molti incidenti sono causati da una scarsa manutenzione.

- f) **Mantenere gli strumenti di taglio affilati e puliti.**
Gli strumenti di taglio in condizioni di manutenzione adeguata, con bordi affilati, sono meno soggetti al bloccaggio e sono più facilmente controllabili.
- g) **Utilizzare l'elettrotensile, gli accessori, le barrette, ecc. in conformità a quanto riportato nelle presenti istruzioni, tenendo in debita considerazione le condizioni operative e il tipo di lavoro da eseguire.**
L'uso dell'utensile elettrico per operazioni diverse da quelle previste potrebbe causare una situazione pericolosa.
- 5) **Assistenza**
- a) **Affidate le riparazioni dell'elettrotensile a persone qualificate che utilizzino solamente parti di ricambio identiche.**
Ciò garantirà il mantenimento della sicurezza dell'elettrotensile.
- PRECAUZIONI**
Tenere lontano dalla portata di bambini e invalidi.
Quando non utilizzati, gli strumenti dovranno essere depositi lontano dalla portata di bambini e invalidi.

AVVERTENZE DI SICUREZZA PER IL TERMOSOFFIATORE

AVVERTENZA

- L'utensile non è previsto per l'uso da parte di persone (inclusi i bambini) con capacità fisiche, sensoriali o mentali ridotte, o la mancanza di esperienza e conoscenza, a meno che non siano supervisionate o istruite da persone responsabili della loro sicurezza.
- Assicurarsi che i bambini non giochino con l'utensile.
- L'uso dell'utensile senza la dovuta cautela può causare incendi, pertanto assicurarsi di osservare le seguenti precauzioni:
Prestare la massima attenzione quando si utilizza l'utensile in luoghi in cui siano presenti materiali combustibili.
Non applicare l'utensile nello stesso punto per periodi prolungati.
Non utilizzare in presenza di atmosfera esplosiva.
Tenere presente che il calore può venire condotto fino a materiali combustibili che non sono visibili.
Dopo l'uso, posizionare l'utensile sull'apposito supporto e lasciarlo raffreddare prima di riporlo.
Durante l'uso, non lasciare l'utensile incustodito.
- Non toccare la spina o la presa di alimentazione con le mani bagnate. La mancata osservanza di questa precauzione può causare scosse elettriche.
- Controllare sempre l'area di lavoro prima dell'uso, e non usare l'utensile se non è possibile garantire la sicurezza. La mancata osservanza di questa precauzione può far incendiare oggetti infiammabili nascosti all'interno o dietro a zone non visibili (coperture, soffitti, pavimenti, aree cave).
- Durante l'uso su aree in posizioni elevate, non stazionare sotto l'utensile.
Evitare di far impigliare il cavo di alimentazione o di sottoporlo a trazione.
La mancata osservanza di questa precauzione può causare incidenti.
- Non puntare il getto d'aria calda verso persone o animali. Non guardare nell'ugello. Evitare assolutamente di utilizzare come asciugacapelli.
La mancata osservanza di questa precauzione può causare incidenti o lesioni personali.
- L'uso su plastica, lacca o materiali simili può provocare il rilascio di gas altamente tossici.
Accertare sempre che l'area di lavoro sia ben aerata e indossare una maschera antipolvere.
- Applicare il calore con delicatezza, muovendo il termosoffiatore verso l'alto, verso il basso, a sinistra e a destra.
Puntare costantemente il getto d'aria calda su un unico punto può provocare la formazione di fumo o incendio.
- Se l'utensile dovesse cadere o subire urti, controllare che non presenti danni, crepe o deformazioni. Danni, crepe e deformazioni possono provocare lesioni personali.
- Se l'utensile non funziona correttamente o si avvertono rumori o vibrazioni anomali, interrompere immediatamente l'uso e rivolgersi ad un Centro di Assistenza Autorizzato HiKOKI per l'ispezione e la riparazione.
Continuare ad utilizzare l'utensile in tali condizioni può provocare lesioni personali.
- Non allontanarsi dall'unità quando è accesa. La mancata osservanza di questa precauzione può causare incidenti.
- Se durante l'uso l'elettricità viene interrotta (p.es. la spina si è staccata, l'interruttore è caduto, è mancata la corrente ecc.) e il termosoffiatore si è spento, portare l'interruttore in posizione OFF. Se l'interruttore rimane in posizione ON, al momento della riaccensione il riavvio della ventola può causare un incendio.

ATTENZIONE

- Gli ugelli in dotazione hanno parti affilate, indossare pertanto dei guanti per estrarli dalla custodia e quando vengono fissati o rimossi.
- Subito dopo l'uso dell'utensile, l'ugello di uscita dell'aria calda, la punta dell'ugello e il materiale riscaldato sono estremamente caldi, indossare pertanto dei guanti ed evitare di toccarli direttamente.
- Non utilizzare all'interno di scatole, cassette o altri spazi chiusi. Puntare costantemente il getto d'aria calda su un unico punto può provocare la formazione di fumo o incendio.
- Durante l'uso dell'utensile, tenere l'ugello a una distanza minima di 5 cm dall'oggetto riscaldato. Non coprire o bloccare l'ugello in altri modi.
La mancata osservanza di questa precauzione può causare il surriscaldamento dell'utensile e conseguenti malfunzionamenti.
- Non accendere e spegnere ripetutamente l'utensile. Evitare anche di usare l'utensile con il cavo di alimentazione piegato o attorcigliato.
La mancata osservanza di questa precauzione può causare malfunzionamenti.
- Non puntare il getto d'aria calda verso il basso subito dopo l'uso.
La mancata osservanza di questa precauzione può causare il surriscaldamento dell'utensile e conseguenti malfunzionamenti.

CARATTERISTICHE

Alimentazione	Tipo	Può essere usato con corrente monofase a 50 Hz e 60 Hz.		
	Tensione	110 V	120 V – 127 V	220 V – 240 V
	Corrente elettrica nominale	12,9 A	12,2 A	8,8 A
Potenza assorbita		1375 W	1500 W	2000 W
Capacità	Portata getto d'aria	0,25 m ³ /min – 0,5 m ³ /min (interruttore a due posizioni)		
	Temperatura del getto d'aria	250 – 500°C Interruttore a due posizioni 50°C (Quando viene utilizzato il pulsante di raffreddamento)	350 – 500°C Interruttore a due posizioni 50°C (Quando viene utilizzato il pulsante di raffreddamento)	450 – 600°C Interruttore a due posizioni 50°C (Quando viene utilizzato il pulsante di raffreddamento)
Tipo di motore		Motore a corrente diretta		
Peso		0,57 Kg		

ACCESSORI STANDARD

- ① Ugello (tondo)..... 1
- ② Ugello (piatto)..... 1
- ③ Ugello (superficie curva)..... 1
- ④ Ugello (protezione vetro)..... 1
- ⑤ Raschietto (con impugnatura)..... 1
- ⑥ Custodia 1

Gli accessori standard sono soggetti a modifiche per zona. Gli accessori standard possono essere cambiati senza preavviso.

APPLICAZIONI

- Rimozione di vernice
- Ammorbidimento di adesivi
- Rimozione di stucco dai telai delle finestre
- Formatura di tubi in resina
- Saldatura di plastica
- Avvolgimento termico con pellicole in materiali termoretrattili.
- Saldatura
- Asciugatura
- Scongelamento

PRIMA DELL'USO

1. Fonte di alimentazione

Accertare che la fonte di alimentazione utilizzata sia conforme ai requisiti specificati sulla targhetta dei dati nominali del prodotto.

2. Interruttore di alimentazione

Accertare che l'interruttore di alimentazione sia in posizione OFF (spento).

Se si collega la spia alla presa di alimentazione con l'interruttore di alimentazione in posizione ON (acceso), l'utensile elettrico entra in funzione immediatamente provocando incidenti gravi.

3. Prolunga

Se l'area di lavoro è lontana dalla fonte di alimentazione, usare una prolunga dello spessore e della capacità nominale sufficienti. Usare la prolunga più corta possibile.

FUNZIONI DI BASE

1. Uso dell'interruttore e regolazione della temperatura (Fig. 1, 2)

Premere l'interruttore verso l'alto o verso il basso per consentire il funzionamento continuo anche rimuovendo il dito.

Premere leggermente la sporgenza per riportare l'interruttore in posizione centrale e spegnere l'unità. La temperatura e la portata del getto d'aria sono regolabili su due livelli a seconda della posizione dell'interruttore.

Interruttore in posizione [I]:

- 110 V: 250°C (portata getto d'aria 0,25 m³)
- 120 V – 127 V: 350°C (portata getto d'aria 0,25 m³)
- 220 V – 240 V: 350°C (portata getto d'aria 0,25 m³)

Interruttore in posizione [II]:

- 110 V – 127 V: 500°C (portata getto d'aria 0,5 m³)
- 220 V – 240 V: 600°C (portata getto d'aria 0,5 m³)

Premere il pulsante di raffreddamento rapido e premere l'interruttore per erogare aria calda alla temperatura di circa 50 gradi e alla portata corrispondente alla posizione dell'interruttore.

Questa funzione consente di raffreddare rapidamente i materiali termodeformanti e raffreddare l'ugello quando raggiunge temperature elevate dopo l'uso dell'utensile.

2. Uso del gancio (Fig. 3)

ATTENZIONE

- Quando si punta l'utensile verso l'alto per lavorare, assicurarsi che sia posizionato su un blocco stabile che non si inclina.
- Non appendere l'utensile alla cintura quando l'ugello è ancora caldo.

Reggere saldamente l'utensile quando si punta l'ugello di uscita dell'aria calda verso l'alto.

È possibile anche assicurare il termosoffiatore alla cintura ecc. con una corda, per impedire che cada quando si lavora in posizioni elevate ecc.

3. Fissaggio dell'ugello (Fig. 4)

ATTENZIONE

L'ugello è estremamente caldo dopo l'uso, evitare pertanto di toccarlo.

NOTA

Non lasciar cadere l'ugello.

Sostituire l'ugello con uno del tipo adatto al lavoro da svolgere. Inserire saldamente e a fondo l'ugello in dotazione nell'ugello di uscita dell'aria calda.

4. Regolazione della temperatura

AVVERTENZA

- Non usare l'utensile nelle vicinanze di sostanze volatili (diluyente, benzina ecc.).
- Non avvicinare l'ugello di uscita dell'aria calda alle mani o al viso durante l'uso. L'ugello è estremamente caldo dopo l'uso, evitare pertanto di toccarlo. Regolare la temperatura in base all'oggetto da riscaldare.

Prestare anche attenzione al materiale circostante che verrà riscaldato.

Iniziare applicando il getto d'aria calda da lontano, controllando che non si verifichino cambiamenti nell'oggetto riscaldato, quindi avvicinarlo fino alla distanza adeguata.

Riscaldamento di sostanze infiammabili (carta, legno, plastica ecc.)

Portare l'interruttore in posizione [I] e applicare il calore con l'ugello a una distanza minima di 10 cm dall'oggetto riscaldato.

Muovere delicatamente la punta dell'ugello verso l'alto, verso il basso, a sinistra e a destra per applicare il calore. L'applicazione costantemente del calore in un unico punto può provocare la deformazione dell'oggetto riscaldato o la formazione di fumo.

Riscaldamento di sostanze non infiammabili (metallo, pietra, cemento ecc.)

Portare l'interruttore in posizione [I] e se non ci sono problemi, spostarlo alla posizione [II].

Applicare il calore con l'ugello a una distanza minima di 5 cm dall'oggetto riscaldato.

Tenere l'ugello troppo vicino può causare il surriscaldamento dell'utensile e conseguenti malfunzionamenti.

ESEMPIO DI LAVORO

ATTENZIONE

Gli ugelli in dotazione hanno parti affilate, indossare pertanto dei guanti per estrarli dalla custodia e quando vengono fissati o rimossi.

Scegliere l'ugello in base alla forma dell'oggetto e dell'area da riscaldare.

1. Rimozione di vernice (Fig. 5)

Usare l'ugello (piatto) o (tondo) per ammorbidire la vernice con il getto d'aria calda, quindi rimuoverla con il raschietto in dotazione.

Il riscaldamento eccessivo della vernice ne può provocare la sovracottura, rendendone difficile la rimozione.

2. Ammorbidimento di adesivi (Fig. 6)

Usare l'ugello (piatto) o (tondo) per ammorbidire la superficie dell'adesivo e renderlo facile da staccare, quindi sollevarne uno dei bordi, soffiare delicatamente calore al di sotto dell'adesivo e staccarlo delicatamente in modo da non lasciare residui.

3. Avvolgimento termico (Fig. 7)

Usare l'ugello (piatto) per avvolgere termicamente pellicole e tubi in materiale termoretrattile. Soffiando l'aria calda da una distanza troppo ridotta, il materiale cambia colore o si screpola, mantenere pertanto una distanza adeguata e tenere sotto controllo l'operazione.

4. Formatura di tubi in resina (Fig. 8)

Usare l'ugello (superficie curva) per riscaldare uniformemente la circonferenza del tubo in resina. Per evitare il restringimento dell'interno del tubo durante la piegatura ecc., versare sabbia all'interno del tubo, tappare entrambe le estremità e piegare delicatamente.

5. Rimozione di stucco dai telai delle finestre (Fig. 9)

Usare l'ugello (protezione vetro) per ammorbidire lo stucco con il calore, quindi rimuoverlo con il raschietto in dotazione. Prestare attenzione al fatto che l'applicazione continua di calore sul vetro ne può causare la rottura.

6. Scongelo di tubi dell'acqua (Fig. 10)

Usare l'ugello (superficie curva) per riscaldare l'area congelata procedendo dal bordo verso il centro. Non cambiare tubi dell'acqua e tubi di vetro. Fare attenzione a non danneggiare le zone in resina congelate dei tubi dell'acqua.

[Uso efficace del pulsante di raffreddamento rapido]

Premere il pulsante di raffreddamento rapido e premere l'interruttore per erogare aria calda alla temperatura di circa 50 gradi e alla portata corrispondente alla posizione dell'interruttore.

Questa funzione consente di raffreddare rapidamente i materiali termodeformanti e raffreddare l'ugello quando raggiunge temperature elevate dopo l'uso del termosoffiatore.

MANUTENZIONE ED ISPEZIONE

1. Ispezione delle viti di montaggio

Ispezionare regolarmente tutte le viti di montaggio e accertare che siano adeguatamente serrate. Se le viti dovessero essere allentate, riserrarle immediatamente. La mancata osservanza di questo punto potrebbe risultare in un grave pericolo.

2. Manutenzione del motore

L'avvolgimento dell'unità motore è il "cuore" dell'utensile elettrico.

Impedire l'ingresso di oggetti estranei, olio o acqua nella presa d'aria.

3. Sostituzione del cavo di alimentazione

Qualora fosse necessario sostituire il cavo di alimentazione, per evitare rischi per la sicurezza è necessario rivolgersi a un Centro di Assistenza Autorizzato HiKOKI.

4. Pulizia della carcassa dell'utensile

Quando l'attrezzo è sporco, pulirlo con uno straccio soffice, inumidito di acqua e sapone. Non usare solventi cloridrici, benzina o diluenti per benzina, in quanto potrebbero deformare la plastica.

5. Lista dei pezzi di ricambio

ATTENZIONE

Riparazioni, modifiche e ispezioni di utensili elettrici HiKOKI devono essere eseguite da un centro assistenza HiKOKI autorizzato.

Questa lista dei pezzi torna utile se viene presentata con l'utensile al centro assistenza HiKOKI autorizzato quando si richiedono riparazioni o altri interventi di manutenzione. Nell'uso e nella manutenzione degli utensili elettrici devono essere osservate le normative di sicurezza e i criteri prescritti in ciascun paese.

MODIFICHE

Gli utensili elettrici HiKOKI vengono continuamente migliorati e modificati per includere le più recenti innovazioni tecnologiche.

Di conseguenza, alcuni pezzi possono essere modificati senza preavviso.

GARANZIA

Garantiamo gli Utensili Elettrici HiKOKI in conformità alle specifiche normative imposte dalla legge e dai paesi. Questa garanzia non copre difetti o danni dovuti a uso erraneo, abuso o normale usura. In caso di lamentele, si prega di inviare l'Utensile Elettrico, non smontato, insieme al CERTIFICATO DI GARANZIA che si trova al termine di queste Istruzioni per l'uso, ad un Centro di Assistenza Autorizzato HiKOKI.

NOTA

A causa del continuo programma di ricerche e sviluppo della HiKOKI, le caratteristiche riportate in questo foglio sono soggette a cambiamenti senza preventiva comunicazione.

ALGEMENE VEILIGHEIDSWAARSCHUWINGEN VOOR ELEKTRISCH GEREEDSCHAP

WAARSCHUWING

Lees alle waarschuwingen en instructies aandachtig door.

Nalating om de waarschuwingen en instructies op te volgen kan in een elektrische schok, brand en/of ernstig letsel resulteren.

Bewaar alle waarschuwingen en aanwijzingen voor eventuele naslag in de toekomst.

De term „elektrisch gereedschap” heeft zowel betrekking op elektrisch gereedschap dat via de netvoeding van stroom wordt voorzien als gereedschap dat via een accu (snoerloos) van stroom wordt voorzien.

1) Veiligheid van de werkplek

a) Zorg voor een schone en goed verlichte werkplek.

Een rommelige of donkere werkplek verhoogt de kans op ongelukken.

b) Gebruik het elektrisch gereedschap niet in een omgeving met ontplofbare vloeistoffen, gassen of stof.

Elektrisch gereedschap kan vonken afgeven. Deze vonkjes kunnen stofdeeltjes of gassen doen ontbranden.

c) Houd kinderen en andere toeschouwers tijdens het gebruik van elektrische gereedschap uit de buurt.

Afleidingen kunnen gevaarlijk zijn.

2) Elektrische veiligheid

a) De stekker op het elektrische gereedschap moet geschikt zijn voor aansluiting op de wandcontactdoos.

De stekker mag op geen enkele manier gemodificeerd worden.

Gebruik geen verloopstekker met geaard elektrisch gereedschap.

Deugdelijke stekkers en geschikte wandcontactdozen verminderen het risico op een elektrische schok.

b) Vermijd lichamelijk contact met geaarde oppervlakken zoals leidingen, radiatoren, fornuizen en koelkasten.

Wanneer uw lichaam in contact staat met geaarde oppervlakken loopt u een groter risico op een elektrische schok.

c) Stel het elektrisch gereedschap niet bloot aan regen of vochtige omstandigheden.

Het risico op een elektrische schok wordt vergroot wanneer er water in het elektrisch gereedschap terechtkomt.

d) Behandel het snoer voorzichtig. Draag het gereedschap nooit door dit bij het snoer vast te houden. Trek niet aan het snoer wanneer u de stekker uit het stopcontact wilt halen.

Houd het snoer uit de buurt van warmtebronnen, olie, scherpe randen of bewegende onderdelen. Een beschadigd of verward snoer verhoogt het risico op een elektrische schok.

e) Gebruik buitenshuis een verlengsnoer dat specifiek geschikt is voor het gebruik buiten.

Het gebruik van een snoer dat specifiek geschikt is voor gebruik buitenshuis vermindert het risico op een elektrische schok.

f) Als het elektrisch gereedschap in een vochtige omgeving gebruikt moet worden, dient een voeding met RCD (reststroom-apparaat) beveiliging te worden gebruikt.

Gebruik van een RCD vermindert de kans op een elektrische schok.

3) Persoonlijke veiligheid

a) Blijf waakzaam, let voortdurend op uw werk en gebruik uw gezond verstand wanneer u elektrisch gereedschap gebruikt.

Gebruik geen elektrisch gereedschap wanneer u moe bent of onder invloed van drugs, alcohol of medicijnen.

Eén moment van onoplettendheid kan in ernstig lichamelijk letsel resulteren.

b) Gebruik persoonlijke beschermingsmiddelen. Draag altijd oogbescherming.

Beschermingsmiddelen zoals stofmaskers, niet-glijdende veiligheidsschoenen, een helm of oorbescherming vermindert het risico op lichamelijk letsel.

c) Voorkom dat het gereedschap per ongeluk kan starten. Controleer of de schakelaar in de uit stand staat voordat u de voeding en/of de accu aansluit, het gereedschap oppakt of gaat dragen.

Zorg ervoor dat u tijdens het verplaatsen van het elektrisch gereedschap uw vingers uit de buurt van de schakelaar houdt en sluit de stroombron niet aan terwijl de schakelaar op aan staat om ongelukken te vermijden.

d) Verwijder sleutels en moersleutels uit het gereedschap voordat u het elektrisch gereedschap aanzet.

Een (moer-)sleutel die op een bewegend onderdeel van het elektrisch gereedschap bevestigd is kan in lichamelijk letsel resulteren.

e) Reik niet te ver. Zorg ervoor dat u te allen tijde stevig staat en uw evenwicht behoudt.

Op deze manier heeft u tijdens een onverwachte situatie meer controle over het elektrisch gereedschap.

f) Draag geen loszittende kleding of sieraden. Houd uw haar, kleding en handschoenen uit de buurt van bewegende onderdelen.

Loszittende kleding, sieraden en lang haar kunnen in de bewegende onderdelen verstrikt raken.

g) Indien het elektrisch gereedschap van een aansluiting voor stofafzuiging is voorzien dan dient u ervoor te zorgen dat de stofafzuiging aangesloten en op de juiste manier gebruikt wordt.

Het gebruik van stofafzuiging vermindert eventuele stofgerelateerde risico's.

4) Bediening en onderhoud van elektrisch gereedschap

a) Het elektrisch gereedschap mag niet geforceerd worden. Gebruik het juiste gereedschap voor het karwei.

U kunt de klus beter en veiliger uitvoeren wanneer u het juiste elektrische gereedschap gebruikt.

b) Gebruik het elektrisch gereedschap niet als de schakelaar niet goed werkt.

Elektrisch gereedschap dat niet via de schakelaar bediend kan worden is gevaarlijk en moet onmiddellijk gerepareerd worden.

c) Haal de stekker uit het stopcontact voordat u de voeding en/of de accu van het elektrisch gereedschap losmaakt, afstellingen verricht, accessoires verwisselt of voordat u het elektrisch gereedschap opbergt.

Dergelijke preventieve veiligheidsmaatregelen verminderen het risico dat het elektrisch gereedschap per ongeluk opstart.

- d) Berg elektrisch gereedschap buiten het bereik van kinderen op en sta niet toe dat personen die niet bekend zijn met het juiste gebruik van het gereedschap of deze voorschriften dit elektrisch gereedschap gebruiken.**
Elektrisch gereedschap is gevaarlijk in onbevoegde handen.
- e) Het elektrisch gereedschap moet regelmatig onderhouden worden. Controleer het gereedschap op een foutieve uitlijning, vastgelopen of defecte bewegende onderdelen en andere problemen die van invloed zijn op de juiste werking van het gereedschap. Indien het gereedschap defect of beschadigd is moet het gerepareerd worden voordat u het gereedschap opnieuw gebruikt.**
Slecht onderhouden elektrisch gereedschap is verantwoordelijk voor een groot aantal doe-het-zelf ongelukken.
- f) Houd snijwerktuigen scherp en schoon.**
Goed onderhouden snijwerktuigen met scherpe snijranden lopen minder snel vast en zijn gemakkelijker in het gebruik.
- g) Elektrisch gereedschap, toebehoren, bits enz. moeten in overeenstemming met deze instructies worden gebruikt waarbij de werkomstandigheden en het werk in overweging moeten worden genomen.**
Gebruik van het elektrisch gereedschap voor andere doeleinden dan waarvoor het is bedoeld, kan resulteren in een gevaarlijke situatie.
- 5) Onderhoudsbeurt**
- a) Het gereedschap mag uitsluitend door bevoegd onderhoudspersoneel worden onderhouden die authentieke onderdelen gebruikt.**
Hierdoor kunt u erop aan dat de veiligheid van het elektrisch gereedschap behouden blijft.

VOORZORGMAATREGELEN

Houd kinderen en kwetsbare personen op een afstand.

Het gereedschap moet na gebruik buiten het bereik van kinderen en andere kwetsbare personen worden opgeborgen.

VEILIGHEIDSWAARSCHUWINGEN VOOR HET HETELUCHTPISTOOL

WAARSCHUWING

- Dit gereedschap mag niet worden gebruikt door personen (waaronder kinderen) met verminderde lichamelijke, zintuiglijke of mentale capaciteiten, of personen met gebrekkige algemene kennis of ervaring, mits er toezicht is of mits de personen de vereiste instructies betreffende het gebruik van het gereedschap hebben gekregen door iemand die verantwoordelijk is voor hun veiligheid.
- Zorg dat er toezicht is wanneer er kinderen in de buurt zijn om te voorkomen dat zij met het gereedschap spelen.
- Als het gereedschap niet zorgvuldig wordt gebruikt kan er brand uitbreken, dus:
Wees voorzichtig bij gebruik van het gereedschap op plaatsen met brandbare materialen.
Richt het gereedschap niet gedurende langere tijd op dezelfde plaats.

Gebruik het gereedschap niet in een omgeving waarin een explosie kan ontstaan.

Houd er rekening mee dat de hitte kan worden overgebracht op brandbare materialen die buiten uw zicht zijn.

Zet het gereedschap na gebruik op de standaard en laat het gereedschap afkoelen alvorens het op te bergen.

Laat het gereedschap niet onbeheerd achter terwijl dit in gebruik is.

- Raak het gereedschap en de stroomstekker niet met natte handen aan.

Wanneer dit wel wordt gedaan, bestaat er kans op een elektrische schok.

- Controleer zorgvuldig de werkplek voordat u begint en gebruik het gereedschap niet als de veiligheid niet gewaarborgd is.

Indien dit wel wordt gedaan, bestaat er kans op ontbranding van brandbare materialen die mogelijk niet zichtbaar zijn (bijv. in kasten, plafonds, vloeren of holle ruimten).

- Ga niet onder het gereedschap staan wanneer u dit op hoge plaatsen gebruikt.

Let er ook op dat het stroomsnoer nergens aan blijft hangen of dat er hard aan wordt getrokken.

Wanneer dit niet wordt gedaan, bestaat er kans op een ongeluk.

- Blaas de hete lucht niet rechtstreeks op personen of dieren. Kijk niet in het mondstuk. Gebruik het gereedschap onder geen enkele omstandigheid als haardroger.

Wanneer dit wel wordt gedaan, bestaat er kans op een ongeluk of letsel.

- Er zijn gevallen waarbij zeer giftige gassen kunnen vrijkomen als het gereedschap op plastic, lakwerk of dergelijke materialen wordt gebruikt.

Zorg dat de werkplek altijd goed geventileerd is en draag een stofmasker.

- Blaas de hete lucht voorzichtig terwijl u het heteluchtpistool omhoog, omlaag, naar links en naar rechts beweegt.

Wanneer het gereedschap voortdurend op een plaats wordt gericht, kan dit resulteren in rookontwikkeling of brand.

- Controleer het gereedschap op beschadiging, barsten of vervorming wanneer u het per ongeluk laat vallen of als het aan harde stoten wordt blootgesteld.

Beschadiging, barsten of vervorming kan resulteren in letsel.

- Stop meteen met het gebruik als het gereedschap niet juist werkt of als er abnormale geluiden of trillingen worden waargenomen en neem contact op met een officieel HIKOKI servicecentrum te laten nakijken en repareren.

Wanneer u het gereedschap blijft gebruiken, bestaat er kans op letsel.

- Ga niet weg van het gereedschap terwijl het ingeschakeld is. Wanneer u dit wel doet, bestaat er kans op een ongeluk.

- Als er tijdens gebruik een stroomonderbreking is (bijv. de stekker raakt los uit het stopcontact, de zekering springt of de stroom valt uit) en het heteluchtpistool stopt, moet u de schakelaar altijd in de stand OFF zetten. Als u de schakelaar in de stand ON laat staan en de stroomvoorziening wordt hervat, kan er brand ontstaan wanneer het gereedschap opnieuw start.

LET OP

- Sommige onderdelen van het bijgeleverde mondstuk zijn scherp, dus gebruik handschoenen wanneer u deze uit de doos haalt en wanneer deze worden bevestigd of losgemaakt.

- De heteluchtuitgang, het uiteinde van het mondstuk en het materiaal dat verhit wordt, zijn zeer heet tijdens en meteen na het gebruik van het gereedschap, dus gebruik handschoenen en raak deze onderdelen niet rechtstreeks aan.
- Gebruik het gereedschap niet in kasten, laden of andere afgesloten ruimten.
Wanneer het gereedschap voortdurend naar één plaats wordt gericht, kan dit resulteren in rookontwikkeling of brand.
- Zorg dat het mondstuk minimaal 5 cm is verwijderd van het voorwerp dat wordt verhit wanneer u het gereedschap gebruikt. Het mondstuk mag ook niet worden afgedekt of op andere wijze worden afgedicht.
Wanneer dit wel wordt gedaan, bestaat er kans op oververhitting van het gereedschap, met een defect tot gevolg.
- Schakel het gereedschap niet herhaaldelijk in en uit. Gebruik het gereedschap ook niet met het stroomsnoer dubbelgevouwen of gedraaid.
Wanneer dit wel wordt gedaan, bestaat er kans op een defect.
- Richt de heteluchtuitgang niet naar beneden meteen na het gebruik.
Wanneer dit wel wordt gedaan, bestaat er kans op oververhitting van het gereedschap, met een defect tot gevolg.

TECHNISCHE GEGEVENS

Voeding	Type	Kan op 50 Hz en 60 Hz enkelfasige stroom worden gebruikt.		
	Spanning	110 V	120 V tot 127 V	220 V tot 240 V
	Nominale stroomsterkte	12,9 A	12,2 A	8,8 A
Opgenomen vermogen		1375 W	1500 W	2000 W
Kapaciteit	Luchtstroomvolume	0,25 m ³ /min tot 0,5 m ³ /min (2-traps schakelaar)		
	Luchtstroomtemperatuur	250 – 500°C 2-traps schakelaar 50°C (Wanneer de afkoelknop wordt gebruikt)	350 – 500°C 2-traps schakelaar 50°C (Wanneer de afkoelknop wordt gebruikt)	450 – 600°C 2-traps schakelaar 50°C (Wanneer de afkoelknop wordt gebruikt)
Motortype		Gelijkstroommotor		
Gewicht		0,57 Kg		

STANDAARD TOEBEHOREN

- Mondstuk (rond).....1
- Mondstuk (vlak).....1
- Mondstuk (gebogen oppervlak).....1
- Mondstuk (glasbeschermer).....1
- Schraper (met handgreep).....1
- Opbergdoos.....1

De standaard toebehoren kunnen afhankelijk van het gebied verschillen.

De standaard toebehoren kunnen zonder nadere aankondiging gewijzigd worden.

TOEPASSINGEN

- Verf verwijderen
- Kleefmiddel zacht maken
- Stopverf uit raamkozijnen verwijderen
- Kunststofpijpen vormen
- Plastic lassen
- Verpakken m.b.v. krimpfolie
- Solderen
- Droogwerkzaamheden
- Ontdooiwerkzaamheden

ALVORENS IN GEBRUIK TE NEMEN

- Netspanning**
Controleer of de netspanning overeenkomt met de stroomvereisten die op het typeplaatje staan.
- Netschakelaar**
Controleer of de netschakelaar op UIT staat.

Als de stekker in het stopcontact wordt gestoken terwijl de netschakelaar op AAN staat, zal het elektrisch gereedschap onmiddellijk beginnen te draaien, met mogelijk een ernstig ongeluk tot gevolg.

3. Verlengsnoer

Als de werkplek niet in de buurt van het stopcontact is, moet u gebruik maken van een verlengsnoer dat voldoende dwarsprofiel en voldoende nominaal vermogen heeft. Het verlengsnoer moet zo kort mogelijk worden gehouden.

BASISFUNCTIES

1. Bediening van de schakelaar en afstelling van de temperatuur (Afb. 1, 2)

Druk de schakelaar omhoog of omlaag voor continuering nadat u uw vinger van de schakelaar heeft genomen.

Druk lichtjes op het uitstekende gedeelte om de schakelaar in de middenstand terug te zetten en het gereedschap uit te schakelen.

De luchtstroomtemperatuur en het luchtstroomvolume kunnen in twee standen worden afgesteld, afhankelijk van de stand waarin de schakelaar staat.

Stand van schakelaar [I]:

- 110 V: 250°C (luchtstroomvolume 0,25 m³)
- 120 V tot 127 V: 350°C (luchtstroomvolume 0,25 m³)
- 220 V tot 240 V: 350°C (luchtstroomvolume 0,25 m³)

Stand van schakelaar [II]:

- 110 V tot 127 V: 500°C (luchtstroomvolume 0,5 m³)
- 220 V tot 240 V: 600°C (luchtstroomvolume 0,5 m³)

Druk op de snelafkoelknop en druk dan op de schakelaar om warme lucht van ongeveer 50°C te blazen bij elk van de luchtstroomvolumes van de schakelaar. Deze functie wordt gebruikt om materiaal af te koelen dat gebruikt wordt voor hitteverpakking en om het mondstuk af te koelen wanneer dit erg heet is na gebruik van het gereedschap.

2. Gebruik van de haak (Afb. 3)

LET OP

- Wanneer het gereedschap naar boven wordt gericht om te werken, moet u ervoor zorgen dat het gereedschap op een stevige ondergrond staat die niet schuin afloopt.
- Hang het gereedschap niet aan uw pols of om uw middel wanneer het mondstuk nog heet is.

Ondersteun het gereedschap stevig wanneer de heteluchtuitgang naar boven is gericht.

Het is ook mogelijk om het gereedschap met een snoer om uw pols enz. te hangen, om te voorkomen dat het valt wanneer u op een hoge plaats enz. werkt.

3. Bevestigen van het mondstuk (Afb. 4)

LET OP

Het mondstuk is zeer heet meteen na gebruik, dus raak het niet aan.

OPMERKING

Wees voorzichtig dat u het mondstuk niet laat vallen.

Vervang het mondstuk door het type dat geschikt is voor het werk dat u gaat uitvoeren.

Steek het bijgeleverde mondstuk stevig in de heteluchtuitgang tot het niet meer verder gaat.

4. Temperatuurinstellingen

WAARSCHUWING

- Gebruik het gereedschap niet in de buurt van vluchtige stoffen (witte spiritus, benzine enz.). Houd de heteluchtuitgang tijdens het gebruik niet te dicht bij uw handen of gezicht.
- De uitgang is zeer heet meteen na gebruik, dus raak deze niet aan. Stel de temperatuur in overeenkomstig het voorwerp dat u wilt verhitten.

Let ook op het omringende materiaal dat tegelijkertijd mee zal worden verhit.

Blaas de hete lucht eerst vanaf een afstand en controleer of er geen veranderingen optreden in het materiaal dat wordt verhit. Breng het gereedschap dan dichterbij totdat de gewenste afstand is verkregen.

Verhitten van ontbrandbare materialen (papier, hout, plastic enz.)

Zet de schakelaar in stand [I] en blaas de hete lucht met het mondstuk op minimaal 10 cm afstand van het voorwerp dat wordt verhit.

Beweeg het uiteinde van het mondstuk voorzichtig omhoog, omlaag, naar links en naar rechts om de hete lucht aan te brengen.

Wanneer de hete lucht continu naar één plaats wordt geblazen, bestaat er kans op vervorming of rookontwikkeling.

Verhitten van niet-ontbrandbare materialen (metaal, steen, beton enz.)

Zet de schakelaar in stand [I] en als er geen problemen zijn kunt u de schakelaar in stand [II] zetten.

Blaas de hete lucht met het mondstuk op minimaal 5 cm afstand van het voorwerp dat wordt verhit.

Wanneer het mondstuk te dichtbij wordt gehouden, bestaat er kans op oververhitting van het gereedschap, met een defect tot gevolg.

WERKVOORBEELD

LET OP

Sommige onderdelen van de bijgeleverde mondstukken zijn scherp, dus gebruik handschoenen wanneer u deze uit de doos verwijdert en wanneer deze worden bevestigd of losgemaakt.

Kies het mondstuk uit dat geschikt is voor het voorwerp dat wordt verhit en de plek die wordt verhit.

1. Verf verwijderen (Afb. 5)

Gebruik het vlakke of het ronde mondstuk om de verf met de hete lucht zacht te maken en verwijder deze dan met de bijgeleverde schraper.

Wanneer de verf te heet wordt gemaakt, kan deze verschroeven en hard worden waardoor het verwijderen moeilijker wordt.

2. Kleefmiddel zacht maken (Afb. 6)

Gebruik het vlakke of het ronde mondstuk om het oppervlak zacht te maken zodat dit gemakkelijk kan worden verwijderd, haal dan een van de randen omhoog en blaas er hete lucht onder, en verwijder daarna het kleefmiddel voorzichtig tot er niets meer is achtergebleven.

3. Hitteverpakking (Afb. 7)

Gebruik het vlakke mondstuk om krimpfolie en krimppuizen door middel van hitte aan te brengen. Het materiaal kan barsten of van kleur veranderen als de hete lucht vanaf een te korte afstand wordt geblazen, dus houd een geschikte afstand aan en let goed op wat er gebeurt.

4. Kunststofpijpen vormen (Afb. 8)

Gebruik het mondstuk (gebogen oppervlak) om de omtrek van de kunststofpijp gelijkmatig te verhitten.

Om te voorkomen dat de binnenzijde van de pijp smaller wordt wanneer deze wordt verbogen enz., doet u zand in de pijp, sluit dan beide uiteinden af en buigt de pijp daarna voorzichtig.

5. Stopverf uit raamkozijnen verwijderen (Afb. 9)

Gebruik het mondstuk (glasbeschermer) om de stopverf met de hete lucht zacht te maken en verwijder de stopverf dan met de bijgeleverde schraper. Het is mogelijk dat het glas barst wanneer de hete lucht er continu op wordt geblazen.

6. Waterleidingen ontdooien (Afb. 10)

Gebruik het mondstuk (gebogen oppervlak) om het bevroren gedeelte vanaf de rand naar het midden te verhitten. Wissel waterleidingen niet met gasleidingen.

Wees voorzichtig dat u de bevroren kunststofgedeelten van de waterleidingen niet beschadigt.

[Voor een effectief gebruik van de snelafkoelknop]

Druk op de snelafkoelknop en druk dan op de schakelaar om warme lucht van ongeveer 50°C te blazen bij elk van de luchtstroomvolumes van de schakelaar.

Deze functie wordt gebruikt om materiaal af te koelen dat gebruikt wordt voor hitteverpakking en om het mondstuk af te koelen wanneer dit erg heet is na gebruik van het heteluchtpistool.

ONDERHOUD EN INSPECTIE

1. Inspecteren van de bevestigingsschroeven

Inspecteer regelmatig alle bevestigingsschroeven en zorg ervoor dat deze stevig zijn vastgedraaid. Als een van de Schroeven loszit, moet u deze meteen stevig vastdraaien. Wanneer dit niet wordt gedaan, kan een zeer gevaarlijke situatie ontstaan.

2. Onderhoud van de motor

De wikkeling van de motor is het "hart" van het elektrische gereedschap.

Zorg dat geen verontreinigingen, olie of water in de inlaat terechtkomen.

3. Vervangen van het stroomsnoer

Als het stroomsnoer vervangen moet worden, dient u dit door een officieel HiKOKI servicecentrum te laten doen om eventuele veiligheidsrisico's te voorkomen.

4. Reinigen van de behuizing

Gebruik een zachte droge doek, of een doek met zeepwater wanneer de behuizing bevuild is. Gebruik geen vloeistoffen met chloor,verdunner of benzine om te voorkomen dat het plastic smelt.

5. Lijst vervangingsonderdelen

LET OP

Reparatie, modificatie en inspectie van HiKOKI elektrisch gereedschap dient te worden uitgevoerd door een erkend HiKOKI Service-centrum.

Deze Onderdelenlijst komt van pas wanneer u deze samen met het gereedschap aanbiedt bij het erkende HiKOKI Service-centrum wanneer u om reparatie of ander onderhoud verzoekt.

Bij gebruik en onderhoud van elektrisch gereedschap dienen de in het land waar u zich bevindt geldende veiligheidsregelgeving en veiligheidsstandaarden strikt te worden opgevolgd.

MODIFICATIES

HiKOKI elektrisch gereedschap wordt voortdurend verbeterd en gewijzigd teneinde gebruik te kunnen maken van de nieuwste technische ontwikkelingen.

Daarom is mogelijk dat sommige onderdelen zonder voorafgaande kennisgeving gewijzigd worden.

GARANTIE

De garantie op het elektrisch gereedschap van HiKOKI is in overeenstemming met de wettelijke/landspecifieke richtlijnen. Deze garantie dekt geen defecten of schade als gevolg van foutief gebruik, misbruik of normale slijtage. In geval van klachten verzoeken wij u het elektrisch gereedschap samen met het GARANTIECERTIFICAAT dat u achterin deze handleiding aantreft naar een erkend servicecentrum van HiKOKI te sturen. Indien door de gebruiker de machine wordt gedemonteerd vervalt de aanspraak op garantie.

OPMERKING

Op grond van het voortdurende research en ontwikkelingsprogramma van HiKOKI zijn veranderingen van de hierin genoemde technische opgaven voorbehouden.

ADVERTENCIAS DE SEGURIDAD GENERAL DE LA HERRAMIENTA ELÉCTRICA

⚠ ADVERTENCIA

Lea todas las instrucciones y advertencias de seguridad.

Si no se siguen las advertencias e instrucciones, podría producirse una descarga eléctrica, un incendio y/o daños graves.

Guarde todas las advertencias e instrucciones para futura referencia.

El término "herramienta eléctrica" en las advertencias hace referencia a la herramienta eléctrica que funciona con la red de suministro (con cable) o a la herramienta eléctrica que funciona con pilas (sin cable).

1) Seguridad del área de trabajo

a) Mantenga la zona de trabajo limpia y bien iluminada.

Las zonas desordenadas u oscuras pueden provocar accidentes.

b) No utilice las herramientas eléctricas en entornos explosivos como, por ejemplo, en presencia de líquidos inflamables, gases o polvo.

Las herramientas eléctricas crean chispas que pueden inflamar el polvo o los humos.

c) Mantenga a los niños y transeúntes alejados cuando utilice una herramienta eléctrica.

Las distracciones pueden hacer que pierda el control.

2) Seguridad eléctrica

a) Los enchufes de las herramientas eléctricas tienen que ser adecuados a la toma de corriente.

No modifique el enchufe.

No utilice enchufes adaptadores con herramientas eléctricas conectadas a tierra.

Si no se modifican los enchufes y se utilizan tomas de corriente adecuadas se reducirá el riesgo de descarga eléctrica.

b) Evite el contacto corporal con superficies conectadas a tierra como tuberías, radiadores y frigoríficos.

Hay mayor riesgo de descarga eléctrica si su cuerpo está en contacto con el suelo.

c) No exponga las herramientas eléctricas a la lluvia o a la humedad.

La entrada de agua en una herramienta eléctrica aumentará el riesgo de descarga eléctrica.

d) No utilice el cable incorrectamente. No utilice el cable para transportar, tirar de la herramienta eléctrica o desenchufarla.

Mantenga el cable alejado del calor, del aceite, de bordes afilados o piezas móviles.

Los cables dañados o enredados aumentan el riesgo de descarga eléctrica.

e) Cuando utilice una herramienta eléctrica al aire libre, utilice un cable prolongador adecuado para utilizarse al aire libre.

La utilización de un cable adecuado para usarse al aire libre reduce el riesgo de descarga eléctrica.

f) Si no se puede evitar el uso de una herramienta eléctrica en un lugar húmedo, utilice un suministro protegido mediante un dispositivo de corriente residual (RCD).

El uso de un RCD reduce el riesgo de descarga eléctrica.

3) Seguridad personal

a) Esté atento, preste atención a lo que hace y utilice el sentido común cuando utilice una herramienta eléctrica.

No utilice una herramienta eléctrica cuando esté cansado o esté bajo la influencia de drogas, alcohol o medicación.

La distracción momentánea cuando utiliza herramientas eléctricas puede dar lugar a importantes daños personales.

b) Utilice un equipo de protección. Utilice siempre una protección ocular.

El equipo de protección como máscara para el polvo, zapatos de seguridad antideslizantes, casco o protección para oídos utilizado para condiciones adecuadas reducirá los daños personales.

c) Evite un inicio involuntario. Asegúrese de que el interruptor está en "off" antes de conectar la herramienta a una fuente de alimentación y/o batería, cogérla o transportarla.

El transporte de herramientas eléctricas con el dedo en el interruptor o el encendido de herramientas eléctricas con el interruptor encendido puede provocar accidentes.

d) Retire las llaves de ajuste antes de encender la herramienta eléctrica.

Si se deja una llave en una pieza giratoria de la herramienta eléctrica podrían producirse daños personales.

e) No se extralimite. Mantenga un equilibrio adecuado en todo momento.

Esto permite un mayor control de la herramienta eléctrica en situaciones inesperadas.

f) Vístase adecuadamente. No lleve prendas sueltas o joyas. Mantenga el pelo, la ropa y los guantes alejados de las piezas móviles.

La ropa suelta, las joyas y el pelo largo pueden pillarse en las piezas móviles.

g) Si se proporcionan dispositivos para la conexión de extracción de polvo e instalaciones de recogida, asegúrese de que están conectados y se utilizan adecuadamente.

La utilización de un sistema de recogida de polvo puede reducir los riesgos relacionados con el polvo.

4) Utilización y mantenimiento de las herramientas eléctricas

a) No fuerce la herramienta eléctrica. Utilice la herramienta eléctrica correcta para su aplicación.

La herramienta eléctrica correcta trabajará mejor y de forma más segura si se utiliza a la velocidad para la que fue diseñada.

b) No utilice la herramienta eléctrica si el interruptor no la enciende y apaga.

Las herramientas eléctricas que no pueden controlarse con el interruptor son peligrosas y deben repararse.

c) Desconecte el enchufe de la fuente eléctrica y/o la batería de la herramienta eléctrica antes de hacer ajustes, cambiar accesorios o almacenar herramientas eléctricas.

Estas medidas de seguridad preventivas reducen el riesgo de que la herramienta eléctrica se ponga en marcha accidentalmente.

d) Guarde las herramientas eléctricas que no se utilicen para que no las cojan los niños y no permita que utilicen las herramientas eléctricas personas no familiarizadas con las mismas o con estas instrucciones.

Las herramientas eléctricas son peligrosas si son utilizadas por usuarios sin formación.

- e) **Mantenimiento de las herramientas eléctricas.** Compruebe si las piezas móviles están mal alineadas o unidas, si hay alguna pieza rota u otra condición que pudiera afectar al funcionamiento de las herramientas eléctricas. Si la herramienta eléctrica está dañada, llévela a reparar antes de utilizarla.
Se producen muchos accidentes por no realizar un mantenimiento correcto de las herramientas eléctricas.
- f) **Mantenga las herramientas de corte afiladas y limpias.**
Las herramientas de corte correctamente mantenidas con los bordes de corte afilados son más fáciles de controlar.
- g) **Utilice la herramienta eléctrica, los accesorios y las brocas de la herramienta, etc. de acuerdo con estas instrucciones, teniendo en cuenta las condiciones laborales y el trabajo que se va a realizar.**
La utilización de la herramienta eléctrica para operaciones diferentes a aquellas pretendidas podría dar lugar a una situación peligrosa.
- 5) **Revisión**
- a) **Lleve su herramienta a que la revise un experto cualificado que utilice sólo piezas de repuesto idénticas.**
Esto garantizará el mantenimiento de la seguridad de la herramienta eléctrica.

PRECAUCIÓN

Mantenga a los niños y a las personas enfermas alejadas. Cuando no se utilicen, las herramientas deben almacenarse fuera del alcance de los niños y de las personas enfermas.

ADVERTENCIAS DE SEGURIDAD DEL DECAPADOR DE AIRE CALIENTE

ADVERTENCIA

- Esta herramienta no debe ser utilizada por personas (incluidos niños) con capacidades físicas, sensoriales o mentales reducidas, o sin experiencia y conocimiento, salvo bajo supervisión o si han recibido instrucciones por parte de una persona responsable de su seguridad.
- Deberá supervisarse que los niños no jueguen con la herramienta.
- Podría producirse un incendio si la herramienta no se utiliza con cuidado. Por lo tanto:
Tenga cuidado cuando la utilice en lugares donde haya materiales combustibles.
No la aplique en el mismo lugar durante mucho tiempo.
No la utilice en una atmósfera explosiva.
Tenga en cuenta que el calor puede propagarse a materiales combustibles fuera del alcance de nuestra vista.
Coloque la herramienta en su soporte después de utilizarla y deje que se enfríe antes de guardarla.
Cuando se utilice la herramienta, deberá supervisarla en todo momento.
- No toque la herramienta o toque el enchufe con las manos mojadas.
De lo contrario podría producirse una descarga eléctrica.
- Compruebe siempre el área de trabajo antes de utilizarlo y no use la herramienta si la seguridad no se puede garantizar.
De lo contrario los objetos inflamables tapados o colocados detrás de zonas invisibles (fundas, techos, suelos, zonas huecas) podrían incendiarse.

- No se coloque debajo cuando utilice la herramienta en lugares elevados.
Asimismo, no pille el cable con nada ni deje que se tire de él.
De lo contrario podrían producirse accidentes.
- No dirija el aire caliente directamente hacia personas o animales. No mire en la boquilla. No lo utilice como secador de pelo bajo ninguna circunstancia.
De lo contrario podrían producirse accidentes o lesiones.
- Puede que se emita gas altamente tóxico si se utiliza sobre plástico, laca o materiales similares.
Compruebe siempre que el área de trabajo está completamente ventilada y utilice una máscara de protección contra el polvo.
- Aplique calor suavemente mientras mueve el decapador de aire caliente hacia arriba, hacia abajo, hacia la izquierda y hacia la derecha.
Si se apunta constantemente a un único lugar podría producirse humo o un incendio.
- Si se cae accidentalmente o se golpea, compruebe que la herramienta no presenta daños, grietas o deformaciones.
Los daños, las grietas y las deformaciones podrían provocar lesiones.
- Detenga la operación inmediatamente si la herramienta no funciona correctamente o si se observan ruidos o vibraciones anormales y póngase en contacto con un Centro de Servicios Autorizado HiKOKI para que lo inspeccionen y reparen.
Si sigue utilizándose podrían producirse lesiones.
- No se aleje de la unidad cuando esté encendida. De lo contrario podrían producirse accidentes.
- Si durante su uso se produce un corte de corriente (ej., se sale el enchufe, el disyuntor se cae, se produce un apagón...) y el ventilador del decapador de aire caliente se para, coloque el interruptor en OFF. Si el interruptor se deja en ON, cuando la corriente se reanude, el reinicio del ventilador podría producir un incendio.

PRECAUCIÓN

- Las piezas de la boquilla suministrada están afiladas. Utilice guantes cuando las extraiga de la funda y cuando las instale o desinstale.
- La boquilla de emisión de aire caliente, la punta de la boquilla y el material calentado están extremadamente calientes durante la utilización de la herramienta y justo después de su uso. Utilice guantes y evite tocarlos directamente.
- No utilice cajas internas, cajones u otros espacios cerrados.
Si se apunta constantemente a un único lugar podría producirse humo o un incendio.
- Asegúrese de que la boquilla está al menos a 5 cm del objeto que vaya a calentarse cuando utilice la herramienta. Asimismo, no cubra o bloquee la boquilla. De lo contrario el decapador de aire caliente podría recalentarse, causando fallos.
- No encienda y apague la herramienta repetidamente. Asimismo, no la utilice con el cable eléctrico doblado o torcido.
De lo contrario podrían producirse fallos.
- No dirija la boquilla de emisión de aire caliente hacia abajo inmediatamente después de su uso.
De lo contrario el decapador de aire caliente podría recalentarse, causando fallos.

ESPECIFICACIONES

Alimentación	Tipo	Puede utilizarse con corriente de fase única de 50Hz y 60Hz.		
	Tensión	110 V	120 V a 127 V	220 V a 240 V
	Corriente eléctrica nominal	12,9 A	12,2 A	8,8 A
Potencia absorbida		1375 W	1500 W	2000 W
Capacidad	Volumen del aire	0,25 m ³ /min a 0,5 m ³ /min (interruptor de 2 fases)		
	Temperatura del aire	250 – 500°C Interruptor de 2 fases 50°C (Cuando se utiliza el botón de enfriamiento)	350 – 500°C Interruptor de 2 fases 50°C (Cuando se utiliza el botón de enfriamiento)	450 – 600°C Interruptor de 2 fases 50°C (Cuando se utiliza el botón de enfriamiento)
Tipo de motor		Motor de corriente continua		
Peso		0,57 Kg		

ACCESORIOS ESTÁNDAR

- ① Boquilla (redonda).....1
- ② Boquilla (plana)1
- ③ Boquilla (superficie curva)1
- ④ Boquilla (protector de cristal).....1
- ⑤ Raspador (con empuñadura).....1
- ⑥ Funda1

Los accesorios estándar están sujetos a cambio por área.
Los accesorios estándar están sujetos a cambio sin previo aviso.

APLICACIÓN

- Levantamiento de pintura
- Reblandecimiento de adhesivo
- Eliminación de masilla en marcos de ventana
- Formación de tubos de resina
- Soldado de plástico
- Envoltura de calor utilizando plástico termorretráctil.
- Soldadura
- Trabajo de secado
- Trabajo de descongelación

ANTES DE LA OPERACIÓN

1. Alimentación

Compruebe que la alimentación que se utiliza se ajusta a los requisitos eléctricos especificados en la placa de identificación del producto.

2. Interruptor de encendido

Compruebe que el interruptor de encendido está en posición de apagado (OFF).

Si el enchufe está conectado a un receptáculo cuando el interruptor de encendido está en posición de encendido (ON), la herramienta eléctrica comenzará a funcionar inmediatamente, lo que podría causar un grave accidente.

3. Alargador

Cuando el área de trabajo se retira de la alimentación, utilice un alargador de grosor suficiente y capacidad nominal. El alargador deberá mantenerse lo más corto posible.

FUNCIONES BÁSICAS

1. Operaciones del interruptor y ajustes de temperatura (Fig. 1, 2)

Presione el interruptor hacia arriba o hacia abajo para permitir un funcionamiento continuo incluso cuando retire el dedo.

Presione el saliente ligeramente para volver a colocar el interruptor en la posición central y apague el aparato. La temperatura y el volumen del aire pueden ajustarse en dos fases según el modo en que se ajuste el interruptor.

Posición del interruptor [I]:

- 110 V: 250°C (volumen del aire 0,25 m³)
- 120 V a 127 V: 350°C (volumen del aire 0,25 m³)
- 220 V a 240 V: 350°C (volumen del aire 0,25 m³)

Posición del interruptor [II]:

- 110 V a 127 V: 500°C (volumen del aire 0,5 m³)
- 220 V a 240 V: 600°C (volumen del aire 0,5 m³)

Presione el botón de enfriamiento rápido y el interruptor del aire caliente a 50 °C aproximadamente para cada volumen de aire del interruptor.

Esto se utiliza para enfriar rápidamente el material termorretráctil y enfriar la boquilla cuando alcanza altas temperaturas tras utilizar la herramienta.

2. Utilización del gancho (Fig.3)

PRECAUCIÓN

- Cuando dirija la herramienta hacia arriba para trabajar, compruebe que está colocada sobre un bloque estable que no se inclina.
- No se cuelgue la herramienta de la muñeca cuando se desplace con la boquilla todavía caliente.

Sujete la herramienta firmemente cuando apunte la boquilla de emisión de aire caliente hacia arriba.

Asimismo, puede colgarse la herramienta de la muñeca, etc., con un cordón para evitar que se caiga cuando trabaje en lugares elevados.

3. Colocación de la boquilla (Fig. 4)

PRECAUCIÓN

La boquilla está extremadamente caliente justo después de su uso. No la toque.

NOTA:

No deje que la boquilla se caiga.

Sustituya la boquilla por un tipo que sea adecuado para el trabajo que esté realizando.

Introduzca la boquilla facilitada firmemente en la boquilla de emisión de aire caliente lo máximo posible.

4. Ajustes de temperatura

ADVERTENCIA

- No utilice la herramienta cerca de sustancias volátiles (disolvente, gasolina, etc.)
- No se acerque a las manos o a la cara la boquilla de emisión de aire caliente cuando la esté utilizando. La boquilla está extremadamente caliente justo después de su uso. No la toque.

Ajuste la temperatura en función del objeto que vaya a calentar.

Asimismo, preste atención al material de alrededor que se calentará al mismo tiempo.

En primer lugar, aplique aire caliente desde una distancia y compruebe que no hay ningún cambio en el objeto que se está calentando. A continuación, acérquelo hasta que alcance una distancia adecuada.

Calentamiento de sustancias inflamables (papel, madera, plástico, etc.)

Ajuste el interruptor a la posición [I] y aplique el calor con la boquilla a 10 cm como mínimo del objeto que se esté calentando.

Mueva suavemente el extremo de la boquilla hacia arriba, hacia abajo, hacia la izquierda y hacia la derecha para aplicar el calor.

Si se aplica calor constantemente en un lugar podrían producirse malformaciones o humo.

Calentamiento de sustancias no inflamables (metal, piedra, hormigón, etc.)

Ajuste el interruptor a la posición [I] y, si no hay ningún problema, desplácelo a la posición [II].

Aplique el calor con la boquilla a 5 cm por lo menos del objeto que se esté calentando.

Si se mantiene la boquilla demasiado cerca, la herramienta podría recalentarse, causando fallos.

EJEMPLO DE TRABAJO

PRECAUCIÓN

Las piezas de la boquilla suministrada están afiladas. Utilice guantes cuando las extraiga de la funda y cuando las instale o desinstale.

Seleccione la boquilla teniendo en cuenta la forma del objeto que vaya a calentarse y la zona que vaya a calentarse.

1. Levantamiento de pintura (Fig. 5)

Utilice una boquilla (plana) o una boquilla (redonda) para reblandecer la pintura con el aire caliente y, a continuación, retírela con el raspador facilitado.

Observe que un calentamiento excesivo de la pintura podría hacer que ésta se quemara o se endurezca, dificultando su raspado.

2. Reblandecimiento del adhesivo (Fig. 6)

Utilice boquilla (plana) o boquilla (redonda) para reblandecer la superficie y facilitar su desprendimiento y, a continuación, tire de uno de los bordes, sople calor por debajo y levántelo suavemente para que no se quede ninguna parte del adhesivo.

3. Envoltura de calor (Fig. 7)

Utilice la boquilla (plana) para calentar plástico termorretráctil y tubos. El material cambiará de color o se agrietará si se sopla aire caliente encima desde una distancia próxima. Mantenga una distancia adecuada mientras controla el progreso.

4. Formación de tubos de resina (Fig. 8)

Utilice una boquilla (superficie curva) para calentar uniformemente la circunferencia del tubo de resina.

Para evitar que el interior del tubo se estreche cuando lo doble, vierta arena dentro, bloquee ambos extremos y dóblelo con suavidad.

5. Eliminación de masilla de marcos de ventana (Fig. 9)

Utilice la boquilla (protector de cristal) para reblandecer la masilla con calor y, a continuación, retire la masilla con el raspador facilitado.

Observe que el cristal podría agrietarse si se le aplica calor continuamente.

6. Descongelación de tubos de agua (Fig. 10)

Utilice la boquilla (superficie curva) para calentar la zona congelada desde el borde hasta el centro. No confunda los tubos de agua con los tubos de cristal.

Evite dañar las zonas de resina congeladas de los tubos de agua.

[Utilización eficaz del botón de enfriamiento rápido]

Presione el botón de enfriamiento rápido y el interruptor para soplar aire caliente a 50°C aproximadamente para cada volumen de aire del interruptor.

Esto se utiliza para enfriar rápidamente el material termodeformable y enfriar la boquilla cuando alcanza altas temperaturas tras utilizar el decapador de aire caliente.

MANTENIMIENTO E INSPECCIÓN

1. Inspección de los tornillos de montaje

Inspeccione con regularidad todos los tornillos de montaje para comprobar que están bien apretados. Si algún tornillo está flojo, vuelva a apretarlo inmediatamente. De lo contrario podrían producirse graves peligros.

2. Mantenimiento del motor

El devanado de la unidad del motor es el corazón de la herramienta eléctrica.

Evite que entren objetos extraños, aceite o agua en la toma.

3. Sustitución del cable de alimentación

La sustitución del cable de alimentación deberá ser realizada por un Centro de servicio autorizado de HiKOKI para evitar riesgos de seguridad.

4. Limpieza en el exterior

Cuando la herramienta esté sucia, límpiela con un paño suave y seco o con un paño mojado en agua jabonosa. No utilizar disolventes clóricos, gasolina o disolventes parapinturas ya que éstos funden los materiales plásticos.

5. Lista de repuestos

PRECAUCIÓN

La reparación, modificación e inspección de las herramientas eléctricas HiKOKI deben ser realizadas por un Centro de Servicio Autorizado de HiKOKI.

Esta lista de repuestos será de utilidad si es presentada junto con la herramienta al Centro de Servicio Autorizado de HiKOKI, para solicitar la reparación o cualquier otro tipo de mantenimiento.

En el manejo y el mantenimiento de las herramientas eléctricas, se deberán observar las normas y reglamentos vigentes en cada país.

MODIFICACIONES

HiKOKI Power Tools introduce constantemente mejoras y modificaciones para incorporar los últimos avances tecnológicos.

Por consiguiente, algunas partes pueden ser modificadas sin previo aviso.

GARANTÍA

Las herramientas motorizadas de HIKOKI incluye una garantía conforme al reglamento específico legal/nacional. Esta garantía no cubre los defectos o daños debidos al uso incorrecto, el abuso o el desgaste normal. En caso de reclamación, envíe la herramienta motorizada, sin desmontar y con el CERTIFICADO DE GARANTÍA que aparece al final de estas instrucciones de uso, al Centro de Servicio Autorizado de HIKOKI.

NOTA

Debido al programa continuo de investigación y desarrollo de HIKOKI estas especificaciones están sujetas a cambio sin previo aviso.

AVISOS GERAIS DE SEGURANÇA PARA A FERRAMENTA ELÉCTRICA



AVISO

Leia todas as instruções e avisos de segurança

Se não seguir todas as instruções e os avisos, pode provocar um choque eléctrico, incêndio e/ou ferimentos graves.

Guarde todos os avisos e instruções para referência futura.

O termo "ferramenta eléctrica" em todos os avisos refere-se à sua ferramenta ligada à corrente (com fios) ou à ferramenta eléctrica a baterias (sem fios).

1) Segurança da área de trabalho

a) Mantenha a área de trabalho limpa e bem iluminada.

As áreas escuras ou cheias de material são propícias aos acidentes.

b) Não trabalhe com ferramentas eléctricas em ambientes explosivos, tais como na presença de líquidos inflamáveis, gases ou pó.

As ferramentas eléctricas criam faíscas que podem inflamar o pó dos fumos.

c) Mantenha as crianças e outras pessoas afastadas quando trabalhar com uma ferramenta eléctrica.

As distrações podem fazer com que perca controlo.

2) Segurança eléctrica

a) As fichas da ferramenta eléctrica devem corresponder às tomadas.

Nunca modifique a ficha.

Não utilize fichas adaptadoras com ferramentas eléctricas ligadas à terra.

As fichas não modificadas e tomadas correspondentes reduzirão o risco de choques eléctricos.

b) Evite contacto corporal com superfícies ligadas à terra, tais como tubos, radiadores, máquinas e frigoríficos.

Existe um risco acrescido de choque eléctrico se o seu corpo estiver ligado à terra.

c) Não exponha ferramentas eléctricas à chuva ou condições de humidade.

A entrada de água numa ferramenta eléctrica aumentará o risco de choques eléctricos.

d) Não abuse do fio. Nunca utilize o fio para transportar, puxar ou desligar a ferramenta eléctrica.

Mantenha o fio afastado do calor, óleo, margens afiadas ou peças em movimento.

Os fios danificados ou entrelaçados podem aumentar o risco de choques eléctricos.

e) Quando trabalhar com uma ferramenta eléctrica no exterior, utilize uma extensão adequada para utilização exterior.

A utilização de um fio adequado para utilização no exterior reduz o risco de choques eléctricos.

f) Se não for possível evitar a utilização de uma máquina eléctrica num local húmido, utilize uma fonte de alimentação protegida por um dispositivo de corrente residual (RCD).

A utilização de um RCD reduz o risco de choque eléctrico.

3) Segurança pessoal

a) Mantenha-se alerta, esteja atento ao que está a fazer e utilize senso comum quando trabalhar com uma ferramenta eléctrica.

Não utilize uma ferramenta eléctrica quando estiver cansado ou sob a influência de drogas, álcool ou medicamentos.

Um momento de desatenção enquanto trabalha com ferramentas eléctricas pode resultar em ferimentos pessoais graves.

b) Utilize equipamento de protecção pessoal. Utilize sempre protecção para os olhos.

O equipamento de protecção, tal como uma máscara de pó, sapatos de segurança anti-derrapantes, chapéu rígido ou protecção auricular utilizados para condições adequadas reduzirá os ferimentos pessoais.

c) Evite ligar por acidente. Certifique-se de que o interruptor está na posição de desligado antes de ligar a fonte de alimentação e/ou bateria, levantar ou transportar a ferramenta.

Transportar ferramentas eléctricas com o dedo no interruptor ou activar ferramentas que estão com o interruptor ligado é propício a acidentes.

d) Remova qualquer chave de parafusos ou chave-inglesa de regulação antes de ligar a ferramenta.

Uma chave-inglesa ou de parafusos ligada à parte rotativa da ferramenta pode provocar ferimentos pessoais.

e) Não se estique. Mantenha sempre o controlo e equilíbrio adequados.

Isto permite obter um melhor controlo da ferramenta em situações inesperadas.

f) Use vestuário adequado. Não use roupas largas ou jóias. Mantenha o cabelo, roupas e luvas afastados das peças móveis.

As roupas largas, jóias ou cabelo comprido podem ser apanhados em peças móveis.

g) Se forem fornecidos dispositivos para a ligação de extractores de pó e dispositivos de recolha, certifique-se de que estes estão ligados e são utilizados adequadamente.

A utilização de uma recolha de pó pode reduzir os perigos relacionados com o pó.

4) Utilização da ferramenta e manutenção

a) Não force a ferramenta eléctrica. Utilize a ferramenta correcta para a sua aplicação.

A ferramenta correcta fará o trabalho melhor e com mais segurança à velocidade para a qual foi concebida.

b) Não utilize a ferramenta eléctrica se o interruptor não a ligar ou desligar.

Qualquer ferramenta que não possa ser controlada com o interruptor é perigosa e deve ser reparada.

c) Desligue a ficha da rede antes e/ou a bateria da ferramenta eléctrica antes de efectuar quaisquer regulações, mudar os acessórios ou guardar ferramentas eléctricas.

Tais medidas de segurança de prevenção reduzem o risco de ligar a ferramenta eléctrica acidentalmente.

d) Guarde as ferramentas eléctricas fora do alcance de crianças e não permita que pessoas não habituadas à ferramenta eléctrica ou estas instruções trabalhem com a ferramenta.

As ferramentas eléctricas são perigosas nas mãos de utilizadores inexperientes.

e) Efectue a manutenção de ferramentas eléctricas. Verifique a existência de desalinhamentos ou dobragens das peças móveis, quebras de peças e quaisquer outras condições que possam afectar o funcionamento das ferramentas eléctricas.

Se danificada, mande reparar a ferramenta antes de utilizar.

Muitos acidentes são causados por ferramentas com má manutenção.

f) Mantenha as ferramentas de corte afiadas e limpas.

As ferramentas de corte com uma manutenção adequada e extremidades afiadas são menos propensas a dobrar e mais fáceis de controlar.

g) Utilize a ferramenta eléctrica, acessórios e pontas de ferramentas, etc., de acordo com estas instruções, tomando em consideração as condições de trabalho e o trabalho a ser efectuado.

A utilização de uma ferramenta eléctrica para operações diferentes das concebidas pode resultar num mau funcionamento.

5) Manutenção

a) Faça a manutenção da sua ferramenta eléctrica por um pessoal de reparação qualificado e utilize apenas peças de substituição idênticas.

Isto garantirá que a segurança da ferramenta eléctrica é mantida.

AVISO

Mantenha afastadas das crianças e pessoas doentes. Quando não estiverem a ser utilizadas, as ferramentas devem ser guardadas fora do alcance de crianças e pessoas doentes.

ADVERTÊNCIAS DE SEGURANÇA DO SOPRADOR DE AR QUENTE

AVISO

1. Esta ferramenta não se destina a ser utilizada por pessoas (incluindo crianças) com capacidades físicas, sensoriais ou mentais reduzidas, ou com falta de experiência e conhecimento, a menos que sejam supervisionadas ou instruídas sobre a utilização da ferramenta por uma pessoa responsável por sua segurança.
2. Crianças devem ser supervisionados para garantir que não brinquem com a ferramenta.
3. A utilização descuidada da ferramenta pode provocar um incêndio; portanto:
Tome cuidado quando utilizar a ferramenta em lugares em que haja materiais combustíveis.
Não aplique a ferramenta no mesmo lugar durante muito tempo.
Não utilize na presença de uma atmosfera explosiva. Lembre-se que o calor pode ser levado para materiais combustíveis que não se encontram à vista.
Coloque a ferramenta no seu suporte após a utilização e permita que esfrie antes de a armazenar.
Não deixe a ferramenta desatendida durante a utilização.
4. Não utilize a ferramenta ou toque na ficha de alimentação com as mãos molhadas.
Caso contrário, pode resultar em choques eléctricos.
5. Verifique sempre a área de trabalho antes de utilizar e não utilize a ferramenta se a segurança não puder ser garantida.
Caso contrário, pode fazer com que artigos inflamáveis escondidos ou atrás de áreas invisíveis (caixas, tectos, pisos, áreas ocas) se incendiem.
6. Não se coloque debaixo ao utilizar a ferramenta em locais elevados.
Além disso, não permita que o cabo de alimentação fique preso ou seja puxado.
Caso contrário, pode resultar em acidentes.
7. Não aponte o ar quente directamente para pessoas ou animais. Não olhe para dentro do bico. Não utilize, de modo algum, como secador de cabelo.
Caso contrário, pode resultar em acidentes ou ferimentos.

8. Existem casos em que será emitido gás altamente tóxico se for utilizado em materiais de plástico, verniz ou semelhante.

Certifique-se sempre de que a área de trabalho está bem ventilada e use uma máscara anti-poeiras.

9. Aplique calor suavemente enquanto move o soprador de quente para cima, baixo, esquerda e direita. Apontando-o constantemente para um único local pode resultar em fumo ou incêndios.
10. Verifique a ferramenta por danos, fissuras ou deformações caso esta caia ou sofra impactos acidentalmente. Danos, fissuras e deformações podem resultar em ferimentos.
11. Pare imediatamente as operações caso a ferramenta não funcione correctamente ou se forem detectados ruídos ou vibrações anormais e contacte um Centro de Assistência Autorizado HiKOKI para solicitar inspecções e reparações. A utilização contínua pode resultar em ferimentos.
12. Não se afaste da unidade enquanto está ligada. Caso contrário, pode resultar em acidentes.
13. Se, durante a utilização, a electricidade for interrompida, (por exemplo, o cabo de alimentação de alimentação se desligou, o disjuntor de circuito caiu, ocorreu um corte de energia, etc.) e a ventoinha do soprador de ar quente parar, coloque o interruptor na posição OFF. Se o interruptor for deixado na posição ON, quando a energia for restaurada, o reinício da ventoinha pode provocar um incêndio.

PRECAUÇÃO

1. Partes do bico fornecido são pontiagudas, por isso, use luvas ao removê-las da caixa e ao instalá-las ou removê-las.
2. O bico de libertação de ar quente, a ponta do bico e o material aquecido ficam extremamente quentes durante e imediatamente após utilizar a ferramenta, por isso, use luvas e evite tocar-lhes directamente.
3. Não utilize no interior de caixas, gavetas ou outros espaços confinados.
Apontando-o constantemente para um único local pode resultar em fumo ou incêndios.
4. Certifique-se de que o bico está, no mínimo, a 5cm do item a ser aquecido ao utilizar a ferramenta. Além disso, não cubra nem bloqueie o bico.
Caso contrário, pode resultar no sobreaquecimento do soprador de ar quente, provocando avarias.
5. Não ligue e desligue repetidamente a ferramenta. Além disso, não utilize a ferramenta com o cabo de alimentação dobrado ou torcido.
Caso contrário, pode resultar em avarias
6. Não aponte o bico de libertação de ar quente para baixo imediatamente após utilização.
Caso contrário, pode resultar no sobreaquecimento da ferramenta, provocando avarias.

ESPECIFICAÇÕES

Fonte de alimentação	Tipo	Pode ser utilizado com corrente monofásica de 50Hz e 60Hz.		
	Tensão	110 V	120 V a 127 V	220 V a 240 V
	Corrente eléctrica nominal	12,9 A	12,2 A	8,8 A
Potência de entrada		1375 W	1500 W	2000 W
Capacidade	Volume de ar	0,25 m³/min a 0,5 m³/min (interruptor de 2 fases)		
	Temperatura do ar	250 – 500°C Interruptor de 2 fases 50°C (Quando o botão de arrefecimento é utilizado.)	350 – 500°C Interruptor de 2 fases 50°C (Quando o botão de arrefecimento é utilizado.)	450 – 600°C Interruptor de 2 fases 50°C (Quando o botão de arrefecimento é utilizado.)
Tipo do motor		Motor de corrente contínua		
Peso		0,57 Kg		

ACESSÓRIOS-PADRÃO

① Bico (redondo).....	1
② Bico (plano).....	2
③ Bico (superfície curva).....	1
④ Bico (protector de vidro).....	1
⑤ Raspador (com punho).....	1
⑥ Caixa.....	1

Os acessórios-padrão estão sujeitos a mudanças por área. Os acessórios-padrão estão sujeitos a mudanças sem aviso prévio.

APLICAÇÕES

- Decapar tinta
- Suavizar adesivo
- Remover betume das armações das janelas
- Moldar tubos de resina
- Soldar plástico
- Envolvimento de calor utilizando película termo-retráctil
- Soldar
- Trabalho de secagem
- Trabalho de descongelação

ANTES DO FUNCIONAMENTO

1. Fonte de alimentação

Certifique-se de que a fonte de alimentação a utilizar está em conformidade com os requisitos de alimentação especificados na placa de características do produto.

2. Interruptor de alimentação

Certifique-se de que o interruptor de alimentação está na posição OFF.

Se a ficha for ligada a uma tomada enquanto o interruptor de alimentação está na posição ON, a ferramenta de alimentação irá começar imediatamente a funcionar, o que pode causar um acidente grave.

3. Cabo de extensão

Quando a área de trabalho é removida da fonte de alimentação, utilize um cabo de extensão de espessura suficiente e potência nominal. O cabo de extensão deve ser mantido o mais curto possível.

FUNÇÕES BÁSICAS

1. Operações do interruptor e ajustes da temperatura (Fig.1, 2)

Prima o interruptor para cima e para baixo para permitir operações contínuas mesmo quando o seu dedo é removido.

Prima ligeiramente a protusão para colocar o interruptor na posição central e desligue a alimentação. A temperatura do ar e o volume do ar podem ser ajustados em duas fases dependendo da forma como o interruptor está definido.

Posição [I] do interruptor:

- 110 V: 250°C (volume do ar 0,25 m³)
- 120 V a 127 V: 350°C (volume do ar 0,25 m³)
- 220 V a 240 V: 350°C (volume do ar 0,25 m³)

Posição [II] do interruptor:

- 110 V a 127 V: 500°C (volume do ar 0,5 m³)
- 220 V a 240 V: 600°C (volume do ar 0,5 m³)

Prima o botão de arrefecimento rápido e prima o interruptor para ventilar ar quente a aproximadamente 50°C para um dos volumes de ar do interruptor. Isto é utilizado para arrefecer rapidamente material distorcido pelo calor e para arrefecer o bico quando atinge altas temperaturas após utilizar o soprador de ar quente.

2. Utilizar o gancho (Fig.3.)

PRECAUÇÃO

- Ao apontar a ferramenta para cima para trabalhar, certifique-se de que está colocado num bloco estável que não inclina.
- Não pendure a ferramenta a partir do seu pulso ou cintura ao deslocar-se com o bico ainda quente.

Suporte a ferramenta ao apontar o bico de libertação de ar quente para cima.

Além disso, é possível pendurar o soprador de ar quente a partir de um pulso, etc. com um cabo para evitar que caia ao trabalhar em locais elevados, etc.

3. Instalar o bico (Fig.4.)

PRECAUÇÃO

O bico fica extremamente quente após utilização, por isso, não lhe toque.

NOTA

Certifique-se de que não deixa cair o bico.

Substitua o bico por um tipo adequado para o trabalho a efectuar.

Introduza ao máximo o bico fornecido no bico de libertação de ar quente.

4. Definições de temperatura

AVISO

- Não utilize a ferramenta perto de substâncias voláteis (diluente, gasolina, etc.)
- Não coloque o bico de libertação de ar quente em contacto com as mãos ou rosto durante a utilização. O bico fica extremamente quente após utilização, por isso, não lhe toque.

Defina a temperatura tendo em conta o artigo a aquecer. Além disso, preste atenção ao material em redor que será aquecido ao mesmo tempo.

Primeiro de tudo, aplique o ar quente ao longe e, ao mesmo tempo, certifique-se de que não existem alterações no item a ser aquecido e, de seguida, aproxime até alcançar uma distância adequada.

Aquecer substâncias inflamáveis (papel, madeira, plástico, etc.)

Coloque o interruptor na posição [I] e aplique calor com o bico a, no mínimo, 10cm do item a ser aquecido. Mova suavemente a ponta do bico para cima, baixo, esquerda e direita para aplicar o calor. Aplicar calor constantemente num único local pode resultar em deformações ou no surto de fumo.

Aquecer substâncias não inflamáveis (metal, pedra, cimento, etc.)

Coloque o interruptor na posição [I] e, se não houver problemas, coloque-o na posição [II]. Aplique o calor com o bocal a, no mínimo, 5cm do item a ser aquecido. Segurar o bico demasiado perto, pode resultar no sobreaquecimento da ferramenta, provocando avarias.

EXEMPLO DE TRABALHO

PRECAUÇÃO

Partes dos bicos fornecidos são pontiagudas, por isso, use luvas ao removê-las da caixa e ao instalá-las ou removê-las.

Selecione o bico tendo em conta a forma do item a ser aquecido e a área a ser aquecida.

1. Decapar a tinta (Fig.5)

Utilize o bico (plano) ou bico (redondo) para suavizar a tinta com o ar quente e, de seguida, retire-o com o raspador fornecido.

Atente que aquecer demasiado a tinta pode resultar em aderência prematura e endurecimento, fazendo com que seja difícil de decapar.

2. Suavizar adesivo (Fig.6)

Utilize o bico (plano) ou bico (redondo) para suavizar a superfície e tornar fácil de decapar e, de seguida, puxe uma das extremidades, ventile calor por debaixo e decape suavemente até não restar qualquer adesivo.

3. Envolvimento de calor (Fig.7)

Utilize o bico (plano) para envolver através de calor película termo-retráctil e tubos. O material irá mudar de cor ou quebrar se o ar quente for ventilado a uma curta distância, por isso, mantenha uma distância adequada enquanto controla o progresso.

4. Moldar tubos de resina (Fig.8)

Utilize o bico (superfície curva) para aquecer uniformemente a circunferência do tubo de resina. Para evitar que o interior do tubo fique estreito ao dobrá-lo, etc, encha com areia, bloqueie ambas as extremidades e, de seguida, dobre-o suavemente.

5. Remover betume das armações das janelas (Fig.9)

Utilize o bico (protector de vidro) para suavizar o betume com o calor e, de seguida, retire o betume com o raspador fornecido. Atente que o vidro pode quebrar se for aplicado calor continuamente.

6. Descongelar tubos de água (Fig.10)

Utilize o bico (superfície curva) para aquecer a área congelada da extremidade para o centro. Não confunda tubos de água com tubos de vidro. Evite danificar as áreas de resina congelada nos tubos de água.

[Utilizar eficientemente o botão de arrefecimento rápido]

Prima o botão de arrefecimento rápido e prima o interruptor para ventilar ar quente a aproximadamente 50°C para um dos volumes de ar do interruptor. Isto é utilizado para arrefecer rapidamente material distorcido pelo calor e para arrefecer o bico quando atinge altas temperaturas após utilizar o soprador de ar quente.

MANUTENÇÃO E INSPEÇÃO

1. Inspeccionar os parafusos de montagem

Inspeccione regularmente todos os parafusos de montagem e certifique-se de que estão bem apertados. Caso algum parafuso esteja solto, reaperte-o imediatamente. Caso contrário, pode resultar em perigos graves.

2. Manutenção do motor

A bobinagem do motor é o "coração" da ferramenta eléctrica. Impeça que quaisquer objectos estranhos, óleo ou água entrem na admissão.

3. Substituir o cabo de alimentação

Se for necessária a substituição do cabo de alimentação, esta tem de ser efectuada por um centro de assistência autorizado da HiKOKI de modo a evitar um perigo de segurança.

4. Limpeza externa

Quando o corta-relva estiver manchado, limpe com um pano suave e seco ou um pano humedecido em água com sabão. Não utilize solventes clorídricos, gasolina ou solventes de tinta, pois eles derretem plásticos.

5. Lista de peças para conserto

PRECAUÇÃO

Consertos, modificações e inspeção de Ferramentas Eléctricas da HiKOKI devem ser realizados por uma Oficina Autorizada da HiKOKI.

Esta lista de peças pode ser útil se apresentada com a ferramenta na Oficina Autorizada da HiKOKI ao solicitar conserto ou manutenção.

Na operação e na manutenção das ferramentas eléctricas, devem-se observar as normas de segurança e os padrões prescritos por cada país.

MODIFICAÇÃO

As Ferramentas Eléctricas da HiKOKI estão sempre sendo aperfeiçoadas e modificadas para incorporar os mais recentes avanços tecnológicos.

Dessa forma, algumas peças podem mudar sem aviso prévio.

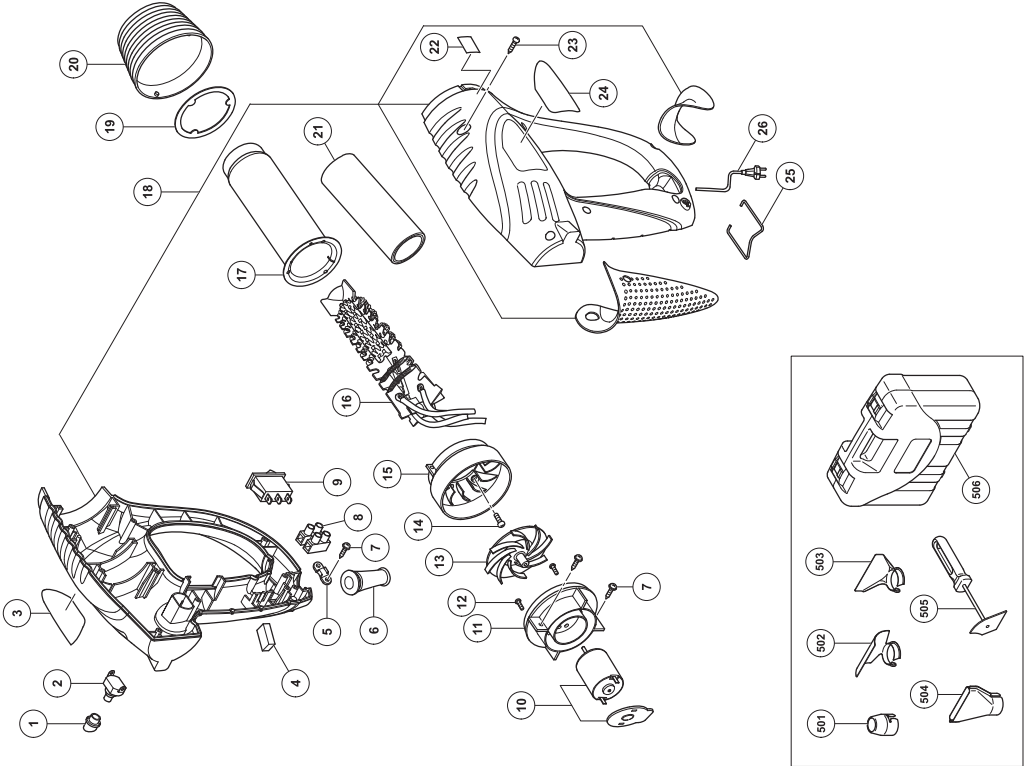
GARANTIA

Garantimos que a HiKOKI Power Tools obedece às respectivas normas específicas estatutárias/de país. Esta garantia não cobre avarias ou danos derivados de má utilização, abuso ou desgaste normal. Em caso de queixa, envie a Ferramenta, não desmontada, juntamente com o CERTIFICADO DE GARANTIA que se encontra no fundo destas instruções de utilização, para um Centro de Serviço Autorizado HiKOKI.

NOTA

Devido ao contínuo programa de pesquisa e desenvolvimento da HiKOKI, as especificações aqui contidas estão sujeitas a mudanças sem aviso prévio.

Item No.	Part Name	QTY
1	SWITCH BUTTON	1
2	PUSHING SWITCH	1
3	BRAND LABEL	1
4	NOISE SUPPRESSOR	1
5	CORD CLIP	1
6	CORD ARMOR	1
7	TAPPING SCREW (W/FLANGE)	4
8	TERMINAL	1
9	SWITCH	1
10	MOTOR PCB ASSY	1
11	MOTOR SUPPORT	1
12	MACHINE SCREW M2.5x4	2
13	FAN	1
14	MACHINE SCREW M3x10	3
15	FAN COVER	1
16	HEATER	1
17	HEATER COVER	1
18	HOUSING (A), (B) SET	1
19	SUPPORT RING	1
20	FRONT COVER	1
21	MICA LINER	1
22	CAUTION LABEL	1
23	TAPPING SCREW D3x16	6
24	NAME PLATE	1
25	HOLDER SUPPORT	1
26	CORD	1
501	NOZZLE (ROUND)	1
502	NOZZLE (CURVED SURFACE)	1
503	NOZZLE (GLASS PROTECTOR)	1
504	NOZZLE (FLAT)	1
505	SCRAPER (WITH GRIP)	1
506	CASE	1



<p>English</p> <p><u>GUARANTEE CERTIFICATE</u></p> <ol style="list-style-type: none"> ① Model No. ② Serial No. ③ Date of Purchase ④ Customer Name and Address ⑤ Dealer Name and Address (Please stamp dealer name and address) 	<p>Nederlands</p> <p><u>GARANTIEBEWIJS</u></p> <ol style="list-style-type: none"> ① Modelnummer ② Serienummer ③ Datum van aankoop ④ Naam en adres van de gebruiker ⑤ Naam en adres van de handelaar (Stempel a.u.b. naam en adres vande de handelaar)
<p>Deutsch</p> <p><u>GARANTIESCHEIN</u></p> <ol style="list-style-type: none"> ① Modell-Nr. ② Serien-Nr. ③ Kaufdatum ④ Name und Anschrift des Kunden ⑤ Name und Anschrift des Händlers (Bitte mit Namen und Anschrift des Handlers abstempeln) 	<p>Español</p> <p><u>CERTIFICADO DE GARANTÍA</u></p> <ol style="list-style-type: none"> ① Número de modelo ② Número de serie ③ Fecha de adquisición ④ Nombre y dirección del cliente ⑤ Nombre y dirección del distribuidor (Se ruega poner el sello del distribuidor con su nombre y dirección)
<p>Français</p> <p><u>CERTIFICAT DE GARANTIE</u></p> <ol style="list-style-type: none"> ① No. de modèle ② No de série ③ Date d'achat ④ Nom et adresse du client ⑤ Nom et adresse du revendeur (Cachet portant le nom et l'adresse du revendeur) 	<p>Português</p> <p><u>CERTIFICADO DE GARANTIA</u></p> <ol style="list-style-type: none"> ① Número do modelo ② Número do série ③ Data de compra ④ Nome e morada do cliente ⑤ Nome e morada do distribuidor (Por favor, carimbe o nome e morada do distribuidor)
<p>Italiano</p> <p><u>CERTIFICATO DI GARANZIA</u></p> <ol style="list-style-type: none"> ① Modello ② N° di serie ③ Data di acquisto ④ Nome e indirizzo dell'acquirente ⑤ Nome e indirizzo del rivenditore (Si prega di apporre il timbro con questi dati) 	



HIKOKI

①	
②	
③	
④	
⑤	



Hikoki Power Tools Deutschland GmbH

Siemensring 34, 47877 Willich, Germany

Tel: +49 2154 49930

Fax: +49 2154 499350

URL: <http://www.hikoki-powertools.de>

Hikoki Power Tools Netherlands B.V.

Brabanthaven 11, 3433 PJ Nieuwegein, The Netherlands

Tel: +31 30 6084040

Fax: +31 30 6067266

URL: <http://www.hikoki-powertools.nl>

Hikoki Power Tools (U.K.) Ltd.

Precedent Drive, Rooksley, Milton Keynes, MK 13, 8PJ,

United Kingdom

Tel: +44 1908 660663

Fax: +44 1908 606642

URL: <http://www.hikoki-powertools.uk>

Hikoki Power Tools France S.A.S.

Parc de l'Eglantier 22, rue des Cerisiers, Lisses-C.E. 1541,

91015 EVRY CEDEX, France

Tel: +33 1 69474949

Fax: +33 1 60861416

URL: <http://www.hikoki-powertools.fr>

Hikoki Power Tools Belgium N.V./S.A.

Koningin Astridlaan 51, B-1780 Wemmel, Belgium

Tel: +32 2 460 1720

Fax: +32 2 460 2542

URL: <http://www.hikoki-powertools.be>

Hikoki Power Tools Italia S.p.A

Via Piave 35, 36077, Altavilla Vicentina (VI), Italy

Tel: +39 0444 548111

Fax: +39 0444 548110

URL: <http://www.hikoki-powertools.it>

Hikoki Power Tools Ibérica, S.A.

C/ Puigbarral, 26-28, Pol. Ind. Can Petit, 08227 Terrassa

(Barcelona), Spain

Tel: +34 93 735 6722

Fax: +34 93 735 7442

URL: <http://www.hikoki-powertools.es>

Hikoki Power Tools Österreich GmbH


IndustrieZentrum NÖ –Süd, Straße 7, Obj. 58/A6 2355

Wiener Neudorf, Austria

Tel: +43 2236 64673/5

Fax: +43 2236 63373

URL: <http://www.hikoki-powertools.at>

<p>English</p> <p>EC DECLARATION OF CONFORMITY</p> <p>We declare under our sole responsibility that Heat Gun, identified by type and specific identification code *1), is in conformity with all relevant requirements of the directives *2) and standards *3). Technical file at *4) – See below. The European Standard Manager at the representative office in Europe is authorized to compile the technical file. The declaration is applicable to the product affixed CE marking.</p>	<p>Nederlands</p> <p>EC VERKLARING VAN CONFORMITEIT</p> <p>Wij verklaren onder onze eigen verantwoordelijkheid dat Hetelucht pistool, geïdentificeerd door het type en de specifieke identificatiecode*1), voldoet aan alle relevante bepalingen van de richtlijnen*2) en normen*3). Technische documentatie bij*4) – zie onder. De Europese Normen Manager bij de vertegenwoordiging in Europa is gemachtigd om het technisch dossier samen te stellen. Deze verklaring is van toepassing op producten voorzien van de CE-markeringen.</p>
<p>Deutsch</p> <p>EG-KONFORMITÄTSERKLÄRUNG</p> <p>Wir erklären in alleiniger Verantwortung, dass das durch den Typ und den spezifischen Identifizierungscode *1) identifizierte Heißluft Gebläse allen einschlägigen Bestimmungen der Richtlinien *2) und Normen *3) entspricht. Technische Unterlagen unter *4) – Siehe unten. Die Leitung der repräsentativen Behörde für europäische Normen und Richtlinien ist berechtigt, die technischen Unterlagen zusammenzustellen. Die Erklärung gilt für die an dem Produkt angebrachte CE-Kennzeichnung.</p>	<p>Español</p> <p>DECLARACIÓN DE CONFORMIDAD DE LA CE</p> <p>Declaramos bajo nuestra única responsabilidad que el Decapador de aire caliente, identificado por tipo y por código de identificación específico *1), está en conformidad con todas las disposiciones correspondientes de las directivas *2) y de las normas *3). Documentación técnica en *4) – Ver a continuación. El Director de Normas Europeas en la oficina de representación en Europa está autorizado para elaborar el expediente técnico. La declaración se aplica al producto con marcas de la CE.</p>
<p>Français</p> <p>DECLARATION DE CONFORMITE CE</p> <p>Nous déclarons sous notre entière responsabilité que le Décapeur thermique, identifié par le type et le code d'identification spécifique *1) est en conformité avec toutes les exigences applicables des directives *2) et des normes *3). Dossier technique en *4) - Voir ci-dessous. Le Gestionnaire des normes européennes du bureau de représentation en Europe est autorisé à constituer le dossier technique. Cette déclaration s'applique aux produits désignés CE.</p>	<p>Português</p> <p>DECLARAÇÃO DE CONFORMIDADE CE</p> <p>Declaramos, sob nossa única e inteira responsabilidade, que Soprador de Ar Quente, identificado por tipo e código de identificação específico *1), está em conformidade com todos os requerimentos relevantes das diretivas *2) e normas *3). Ficheiro técnico em *4) – Consulte abaixo. O Gestor de Normas Europeias no escritório de representação na Europa está autorizado a compilar o ficheiro técnico. A declaração aplica-se aos produtos com marca CE.</p>
<p>Italiano</p> <p>DICHIARAZIONE DI CONFORMITÀ CE</p> <p>Dichiariamo sotto la nostra esclusiva responsabilità che il termosoffiatore, identificato dal tipo e dal codice identificativo specifico *1), è conforme a tutti i requisiti pertinenti delle direttive *2) e degli standard *3). Documentazione tecnica presso *4) – Vedere sotto. Il gestore delle norme europee presso l'ufficio di rappresentanza in Europa è autorizzato a compilare il fascicolo tecnico. La dichiarazione è applicabile ai prodotti cui sono applicati i marchi CE.</p>	
<p>*1) RH600T C346391R</p> <p>*2) 2006/42/EC, 2014/30/EU, 2014/35/EU, 2011/65/EU</p> <p>*3) EN60335-1:2012+A11:2014 EN60335-2-45:2002+A2:2012 EN55014-1:2006+A1:2009+A2:2011 EN55014-2:1997+A1:2001+A2:2008 EN61000-3-2:2014 EN61000-3-3:2013</p>	
<p>*4) Representative office in Europe Hikoki Power Tools Deutschland GmbH Siemensring 34, 47877 Willich, Germany</p> <p>Head office in Japan Koki Holdings Co., Ltd. Shinagawa Intercity Tower A, 15-1, Konan 2-chome, Minato-ku, Tokyo, Japan</p>	<p>29. 6. 2018 Naoto Yamashiro European Standard Manager</p> <p>29. 6. 2018  A. Nakagawa Corporate Officer</p>