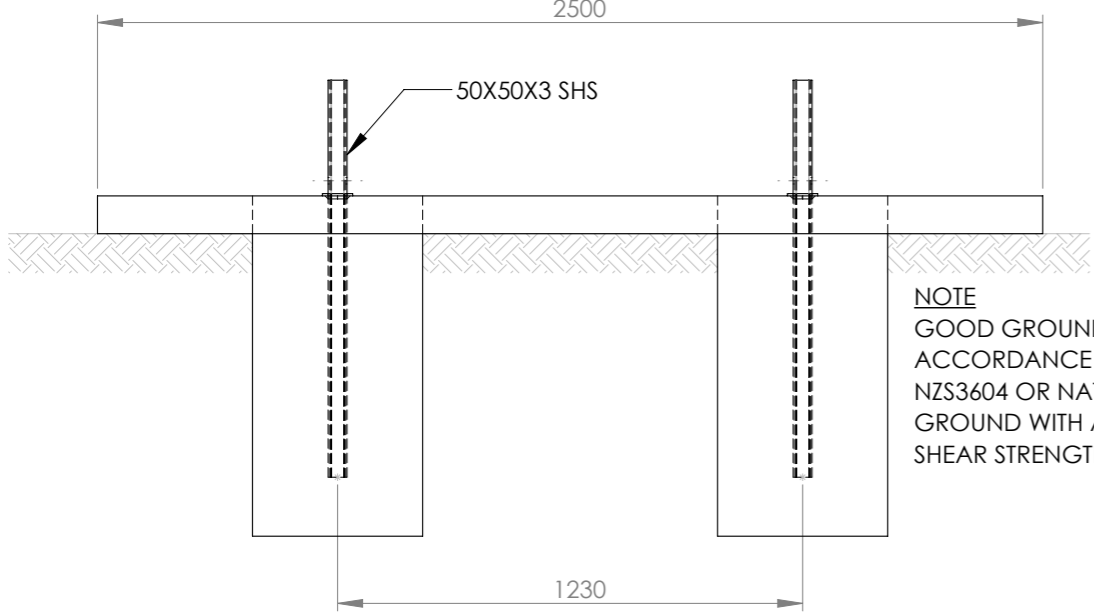
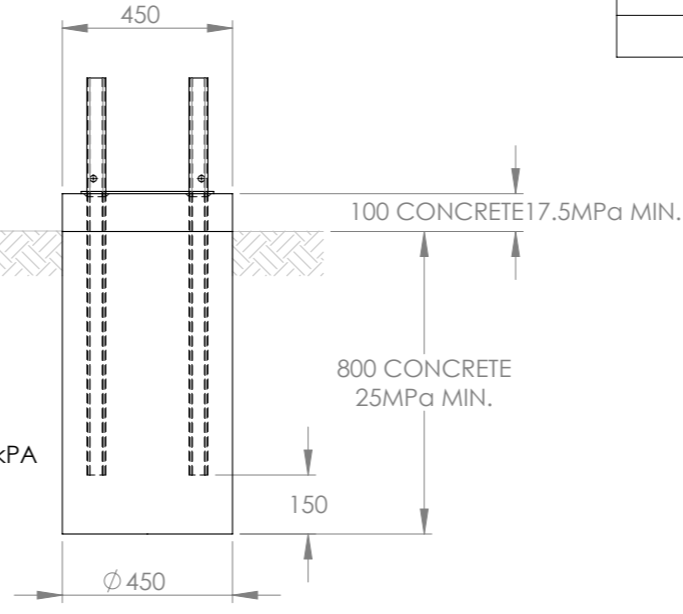


FRONT ELEVATION
SCALE: 1:20 (A3)

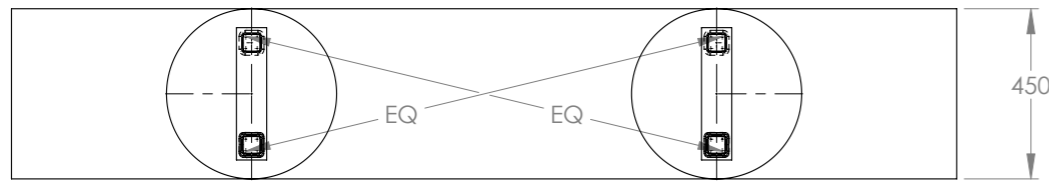


SIDE ELEVATION
SCALE: 1:20 (A3)

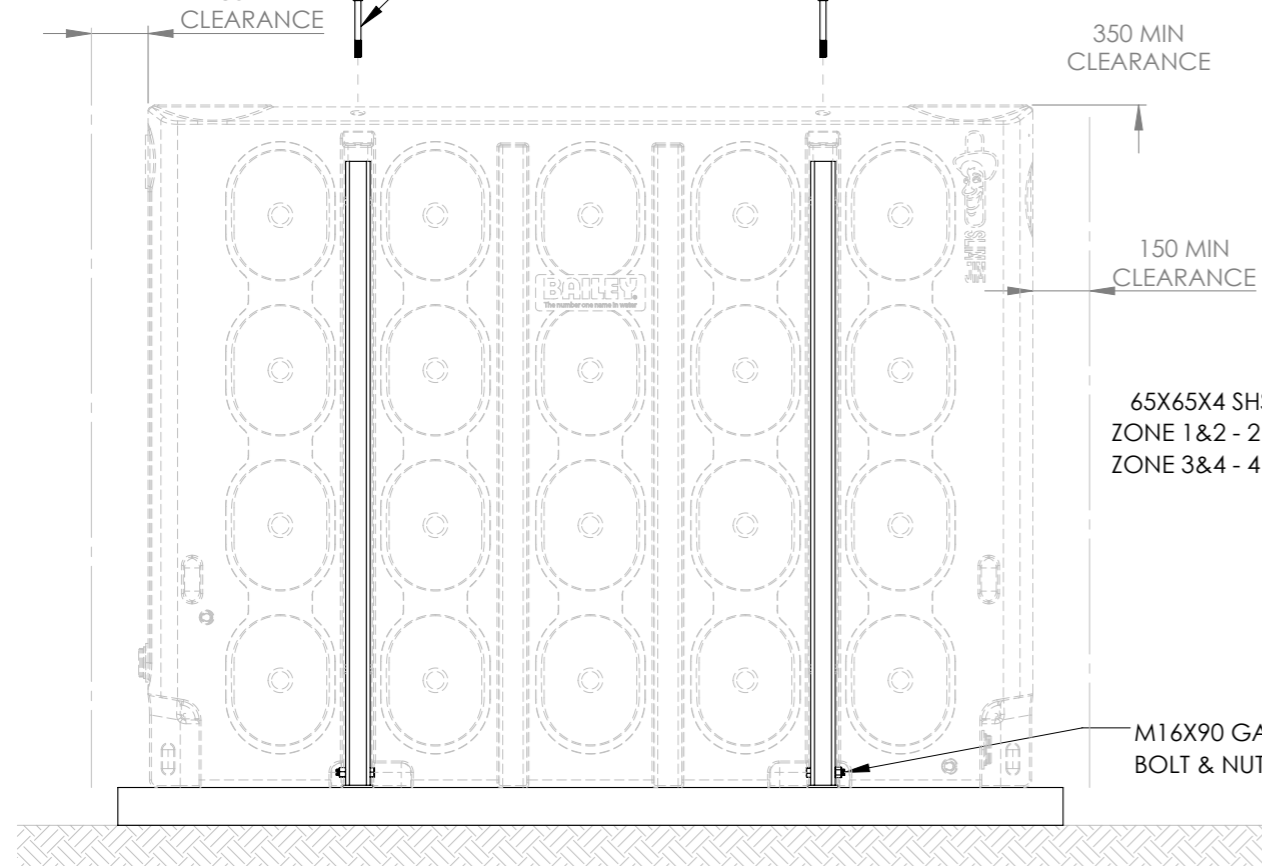


NOTE
GOOD GROUND IN
ACCORDANCE WITH
NZS3604 OR NATURAL
GROUND WITH A MIN.
SHEAR STRENGTH OF 50kPa

PLAN VIEW
SCALE: 1:20 (A3)



FRONT ELEVATION
SCALE: 1:20 (A3)



SIDE ELEVATION
SCALE: 1:20 (A3)



REVISION NO.	DESCRIPTION	DATE	DRAWN BY
-	DRAFT RELEASE	20.08.2020	DIB
A	ADDED SHEET 2 - DETAILED MAPS OF EARTHQUAKE ZONES	25.08.2020	DIB

NOTES

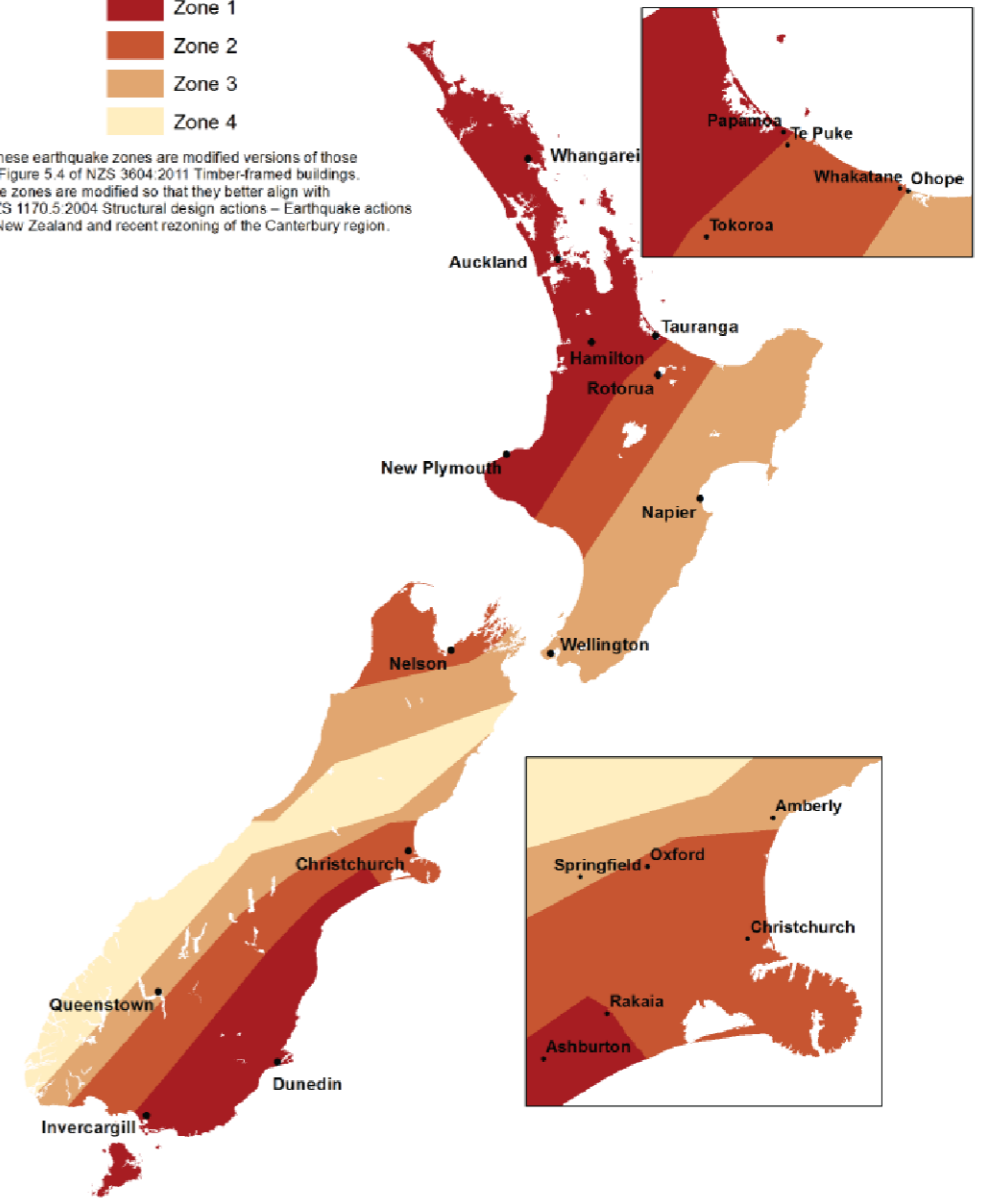
- ALL STEEL WORK & FASTENERS ARE TO BE HOT DIP GALVANISED.
- BAILEY SEISMIC RESTRAINT KIT PART NO. :
ZONE 1&2 BTSJ-SRK-1, ZONE 3&4 BTSJ-SRK-2

INSTALL STEPS

- CONCRETE 50X50X3 SHS BRACKETS (X2) IN PLACE & AT SAME TIME POUR 100MM THICK CONCRETE PAD. NOTE ENSURE ACCURACY OF THE LAYOUT OF BRACKETS.
- LIFT TANK INTO POSITION.
- INSTALL 65X65X4 SHS POSTS. NOTE USE EARTHQUAKE ZONE MAP TO DETERMINE HOW MANY POSTS ARE REQUIRED.
- FIX POSTS IN PLACE USING M16X90 BOLTS AND NUTS.
- FIX THE TOP OF POSTS BY INSTALLING M16X150 BOLTS DWON THROUGH TOP OF TANK

- Zone 1
- Zone 2
- Zone 3
- Zone 4

*These earthquake zones are modified versions of those in Figure 5.4 of NZS 3604:2011 Timber-framed buildings. The zones are modified so that they better align with NZS 1170.5:2004 Structural design actions – Earthquake actions – New Zealand and recent rezoning of the Canterbury region.



	NAME	DATE
DRAWN	D.I.B.	20 AUGUST 2020
CHK'D		
APP'VD		

DIMENSIONS OF ROTO MOULDED PARTS ARE APPROX DUE TO VARIATIONS IN THE MANUFACTURING PROCESS

DO NOT SCALE DRAWING

Copyright Bailey Tanks Limited 2020

WEIGHT:

Bailey Tanks Limited
36 Ash Road, Wiri, Auckland, New Zealand
Tel: + 64 9 2627070 Fax: +64 9 2627071
Web: www.baileytanks.com
Email: info@baileytanks.com

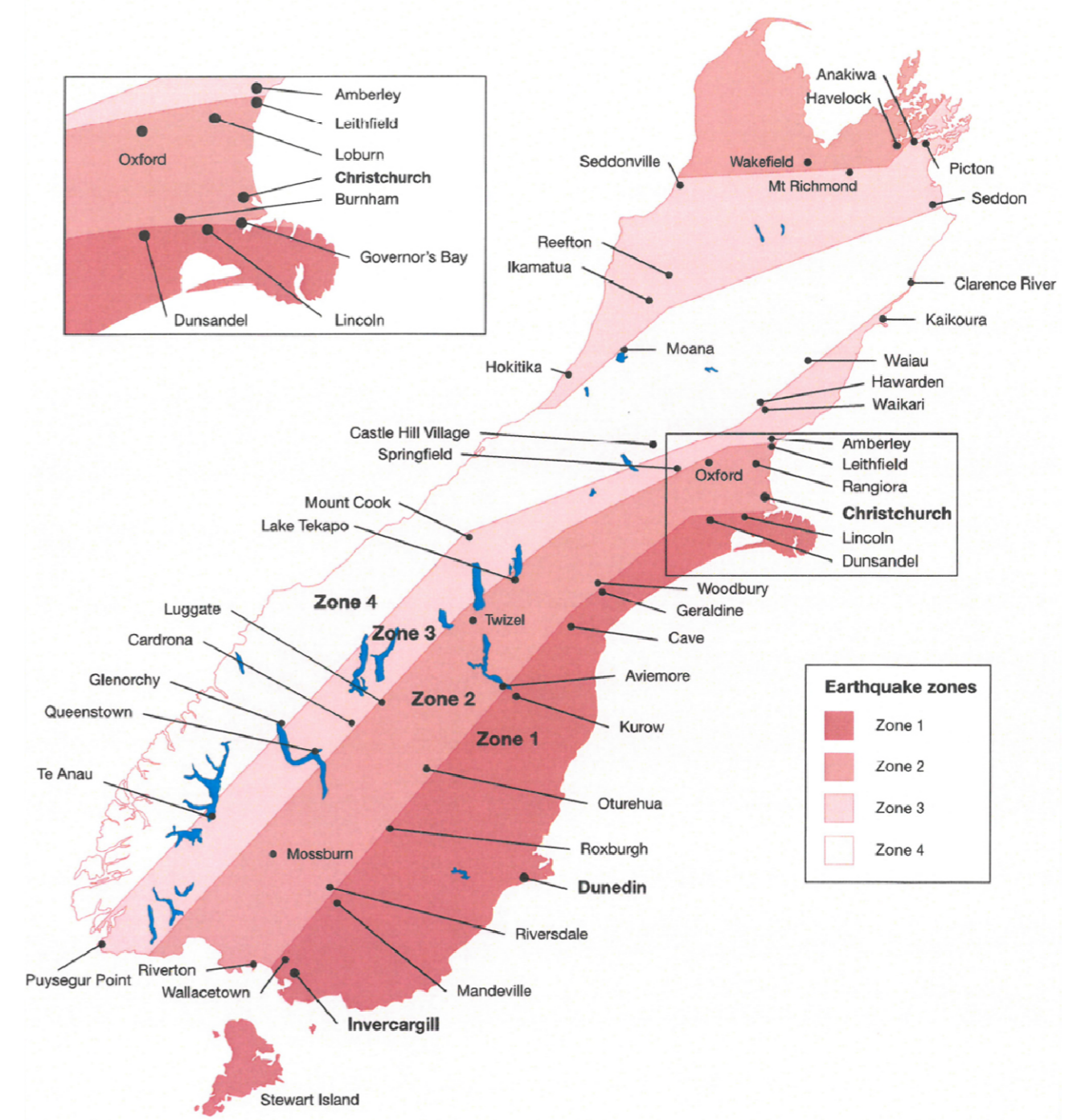
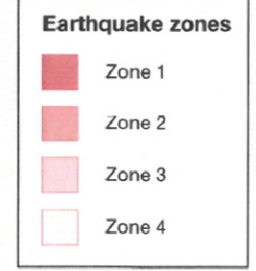
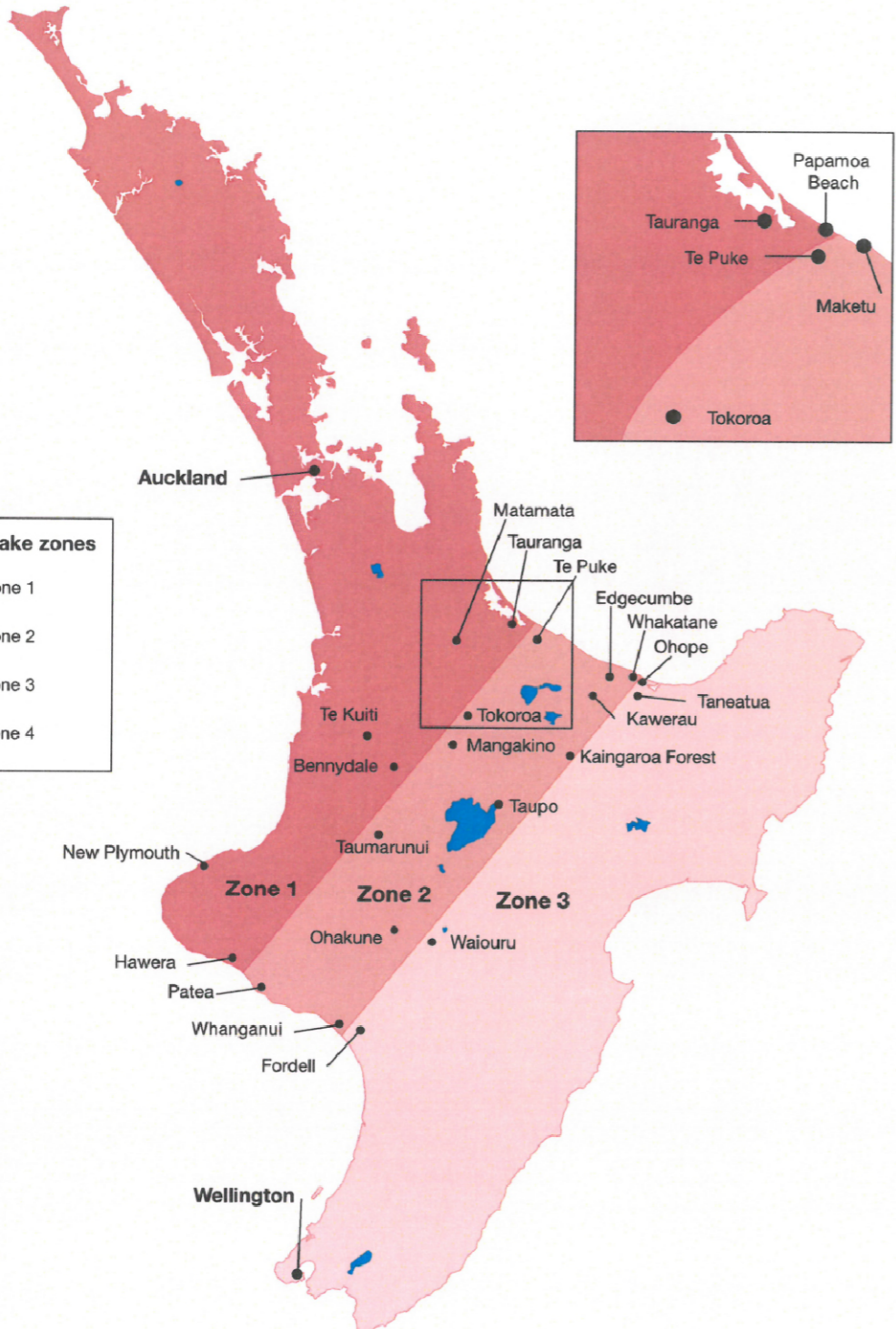
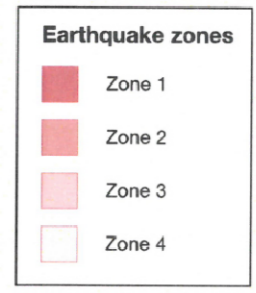


DWG NO. Slim Jim Seismic Restraint

SCALE: 1:20 (A3)

SHEET 1 OF 2

REVISION A



	NAME	DATE
DRAWN	D.I.B.	20 AUGUST 2020
CHK'D		
APP'VD		
DIMENSIONS OF ROTO MOULDED PARTS ARE APPROX DUE TO VARIATIONS IN THE MANUFACTURING PROCESS		
DO NOT SCALE DRAWING		
Copyright Bailey Tanks Limited 2020		
WEIGHT:		

Bailey Tanks Limited
 36 Ash Road, Wiri, Auckland, New Zealand
 Tel: + 64 9 2627070 Fax: +64 9 2627071
 Web: www.baileytanks.com
 Email: info@baileytanks.com



DWG NO. **Slim Jim Seismic Restraint**

SCALE: NTS

SHEET 2 OF 2

REVISION A

A3