

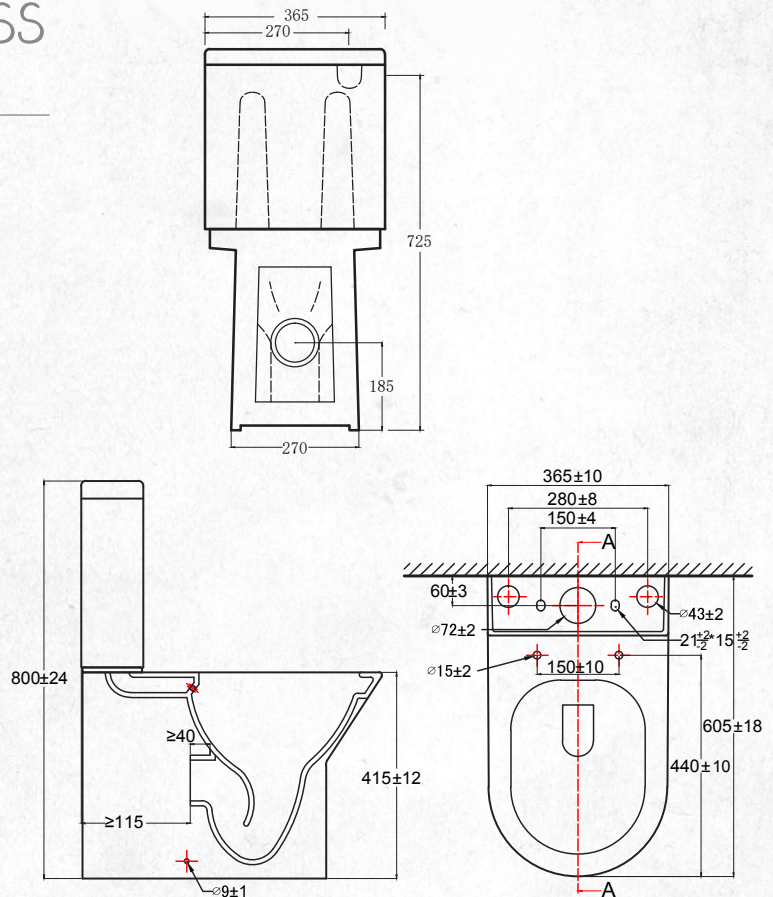
Raymor

PROJEX RIMLESS TOILET SUITE

Raymor Projex gives you a contemporary compact toilet suite with rimless pan. Designed specifically for plumbers and builders, the Projex rimless toilet suite provides value and confidence with simple installation and quality build.

SHORT-PROJECTION RIMLESS TOILET SUITE

(7)736645



FEATURES:

- Full vitreous china back to wall suit featuring a rimless pan and dual flush cistern
- Soft close and quick release standard toilet seat
- R&T inlet valve
- WELS 4 rated 3.5L per average flush
- Flexible installation (back entry and bottom entry)
- S Trap set out 55 – 145mm
- P Trap set out 185mm
- Vario trap available separately; 155mm – 240mm (7)706626

COMPONENTS:

- (7)736610 Rimless Pan
- (7)736621 Cistern
- (7)736638 Standard Toilet Seat