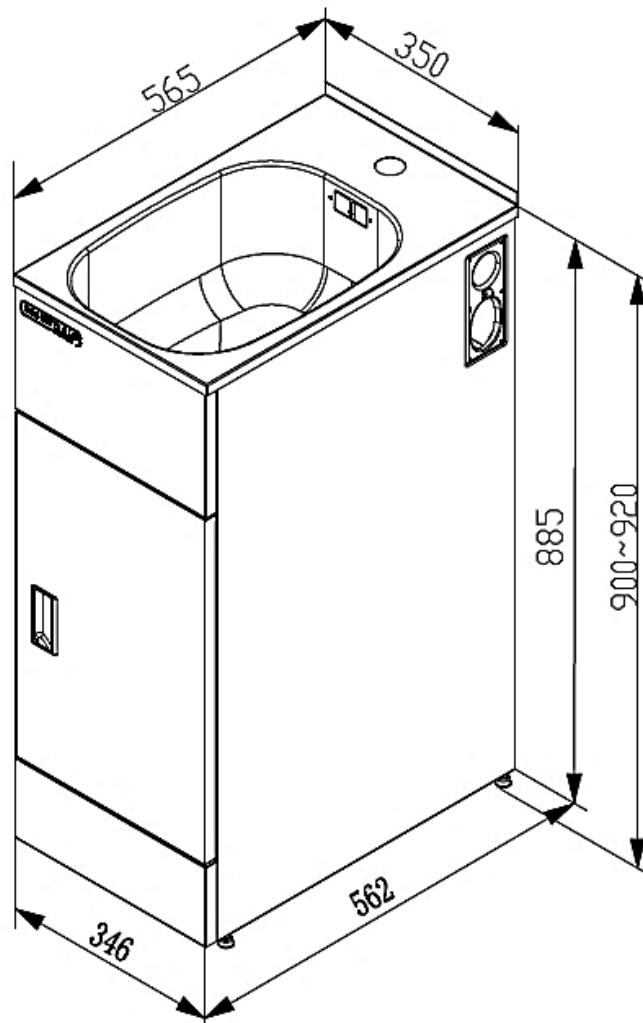


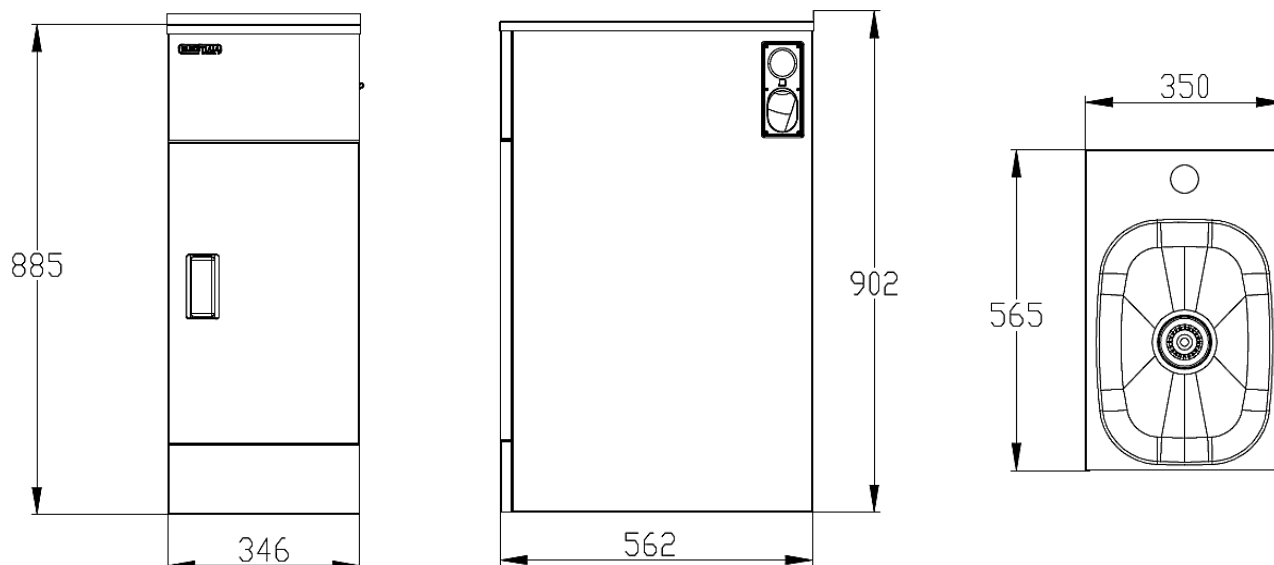
## 350mm Laundry Cabinet Installation Manual

Product Code: (7)736548 (RE350LCBNTS1WH)



*All dimensions in mm with 1-2mm tolerance. Actual unit may vary slightly from image pictured*

## Product Overview



## Content of Packaging

1 x Laundry Tub (incl. waste system, plug & tap hole cover)

1 x Installation Kit (incl. 4 adjustable feet and 2 spare door hinges)

## Pre-Installation



### Important

- Please read the entire instructions before installing the laundry tub.
- Ensure the household pipes are thoroughly flushed to remove debris before connecting your laundry tub to the pipe works. To prevent foreign particles damaging the ceramic cartridge an 'in-line' filter is recommended to be installed prior to the mixer.



### Regulation Compliance

Comply with current Drainage and Plumbing Regulations as required by your local authority. Sanitary plumbing shall only be carried out by a Registered Plumber. All plumbing work must be done in accordance with local and national building and plumbing codes as applicable. All electrical work must be done in accordance with local and national electrical codes as applicable. In some instances this product may need to be earthed.

## Determine Site

Determine the most suitable position for the laundry tub. It may be used either to the left or right of the washing machine. Allow 10mm clearance between the units. Mark the position on the floor as reference.

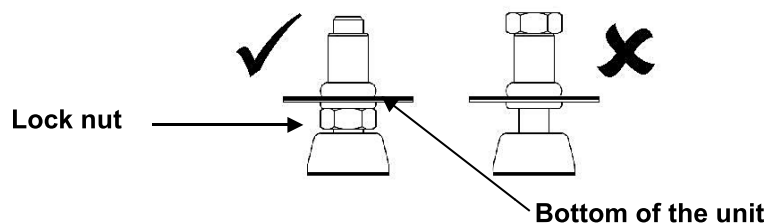
## Important Safety Information

- This laundry tub is not intended for use by young children or infirm persons without supervision. Young children should be supervised to ensure that they do not play with the unit.
- DO NOT use abrasive household cleaner.

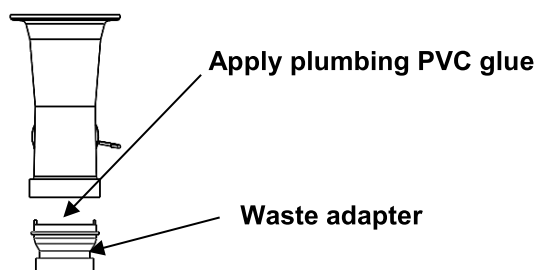
## Installing Laundry Tub

Before securing the unit to the wall, please check if the door or washing machine waste inlet needs to be changed from right to left. If so, please refer to information on page 5 of this manual.

1. Fit four adjustable feet supplied to the bottom of the cabinet and adjust to align with benchtop or washing machine height. Use the lock nut to secure feet into required position. Tilt laundry tub slightly to assist with access. Check the top of the laundry tub with a spirit level to ensure that it is level and check that the cabinet does not “rock” confirm that the door operates correctly.



2. Line up the laundry tub to the installation and confirm enough room, if necessary remove the skirting board at the require distance 560 mm this will allow the unit to sit flush against the wall. (Check with your local council for building regulations). Remove the laundry tub away from the wall.
3. Fit the waste adapter from the installation kit this must be glued in place, allow plenty of time for glue to completely dry before proceeding.



4. Position the laundry tub and cut the house waste pipe (which should already be installed) to the exact height. The final height will depend on the waste trap dimensions.
5. Fasten the laundry tub to the wall through any of the holes in the rear flanges. Alternative fastening can be achieved through the floor. Confirm that the door operates correctly.
6. Connect the hot and cold from the tap ware to the 3 way ball valves (not supplied); connect the waste system and the trap to the laundry tub.
7. Test the laundry tub for leaks. Check the washing machine and the waste system.
8. Seal the laundry tub to the wall using suitable approved sealant. (Check with your local council for building regulations).

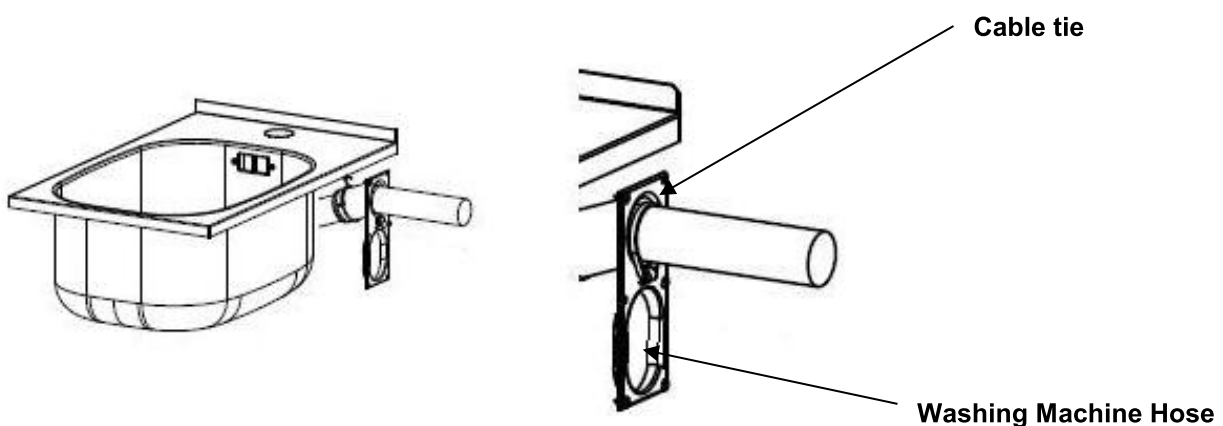
## Installing Washing Machine Waste Outlet

Before securing the unit to the wall, please check if the door or washing machine waste inlet needs to be changed from right to left. If so, please refer to information on page 6 of this manual.

Washing machine waste hose connection through the white plastic washing machine waste inlet and make sure that the hose is as far down the hose as possible and then to prevent the washing machine waste hose from coming loose use the cable tie from the installation kit to fasten the hose firmly to the white plastic washing machine waste connector (shown as below).

### Important

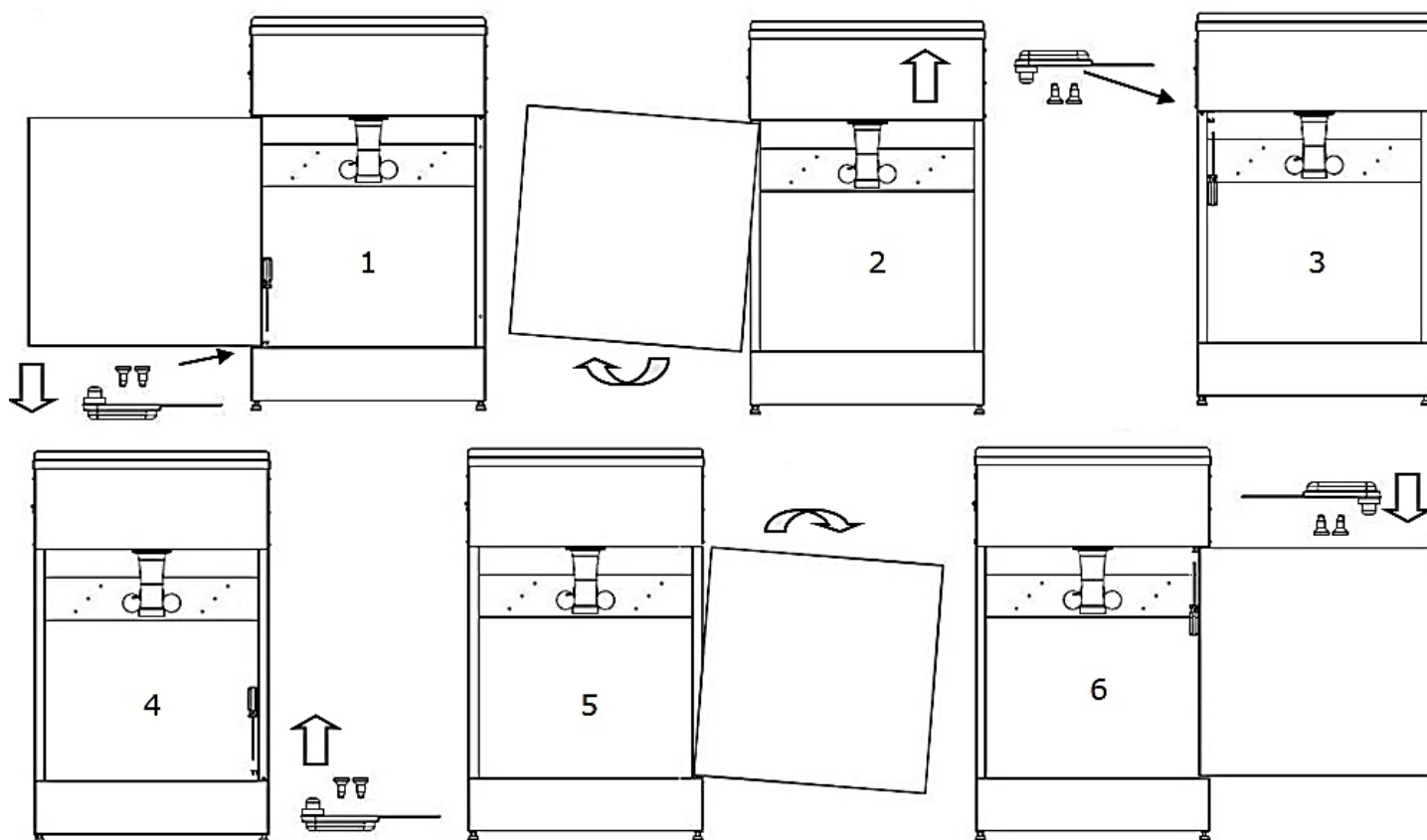
Ensure the washing machine outlet hose is correctly fitted at both ends and that the spring clips are firmly in place to prevent leaks.



# Changing Door Opening

## Rotating the Cabinet Door

1. Open the door to its most open position. Unscrew the two screws in the bottom left hand corner. From inside the unit pull the hinge pin downwards to release the door.
2. Manoeuvre the door to allow removal from the Laundry tub.
3. Unscrew the two screws in the top left hand corner. Pull the hinge pin upwards from the inside of the unit.
4. Insert the hinge pin in the bottom right hand location and secure with two screws.
5. Turn door around. Locate the door on the bottom right pin. Swing the door fully open and insert the hinge pin in the top right location and push down to locate in the door.
6. Secure with two screws. Check operation of the door.



**Troubleshooting** – Ensure hinge pin is inserted into pilot hole on the door.

## Changing Washing Machine Inlet from Right to Left

The washing machine outlet waste hose can be connected to either side of the laundry tub.

1. On the outside of the laundry tub remove the screws from the white plastic washing machine waste inlet and the white plastic blanking plate.
2. On the inside of the laundry tub remove the clip from the white plastic washing machine waste inlet and black flexible hose, move the white plastic part to the other side of the laundry tub.
3. Reconnect the washing machine flexible hose to the left hand side replace the clip and ensure good seal.
4. On the outside of the laundry tub secure the white plastic washing machine waste inlet with six screws.
5. On the opposite side of the laundry tub secure the white plastic blanking plate with six screws

### **Safety Latch (NOT SUPPLIED)**

The magnetic catch comes as a standard fitting on the laundry tub.

In the interests of child protection against dangerous chemicals and cleaning fluids we recommend a suitable AS/NZS approved safety latch should be fitted and used correctly.

## Cleaning & Maintenance

Powder coated surfaces must not be cleaned with abrasive or chemical cleaners. To keep the laundry tub looking its best, wipe regularly with a damp soft cloth. A mild soap and water solution may be used to remove stubborn dirt.

Under no circumstances should harsh detergents (including chemical cleaners) such as bleach, scourers or any abrasive cleaner be used as these products may irreparably damage the surfaces of the unit.

 **NB. Inappropriate cleaning will render the warranty void.**

# Warranty Certificate (New Zealand)

## Terms and Conditions

The following conditions apply in respect of the warranty given in this certificate:

Laundry Tub: 5 years on Stainless Steel bowl, 2 years on cabinet and other components from the date of original purchase for domestic use.

## Warranty exclusions

1. The warranty does not apply where, in the opinion of the Manufacturer:  
The defect is caused by misuse, wear and tear, dirt, fire or accidental damage.  
The product has been repaired or serviced by an unauthorised person.  
The product was not installed in accordance with our instructions.  
The product was purchased overseas or was not designed for use in New Zealand.  
The product was not used, cleaned or cared for in accordance with our instructions.  
The product was used outdoors.
2. In addition, this warranty does not extend to damage or defects which in our opinion, directly or indirectly arise from or are due to:  
Exposing the product to acidic or corrosive materials or chemicals such as dyes, solvents, denture cleaner or acetone;  
Using inappropriate household cleaning products such as abrasive cream or powder cleansers, furniture polish, bleach, mentholated spirits, drain cleaners, sugar soap, metal pads and strongly alkaline or acidic cleaners;  
Heat damage, including from washing the product at high temperatures;  
Impact or mishandling the product, including the impact caused by objects scraped along, thrown or dropped on the product surface or excessive weight being placed on the product;  
Structural or support changes in or affecting the building or the application where the product has been installed;  
Failure to clean or maintain the product as recommended; or  
Any other causes specified in the product information as being excluded from this warranty.
3. Variations with the colour or gloss within the product or any ageing or fading of colour, shine or gloss level over time are not covered by this warranty. The warranty does not cover visual imperfections or blemishes in the surface and edges of the product that were not brought to your supplier's attention at the time you inspected the product.
4. Costs incurred on installation or removal of a product, or any reinstallation of a product, or any associated costs, are not covered by this warranty.
5. The manufacturer will not be liable for consequential or indirect loss or damage whatsoever and however arising out of or in connection with the supply, performance or removal of the product, including (but not limited to) loss of profit, loss of revenue, loss of contract, loss of goodwill or increased cost of workings, even if due to the negligence of the Manufacturer or any of its approved suppliers, employees or agents.
6. This warranty and the statements contained in this certificate or other documents given to you do not exclude, restrict or modify the application of any term implied into this warranty by statute, provided that (to the extent any

statutory provision permits the Manufacturer to limit its liability for a breach of an implied condition or warranty) the Manufacturer's liability for such breach is limited to the payment of the cost of replacing the product, repairing the product or acquiring an equivalent product.

7. Subject to clause 5, our obligations under this warranty are limited to those set out in this certificate, and this warranty is expressly instead of all other warranties, express or implied, including any implied warranty of merchantability or fitness for a particular purpose and notwithstanding any course of dealing between the parties or custom and usage in trade to the contrary.

Should warranty service be required, please contact us:

Monaco Corporation Ltd.

Phone: (09) 415 6000

Fax: (09) 415 7400

Email: [customercare@monacocorp.co.nz](mailto:customercare@monacocorp.co.nz)

Terms and conditions are subject to change without notice.