

Multi1ONE™

1 Powerful Screw Multiple Materials

THE WORLD'S
MOST ADVANCED
SCREW.

A SCREW
& DRILL BIT
IN **ONE.**



See the Multi1ONE in action at
multi1.com.au

Innovation.
Engineering.
Manufacturing.

BREMICK®



COUNTERSUNK TRUSS HEAD

Used where a flush finish is needed e.g. in timber or in a pre-countersunk fitting such as a shelf bracket.

Suitable applications may include:

- Hardwood to softwood
- Hardwood decking applications
- Timber framing
- Flooring systems
- Cladding
- Fencing
- Builders brackets



For use in
Category
5 Corrosive
Environments



Available in plastic trade packs with sliding lid

| MultiONE™ Countersunk Truss Head | Pack Quantity | Pack Type | Product Code | Driver Bit | Screw Length (mm) | Axial Tensile (kN) | Single Shear (kN) | Torsional (Nm) |
|----------------------------------|---------------|-----------|----------------|------------|-------------------|--------------------|-------------------|----------------|
| 10 x 30mm B8™ Coating | 200 | Plastic | SVTRTU8100302T | T20 | 30 | 10.6 | 8.3 | 11.4 |
| 10 x 40mm B8™ Coating | 150 | Plastic | SVTRTU8100402T | T20 | 40 | 10.6 | 8.3 | 11.4 |
| 10 x 50mm B8™ Coating | 125 | Plastic | SVTRTU8100502T | T20 | 50 | 10.6 | 8.3 | 11.4 |
| 10 x 50mm B8™ Coating | 250 | Cardboard | SVTRTU8100502K | T20 | 50 | 10.6 | 8.3 | 11.4 |
| 10 x 65mm B8™ Coating | 100 | Plastic | SVTRTU8100652T | T20 | 65 | 10.6 | 8.3 | 11.4 |
| 10 x 65mm B8™ Coating | 250 | Cardboard | SVTRTU8100652K | T20 | 65 | 10.6 | 8.3 | 11.4 |
| 10 x 75mm B8™ Coating | 75 | Plastic | SVTRTU8100752T | T20 | 75 | 10.6 | 8.3 | 11.4 |
| 10 x 75mm B8™ Coating | 200 | Cardboard | SVTRTU8100752K | T20 | 75 | 10.6 | 8.3 | 11.4 |
| 12g x 60mm B8™ Coating | 100 | Plastic | SVTRTU8120602T | T25 | 60 | 14 | 9.6 | 13.5 |
| 12g x 60mm B8™ Coating | 250 | Cardboard | SVTRTU8120602K | T25 | 60 | 14 | 9.6 | 13.5 |
| 12g x 75mm B8™ Coating | 75 | Plastic | SVTRTU8120752T | T25 | 75 | 14 | 9.6 | 13.5 |
| 12g x 75mm B8™ Coating | 200 | Cardboard | SVTRTU8120752K | T25 | 75 | 14 | 9.6 | 13.5 |
| 12g x 100mm B8™ Coating | 50 | Plastic | SVTRTU8121002T | T25 | 100 | 14 | 9.6 | 13.5 |
| 12g x 100mm B8™ Coating | 200 | Cardboard | SVTRTU8121002K | T25 | 100 | 14 | 9.6 | 13.5 |



TORX®+ COMPATIBLE DRIVE
Positive bit engagement provides maximum application of torque

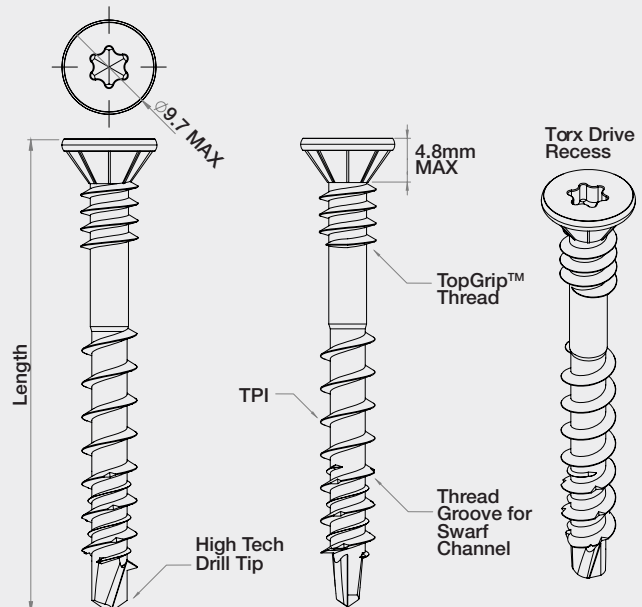


COUNTERSUNK TRUSS HEAD
For secure and flush finish

TOPGRIP™ THREAD
Locks materials together

UNIQUE THREAD DESIGN
Engineered to fasten multiple materials with ease

HIGH TECH DRILL TIP
Drills a perfect sized hole



CONTOUR HEAD

Used when broad holding power &/or a decorative look is required. The underside of the head is flat & ideal for fixing sheet materials or heavier timbers.

Suitable applications may include:

- Hardwood to softwood
- Sheds & metal fencing
- Cladding & screening
- External fittings such as wall brackets, garden hose reels etc.
- Aluminium signs




For use in
Category
5 Corrosive
Environments




Also available
in cardboard bulk
packs with plastic window


| MultiONE™ Contour Head | Pack Quantity | Pack Type | Product Code | Driver Bit | Screw Length (mm) | Axial Tensile (kN) | Single Shear (kN) | Torsional (Nm) |
|-------------------------|---------------|-----------|----------------|------------|-------------------|--------------------|-------------------|----------------|
| 10 x 30mm B8™ Coating | 150 | Plastic | SWWSTU8100302T | T25 | 30 | 10.6 | 8.3 | 11.4 |
| 10 x 40mm B8™ Coating | 125 | Plastic | SWWSTU8100402T | T25 | 40 | 10.6 | 8.3 | 11.4 |
| 10 x 50mm B8™ Coating | 100 | Plastic | SWWSTU8100502T | T25 | 50 | 10.6 | 8.3 | 11.4 |
| 10 x 50mm B8™ Coating | 250 | Cardboard | SWWSTU8100502K | T25 | 50 | 10.6 | 8.3 | 11.4 |
| 10 x 65mm B8™ Coating | 75 | Plastic | SWWSTU8100652T | T25 | 65 | 10.6 | 8.3 | 11.4 |
| 10 x 65mm B8™ Coating | 200 | Cardboard | SWWSTU8100652K | T25 | 65 | 10.6 | 8.3 | 11.4 |
| 12g x 60mm B8™ Coating | 75 | Plastic | SWWSTU8120602T | T30 | 60 | 14 | 9.6 | 13.5 |
| 12g x 60mm B8™ Coating | 200 | Cardboard | SWWSTU8120602K | T30 | 60 | 14 | 9.6 | 13.5 |
| 12g x 75mm B8™ Coating | 60 | Plastic | SWWSTU8120752T | T30 | 75 | 14 | 9.6 | 13.5 |
| 12g x 75mm B8™ Coating | 150 | Cardboard | SWWSTU8120752K | T30 | 75 | 14 | 9.6 | 13.5 |
| 12g x 100mm B8™ Coating | 50 | Plastic | SWWSTU8121002T | T30 | 100 | 14 | 9.6 | 13.5 |
| 12g x 100mm B8™ Coating | 150 | Cardboard | SWWSTU8121002K | T30 | 100 | 14 | 9.6 | 13.5 |



TORX® COMPATIBLE DRIVE
Positive bit engagement provides maximum application of torque

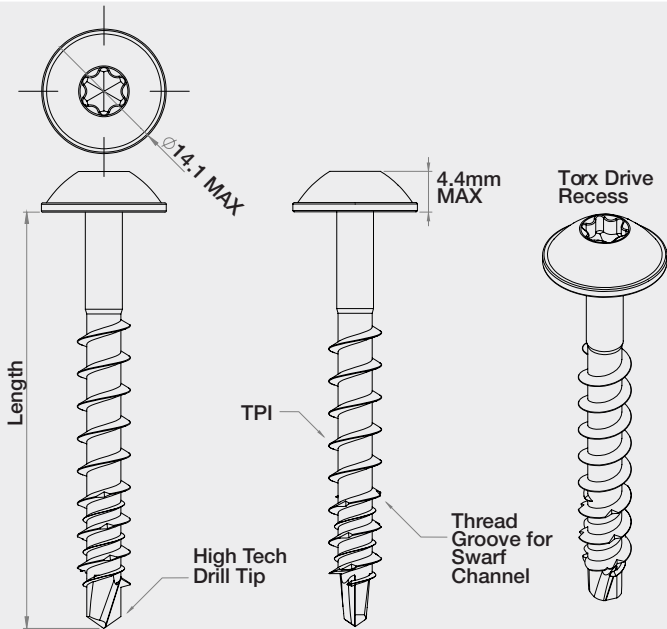


CONTOUR HEAD
Broad holding powers means materials are brought together and held in position, resisting warp and head pull through



UNIQUE THREAD DESIGN
Engineered to fasten multiple materials with ease

HIGH TECH DRILL TIP
Drills a perfect sized hole



*Torx is a registered trademark owned by Acument Intellectual Properties, LLC

MASONRY FIXING DETAILS & Axial Withdrawal Loads from Timber & Metal*

BREMICK®



| Screw Size | Min. Timber Embed.‡ Depths (mm) | | Axial Withdrawal Forces (kN) | | | Masonry | | | | | | |
|------------|---------------------------------|--------------|--|---------------------------|-----------------------------|--------------------------|---------------------------|------------------------|--------------------------------------|--------------------------------------|---------------------------------------|---|
| | F5 (Softwood) Radiata Pine | F17 Hardwood | F5 (Softwood) Radiata Pine 30mm Embed. | F17 Hardwood: 30mm Embed. | 1.5mm BMT G450 Steel Purlin | Pilot hole diameter (mm) | MIN Pilot hole Depth (mm) | MIN Embed.‡ Depth (mm) | Clamping Capacity 'Truss' Head (max) | Clamping Capacity Contour Head (max) | Max Safe Load in 25MPA Concrete (kG)* | Max Load in Extruded Common Brick (kG)* |
| 10x30 | 25 | 20 | 3.5 | 7.1 | 3.6 | 4mm | 50 | 25mm | 2mm | 5mm | 86 | 78 |
| 10x40 | 30 | 25 | 3.5 | 7.1 | 3.6 | 4mm | 60 | 25mm | 12mm | 15mm | 86 | 78 |
| 10x50 | 35 | 30 | 3.5 | 7.1 | 3.6 | 4mm | 70 | 25mm | 22mm | 25mm | 86 | 78 |
| 12x60 | 35 | 30 | 3.7 | 7.5 | 3.9 | 5mm | 70 | 35mm | 30mm | 35mm | 105 | 96 |
| 12x75 | 45 | 35 | 3.7 | 7.5 | 3.9 | 5mm | 95 | 35mm | 50mm | 55mm | 105 | 96 |
| 12x100 | 65 | 50 | 3.7 | 7.5 | 3.9 | 5mm | 120 | 35mm | 70mm | 75mm | 105 | 96 |

‡Embedment Depths

Minimum Embedment is the amount of screw that is embedded into the material that you are fixing to.

* Notes: 1. Safe load has been calculated using a 4:1 safety factor. 2. Safe loads are a guideline only and are not guaranteed 3. The Data in the table represents characteristic data obtained under laboratory conditions and only apply to the Bremick MultiONE™ products. Appropriate safety factors must be applied.

THE RANGE complies with AS3566

| HEAD TYPE | SIZE (mm) | BREMICK SKU | PLACEMAKERS SKU | DESCRIPTION | DRIVE BIT | PACK QTY |
|--|-----------|----------------|-----------------|--|-----------|----------|
|  COUNTERSUNK TRUSS HEAD | 10g x 30 | SVTRTU8100302T | 4512644 | MULTIONE TRUSS HD TORX 20 10G X 30 B8 PK200 | T20 | 200 |
| | 10g x 40 | SVTRTU8100402T | 4512645 | MULTIONE TRUSS HD TORX 20 10G X 40 B8 PK150 | T20 | 150 |
| | 10g x 50 | SVTRTU8100502T | 4512647 | MULTIONE TRUSS HD TORX 20 10G X 50 B8 PK125 | T20 | 125 |
| | 10g x 50 | SVTRTU8100502K | 4512648 | MULTIONE TRUSS HD TORX 20 10G X 50 B8 PK250 | T20 | 250 |
| | 10g x 65 | SVTRTU8100652T | 4512649 | MULTIONE TRUSS HD TORX 20 10G X 65 B8 PK100 | T20 | 100 |
| | 10g x 65 | SVTRTU8100652K | 4512650 | MULTIONE TRUSS HD TORX 20 10G X 65 B8 PK250 | T20 | 250 |
| | 10g x 75 | SVTRTU8100752T | 4512651 | MULTIONE TRUSS HD TORX 20 10G X 75 B8 PK75 | T20 | 75 |
| | 10g x 75 | SVTRTU8100752K | 4512652 | MULTIONE TRUSS HD TORX 20 10G X 75 B8 PK200 | T20 | 200 |
| | 12g x 60 | SVTRTU8120602T | 4512654 | MULTIONE TRUSS HD TORX 25 12G X 60 B8 PK100 | T25 | 100 |
| | 12g x 60 | SVTRTU8120602K | 4512655 | MULTIONE TRUSS HD TORX 25 12G X 60 B8 PK250 | T25 | 250 |
| | 12g x 75 | SVTRTU8120752T | 4512656 | MULTIONE TRUSS HD TORX 25 12G X 75 B8 PK75 | T25 | 75 |
| | 12g x 75 | SVTRTU8120752K | 4512657 | MULTIONE TRUSS HD TORX 25 12G X 75 B8 PK200 | T25 | 200 |
| | 12g x 100 | SVTRTU8121002T | 4512658 | MULTIONE TRUSS HD TORX 25 12G X 100 B8 PK50 | T25 | 50 |
| | 12g x 100 | SVTRTU8121002K | 4512659 | MULTIONE TRUSS HD TORX 25 12G X 100 B8 PK200 | T25 | 200 |
|  CONTOUR HEAD | 10g x 30 | SVWSTU8100302T | 4512660 | MULTIONE CONTOUR HD TORX 25 10G X 30 B8 PK150 | T25 | 150 |
| | 10g x 40 | SVWSTU8100402T | 4512662 | MULTIONE CONTOUR HD TORX 25 10G X 40 B8 PK125 | T25 | 125 |
| | 10g x 50 | SVWSTU8100502T | 4512663 | MULTIONE CONTOUR HD TORX 25 10G X 50 B8 PK100 | T25 | 100 |
| | 10g x 50 | SVWSTU8100502K | 4512664 | MULTIONE CONTOUR HD TORX 25 10G X 50 B8 PK250 | T25 | 250 |
| | 10g x 65 | SVWSTU8100652T | 4512665 | MULTIONE CONTOUR HD TORX 25 10G X 65 B8 PK75 | T25 | 75 |
| | 10g x 65 | SVWSTU8100652K | 4512666 | MULTIONE CONTOUR HD TORX 25 10G X 65 B8 PK200 | T25 | 200 |
| | 12g x 60 | SVWSTU8120602T | 4512667 | MULTIONE CONTOUR HD TORX 30 12G X 60 B8 PK75 | T30 | 75 |
| | 12g x 60 | SVWSTU8120602K | 4512668 | MULTIONE CONTOUR HD TORX 30 12G X 60 B8 PK200 | T30 | 200 |
| | 12g x 75 | SVWSTU8120752T | 4512669 | MULTIONE CONTOUR HD TORX 30 12G X 75 B8 PK60 | T30 | 60 |
| | 12g x 75 | SVWSTU8120752K | 4512670 | MULTIONE CONTOUR HD TORX 30 12G X 75 B8 PK150 | T30 | 150 |
| | 12g x 100 | SVWSTU8121002T | 4512671 | MULTIONE CONTOUR HD TORX 30 12G X 100 B8 PK50 | T30 | 50 |
| | 12g x 100 | SVWSTU8121002K | 4512672 | MULTIONE CONTOUR HD TORX 30 12G X 100 B8 PK150 | T30 | 150 |

CONTACT US

Australia (Sydney)
E sales@bremick.com.au
P +61 2 8332 1501

New Zealand (North Island)
E nthnzsales@bremick.co.nz
P 9525 2244

New Zealand (South Island)
E sthnzsales@bremick.co.nz
P 3365 8998

Wellington
E nthnzsales@bremick.co.nz
P 4566 9363