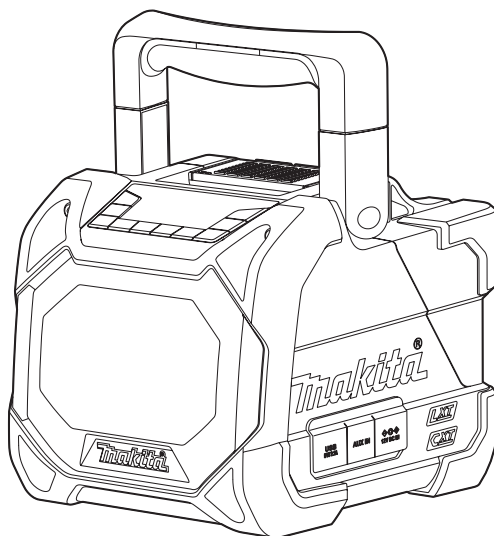




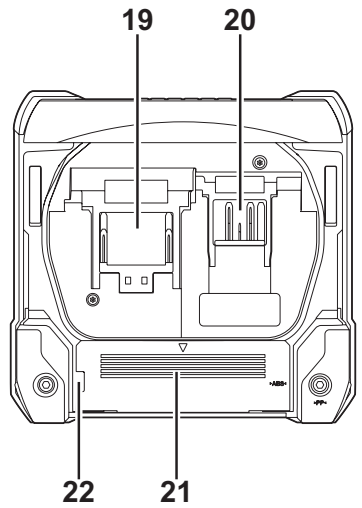
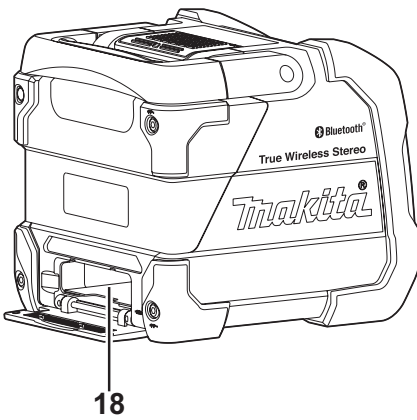
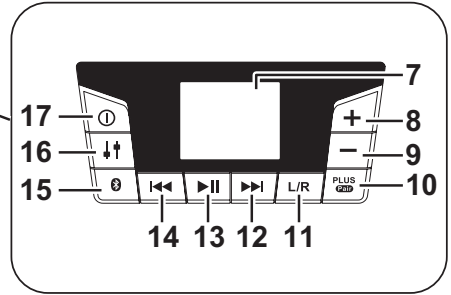
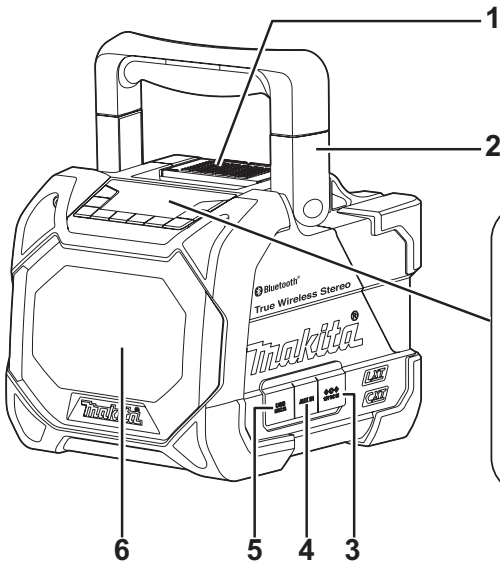
# Cordless Job Site Speaker

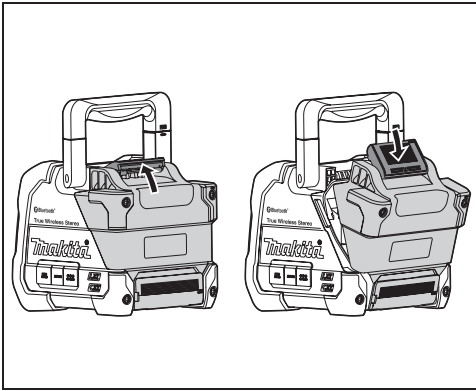
## DMR203



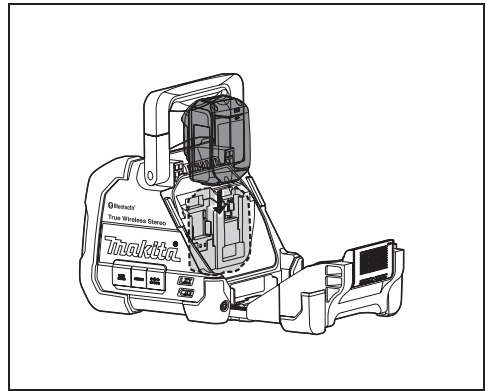
INSTRUCTION MANUAL  
IMPORTANT: Read Before Using.



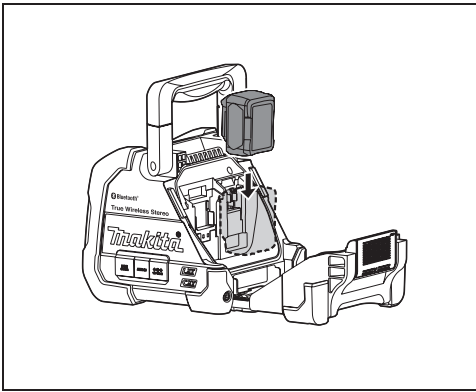




2



3



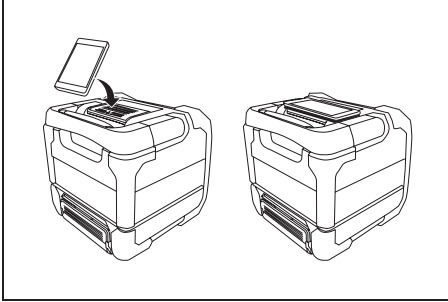
4

# ENGLISH

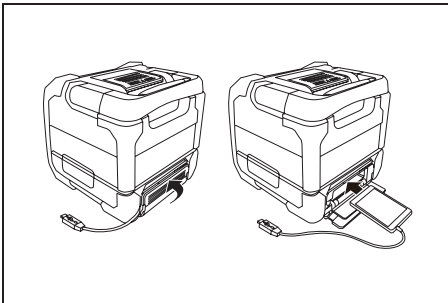
## (Original instructions)

### EXPLANATION OF GENERAL VIEW (Fig. 1)

1. Battery compartment locker/Mobile (Cell phone) placing panel



2. Handle
3. DC in socket
4. Auxiliary input socket
5. USB charging socket
6. Speaker
7. LCD display
8. Volume up button
9. Volume down button
10. Plus button (Plus pair button)
11. L/R button
12. Next track/Fast-forward button
13. Play/Pause button
14. Previous track/Rewind button
15. Bluetooth pairing button
16. EQ control button
17. Power button
18. Mobile (Cell phone) storage cabinet



19. 14.4V/18V battery terminal
20. 10.8V-12V max battery terminal
21. Mobile storage cabinet cover
22. Cable hole

# SYMBOLS

The following show the symbols used for the equipment. Be sure that you understand their meaning before use.



Read instruction manual.



Only for EU countries.

Do not dispose of electric equipment or battery pack together with household waste material! In observance of the European Directives, on Waste Electric and Electronic Equipment and Batteries and Accumulators and Waste Batteries and Accumulators and their implementation in accordance with national laws, electric equipment and batteries and battery pack(s) that have reached the end their life must be collected separately and returned to an environmentally compatible recycling facility.

### IMPORTANT SAFETY INSTRUCTIONS

#### **⚠ WARNING:**

When using electric tools, basic safety precautions should always be followed to reduce the risk of fire, electric shock, and personal injury, including the following:

1. Read this instruction manual and the charger instruction manual carefully before use.
2. Clean only with dry cloth.
3. Do not install near any heat sources such as radiators, heat registers, stoves, or other apparatus (including amplifiers) that produce heat.
4. Only use attachments/accessories specified by the manufacturer.
5. Unplug this apparatus during lightning storms or when unused for long periods of time.
6. A battery operated speaker with integral batteries or a separate battery pack must be recharged only with the specified charger for the battery. A charger that may be suitable for one type of battery may create a risk of fire when used with another battery.
7. Use battery operated speaker only with specifically designated battery packs. Use of any other batteries may create a risk of fire.
8. When battery pack is not in use, keep it away from other metal objects like: paper clips, coins, keys, nails, screws, or other small metal objects that can make a connection from one terminal to another. Shorting the battery terminals together may cause sparks, burns, or a fire.

## SPECIFIC SAFETY RULES FOR BATTERY CARTRIDGE

9. Avoid body contact with grounded surfaces such as pipes, radiators, ranges and refrigerators. There is an increased risk of electric shock if your body is grounded.
  10. Under abusive conditions, liquid may be ejected from the battery; avoid contact. If contact accidentally occurs, flush with water. If liquid contacts eyes, additionally seek medical help. Liquid ejected from the battery may cause irritation or burns.
  11. Do not use a battery pack or tool that is damaged or modified. Damaged or modified batteries may exhibit unpredictable behavior resulting in fire, explosion or risk of injury.
  12. Do not expose a battery pack or tool to fire or excessive temperature. Exposure to fire or temperature above 130°C(266°F) may cause explosion.
  13. Follow all charging instructions and do not charge the battery pack or tool outside the temperature range specified in the instructions. Charging improperly or at temperatures outside the specified range may damage the battery and increase the risk of fire.
  14. The MAINS plug is used as the disconnect device, and it shall remain readily operable.
  15. Do not use the product at a high volume for any extended period. To avoid hearing damage, use the product at moderate volume level.
  16. (For products with LCD display only) LCD displays include liquid which may cause irritation and poisoning. If the liquid enters the eyes, mouth or skin, rinse it with water and call a doctor.
  17. Do not expose the product to rain or wet conditions. Water entering the product will increase the risk of electric shock.
  18. This product is not intended for use by persons (including children) with reduced physical, sensory or mental capabilities, or lack of experience and knowledge, unless they have been given supervision or instruction concerning use of the product by a person responsible for their safety. Children should be supervised to ensure that they do not play with the product. Store the product out of the reach of children.
  19. Do not heat or expose the speaker to fire or leave it in a hot location such as near a heat source, exposed to direct sunlight, or inside a vehicle under the blazing sun. Doing so may cause a fire or explosion and result in personal injury.
1. Before using battery cartridge, read all instructions and cautionary markings on (1) battery charger, (2) battery, and (3) product using battery.
  2. Do not disassemble battery cartridge.
  3. If operating time has become excessively shorter, stop operating immediately. It may result in a risk of overheating, possible burns and even an explosion.
  4. If electrolyte gets into your eyes, rinse them out with clear water and seek medical attention right away. It may result in loss of your eyesight.
  5. Do not short the battery cartridge:
    - (1) Do not touch the terminals with any conductive material.
    - (2) Avoid storing battery cartridge in a container with other metal objects such as nails, coins, etc.
    - (3) Do not expose battery cartridge to water or rain. A battery short can cause a large current flow, overheating, possible burns and even a breakdown.
  6. Do not store the tool and battery cartridge in locations where the temperature may reach or exceed 50°C (122°F).
  7. Do not incinerate the battery cartridge even if it is severely damaged or is completely worn out. The battery cartridge can explode in a fire.
  8. Be careful not to drop or strike battery.
  9. Do not use a damaged battery.
  10. To avoid risk, the manual of replaceable the battery should be read before use. And the max discharging current of the battery should be greater than or equal to 8A.
  11. The contained lithium-ion-batteries are subject to the Dangerous Goods Legislation requirements. For commercial transports e.g. by third parties, forwarding agents, special requirement on packaging and labeling must be observed.  
For preparation of the item being shipped, consulting an expert for hazardous material is required. Please also observe possibly more detailed national regulations.  
Tape or mask off open contacts and pack up the battery in such a manner that it cannot move around in the packaging.
  12. When disposing the battery cartridge, remove it from the tool and dispose of it in a safe place. Follow your local regulations relating to disposal of battery.
  13. Use the batteries only with the products specified by Makita. Installing the batteries to non-compliant products may result in a fire, excessive heat, explosion, or leak of electrolyte.
  14. If the tool is not used for a long period of time, the

## SAVE THESE INSTRUCTIONS

battery must be removed from the tool.

**⚠ CAUTION:**

- **Danger of explosion if battery is incorrectly replaced.**
- **Replace only with the same or equivalent type.**
- **Only use genuine Makita batteries. Use of non-genuine Makita batteries, or batteries that have been altered, may result in the battery bursting causing fires, personal injury and damage. It will also void the Makita warranty for the Makita tool and charger.**

**Tips for maintaining maximum battery life**

1. Charge the battery cartridge before completely discharged. Always stop operation and charge the battery cartridge when you notice less power.
2. Never recharge a fully charged battery cartridge. Overcharging shortens the battery service life.
3. Charge the battery cartridge with room temperature at 10°C - 40°C (50°F - 104°F). Let a hot battery cartridge cool down before charging it.
4. Charge the battery cartridge if you do not use it for a long period (more than six months).

**OPERATING TIME**

\* The suitable battery packs for this speaker listed as the following table.

\* The following table indicates the operating time on a single charge.

Battery Capacity	Battery Cartridge Voltage			AT SPEAKER OUTPUT = 100mW Unit: Hour (Approximately)	
	10.8V –12Vmax	14.4V	18V	Bluetooth	AUX IN
1.3 Ah		BL1415		5.5	6.5
			BL1815	6.0	6.5
1.5 Ah	BL1015 BL1016			8.5	9.5
		BL1415N		7.5	8.5
			BL1815N	7.5	8.5
2.0 Ah	BL1020B BL1021B			11	12
			BL1820 BL1820B	10	11
3.0 Ah		BL1430 BL1430B		13	14
			BL1830 BL1830B	14	16
4.0 Ah	BL1040B BL1041B			22	25
		BL1440		20	22
			BL1840 BL1840B	20	22
5.0Ah		BL1450		24	27
			BL1850 BL1850B	26	29
6.0 Ah		BL1460B		27	30
			BL1860B	32	35

**⚠ WARNING:**

**Only use the battery cartridges listed above. Use of any other battery cartridges may cause injury and/or fire.**

**NOTE:**

- Table regarding to the battery operating time above is for reference.
- The actual operating time may differ with the type of the battery, charging condition, or usage environment.

# INSTALLATION AND POWER SUPPLY

## ⚠ CAUTION:

- Be careful not to pinch your fingers when opening and closing the battery cover.
- Return the battery compartment locker to the original position, after installing or removing battery cartridge. If not, battery cartridge may accidentally fall out of the speaker, causing injury to you or someone around you.
- Always close and lock the battery compartment locker before moving the speaker.
- Always switch off the speaker before installing or removing the battery cartridge.
- Be careful not to drop or strike the speaker. Broken shell may slash your finger or stab your body. Damaged speaker may exhibit unpredictable behavior resulting in fire, explosion or risk of injury.
- Hold the speaker and the battery cartridge firmly when installing or removing battery cartridge. Failure to hold the speaker and the battery cartridge firmly may cause them to slip off your hands and result in damage to the speaker and battery cartridge and a personal injury.

## IMPORTANT:

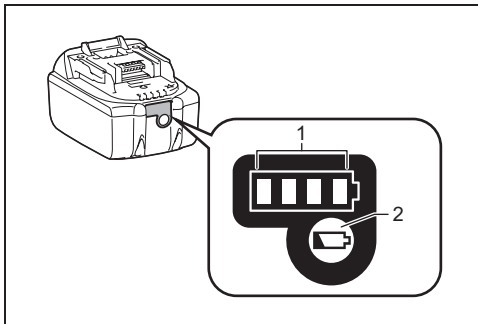
- Reduced power, distortion, "stuttering sound" or "low battery" appear on the display are all the signs that the main battery pack needs to be replaced.
- The battery cartridge can't be charged via the supplied AC power adaptor.
- The battery cartridge is not included as standard accessories.

## Installing or removing slide battery cartridge (Fig. 3 and 4)

- To install the battery cartridge, align the tongue on the battery cartridge with the groove in the housing and slide it into place. Always insert it all the way until it locks in place with a little click.
- If you can see the red indicator on the upper side of the button, it is not locked completely. Install it fully until the red indicator cannot be seen. If not, it may accidentally fall out of the speaker, causing injury to you or someone around you.
- Do not use force when inserting the battery cartridge. If the cartridge does not slide in easily, it is not being inserted correctly.
- To remove the battery cartridge, sliding it from the speaker while pressing the button on the front of the cartridge.

## Indicating the remaining battery capacity

\* Only for battery cartridges with "B" at the end of the model number



### ➤ 1. Indicator lamps 2. Check button

Press the check button on the battery cartridge to indicate the remaining battery capacity. The indicator lamps light up for few seconds.

#### • 14.4V/18V batteries

Indicator or lamps			Remaining Capacity
Lighted	Off	Blinking	
■	□	◐	75% ~ 100%
■	■	□	50% ~ 75%
■	□	□	25% ~ 50%
■	□	□	0% ~ 25%
◐	□	□	Charge the battery
■	□	□	The battery may have malfunctioned
□	□	■	

#### • 10.8V-12V max batteries

Indicator or lamps			Remaining Capacity
Lighted	Off	Blinking	
■	□	◐	75% ~ 100%
■	■	□	50% ~ 75%
■	□	□	25% ~ 50%
■	□	□	0% ~ 25%

**NOTE:**

Depending on the conditions of use and the ambient temperature, the indication may differ slightly from the actual capacity.

### Using supplied AC power adaptor

Remove the rubber protector and insert the adaptor plug into the DC socket on the right hand side of the speaker. Plug the adaptor into a standard mains socket outlet. Whenever the adaptor is used, the battery pack is automatically disconnected.

**⚠ CAUTION:**

- Always disconnect the AC power adaptor completely before moving the speaker. If the AC adaptor is not removed, it may cause an electric shock.
- Never pull and/or drag the cord of the adaptor. If not, the speaker may accidentally fall down, causing injury to you or someone around you.

**IMPORTANT:**

- The mains adaptor is used as the means of connecting the speaker to the mains supply. The mains socket used for the speaker must remain accessible during normal use.
- In order to disconnect the speaker, the mains adaptor should be removed from the mains outlet completely.
- Use the AC power adaptor supplied with the product or specified by Makita only.
- Do not hold the power supply cable and plug by your mouth. Doing so might cause an electric shock.
- Do not touch the power plug with wet or greasy hands.
- Damaged or entangled cords increase the risk of electric shock. If the cord is damaged, have it replaced by our authorized service center in order to avoid a safety hazard. Do not use it before repair.
- After use, always store AC power adaptor out of the reach of children. If Children play with the cord, they may suffer injury.

### USB power supply socket

This jack can be used to charge a mobile phone or any other device that uses less than 2.1A of DC current. Charging will only occur when the speaker is switched on.

**NOTE:**

Ensure the specification of your external device such as mobile phone or player is compatible with the speaker. Please read instruction manual of your external device before charging.

**IMPORTANT:**

- Before connecting USB device to the charger, always backup your data of USB device. Otherwise your data may lose by any possibility.
- The charger may not supply power to some USB devices.

- When not using or after charging, remove the USB cable and close the cover.
- Do not connect power source to USB port. Otherwise there is risk of fire. The USB port is only intended for charging lower voltage device. Always place the cover onto the USB port when not charging the lower voltage device.
- Do not insert a nail, wire, etc. into USB power supply port. Otherwise a circuit short may cause smoke and fire.
- Do not connect this USB socket with your PC USB port, as it is highly possible that it may cause breakdown of the units.

## LISTENING TO MUSIC VIA BLUETOOTH STREAMING

You need to pair your Bluetooth device with the speaker before you can auto-link to play/stream Bluetooth music through the speaker. Pairing creates a 'bond' so two devices can recognize each other.

**Note:**

To have the better sound quality, we recommend setting the volume to more than two-thirds level on your Bluetooth device and then adjust the volume on the speaker as required.

### Pairing your Bluetooth device for the first time

1. Press the Power button to turn on the speaker. "Pairing" will appear on the display to show the speaker is discoverable.
2. Activate Bluetooth on your device according to the device's user manual to link to the speaker. Locate the Bluetooth device list and select the device named "DMR203" (With some mobiles which are equipped with earlier versions than BT2.1 Bluetooth device, you may need to input the pass code "0000").
3. Once connected, there will be a confirmation tone sound. "Paired" will appear on the display. You can simply select and play any music from your source device. Volume control can be adjusted from your source device, or directly from the speaker.
4. Use the controls on your Bluetooth-enabled device or on the speaker to play/pause and navigate tracks.

**Note:**

- If 2 Bluetooth devices, pairing for the first time, both search for the speaker, it will show its availability on both devices. However, if one device links with this unit first, then the other Bluetooth device won't find it on the list.
- If your Bluetooth device is temporarily disconnected to the speaker, then you need to manually reconnect your device again to the speaker.



- If “DMR203” shows in your Bluetooth device list but your device cannot connect with it, please delete the item from your list and pair the device with the speaker again following the steps described previously.
- Optimum Bluetooth streaming range is roughly 10 meters (30 feet) (line of sight) to the speaker but distance up to 30 meters (100 feet) are possible.
- If Bluetooth connection is lost due to exceeding time of separation, exceeding the optimum distance, obstacles or otherwise, reconnecting your device with the speaker may be necessary.
- Physical obstacles, other wireless devices or electromagnetic devices may affect the connection quality.
- Bluetooth connectivity performance may vary depending on the connected Bluetooth devices. Please refer to the Bluetooth capabilities of your device before connecting to the speaker. All features may not be supported on some paired Bluetooth devices.

### Playing audio files in Bluetooth mode

When you have successfully connected the speaker with the chosen Bluetooth device you can start to play your music using the controls on your connected Bluetooth device.

1. Once playing has started adjust the volume to the required setting using the Volume buttons on the speaker or on your enabled Bluetooth device.
2. Use the controls on your Bluetooth device to play/pause and navigate tracks. Alternatively, control the playback using Play/Pause, Next track and Previous track buttons on your speaker.
3. Press and hold the Fast-forward button or Rewind button to move through the current track. Release the button when the desired point is reached.

#### Note:

- Not all player applications or devices may respond to all of these controls.
- Some mobile phones may temporarily disconnect from the speaker when you make or receive calls. Some devices may temporarily mute their Bluetooth audio streaming when they receive text messages, emails or for other reasons unrelated to audio streaming. Such behavior is a function of the connected device and does not indicate a fault with the speaker.
- The display will show the track information such as title, artist, album, etc., when playing in Bluetooth mode.

### Playing a previously-paired Bluetooth source device

The speaker can memorize up to 8 sets of paired device, when the memory exceed this amount, the oldest pairing history will be over written. If your Bluetooth device already paired with the speaker previously, the unit will memorize your Bluetooth device and it attempts

to reconnect with a device in memory which is last connected. If the last connected device is not available, the speaker will be discoverable.

### Disconnecting your Bluetooth device

Press and hold the Bluetooth pairing button for 2-3 seconds until “Pairing” is shown on the display to disconnect with your Bluetooth device or turn off Bluetooth on your Bluetooth device to disable the connection.

### Deleting Bluetooth paired device memory

To clear the memory of all paired devices, press and hold the Bluetooth pairing button for more than 5 seconds until you hear two beeps.

## TRUE WIRELESS STEREO (TWS) FUNCTION

True wireless stereo (TWS) is a feature that allows one device to wirelessly connect with another device. You can use the TWS function to connect it to a second DMR203 and play your music through two speakers.

### Set up the first speaker

1. Make sure the first speaker is in Bluetooth mode and connect to a Bluetooth device.
2. Press the Plus button, the display will show **[ST] • [MULTI]**. **[ST]** will flash on the display. Press the Plus button to enter the “ST Pair” mode. If no buttons are pressed for 10 seconds, the speaker will also enter the “ST Pair” mode. The display will show “ST Pair” and “Pair” will flash 1 minute.

### Set up the second speaker

1. Make sure a second speaker is in Bluetooth mode.
2. Press the Plus button, the display will show **[ST] • [MULTI]**. **[ST]** will flash on the display. Press the Plus button to enter the “ST Pair” mode. If no buttons are pressed for 10 seconds, the speaker will also enter the “ST Pair” mode. When the connection is successful, **[L - ST - R]** will be shown on both displays at the same time. The EQ setting will revert to Flat mode (initial setting).

#### Note:

Set up the second speaker within 1 minute. If you do not set it up within 1 minute, the setting of the first speaker will be canceled.

### Start playback

1. Start playback on the connected Bluetooth device and adjust the volume on the Bluetooth device or one of the speakers for comfortable listening.

#### Note:

Volume or EQ (not including Bass/Middle/Treble) adjustment of one speaker is reflected on the other.

- Use the controls on your Bluetooth device to play/pause and navigate tracks. Alternatively, control the playback using Play/Pause, Next track and Previous track buttons on the one of the speakers. The display on the first speaker will show the track information such as title, artist, album, etc.
- Press and hold the Fast-forward button or Rewind button on the one of the speakers to move through the current track. Release the button when the desired point is reached.

## Switching the audio mode

- Using two speakers, you can switch between **L-ST-R**, **R-ST-R** and **L-ST-L** mode.
- Press the L/R button on either of the speakers to change the audio mode.
- L-ST-R mode**: Both speakers play the same sound. It is the initial setting.
- R-ST-R** and **L-ST-L mode**: One speaker plays the sound on the right channel, while the other speaker plays the sound on the left channel for stereo playback between the speakers.

## Disconnecting the TWS Function

Press and hold the Plus button to disconnect the TWS function.

# ENJOYING WIRELESS PLAYBACK USING MULTIPLE SPEAKERS

You can enjoy music at the same time by combining up to 10 devices which are compatible with this function.

## Set up the first speaker

- Make sure the first speaker is in Bluetooth mode and connect to a Bluetooth device.
- Press the Plus button, the display will show **ST** · **MULTI**.
- Select **MULTI** by pressing the L/R button. **MULTI** will flash on the display. Press the Plus button to enter "MULTI Pair" mode. If no buttons are pressed for 10 seconds, the speaker will also enter the "MULTI Pair" mode. The display will show "MULTI Pair" and "Pair" will flash 1 minute.

## Connect the second and more speakers

- Make sure the multiple speakers are all in Bluetooth mode.
- Press the Plus button, the display will show **ST** · **MULTI**.
- Select **MULTI** by pressing the L/R button. **MULTI** will flash on the display. Press the Plus button to enter the "MULTI Pair" mode. If no buttons are pressed for 10 seconds, the speaker will also enter the "MULTI Pair" mode. When the connection is successful, the display will

be shown "PARENT" (the master speaker) on the first speaker and the other displays are all shown "CHILD" (the secondary speaker). The EQ setting will revert to Flat mode (initial setting).

### Note:

When connecting the second and more speakers, connect it within 1 minute after setting the first speaker. After 1 minute, the speaker cannot be connected.

## Add a new secondary speaker

If you want to add another speaker after connecting, operate below steps:

- Make sure the new speaker is in Bluetooth mode.
- Press the Plus button on the master speaker, the display will show "MULTI ADD" and "ADD" will flash on the display.
- Press the Plus button on the new speaker, the display will show **ST** · **MULTI**.
- Select **MULTI** by pressing the L/R button. **MULTI** will flash on the display. Press the Plus button to enter the "MULTI Pair" mode. If no buttons are pressed for 10 seconds, the speaker will also enter the "MULTI Pair" mode. When the connection is successful, "CHILD" (the secondary speaker) will be displayed on the new speaker. The EQ setting will revert to Flat mode (initial setting).

## Start playback

- Start playback on the connected Bluetooth device and adjust the volume on the Bluetooth device or on the speakers for comfortable listening. The same music is played from all speakers.

### Note:

Only for the master speaker, the volume or EQ (not including Bass/Middle/Treble) adjustment will be synchronized with the other speakers. For other speakers, adjust the volume or EQ individually with each speaker.

- Use the controls on your Bluetooth device to play/pause and navigate tracks. Alternatively, control the playback using Play/Pause, Next track and Previous track buttons on the master speaker. The display on the master speaker will show the track information such as title, artist, album, etc.
- Press and hold the Fast-forward button or Rewind button on the master speaker to move through the current track. Release the button when the desired point is reached.

## Disconnecting the multiple speakers

- To disconnect only one secondary speaker, press and hold the Plus button of the secondary speaker you want to disconnect.
- To disconnect all connections and exit the multiple

speakers group, press and hold the Plus button of the master speaker.

## Equalizer function

1. Press the Power button to switch on your speaker.
2. Press the EQ control button to select your required mode (FLAT/JAZZ/ROCK/CLASSIC/POP/NEWS).
3. To set up the bass, middle and treble, press the EQ control button until "Bass" flashes on the display.
4. Press the Volume up/down button to select your required bass level. Press the EQ control button to confirm the setting and enter the "Mid." (Middle) setting.
5. Press the Volume up/down button to select your required middle level. Press the EQ control button to confirm the setting and enter the "Tre." (Treble) setting.
6. Press the Volume up/down button to select your required treble level. Press the EQ control button to confirm the setting.

## Playing music via auxiliary input socket

A 3.5mm Auxiliary input socket is provided on the right side of the unit to permit an audio signal to be fed into the unit from any devices that features a headphone or audio output, such as MP3 or CD player.

1. Connect a stereo or mono audio source (for example, MP3 or CD player) to the Auxiliary input socket (marked 'AUX IN'), the speaker will be switched from Bluetooth to auxiliary input mode.
2. Adjust the Volume control on your MP3 or CD player to ensure an adequate signal and then adjust the volume on the speaker for comfortable listening.

### Note:

To have the better sound quality, we recommend setting the volume to more than two-thirds level on your audio device and then adjust the volume on the speaker as required.

The display does not show the information such as title, artist, album, etc., when playing via auxiliary input socket.

## MAINTENANCE

### ⚠ CAUTION:

- Never use gasoline, benzine, thinner, alcohol or the like. Discoloration, deformation or cracks may result.
- Do not wash the speaker with water.

## SPECIFICATIONS

<b>Amplifier</b>	
Output power	10.8V-12Vmax:3.5W 14.4V:6W 18V:10W
Frequency response	50Hz~20kHz
<b>Aux In</b>	
Input sensitivity	250mVrms @100Hz
<b>Speaker</b>	
Main speaker	101.6mm 8ohm 10W
Tweeter speaker	36mm 8ohm 10W

<b>Bluetooth®</b> (The Bluetooth® word mark and logos are registered trademarks owned by Bluetooth SIG, Inc.)	
Bluetooth version	5.0 Certified
Bluetooth Profiles	A2DP/SCMS-T/AVRCP
Transmission Power	Power Class2
Transmission Range	Optimum: Max.10 meters (33 feet) Possible: Max.30 meters (100 feet) (varies according to usage conditions)
Supported codec	SBC
Compatible Bluetooth profile	A2DP/AVRCP
Maximum speaker-frequency power	BT EDR: 3.08dBm BT LE: 3.88dBm
Operating Frequency	2402MHz~2480MHz

<b>USB charging socket</b>	
Maximum supplying power of USB socket	5V, 2.1A

<b>General</b>	
AC power adaptor	DC in 12V 1.5A, center pin positive
Battery	Slide battery: 10.8 V-12Vmax 14.4 V 18 V
Dimensions(W x H x D)	206mm x 199mm x 217mm
Weight	2.7KG (without battery)

The company reserves the rights to amend the specification without notice.

**Makita Europe N.V.** Jan-Baptist Vinkstraat 2,  
3070 Kortenberg, Belgium

**Makita Corporation** 3-11-8, Sumiyoshi-cho,  
Anjo, Aichi 446-8502 Japan

DMR203-ENEU-2001  
3A81dF5Z4000A

[www.makita.com](http://www.makita.com)

SJN