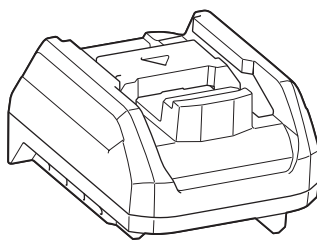


INSTRUCTION MANUAL



Interchangeable Adapter

ADP10



Read before use.

WARNING

This appliance can be used by children aged from 8 years and above and persons with reduced physical, sensory or mental capabilities or lack of experience and knowledge if they have been given supervision or instruction concerning use of the appliance in a safe way and understand the hazards involved. Children shall not play with the appliance. Cleaning and user maintenance shall not be made by children without supervision.

Symbols

The followings show the symbols used for the equipment. Be sure that you understand their meaning before use.



Indoor use only.



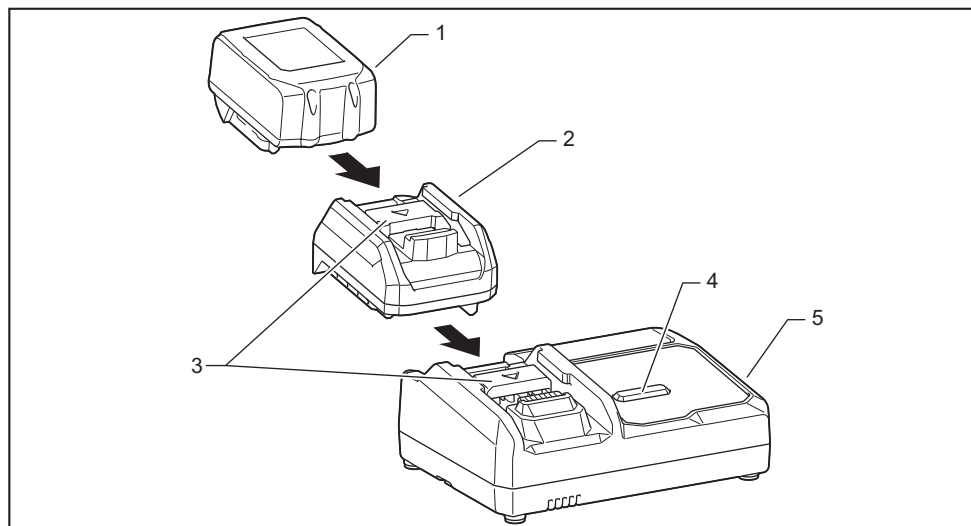
Read the instruction manual.



Ni-MH
Li-ion

Only for EU countries
Do not dispose of electric equipment or battery pack together with household waste material! In observance of the European Directives, on Waste Electric and Electronic Equipment and Batteries and Accumulators and Waste Batteries and Accumulators and their implementation in accordance with national laws, electric equipment and batteries and battery pack(s) that have reached the end of their life must be collected separately and returned to an environmentally compatible recycling facility.

PARTS DESCRIPTION



1. Battery cartridge
2. Interchangeable adapter
3. Terminal cover
4. Charging light
5. Battery charger

Charging time

The charging time is as following table.

*A (V)	*B	*C (Ah)	*D	*E
				DC40RA
14.4	BL1415	1.3	4	15
	BL1415N, BL1415NA	1.5	4	15
	BL1430, BL1430B	3.0	8	22
	BL1440	4.0	8	29
	BL1450	5.0	8	40
	BL1460A, BL1460B	6.0	8	40
18	BL1815	1.3	5	15
	BL1815N	1.5	5	15
	BL1820B	2.0	5	24
	BL1830, BL1830B	3.0	10	22
	BL1840, BL1840B	4.0	10	29
	BL1850, BL1850B	5.0	10	40
	BL1860B	6.0	10	40

*A. Voltage

*B. Battery type

*C. Capacity (according to IEC61960)

*D. Number of cells

*E. Charging time (min.)

NOTE: Charging time varies by temperature (10°C (50°F)–40°C (104°F)) that battery cartridge is charged at and conditions of the battery cartridge, such as a battery cartridge which is new or has not been used for a long period of time.

SAFETY WARNINGS

SAVE THESE INSTRUCTIONS – This manual contains important safety and operating instructions for the interchangeable adapter.

- Before using this adapter, read all instructions and cautionary markings on this adapter, battery charger, battery cartridge, and product using the battery.
- CAUTION** – To reduce risk of injury, charge only Makita rechargeable batteries. Other types of batteries may burst causing personal injury and damage.
- Use this adapter with the battery charger below.
 - DC40RA
- This adapter cannot charge non-rechargeable batteries.
- Use a power source with the voltage specified on the nameplate of the charger.
- Do not charge the battery cartridge in presence of flammable liquids or gases.
- Do not expose this adapter and battery charger to rain, snow, or wet condition.
- Never carry charger by cord or yank it to disconnect from receptacle.
- Do not carry charger by this adapter installed to the charger or by the battery cartridge installed to this adapter. Otherwise it may cause falling and result personal injury.
- After charging or before attempting any maintenance or cleaning, unplug the charger from the power source. Pull by plug rather than cord whenever disconnecting charger.
- Make sure cord is located so that it will not be stepped on, tripped over, or otherwise subjected to damage or stress.
- Do not operate charger with damaged cord or plug. If the cord or plug is damaged, ask Makita authorized service center to replace it in order to avoid a hazard.
- Do not disassemble this adapter. Reassembly may result in a risk of electric shock or fire.
- Do not operate this adapter if it has received a sharp blow, been dropped, or otherwise damaged in any way; take it to Makita authorized service center. Incorrect use may result in a risk of electric shock or fire.
- Do not charge battery cartridge when room temperature is BELOW 10°C (50°F) or ABOVE 40°C (104°F). At the cold temperature, charging may not start.

16. Do not attempt to use a step-up transformer, an engine generator or DC power receptacle.
17. Do not allow anything to cover or clog the charger vents.
18. Do not plug or unplug the cord and insert or remove the battery and adapter with wet hands.
19. Never use gasoline, benzine, thinner, alcohol or the like to clean this adapter. Discoloration, deformation or cracks may result.
4. When the battery cartridge is inserted fully, charging will begin.
5. After charging, remove the battery cartridge from the adapter while sliding the button on the battery cartridge.
6. Remove the adapter from the charger while sliding the button on the adapter. Then unplug the charger.

Charging

⚠ CAUTION: Follow the steps instructed in this manual. If you insert the battery with the adapter to the charger mounted on the wall, the battery or the adapter may come off and fall off.

1. Plug the battery charger into the proper AC voltage source.
2. Insert the adapter into charger until it stops adjusting to the guide of charger.
3. Insert the battery cartridge to the adapter.

NOTICE: This adapter is for charging Makita battery cartridge. Never use it for other purposes or for other manufacturer's batteries.

NOTE: The terminal cover of the charger opens as you insert the adapter and closes as you pull out the adapter.

The terminal cover of the adapter also opens as you insert the battery cartridge and closes as you pull out the battery cartridge.

NOTE: The pattern of the indicator lamps is varies depending on the charger.

Refer the instruction manual of the charger to check the status of charging.

Makita Europe N.V. Jan-Baptist Vinkstraat 2,
3070 Kortenberg, Belgium

Makita Corporation 3-11-8, Sumiyoshi-cho,
Anjo, Aichi 446-8502 Japan