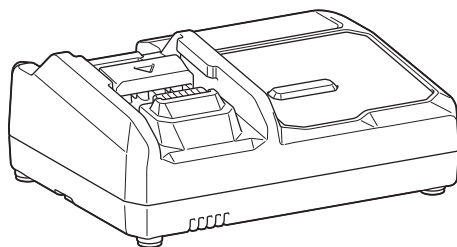


INSTRUCTION MANUAL

Fast Charger DC40RA











Read before use.

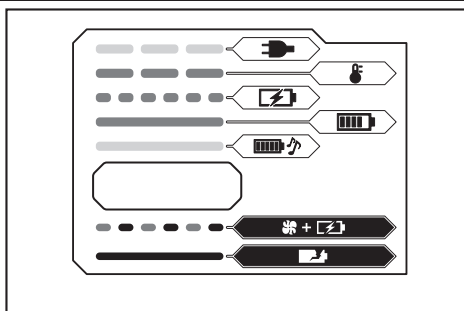
WARNING








This appliance can be used by children aged from 8 years and above and persons with reduced physical, sensory or mental capabilities or lack of experience and knowledge if they have been given supervision or instruction concerning use of the appliance in a safe way and understand the hazards involved. Children shall not play with the appliance. Cleaning and user maintenance shall not be made by children without supervision.

Symbols

The followings show the symbols used for the equipment. Be sure that you understand their meaning before use.

	Indoor use only.
	Read the instruction manual.
	DOUBLE INSULATION
	Do not short battery.
	Do not expose battery to water or rain.
	Do not destroy battery by fire.
 Li-ion	Always recycle battery.
 Li-ion	Only for EU countries Do not dispose of electric equipment or battery pack together with household waste material! In observance of the European Directives, on Waste Electric and Electronic Equipment and Batteries and Accumulators and Waste Batteries and Accumulators and their implementation in accordance with national laws, electric equipment and batteries and battery pack(s) that have reached the end of their life must be collected separately and returned to an environmentally compatible recycling facility.



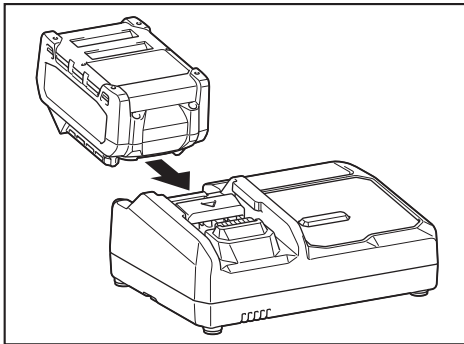
	Ready to charge.
	Delay charge (Battery cooling, too cold battery, or waiting for charging).
	Charging (0 - 80 %).
	Charging (80 - 100 %).
	Charging complete.
	Charging (Cooling abnormality).
	Defective battery.

CAUTION

1. **SAVE THESE INSTRUCTIONS** – This manual contains important safety and operating instructions for battery charger.
2. Before using battery charger, read all instructions and cautionary markings on (1) battery charger, (2) battery, and (3) product using battery.
3. **CAUTION** – To reduce risk of injury, charge only Makita type rechargeable batteries. Other types of batteries may burst causing personal injury and damage.
4. Non-rechargeable batteries cannot be charged with this battery charger.
5. Use a power source with the voltage specified on the nameplate of the charger.
6. Do not charge the battery cartridge in presence of flammable liquids or gases.
7. Do not expose charger to rain, snow, or wet condition.
8. Never carry charger by cord or yank it to disconnect from receptacle.
9. After charging or before attempting any maintenance or cleaning, unplug the charger from the power source. Pull by plug rather than cord whenever disconnecting charger.
10. Make sure cord is located so that it will not be stepped on, tripped over, or otherwise subjected to damage or stress.
11. Do not operate charger with damaged cord or plug. If the cord or plug is damaged, ask Makita authorized service center to replace it in order to avoid a hazard.
12. Do not operate or disassemble charger if it has received a sharp blow, been dropped, or otherwise damaged in any way; take it to a qualified serviceman. Incorrect use or reassembly may result in a risk of electric shock or fire.
13. Do not charge battery cartridge when room temperature is BELOW 10°C (50°F) or ABOVE 40°C (104°F). At the cold temperature, charging may not start.
14. Do not attempt to use a step-up transformer, an engine generator or DC power receptacle.
15. Do not allow anything to cover or clog the charger vents.
16. Do not plug or unplug the cord and insert or remove the battery with wet hands.
17. Never use gasoline, benzine, thinner, alcohol or the like to clean the charger. Discoloration, deformation or cracks may result.

Charging

1. Plug the battery charger into the proper AC voltage source. Charging lights will flash slowly in green color repeatedly.
2. Insert the battery cartridge into charger until it stops adjusting to the guide of charger.



3. The terminal cover of the charger can be opened with inserting and closed with pulling out the battery charger.
3. When the battery cartridge is inserted, the charging light color will change from green to blue and charging will begin. The fast blue flashing light indicates charged condition in 0–80 % and the blue charging light will keep lighting up steadily indicate 80–100 %. The 80 % indication mentioned above is approximate value. The indication may differ according to battery temperature or battery condition.
4. With finish of charge, the charging light will change from blue one to green one and the melody sound or buzzer sound (a long beep) comes out to notify completion of charge.
5. After charging, remove the battery cartridge from charger and unplug the charger.

NOTE: Charging time varies by temperature (10°C (50°F)–40°C (104°F)) that battery cartridge is charged at and conditions of the battery cartridge, such as a battery cartridge which is new or has not been used for a long period of time.

Voltage	Number of cells	Li-ion battery cartridge	Capacity (Ah) according to IEC61960	Charging time (Minutes)
40 V (max.)	10	BL4025	2.5	28
40 V (max.)	10	BL4040	4	45

NOTICE: The battery charger is for charging Makita-battery cartridge. Never use it for other purposes or for other manufacturer's batteries.

NOTE: If the charging light flashes slowly in blue color, charging may not start due to the condition of the battery cartridge as below:

- Battery cartridge from just-operated tool or battery cartridge that has been left in a location exposed to direct sunlight for a long time.
- Battery cartridge that has been left for a long time in a location exposed to cold air.

NOTE: When the battery cartridge is too hot, charging does not begin until the battery cartridge temperature reaches the degree at which charging is possible.

NOTE: If the charging light changes to red color, charging is not possible. The terminals on the charger or battery cartridge are clogged with dust or the battery cartridge is worn out or damaged.

Changing melody upon completion of charging

1. Inserting the battery cartridge into charger brings out last preset brief melody sound of completed charging.
2. Removing and re-inserting it within five seconds after this action makes the melody sound change.
3. Every time removing and re-inserting it within another five seconds after this, the melody sound changes in order.
4. When the desired melody sound comes out, leave the battery cartridge being inserted and the charge will begin. When a "short beep" mode is selected, no completed charging signals comes out. (Silent Mode)
5. With finish of charge, the charging light will light up in green and the melody sound preset at the insertion of battery cartridge or buzzer sound (a long beep) comes out to notify completion of charge. (In selected silent mode, no sounds come out.)
6. Preset melody sound remains stored even when the charger is unplugged.

Cooling system

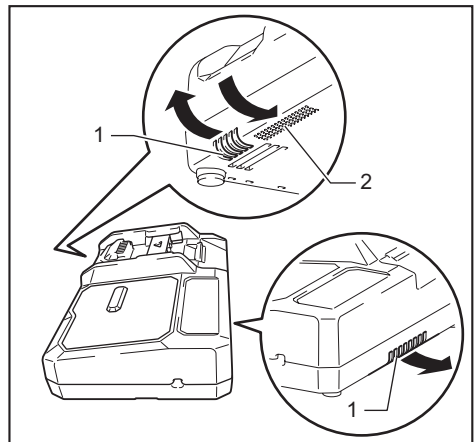
This charger is equipped with cooling fan for heated battery in order to enable the battery to prove its own performance. Sound of cooling air comes out during cooling, which means no trouble on the charger.

Blue and red light will flash alternately for warning in the following cases.

- Trouble on cooling fan
- Incomplete cool down of battery, such as, being clogged with dust

The battery can be charged in spite of the alternate blue and red light. But the charging time will be longer than usual in this case. Check the sound of cooling fan, vent on the charger and battery, which can be sometime clogged with dust.

Always keep clean the vent on charger and battery for cooling.



► 1. Exhaust vent 2. Intake vent

NOTE: The cooling system is in order although no sound of cooling fan comes out, if the blue and red light will not flash.

NOTE: The products should be sent to repair or maintenance, if the blue and red light flashes alternately so often.

Wall mounting

⚠ WARNING: Make sure to use two screws for hanging the charger on the wall, and anchor the charger on the wall with another screw. Otherwise the charger may fall and cause serious injury.

⚠ WARNING: Always be sure that the charger is unplugged and the battery is removed from the charger before performing wall mounting work.

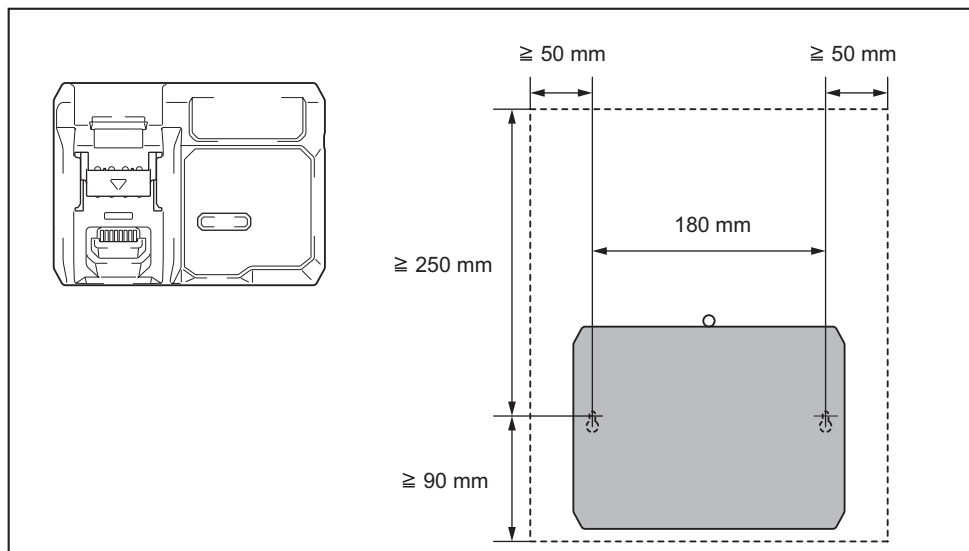
⚠ WARNING: Follow the steps instructed in this manual, and complete the whole procedures at once. The charger may fall and cause injury or damage if you stop the work in the half way.

⚠ WARNING: Check tightness of the screws on regular basis. Otherwise the charger may fall because of loosen screw.

⚠ WARNING: Clean the terminal parts of the charger on regular basis with an air duster etc.

⚠ CAUTION: Carefully choose a stable wall for mounting the charger. Make sure there is no hindrance to mounting work or charging operation. The gross weight of the charger and battery reach approximately 2.1 kg (4.6 lbs). Provide sufficient reinforcement for the wall if necessary.

You can mount the charger on the wall. Make a clearance around the charger as shown in the figure.



NOTE: Things you need to prepare:

— Two screws - hanging the charger

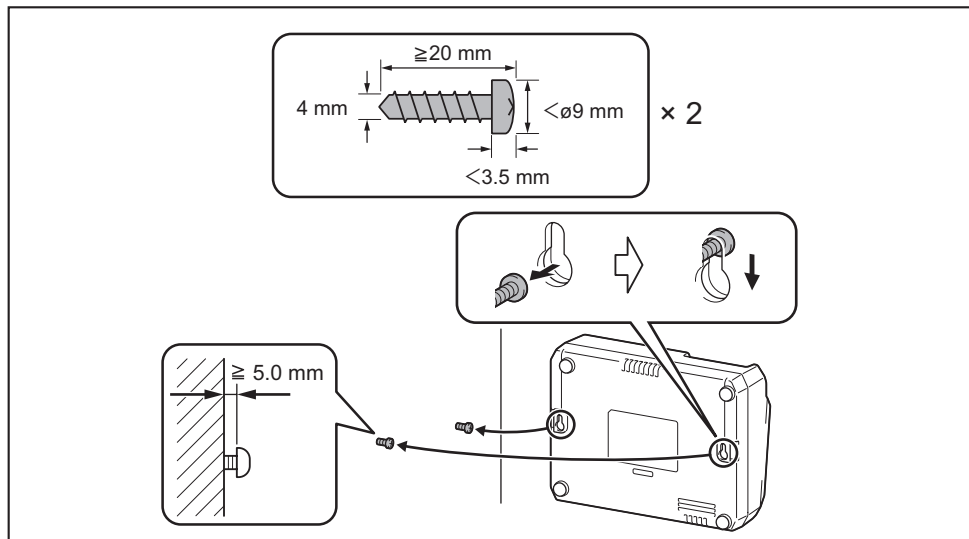
Screw size : 4.0 mm x more than 20 mm.

Screw head size : Less than $\varnothing 9.0$ mm and less than 3.5 mm thickness.

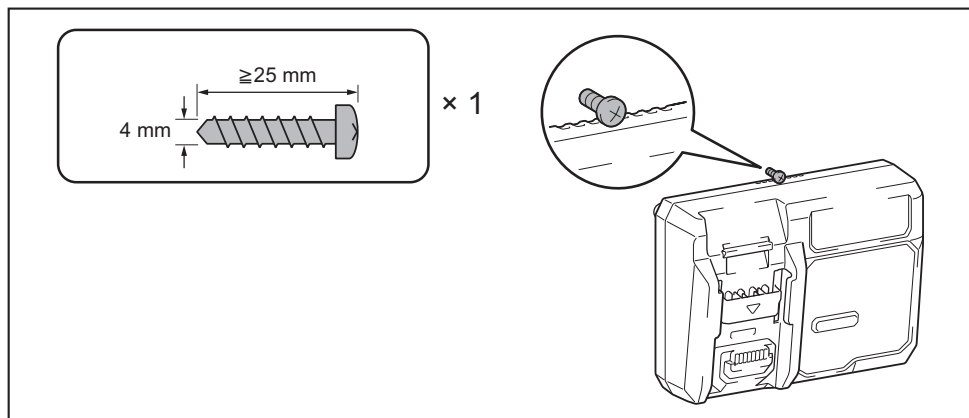
— One screw (4.0 mm x more than 25 mm) - for anchoring the charger.

— Tools - for tightening screws

1. Fix two screws for hanging on the wall.
2. Hang the charger on the wall using the hook on the back.



3. Fix the charger by tightening an anchor screw at the top of the charger.



Makita Europe N.V. Jan-Baptist Vinkstraat 2,
3070 Kortenberg, Belgium

Makita Corporation 3-11-8, Sumiyoshi-cho,
Anjo, Aichi 446-8502 Japan

www.makita.com

885750-222 EN 20190625
