

# INSTALLATION INSTRUCTIONS



Trusted in New Zealand Since 1982

## SHOWER

## VALENCIA ELITE Round Sliding



Englefield has a history of making superb showers and their popularity is testament to their quality and affordability.

It's the details that Englefield cares about - from pioneering the latest technology, to innovative design, it's all to make your showering experience the very best it can be.



Note: Tapware and accessories not included.

## BEFORE YOU BEGIN

Before installing the shower please read these instructions carefully to familiarise yourself with the required tools, materials and installation sequences. Please leave these instructions for the consumer after installation. Refer to the separate care and maintenance guide for important care and cleaning information.

Ensure that the shower tray and wall, if applicable, are completely finished prior to installing your shower door and return. Follow all warnings, cautions and instructions contained in this guide.



### SAFETY

1. ENGLEFIELD strongly recommends that a minimum of TWO persons install this enclosure due to the weight of the door panels.
2. Toughened safety glass cannot be cut. Risk of injury or product damage.
3. Wear protective footwear when lifting panels.
4. Wear safety glasses when drilling.

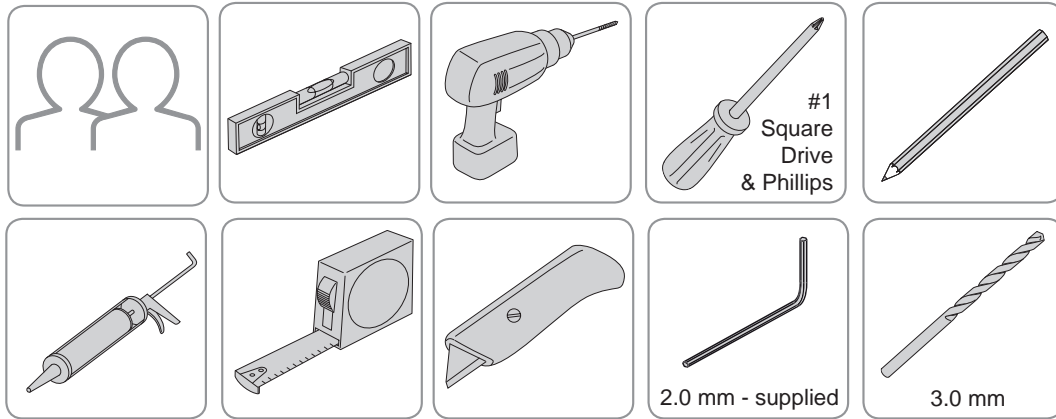


### ATTENTION

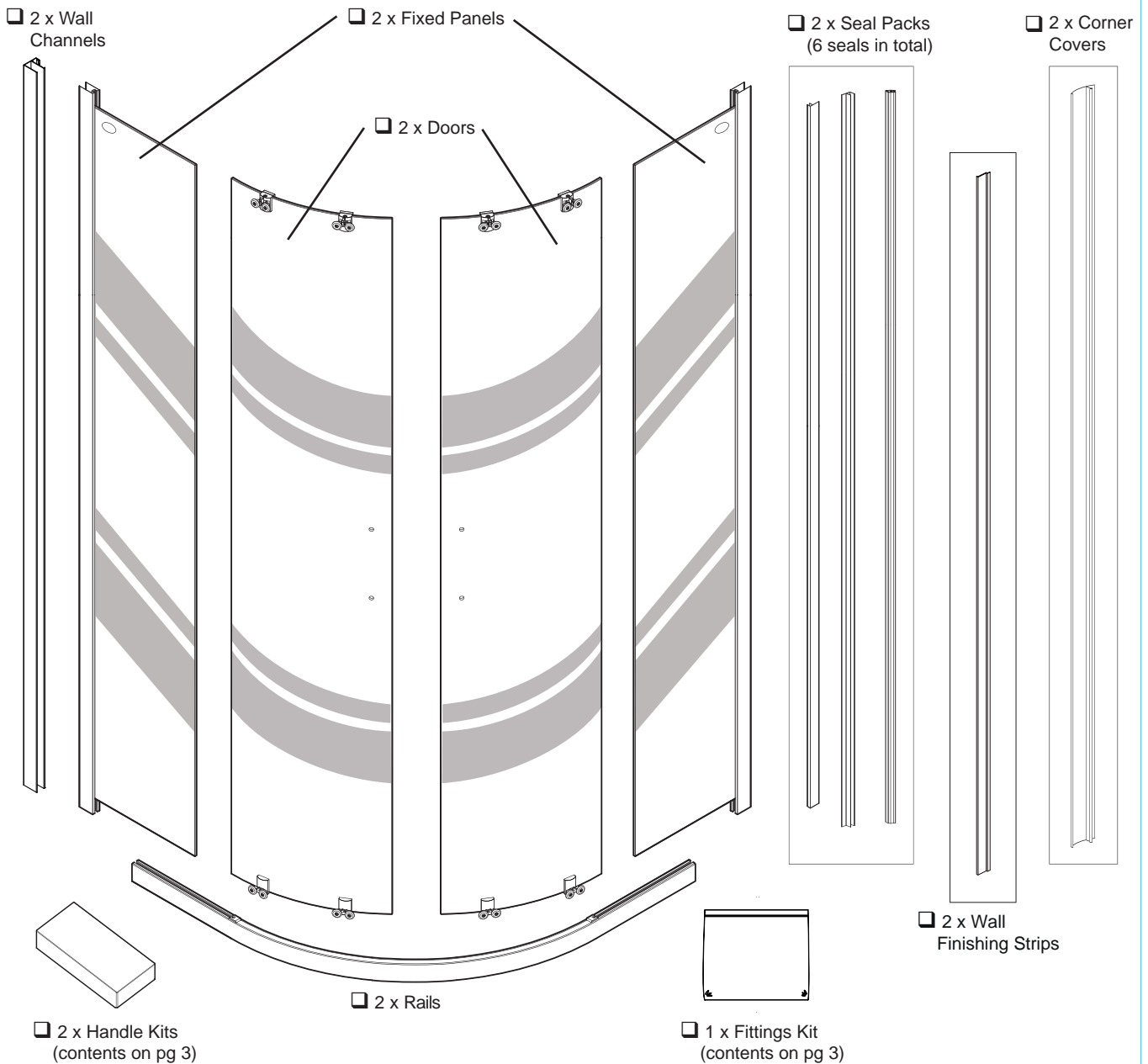
1. The wall retainers must be installed onto a waterproof, vertical and flat wall surface. Failure to do so will result in an unsatisfactory seal, which may cause property damage. The wall inclination (out of squareness) is recommended to be out by no more than **+/- 4mm/m**.
2. Please install this door onto an ENGLEFIELD Quick - Fit® Low Profile shower tray only, unless installing directly onto tiled walls and floor.
3. Care must be taken when drilling into walls and floors to avoid any hidden pipes or wires.
4. It is the responsibility of the INSTALLER to ensure that the installation complies with council and or local authority bylaws.

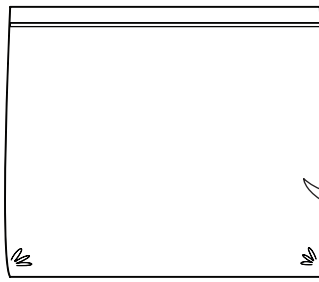
Instructions, drawings, and diagrams contained in this manual present information available at the time of printing. Although every attempt has been made to keep them up-to-date, Englefield reserves the right to implement product changes without further notice.

TOOLS AND MATERIALS REQUIRED

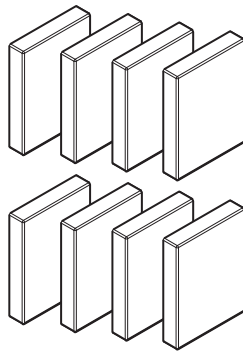


PARTS IDENTIFICATION



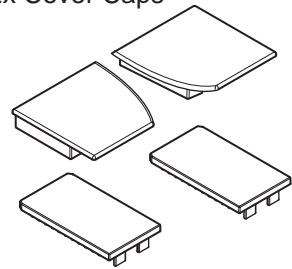


1 x Fittings Kit

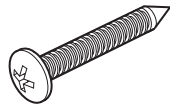


8x Roller Caps

2x Cover Caps



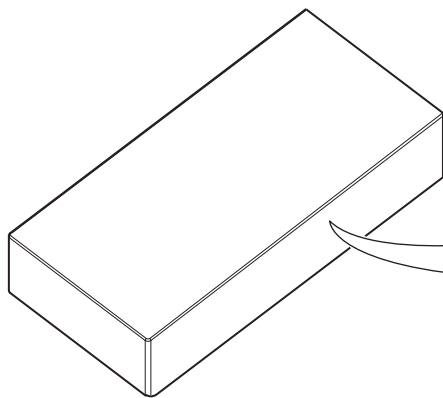
2x Cover Caps



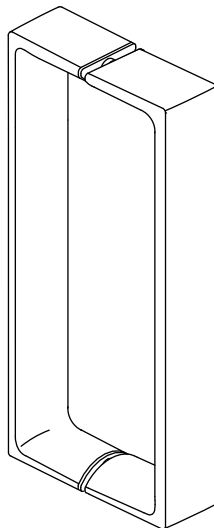
16x Fixing Screws



8x Short Screws



2 x Handle Kits



Handle Assembly



Hex Key

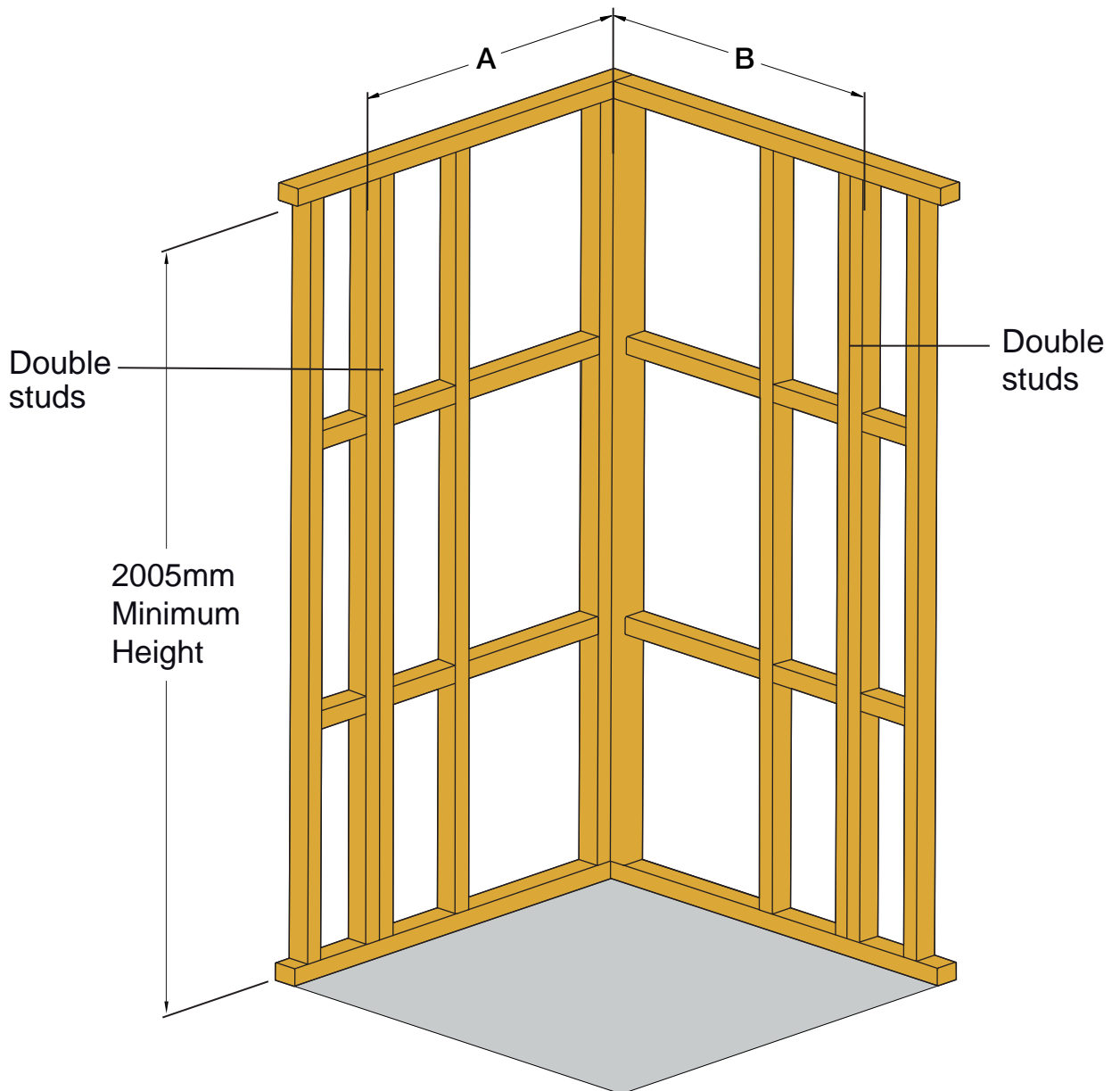
CONSTRUCTION REQUIREMENTS



**ATTENTION**

Due to the weight of the glass panels Englefield strongly recommends constructing double studs (as below) to fix the wall retainers to.

Size	Dim 'A'	Dim 'B'
900 x 900	900	900
1000 x 1000	1000	1000
1200 x 900 LH	1200	900
1200 x 900 RH	900	1200



## INSTALLATION - Options

### OPTION 1 - Acrylic Wall & Tray

**Tray:** For tray installation refer to the instructions supplied with the tray.

**Wall:** For wall installation refer to the instructions supplied with the wall.

- Proceed to Door and Return Installation.

### OPTION 2 - Tiled Wall & Acrylic Tray

**Tray:** For tray installation please refer to the instructions supplied with the tray.

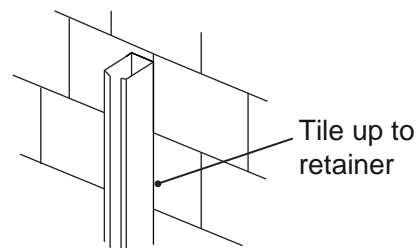
**Wall:**

- The vertical wall retainers **MUST** be installed onto the waterproof membrane **PRIOR TO WALL TILING**. If possible the complete door system should be installed onto the waterproof membrane prior to wall tiling.

**CAUTION:** Failure to install the wall retainers first may mean the door system may not fit on the shower tray due to the tile thickness.

- If not installing the complete door system prior to tiling, install the wall retainers and tiles. The retainer cover extrusion can be inserted after tiling - there is no need to leave a tiling gap. Refer to image.

- Proceed to Door and return installation.



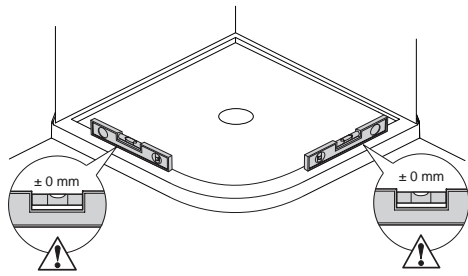
### OPTION 3 - Tiled Wall & Floor

- The door and return can be installed directly onto the wall and floor tiles.

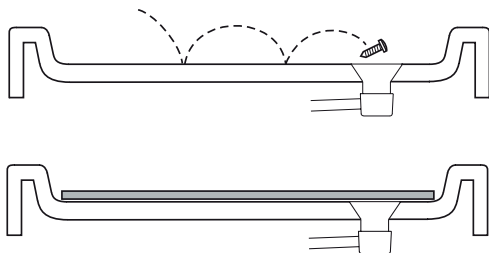
- Proceed to Door and Return Installation.

INSTALLATION

1



**Caution:** Ensure tray or tiled floor is level & walls are vertical & square.

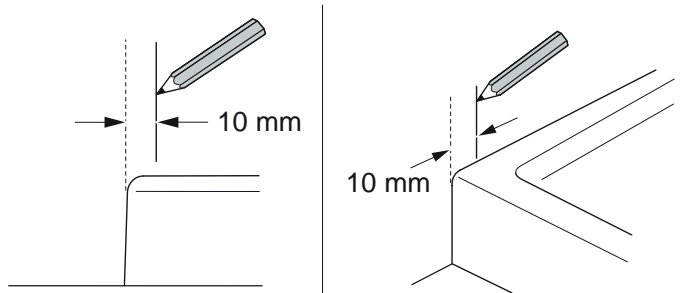


**Tip:** Cover the waste to prevent the loss of small parts. If installing onto a tray protect the tray surface during installation.

(a) Mark the locations of the wall retainers.

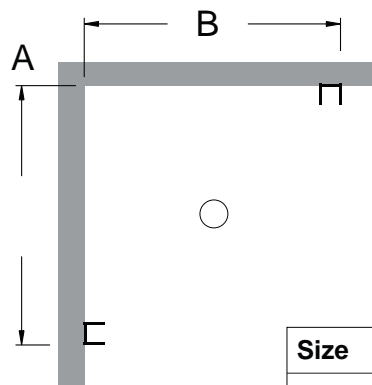
**For tray base option:**

- Mark 10mm in from top edge of tray.



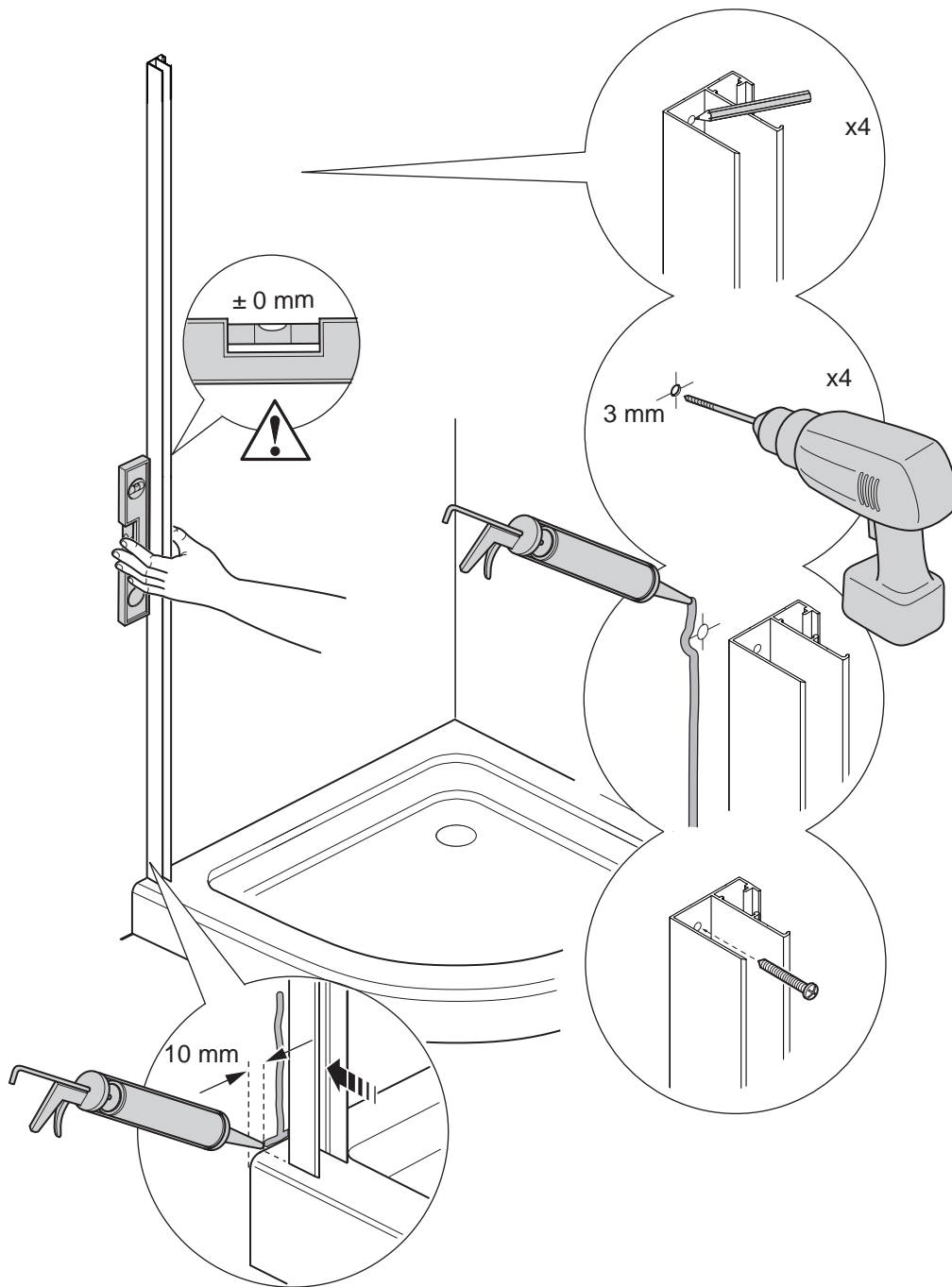
**For tiled base option:**

- Mark from finished wall to outer edge of retainer.



Size	A	B
900 x 900	875	875
1000 x 1000	975	975
1200 x 900 LH	1175	875
1200 x 900 RH	875	1175

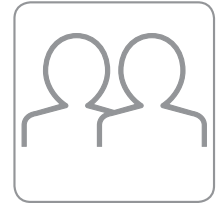
2



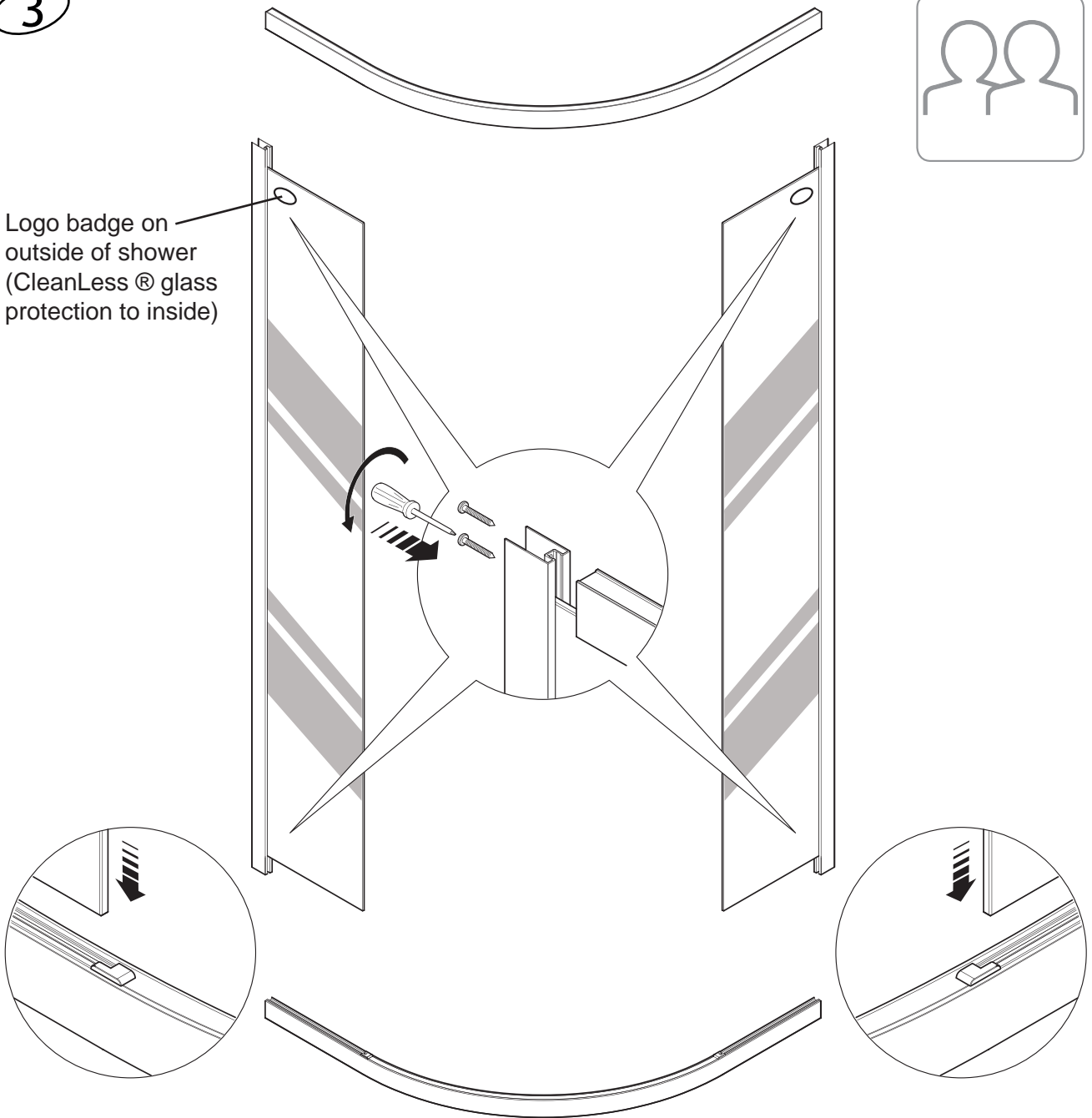
- (a) Position the wall channels on the wall. The flange with pre-drilled holes should face inside the shower enclosure. Using a level, make sure that the channel is upright.
- (b) Mark the position of the fixing holes down the centre of the channel, then remove the channel.
- (c) Drill with a 3mm bit. For other types of wall structure, alternative fixings may be required (not supplied).
- (d) Apply silicone sealant along the length of the wall and at the bottom where the wall channel will be placed, including the top of the tray.
- (e) Position the wall channels on the wall and install the fixing screws.
- (f) Fully tighten the fixing screws, making sure that the wall channels are upright.
- (g) Repeat the process for the other wall channel.



3



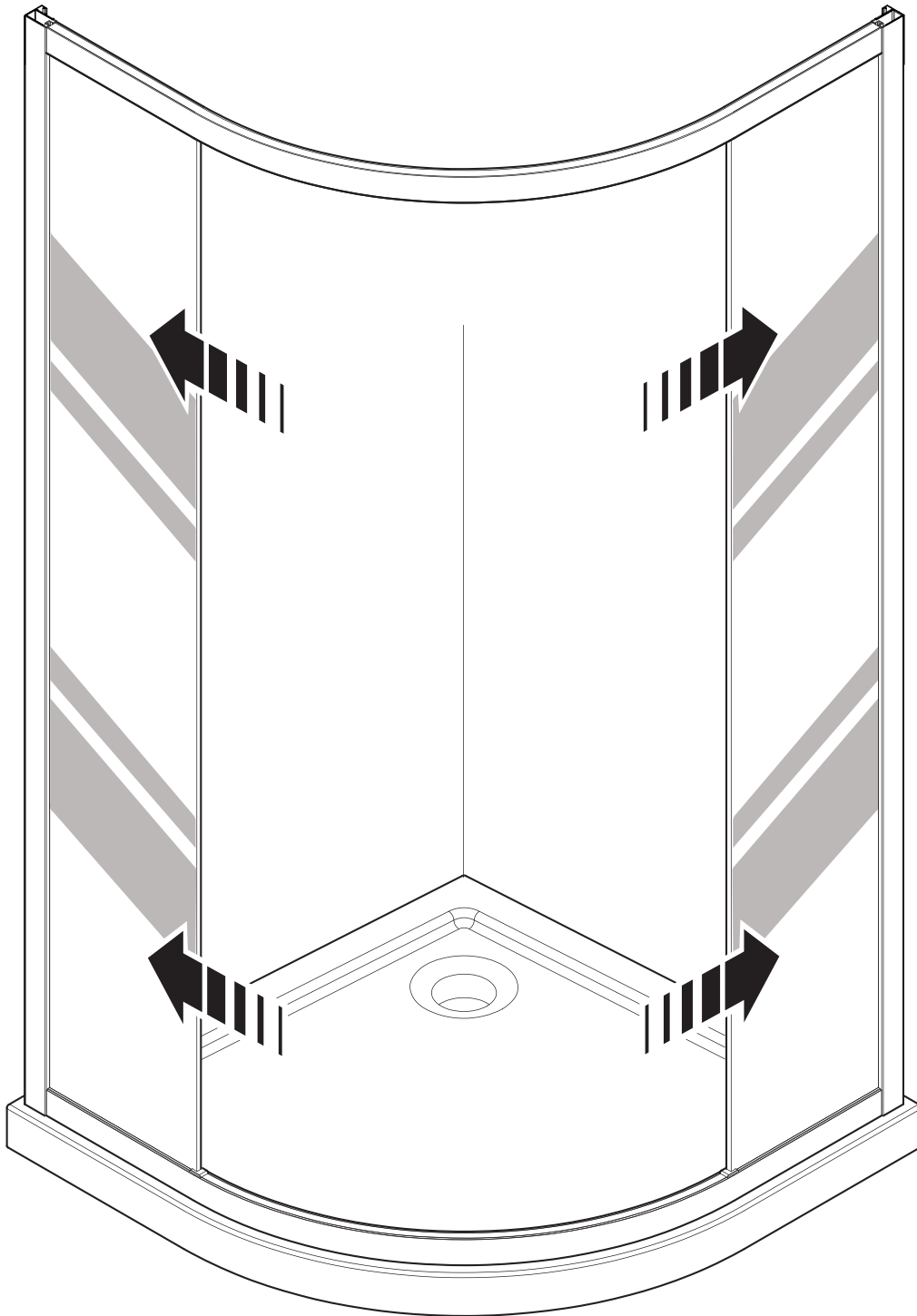
Logo badge on outside of shower  
(CleanLess® glass protection to inside)



**Note! This process requires two persons. Assemble outside the shower area.**

- (a) Place one of the curved rails onto the floor and insert the glass panels, making sure the glass locates correctly in the seal.
- (b) Install the fixing screws to secure the glass panel frames to the bottom rail.
- (c) Place the other curved rail in position, making sure that it locates correctly over the glass panels.
- (d) Install the fixing screws to secure the glass panel frames to the top rail.
- (e) Retighten all the screws, making sure that the whole assembly is secure and square.

4

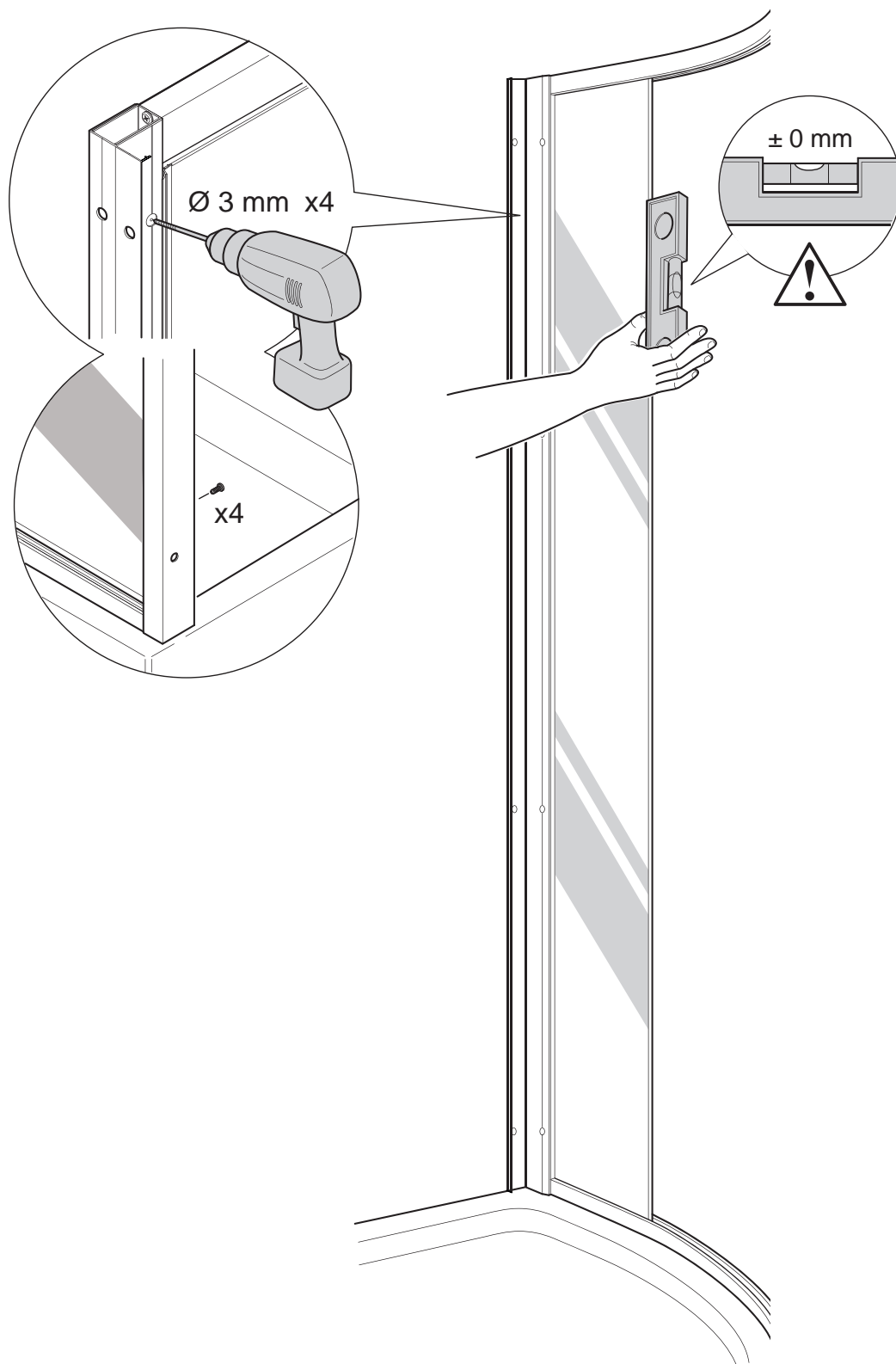


**Note! This process requires two persons.**

**Make sure the enclosure is kept parallel when lifting into place.**

- (a) Lift the shower assembly into position and fit the upright frame posts into the fixed wall channels on both sides of the enclosure.
- (b) Centralise the enclosure within the wall channels and make sure everything is level.

5



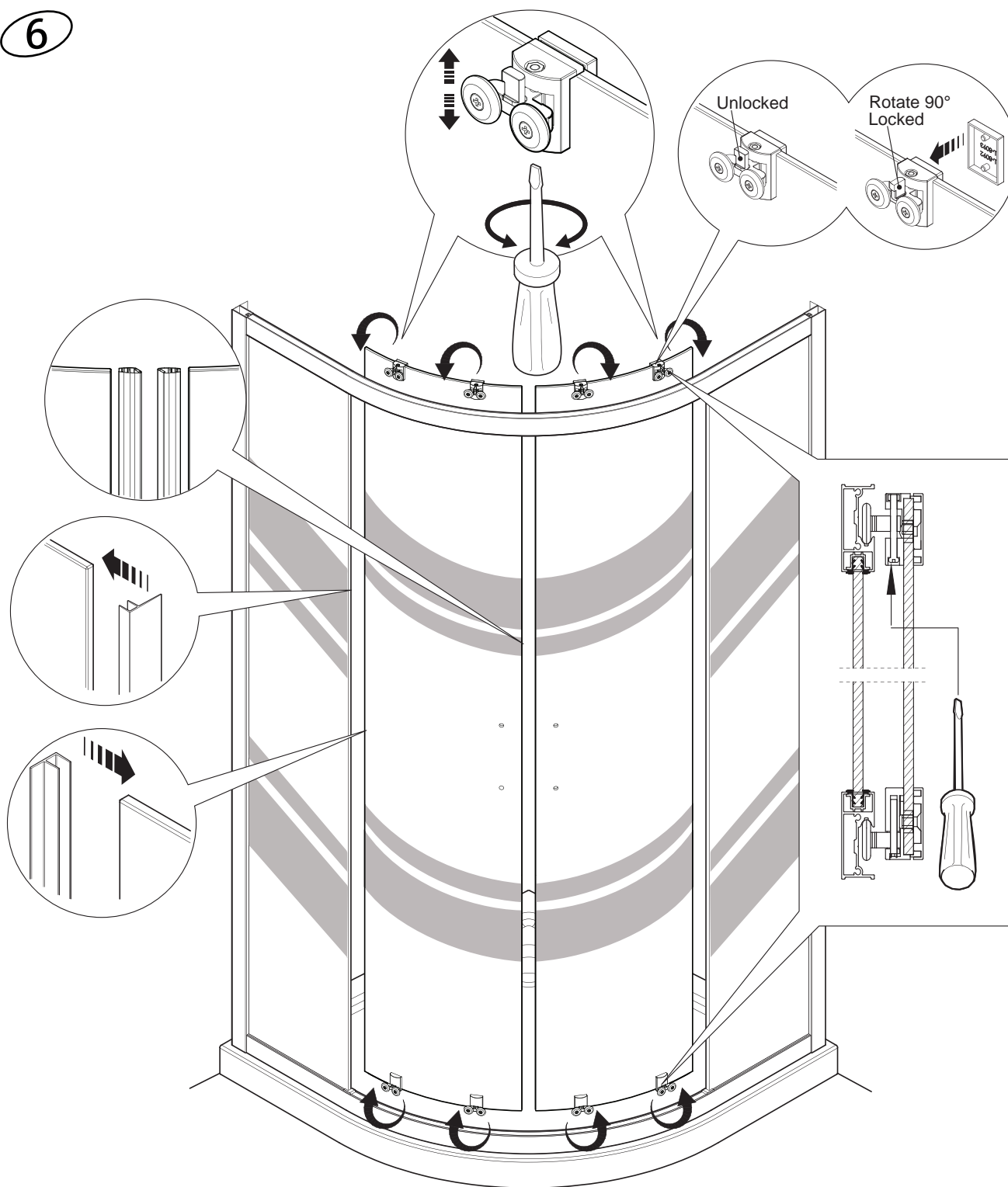
- (a) From the inside of the shower enclosure, drill four 3mm holes in the door frame. The hole locations are centre marked on the inside of the wall channel.



**Caution!** Take care not to drill all the way through or damage the shower.

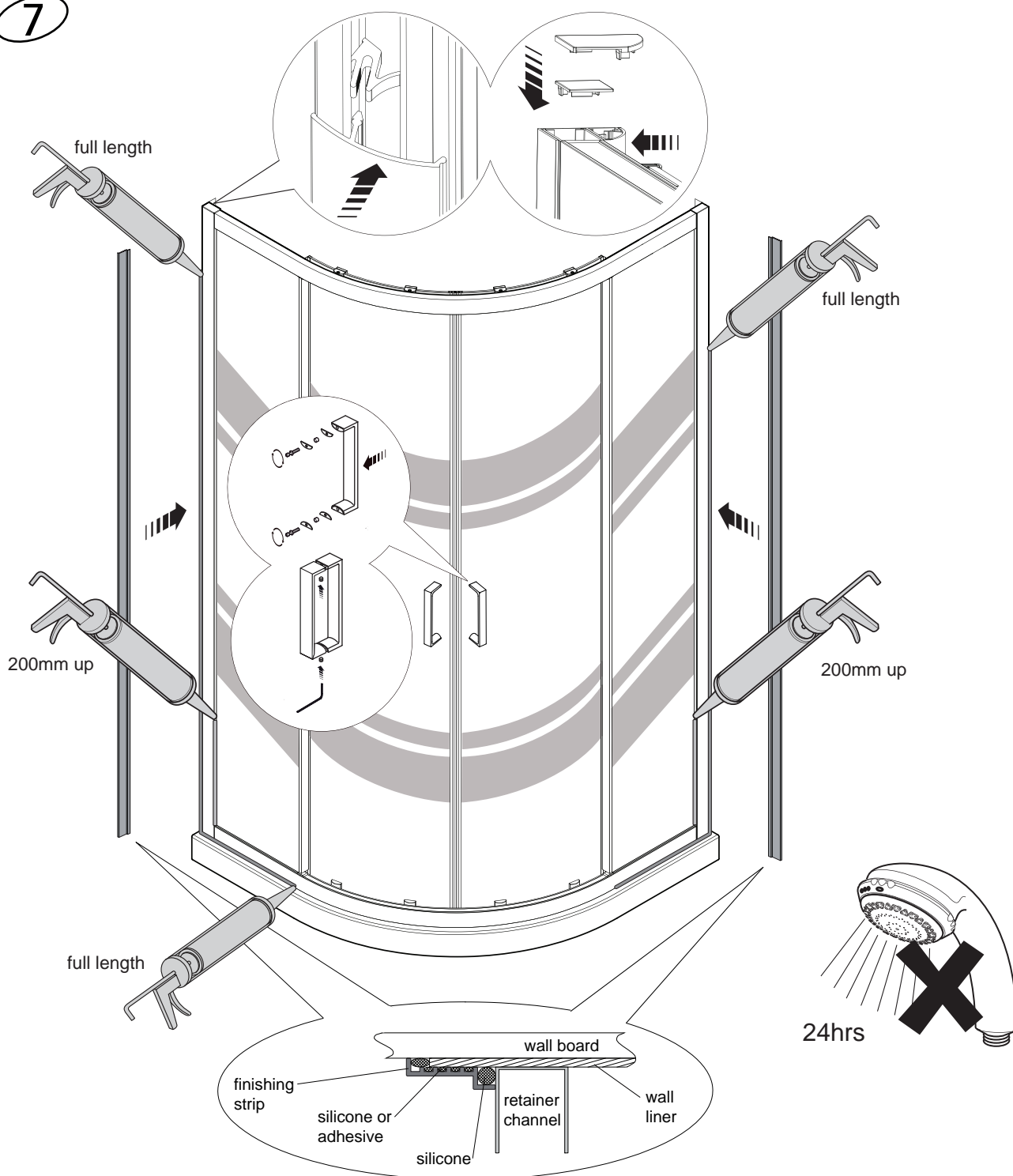
- (b) Insert the short screws and tighten.
- (c) Repeat the process for the other wall channel.

6



- (a) Hang the door onto the top rail.  
**Note!** Make sure that the roller adjusting screws are facing downwards.
- (b) Adjust the top rollers with the adjusting screw until the bottom rollers easily clip into the bottom rail.
- (c) Adjust the rollers to give a smooth, even action when the door is opened and closed.
- (d) Fit the seals. **Note!** The longer seal goes on the door. Trim any excess material.
- (e) Lock the top roller assemblies in position by turning the lock through 90°.
- (f) Fit the roller covers.

7




- (a) Install the door handle, ensuring that the grub screws are on the underside.
- (b) Fit the corner covers to the wall channels. They should 'snap' into place.
- (c) Fit the caps to the top of the extrusions. Add silicone or modify caps to fit if required.
- (d) Apply sealant along the outside surfaces of the enclosure. Do not seal from inside.
- (e) Install the wall finishing strips, if desired.
- (f) Allow the silicone sealant to cure for 24 hours before use.

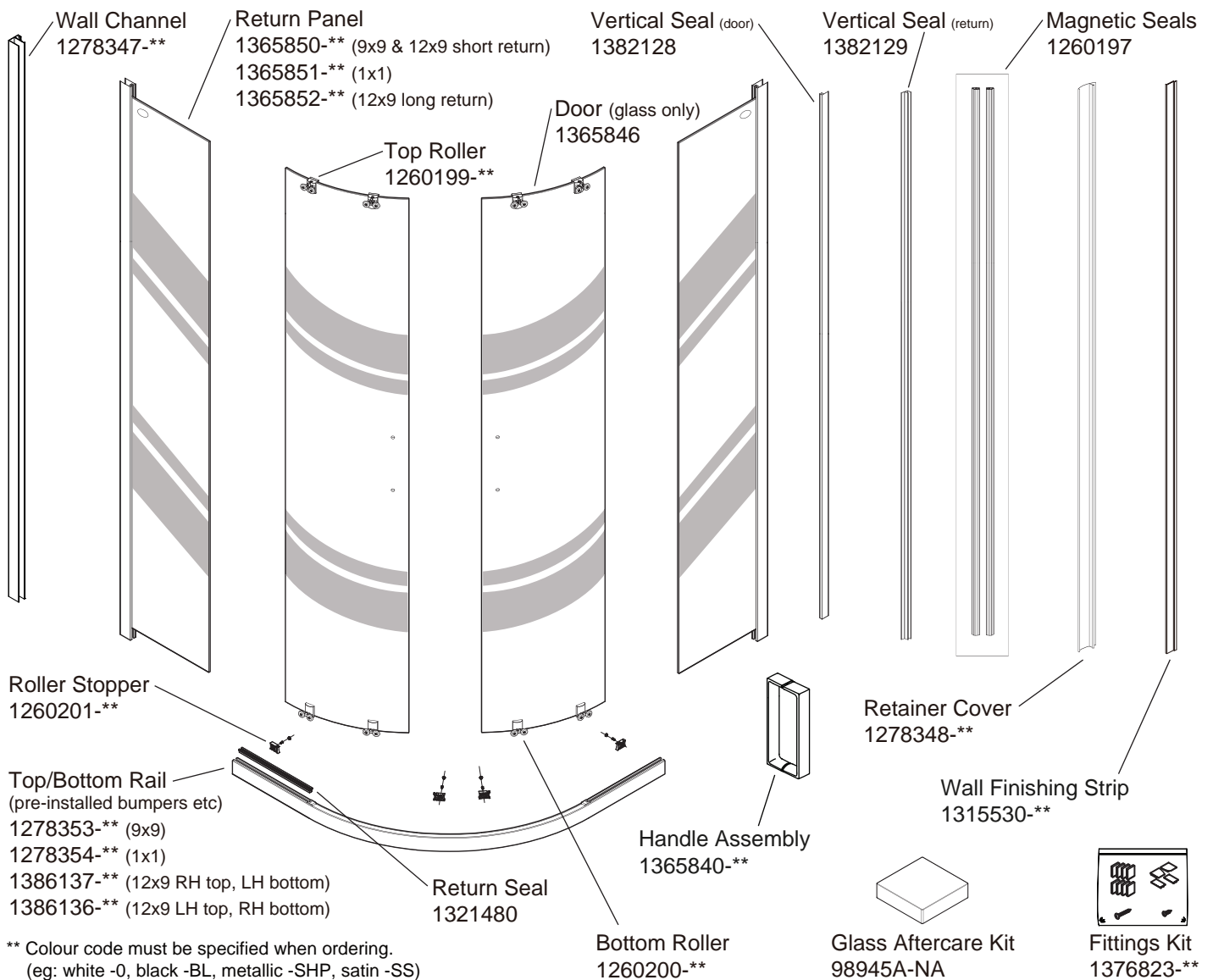
**Installation complete.**

CLEANING AND MAINTENANCE INSTRUCTIONS

Please refer to the homeowners guide and our website for cleaning instructions.

SPARE PARTS

 Scan the QR barcode on the packaging or underside of top caps to identify the product SKU and date of manufacture.



CONTACT AND WARRANTY INFORMATION

**NEW ZEALAND**  
**KOHLER NZ LTD**

Free Ph: 0800 100 382  
 Free Fax: 0800 664 488  
 www.Englefield.co.nz

**AUSTRALIA**  
**KOHLER AUSTRALIA**

Free Ph: 1 800 ENGLEFIELD  
 (1 800 364 533)  
 www.Englefield.com



Trusted in New Zealand Since 1982

**For warranty information, please visit our website.**