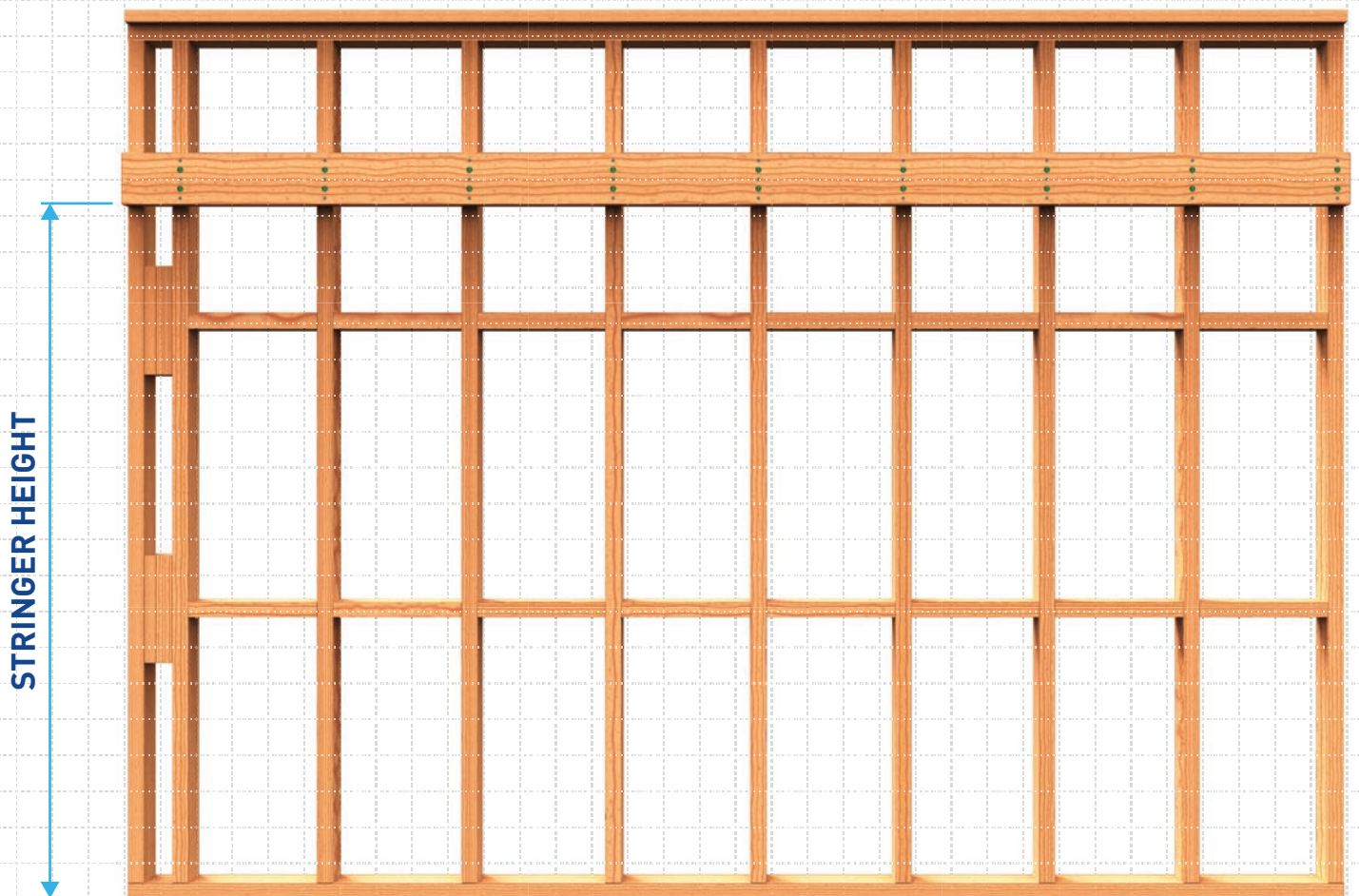


STUDLOK™ STRINGER TO STUD FIXING SCHEDULE

LOADINGS AND DETAILS FOR INSTALLING STRINGERS TO TIMBER STUDS

- Timber stringers must be SG8 Radiata pine only.
- Height of stringer from base of wall.
- Stud size and spacing indicated are minimum requirements.
- Assume supported trusses are at 900 mm centres.
- Refer to Truss Fixing Report for maximum Truss Characteristic Reactions (Up or Down).
- Select Stringer Type Characteristic Strength $>$ or $=$ maximum Truss Characteristic Reaction.



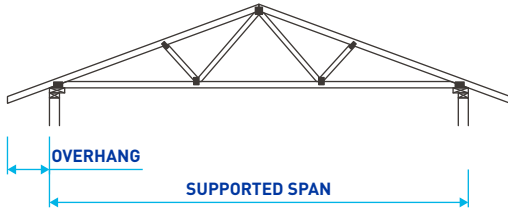
AVAILABLE FROM LEADING BUILDERS SUPPLY MERCHANTS THROUGHOUT NEW ZEALAND



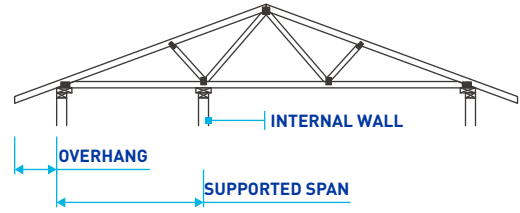
Loaded Dimension Definition

External Wall

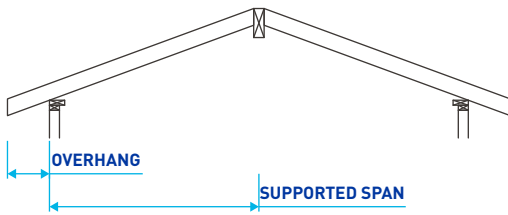
Standard Truss



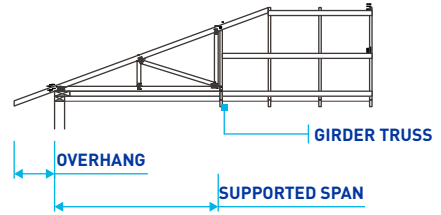
Internally Supported Truss



Rafter Roof



Jack Truss

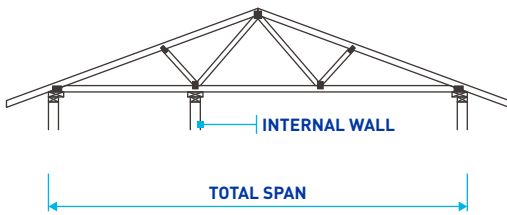


$$\text{External Wall Loaded Dimension} = \left(\frac{\text{Supported Span}}{2} \right) + \text{Overhang}$$

Internal Wall

Internally Supported Truss

(Overhang dimension does not apply)

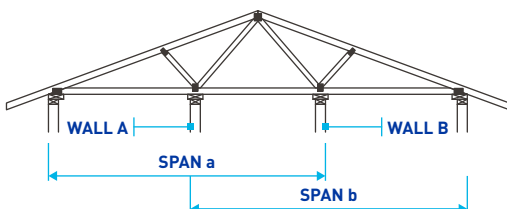


$$\text{Internal Wall Loaded Dimension} = \frac{\text{Total Span}}{2}$$

Multiple Internal Walls

Internally Supported Truss

(Overhang dimension does not apply)



Multiple Internal Wall Loaded Dimension For

$$\text{Wall A} = \frac{\text{Span a}}{2}$$

$$\text{Wall B} = \frac{\text{Span b}}{2}$$

Stringer To Stud Fixing Schedule

Fixing Selection Charts

0.9kPa Ground Snow Load

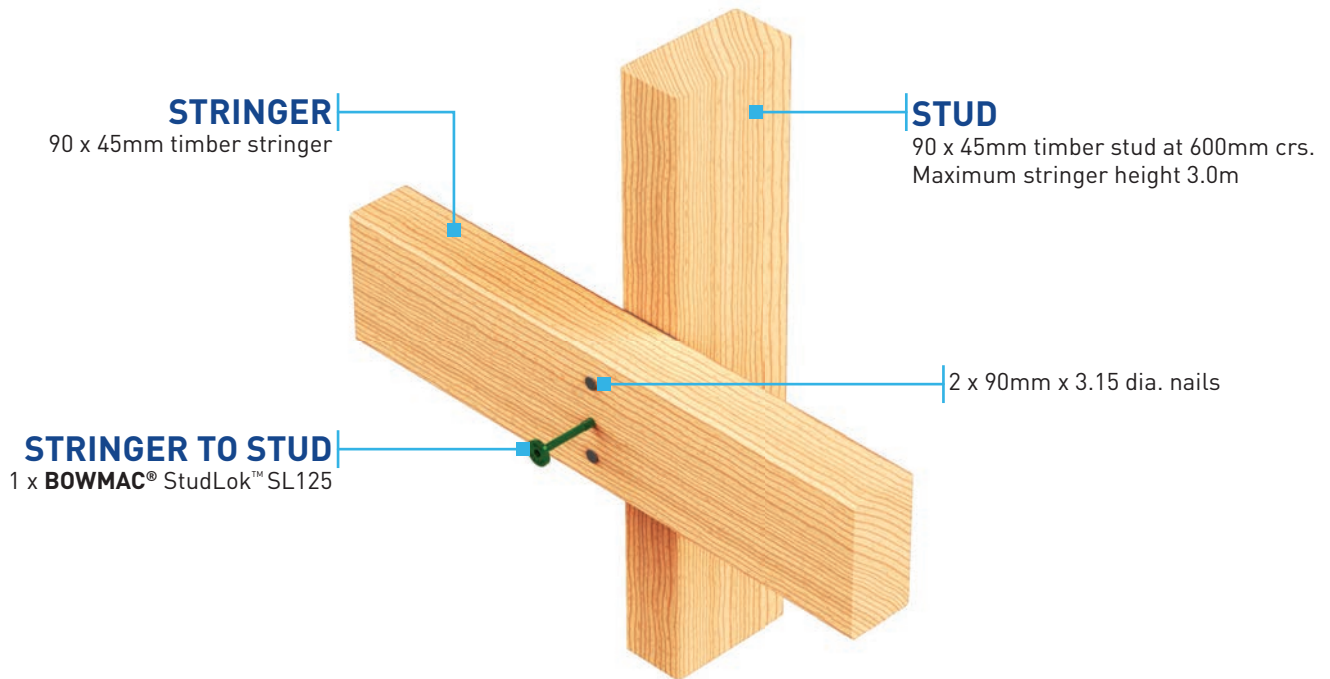
Truss Span (m)	Loaded Dimension (m)	Light Roof					Heavy Roof				
		Wind Zone									
		Light	Medium	High	Very High	Extra High	Light	Medium	High	Very High	Extra High
2.0	1.0	K	K	K	K	K	K	K	K	K	K
3.0	1.5	K	K	K	K	K	K	K	K	K	K
4.0	2.0	K	K	K	K	K	L	L	L	L	L
5.0	2.5	L	L	L	L	L	L	L	L	L	L
6.0	3.0	L	L	L	L	L	L	L	L	L	L
7.0	3.5	L	L	L	L	L	M	M	M	M	M
8.0	4.0	L	L	L	L	M	M	M	M	M	M
9.0	4.5	M	M	M	M	M	M	M	M	M	M
10.0	5.0	M	M	M	M	M	M	M	M	M	M
11.0	5.5	M	M	M	M	M	N	N	N	N	N
12.0	6.0	M	M	M	M	M	N	N	N	N	N

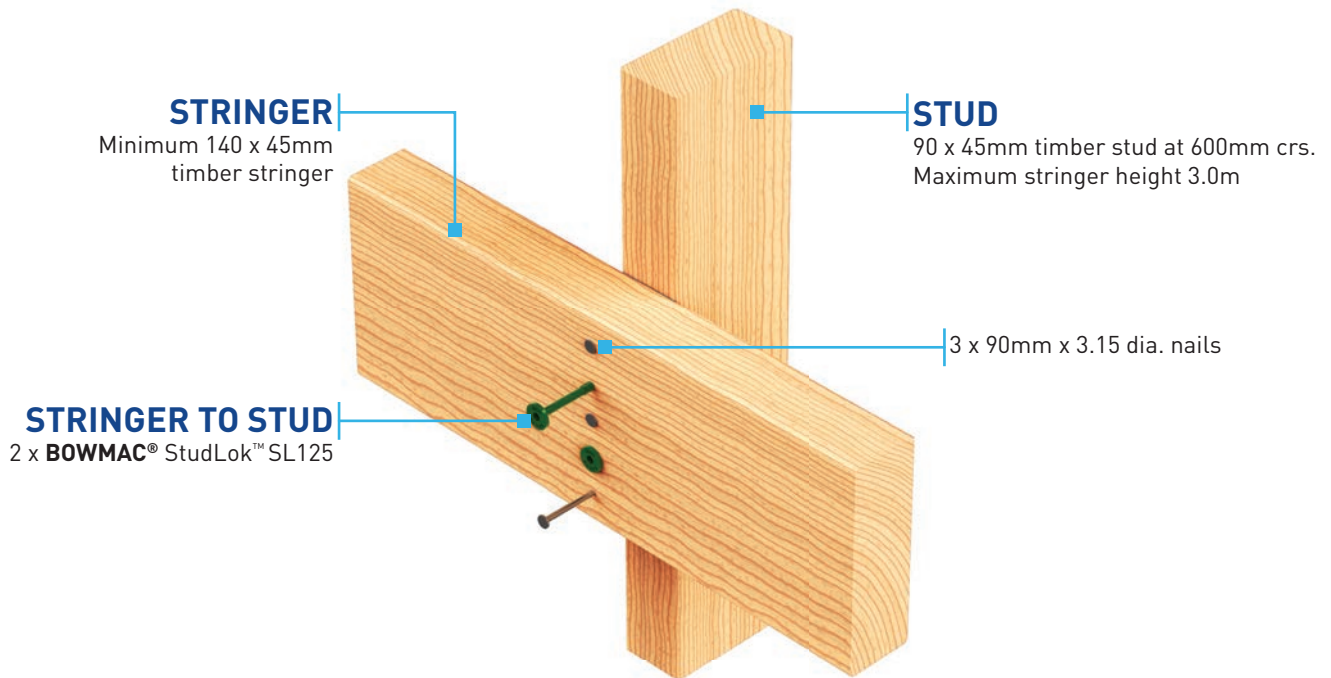
1.5kPa Ground Snow Load

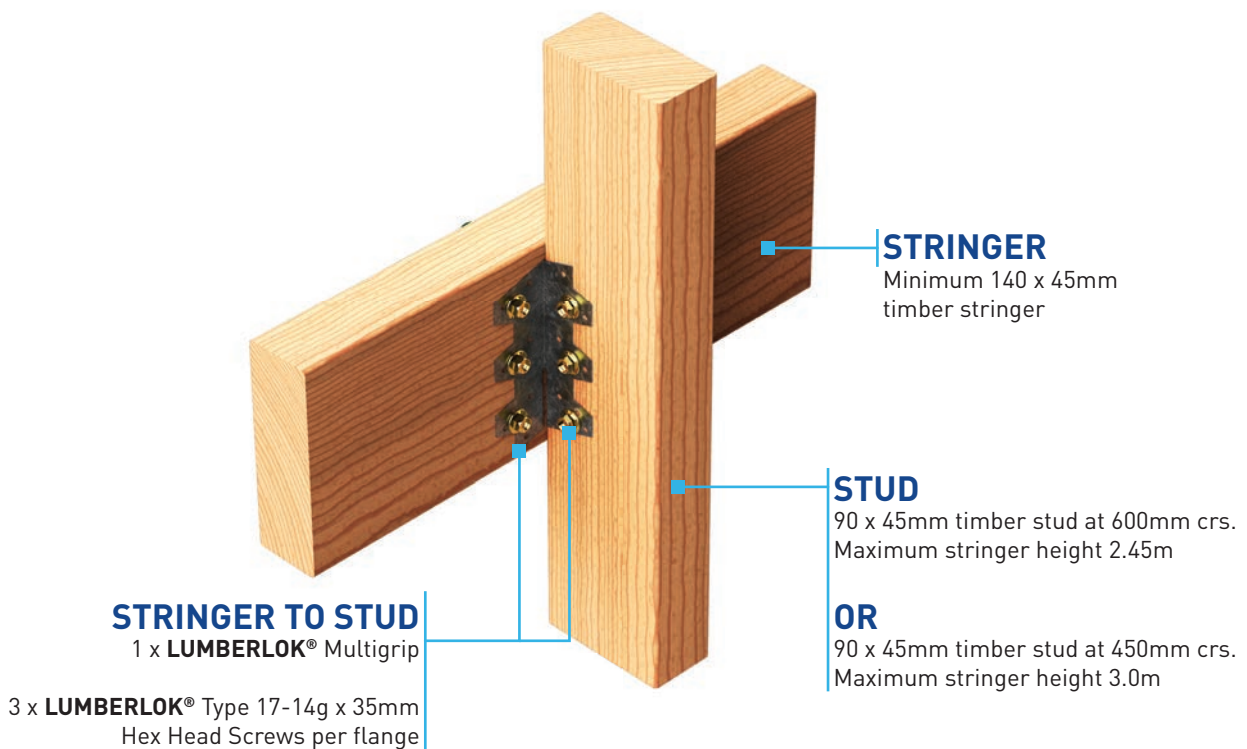
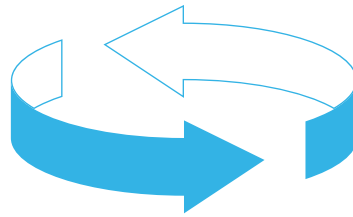
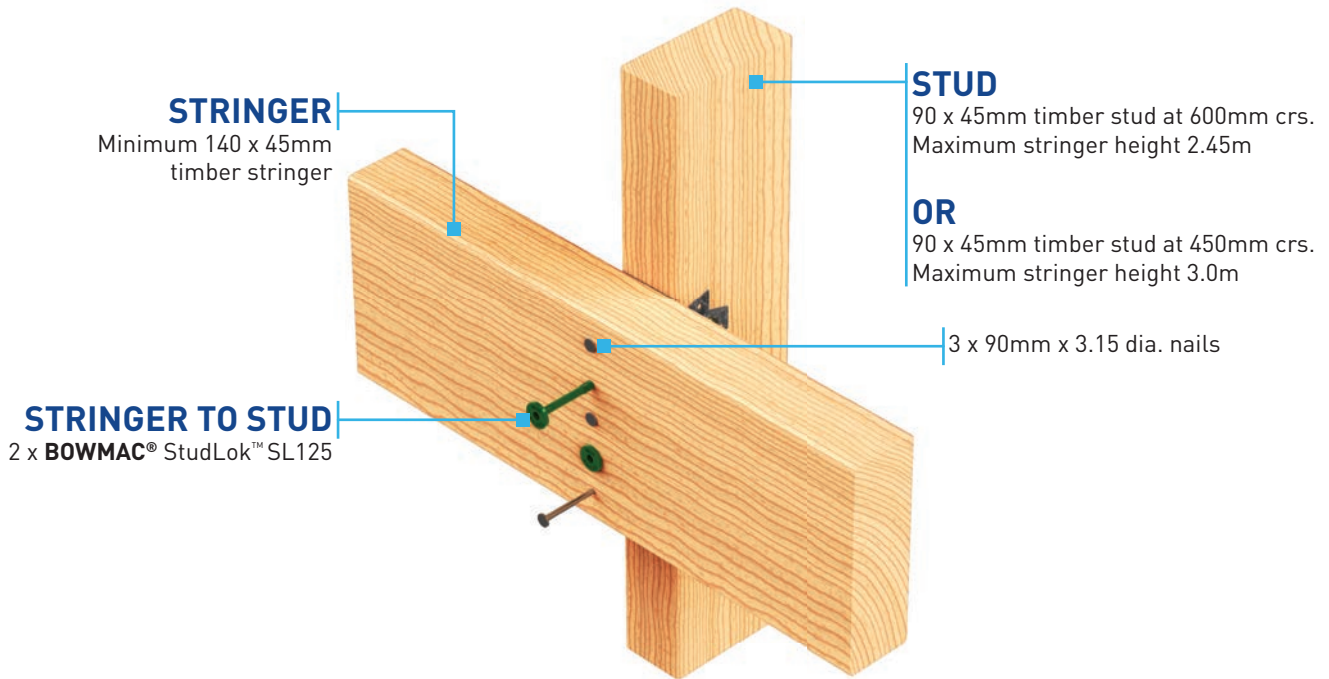
Truss Span (m)	Loaded Dimension (m)	Light Roof					Heavy Roof				
		Wind Zone									
		Light	Medium	High	Very High	Extra High	Light	Medium	High	Very High	Extra High
2.0	1.0	K	K	K	K	K	K	K	K	K	K
3.0	1.5	K	K	K	K	K	L	L	L	L	L
4.0	2.0	L	L	L	L	L	L	L	L	L	L
5.0	2.5	L	L	L	L	L	M	M	M	M	M
6.0	3.0	L	L	L	L	L	M	M	M	M	M
7.0	3.5	M	M	M	M	M	M	M	M	M	M
8.0	4.0	M	M	M	M	M	N	N	N	N	N
9.0	4.5	M	M	M	M	M	N	N	N	N	N
10.0	5.0	M	M	M	M	M	SED	SED	SED	SED	SED
11.0	5.5	M	M	M	M	M	SED	SED	SED	SED	SED
12.0	6.0	N	N	N	N	N	SED	SED	SED	SED	SED

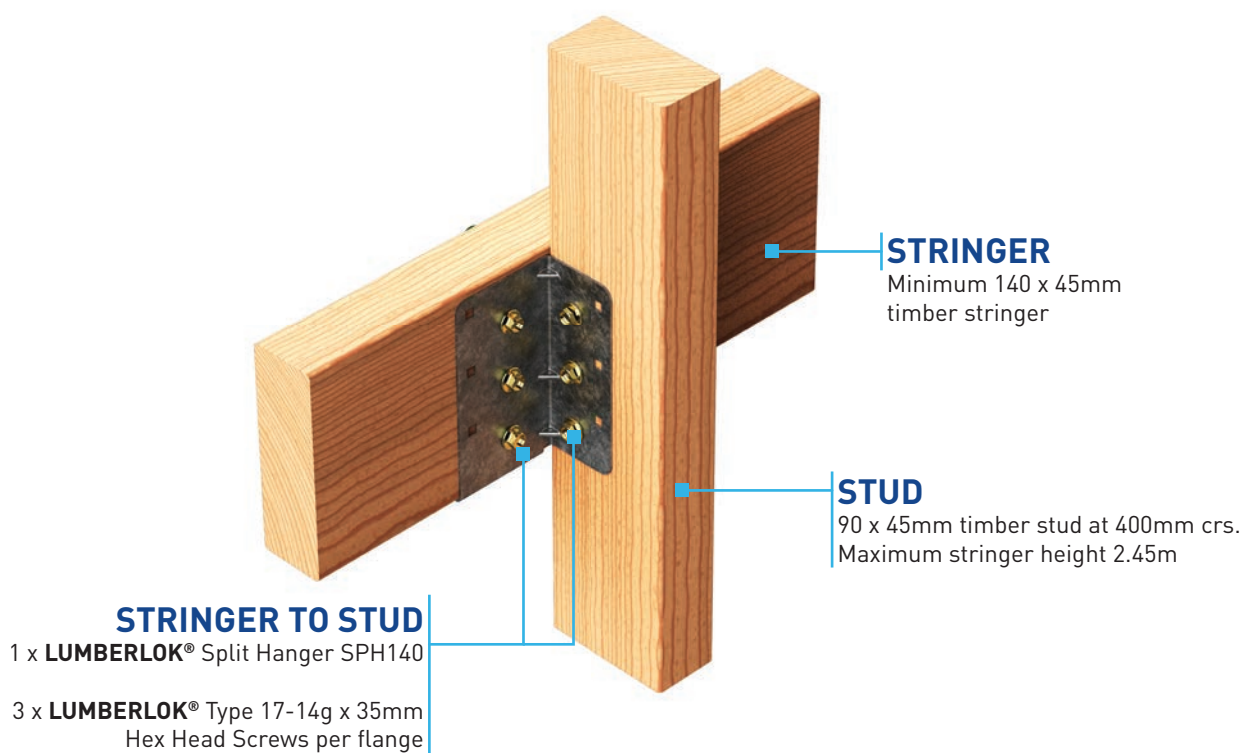
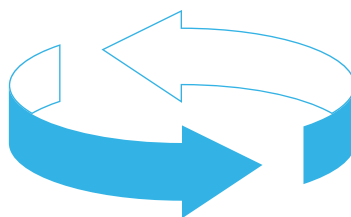
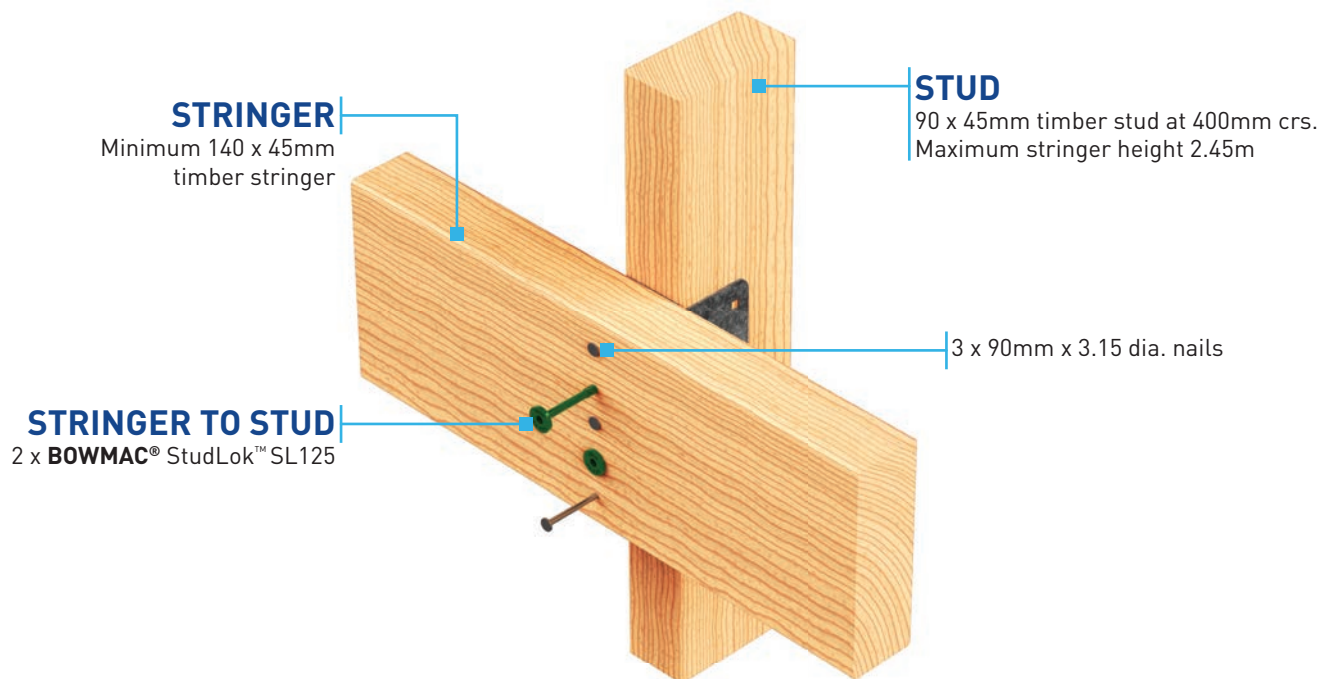
Fixing Options Table

Fixing Type	Description	Minimum Stud Size	Stud Centres	Stinger Size	Characteristic Load
K	2 x 90mm x 3.15 dia. nails + 1 x BOWMAC® StudLok™ SL125	90 x 45mm	600mm	90 x 45mm	3.93kN
L	3 x 90mm x 3.15 dia. nails + 2 x BOWMAC® StudLok™ SL125	90 x 45mm	600mm	140 x 45mm	7.22kN
M	Fixing Type L + 1 x LUMBERLOK® Multigrip with 3 x LUMBERLOK® Type 17-14g x 35mm Hex Head Screws per flange	90 x 45mm	600mm	140 x 45mm	12.67kN
N	Fixing Type L + 1 x LUMBERLOK® Split Hanger SPH140 with 3 x LUMBERLOK® Type 17-14g x 35mm Hex Head Screws per flange	90 x 45mm	400mm	140 x 45mm	14.72kN









MiTek[®]

AKL +64 9 2747 109
CHC +64 3 3488 691
www.mitek.nz.co.nz