

FEATURES

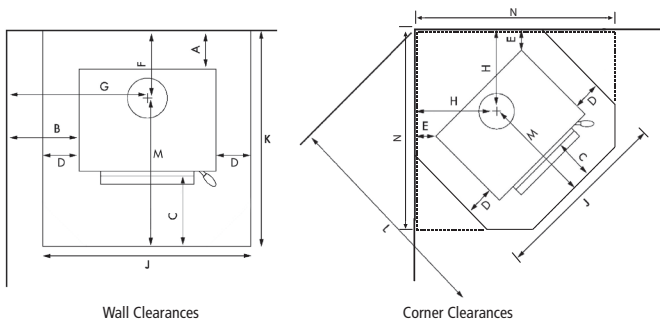
- Clean air approved large-size radiant wood fire
- Heat is emitted directly and warms all objects in its path before heating the air
- Ideal for draughty homes or higher ceilings
- Traditional matt black design, 6mm steel
- Vermiculite brick lined firebox
- Multi-burn firebox helps glass remain clear
- Steel plate top for cooking use

SPECIFICATIONS

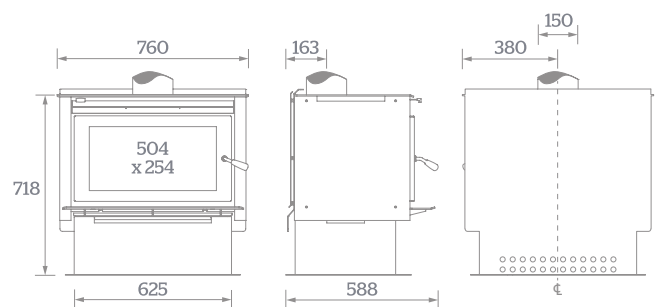
- Estimated maximum heat output: 22kW
- Heats area up to 250m²
- Average emission rate: 0.54g/kg
- Overall average efficiency: 66%
- ECAN Authorisation No. 191312



INSTALLATION CLEARANCES



DIMENSIONS (MM)



RECOMMENDED FLUE KITS

Standard	KWF298-7005
Energy Saver	KWF298-7006

Flue kits are tested to AS/NZS2918 Appendix F report no. 02/649.

Minimum Installation Clearances (with flue shield) mm								Hearth Clearances (mm)					
A	B	C	D	E	F	G	H	J	K	L	M	N	
150	200	300	100	170	315	580	540	960	913	1375	640	1180	

