

INSTALLATION INSTRUCTIONS



Trusted in New Zealand Since 1982

SHOWER

EXCLUSIVE SERIES Pivot Doors



Englefield has a history of making superb showers and their popularity is testament to their quality and affordability.

It's the details that Englefield cares about - from pioneering the latest technology, to innovative design, it's all to make your showering experience the very best it can be.



Note: Tapware and accessories are not included.
Handles may differ from those pictured.

BEFORE YOU BEGIN

Before installing the shower please read these instructions carefully to familiarise yourself with the required tools, materials and installation sequences. Please leave these instructions for the consumer after installation. Refer to the separate care and maintenance guide for important care and cleaning information.

Ensure that the shower tray and wall, if applicable, are completely finished prior to installing your shower door and return. Follow all warnings, cautions and instructions contained in this guide.



SAFETY

1. ENGLEFIELD strongly recommends that a minimum of TWO persons install this enclosure due to the weight of the door panels.
2. Toughened safety glass cannot be cut. Risk of injury or product damage.
3. Wear protective footwear when lifting panels.
4. Wear safety glasses when drilling.



ATTENTION

1. The wall retainers must be installed onto a waterproof, vertical and flat wall surface. Failure to do so will result in an unsatisfactory seal, which may cause property damage. The wall inclination (out of squareness) is recommended to be out by no more than **+/- 4mm/m**.
2. Please install this door onto an ENGLEFIELD Quick - Fit[®] shower tray only, unless installing directly onto tiled walls and floor.
3. Care must be taken when drilling into walls and floors to avoid any hidden pipes or wires.
4. It is the responsibility of the INSTALLER to ensure that the installation complies with council and or local authority bylaws.

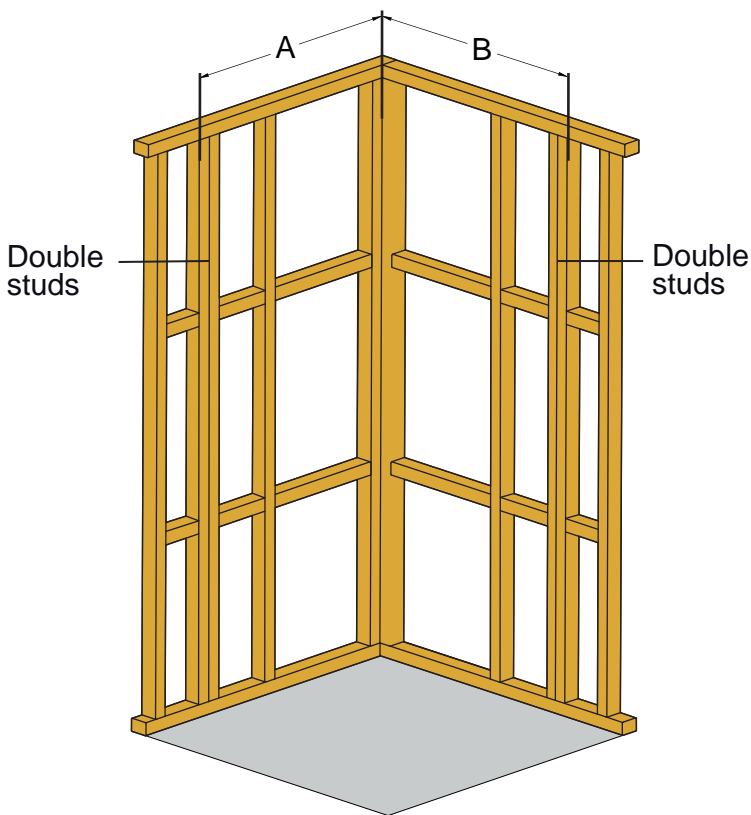
1a - CONSTRUCTION REQUIREMENTS [corner enclosure - pivot door with side panel]

ATTENTION This section is for a corner enclosure [pivot door with side panel]. For alcove [door only] installations see section 2 (page 8).



Due to the weight of the shower system Englefield strongly recommends constructing double studs (as below) to fix the wall retainers to.

Wall Framing for acrylic tray with acrylic wall

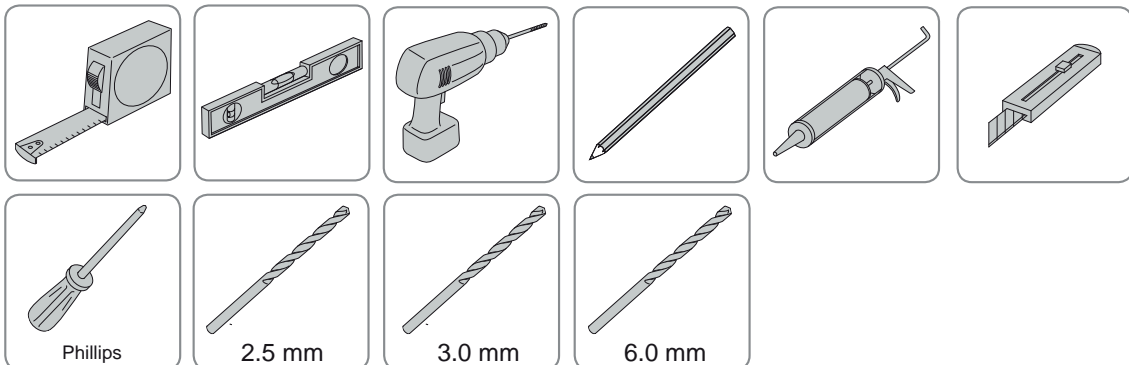


For Acrylic tray/base

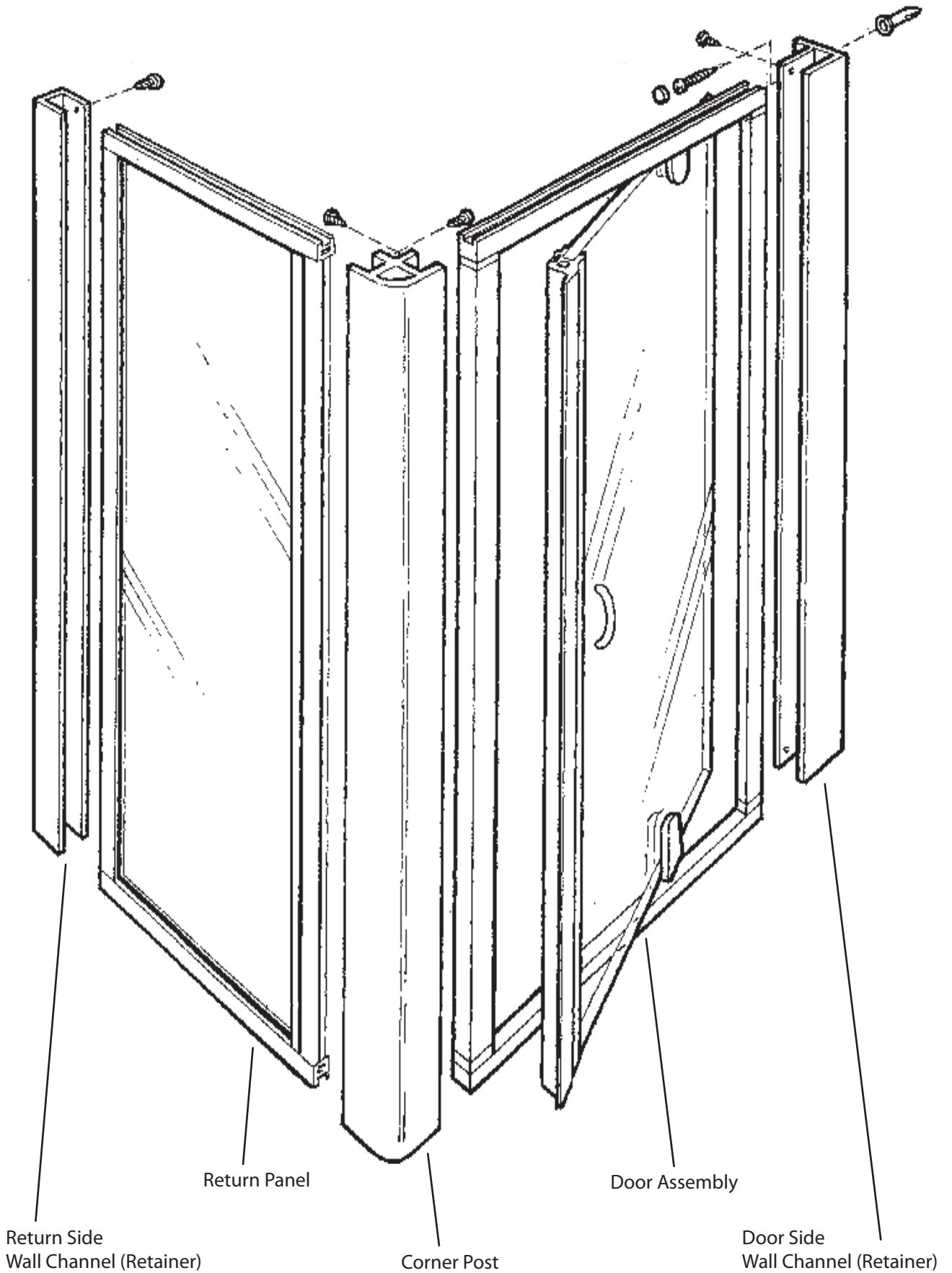
Size	Dim 'A'	Dim 'B'
900 x 900	900	900
1000 x 1000	1000	1000

NOTE: Based on the use of standard 10mm wall board

TOOLS AND MATERIALS REQUIRED

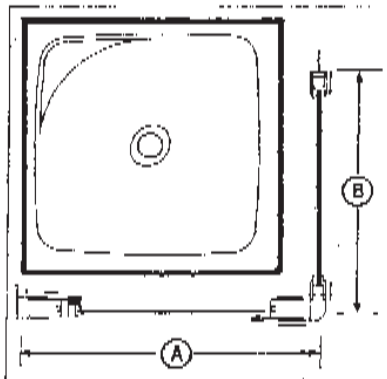
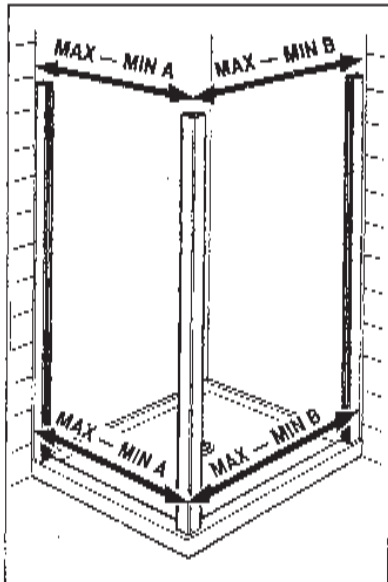


1b - PARTS IDENTIFICATION [corner enclosure - pivot door with side panel]



1c - INSTALLATION [corner enclosure - pivot door with side panel]

1 Check the distance between the walls to ensure that the Door and Return are within the maximum and minimum enclosure tolerances.

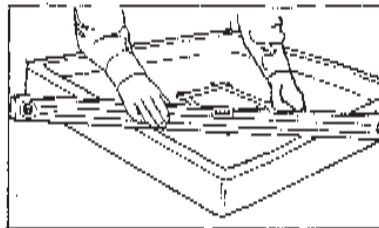


TYPE (A)	DOOR ADJUSTMENT (mm)	
	MIN	MAX
900x900	851	889
1000x1000	951	989

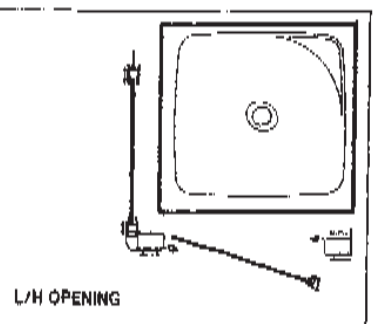
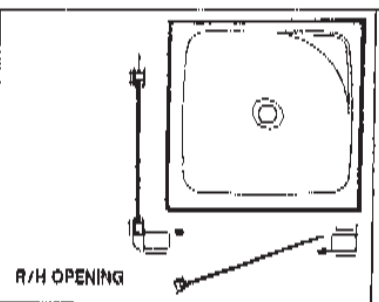
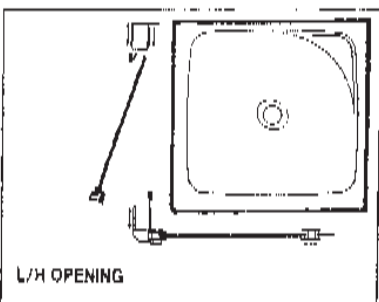
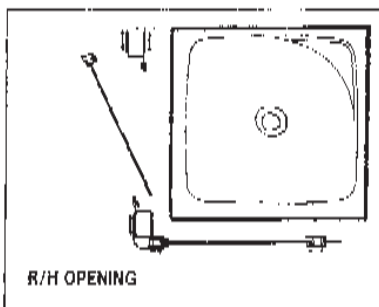
TYPE (B)	RETURN ADJUSTMENT (mm)	
	MIN	MAX
900x900	858	879
1000x1000	964	985

2 It is recommended that the waste outlet be 'taped over' to avoid the loss of any components during installation.

3 Shower base MUST be installed level.



4 Select preferred shower door opening and Return position.



5 Position Wall Retainer Profiles against shower walls, resting on the shower base sill. Door wall retainer must have the fixing holes towards the inside of the shower.



DOOR SIDE

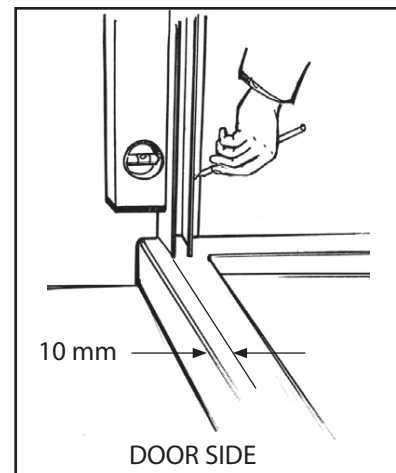
RETURN SIDE

These Profiles should be located 10mm from the front edge of the shower base.

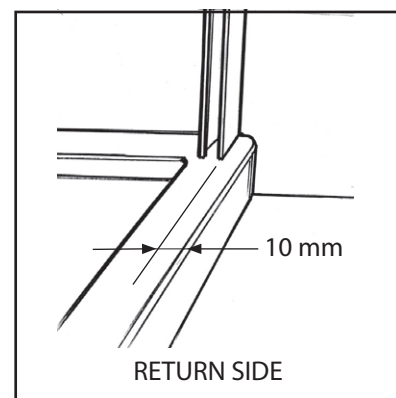
Check vertical with spirit level and mark fixing holes. ENSURE WALL RETAINER PROFILES ARE PLUMB.

NOTE: DISCARD FROM DOOR PACK 1 X DOOR WALL RETAINER PROFILE AS THIS IS NOT REQUIRED.

(Refer to the exploded view on opposite page).

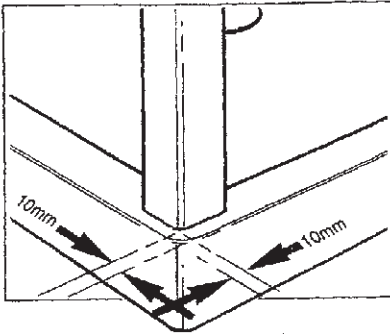


DOOR SIDE



RETURN SIDE

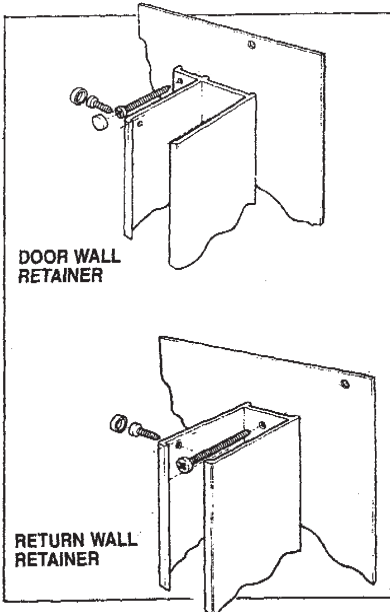
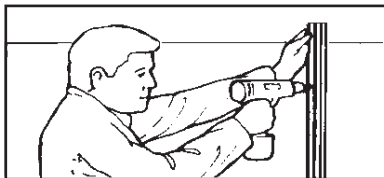
6 Mark corner of shower base 10mm in from front edges.



7 Fix both wall retainers in place using the 6 long screws. Make sure the screws go into studs.
Note: If Screwing into backing board only, use appropriate wall anchors in the wall.

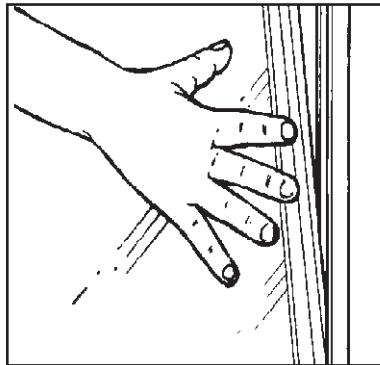
Caution: We recommend fixing the wall retainers by screwing through the backing board and into studs. Other methods may cause warping and might void warranty.

CAUTION: BEFORE DRILLING HOLES, ENSURE THERE ARE NO ELECTRICAL CABLES OR WATER PIPES BEHIND WALLS

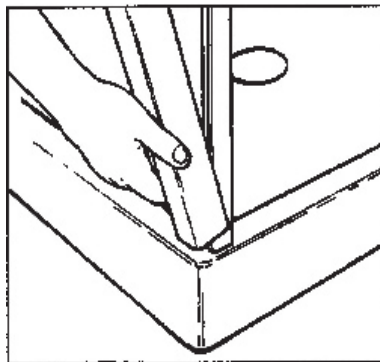


8 Insert return panel into wall retainer so that the black mark aligns with the edge of the wall retainer.

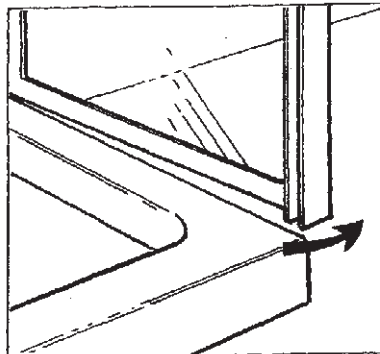
DO NOT push the PVC gasket into position at this stage.



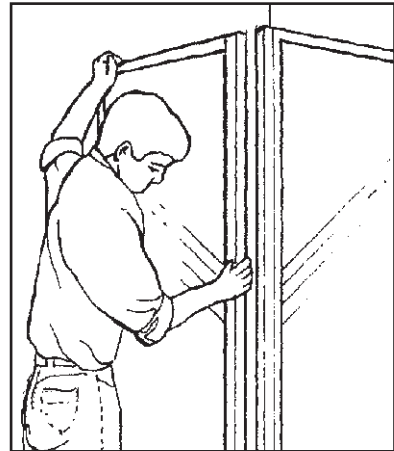
9 Fit 90° Corner Profile to Return panel Assembly and push into position.



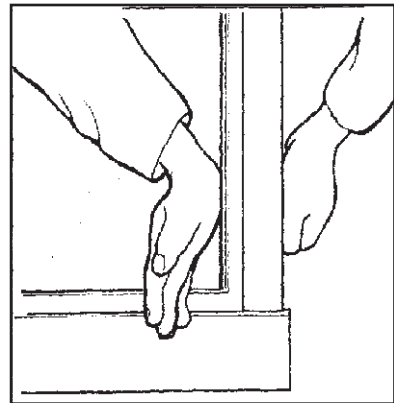
10 Move 90° Corner Post and Return Panel Assembly out to allow Door Assembly to be fitted.



11 Fit Door Assembly into Wall Retainer Profile, then re-position Corner Profile and Return Panel to Door Assembly.

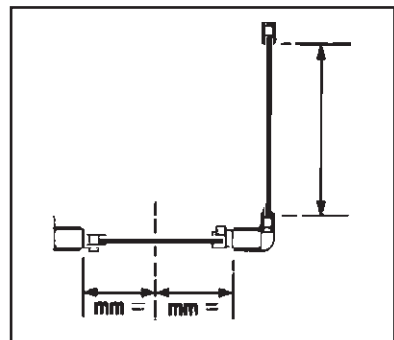


12 Re-align 90° Profile to predetermined corner position.

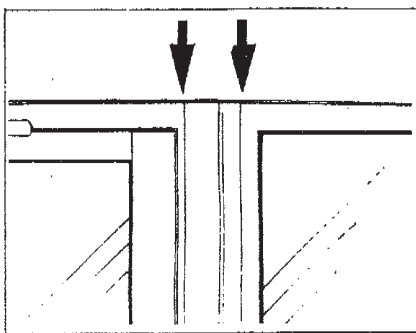
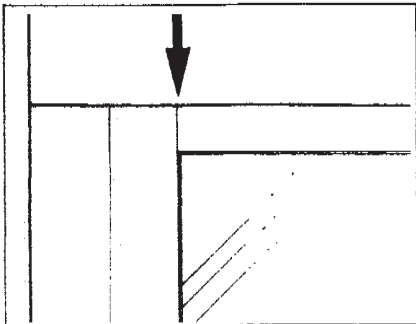


13a Centralise Door Assembly between Wall Retainer and Corner Post.

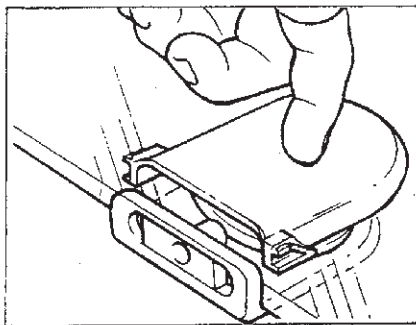
b Position Return Panel between Wall Retainer and Corner Post so that the black lines at each corner are not visible. DO NOT push the PVC gasket into position at this stage.



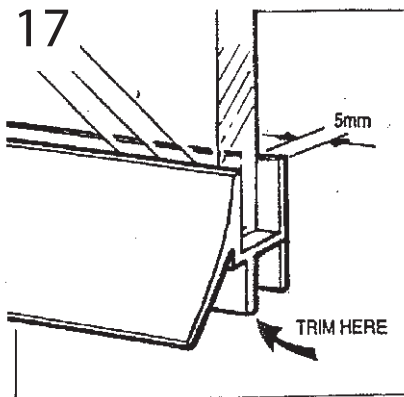
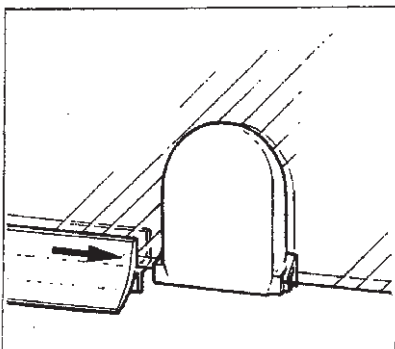
14 Check that the Door and Return Panel Assemblies are level with top of Wall Retainer and 90° Corner Profiles.



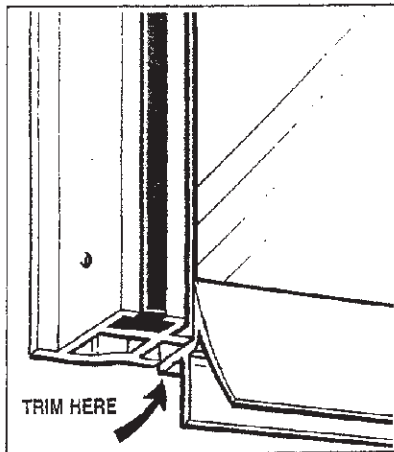
15 Fit top and bottom hinge caps. (Note bottom cap has 'wings').



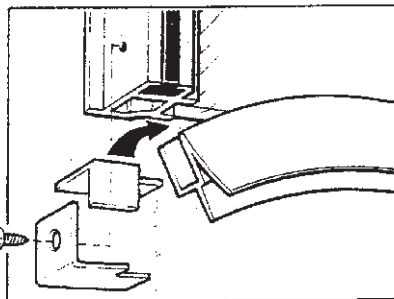
16 Slide drip edge seal over wing on bottom hinge cover and trim off at edge of glass. Repeat between hinge cover and extrusion fixed to door glass.



Ensure that the end of this seal just clears the Door Jamb as the door closes to create the best seal.



18 Prise drip edge seal off glass beside door edge extrusion enough to slip drip seal moulding underneath. (NB: drip seal moulding and retainer bracket are 'handed'.) Push drip seal firmly back onto glass and pull into contact with door edge extrusion. Clamp in place using the bracket and No. 6 screw.

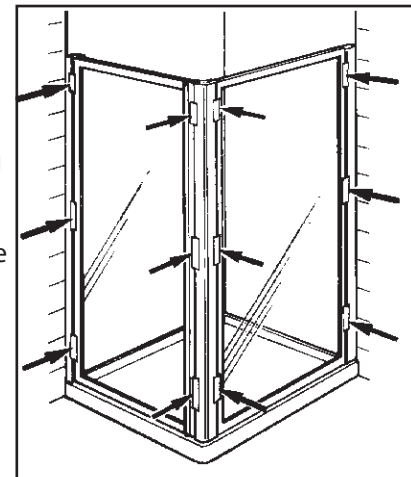
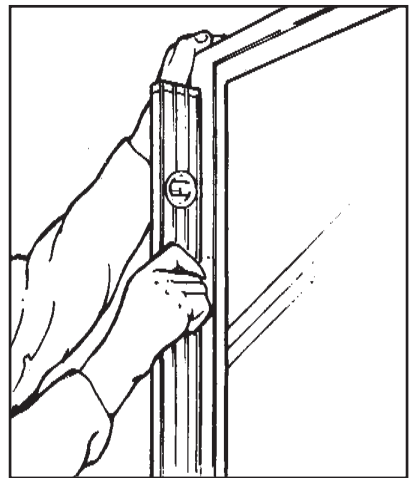


Fit the other small screw to the top hole in the door edge extrusion.

19 Fit handles following instructions supplied with handle.

20 Using spirit level, plumb Door and Return assembly and Corner Post. Tape into position as shown (tape not supplied). Check Door opens and shuts properly and the black lines on the Return assembly top and bottom rails remain hidden. Readjust if necessary.

NOTE: This is an important part of the installation procedure and your careful attention at this stage will ensure that you will obtain the best possible results.

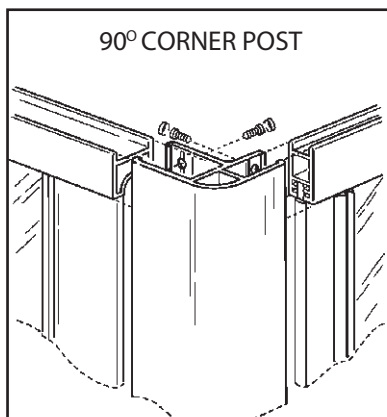
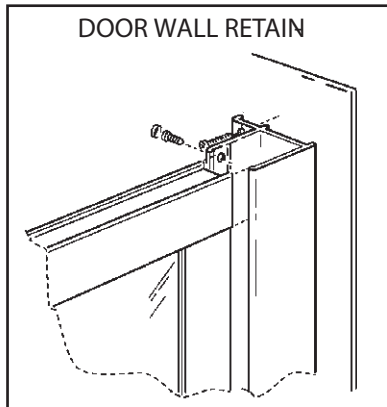
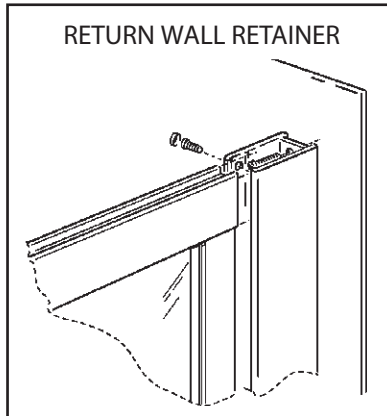


IMPORTANT
TEST THE OPENING AND CLOSING OPERATION OF THE PIVOT DOOR

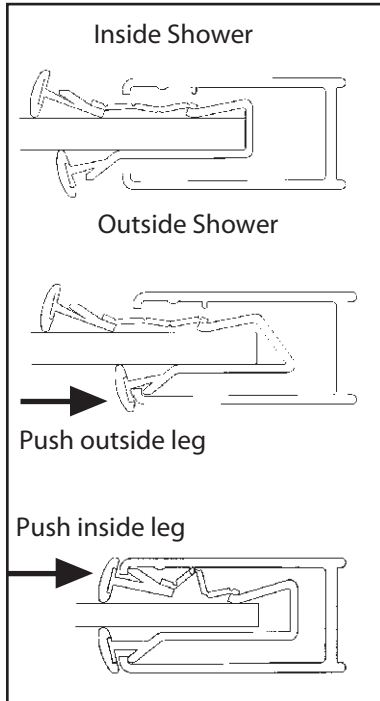
If door alignment is incorrect, door will not function properly and further adjustments are necessary. Remove tape and re-align until correct alignment is achieved.

DO NOT PROCEED TO STEP 21 UNTIL DOOR IS OPERATING CORRECTLY.

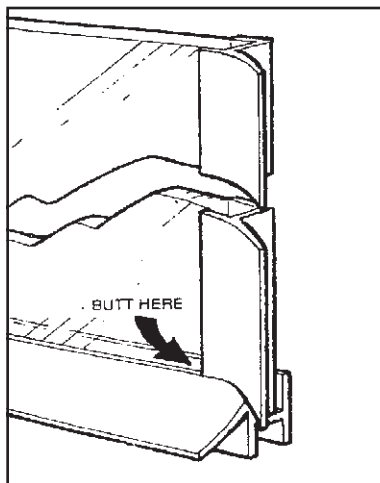
21 Drill holes (with 2.5mm drill bit, **DO NOT USE A BIGGER DRILL BIT**) through punched holes at top and bottom of each Wall Retainer and Corner Post to secure door and return. Make sure Door and Return assemblies do not move during this operation. Fit screw, screw caps and remove tape.



22 Position Return Panel PVC gasket by pushing outside leg into both Wall Retainer and Corner Post. It should 'snap' into place. Now push the inside leg into place.



23 Fit long seal to hinge edge of glass. Flap faces into enclosure. Push down to butt against bottom seal. Trim to top of glass.



24 Install the handles by following the instructions supplied in the handle carton.

Proceed to section 3, sealant application.

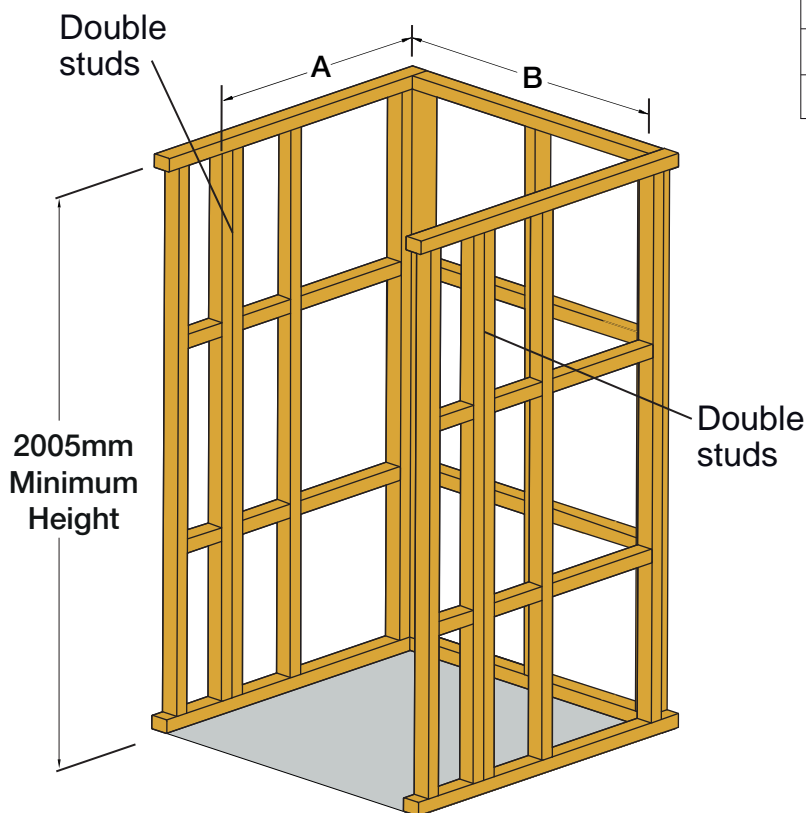
2a - INSTALLATION [alcove enclosure - pivot door only]

ATTENTION This section is for an alcove enclosure [pivot door only].
For corner [door + side panel] installations see section 1 (page 2).



Due to the weight of the shower system Englefield strongly recommends constructing double studs (as below) to fix the wall retainers to.

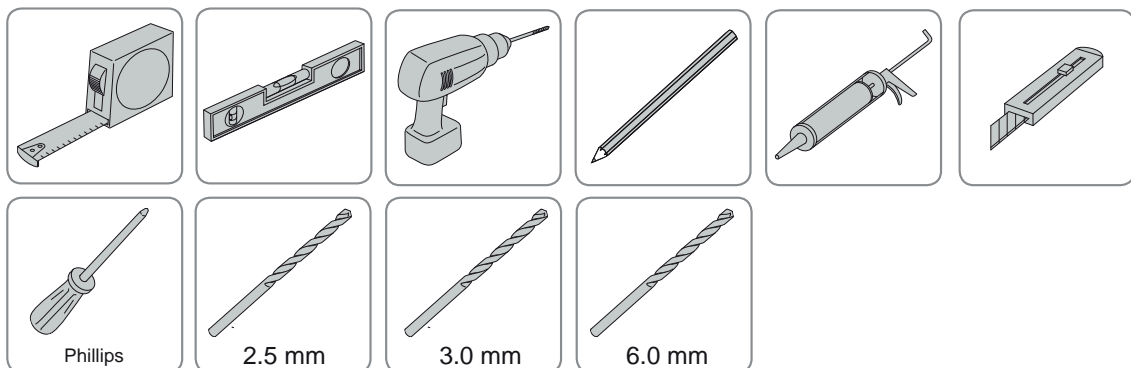
Wall Framing for acrylic tray with acrylic wall



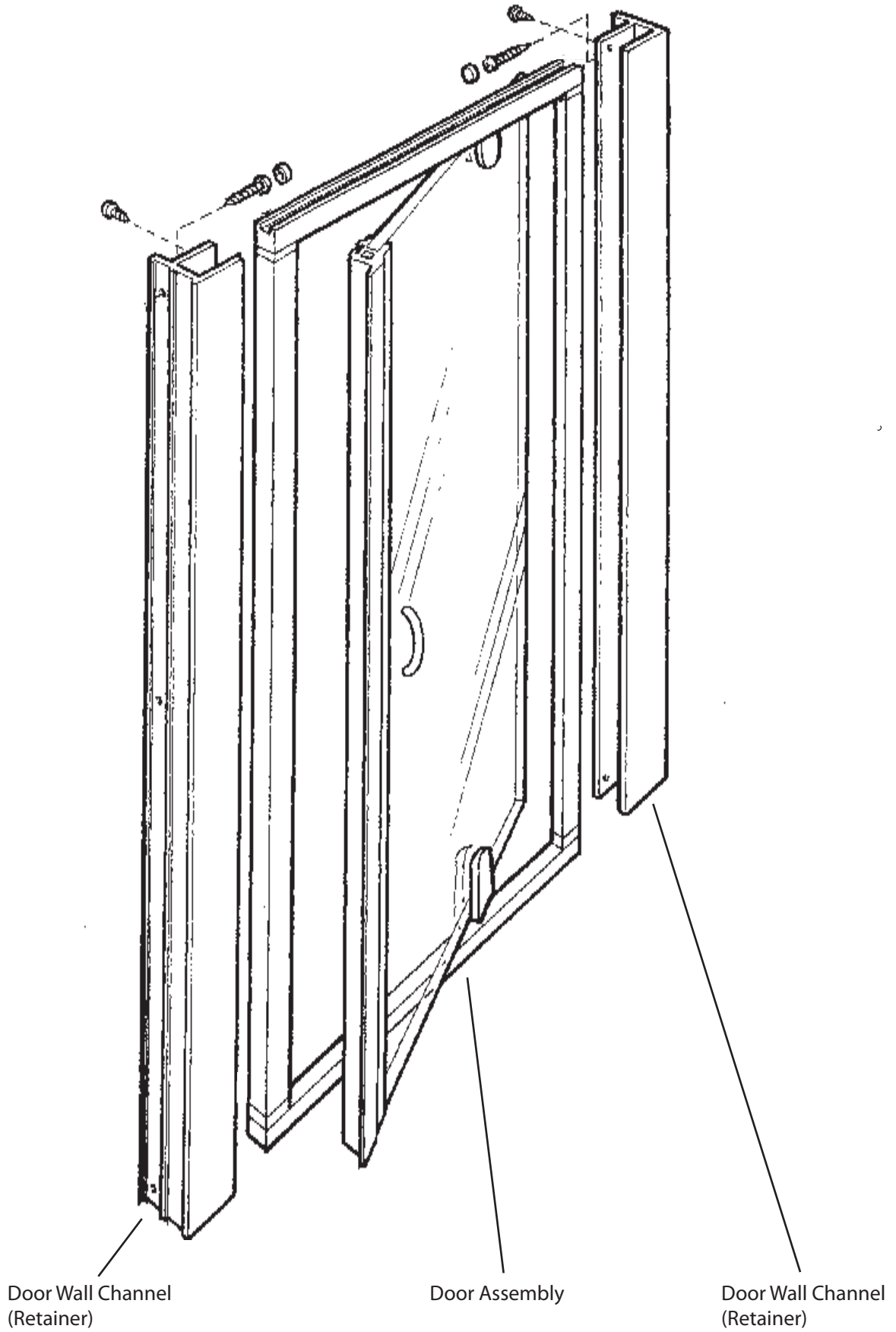
Size	Dim 'A'	Dim 'B' ⁺² ₋₀
900 x 900	900	884
1000 x 1000	1000	984

NOTE: This setup allows for the use of standard 10mm wall board. A thicker wall board could make the recess too narrow for the door system.

TOOLS AND MATERIALS REQUIRED

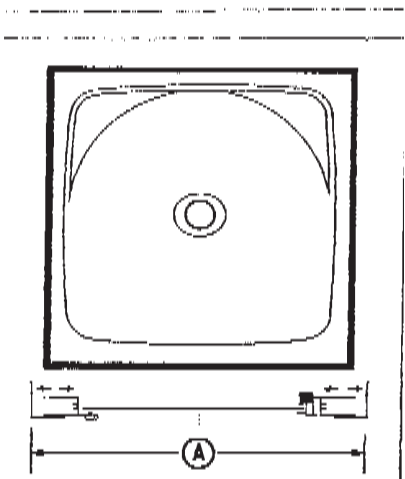
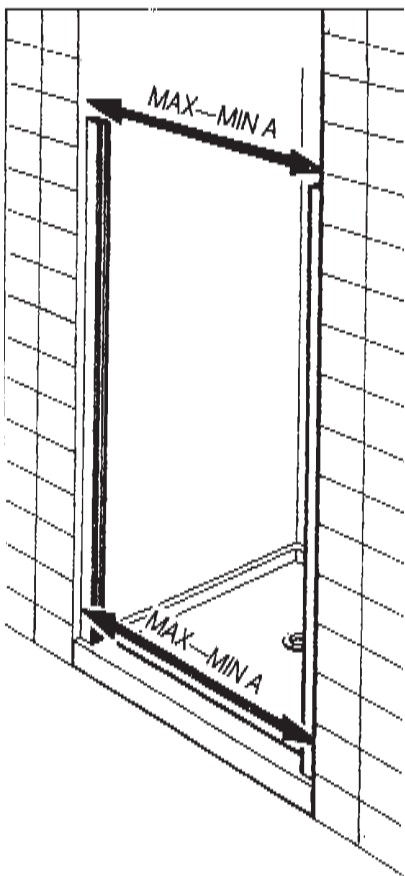


2b - PARTS IDENTIFICATION [alcove enclosure - pivot door only]



2c - INSTALLATION [alcove enclosure - pivot door only]

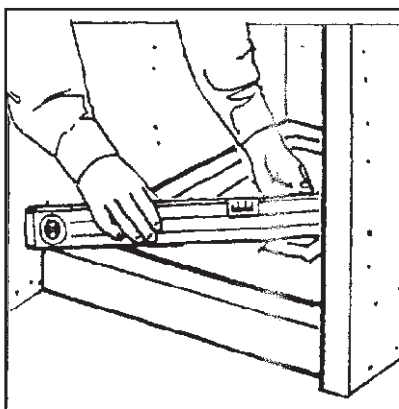
1 Check the distance between the walls to ensure they are within the maximum and minimum enclosure adjustment tolerances.



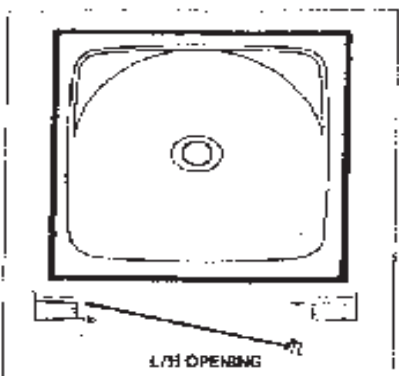
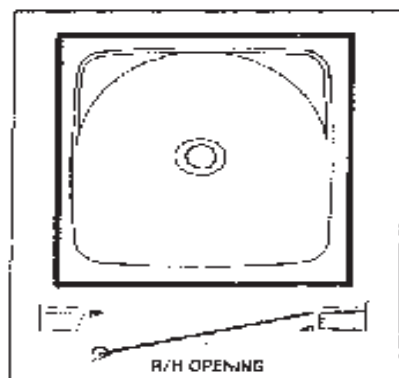
TYPE	ADJUSTMENT TOLERANCE (mm)	
	MIN	MAX
900 mm	836	874
1000 mm	936	974

2 It is recommended that the waste outlet be 'taped over' to avoid the loss of any components during installation.

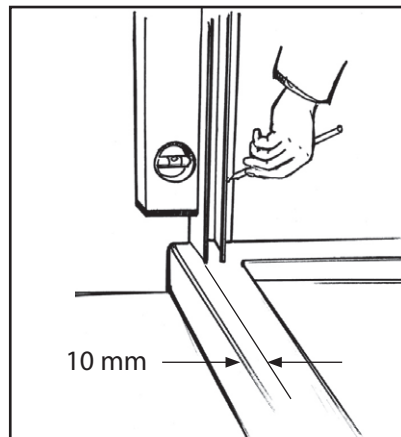
3 Shower base MUST be installed level.



4 Select preferred shower door opening. It is recommended to start the installation from the hinge side of the door.



Position the door wall Retainer Profile against shower wall, resting on the shower base sill with fixing holes facing towards the inside of the shower. The Profile should be located 10mm from the front of the shower base. Check vertical with spirit level and mark fixing holes. ENSURE WALL RETAINER PROFILE IS PLUMB.

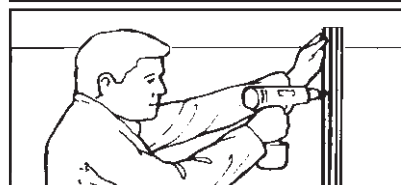


5 Fix hinge side wall retainer in place using 3 of the 6 long screws. Make sure the screws go into studs.

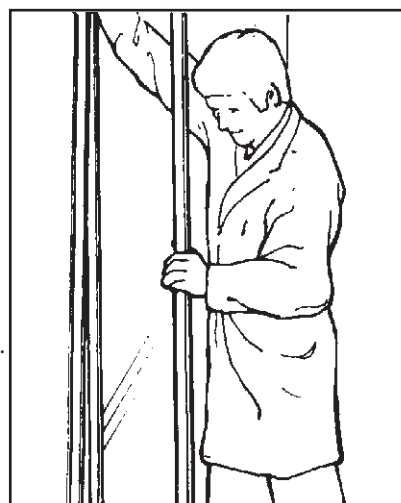
Note: If screwing into backing board only, use appropriate wall anchors in the wall.

CAUTION: We recommend fixing the wall retainers by screwing through the backing board and into studs. Other methods may cause warping and might void warranty.

CAUTION: BEFORE DRILLING HOLES, ENSURE THERE ARE NO ELECTRICAL CABLES OR WATER PIPES BEHIND WALLS



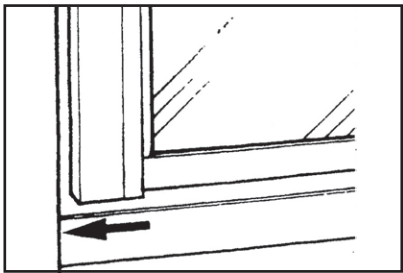
6 Lift door panel onto the tray and slide it hinge side into the wall retainer. Push it hard against the wall.



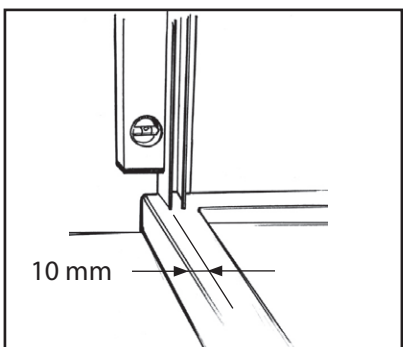
7 Attach second Wall Retainer Profile to Door Assembly.



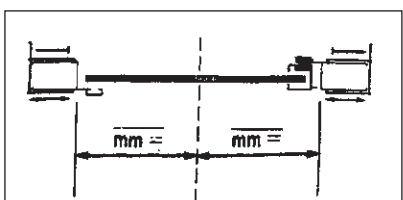
8 Slide Wall Retainer Profile into position against the wall.



Locate the profile 10mm from the front of the shower base. Check vertical with spirit level and fix retainer to the wall using the remaining long screws. Ensure the screws go into the stud. Fit all 6 screw caps.

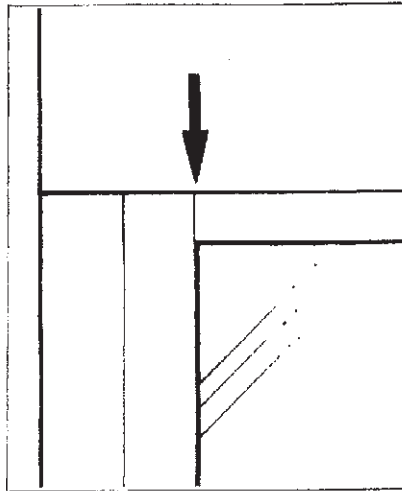


9 Centralise Door Assembly between Wall Retainer Profiles.

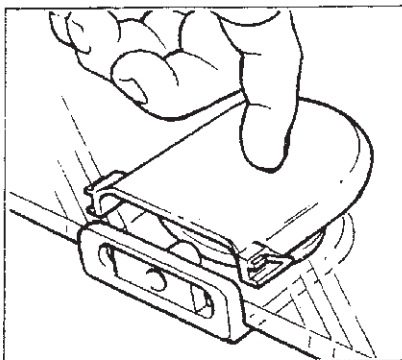


10 Check that the Door Assembly and the Wall Retainer Profile top edges are level.

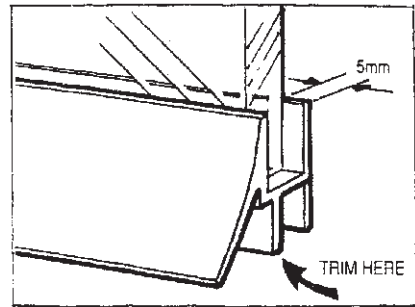
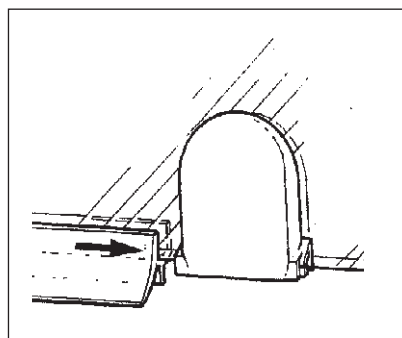
NOTE: DOOR ASSEMBLY MUST BE PLUMB USING A SPIRIT LEVEL.



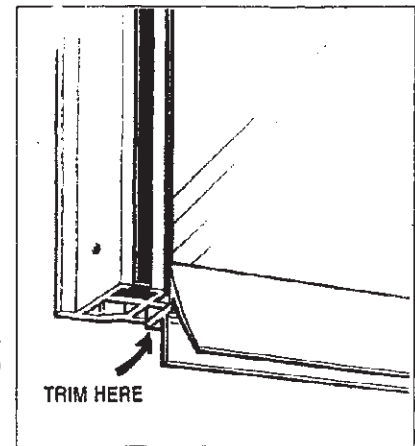
11 Fit top and bottom hinge caps. (Note: bottom cap has 'wings'.)



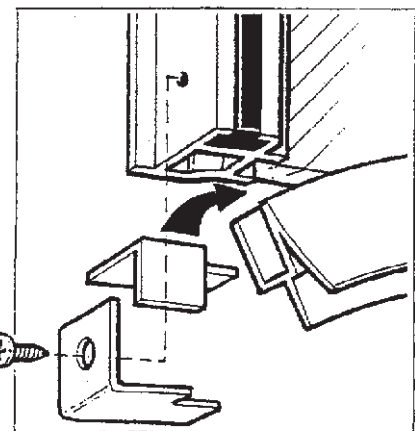
12 Slide drip edge seal over wing on bottom hinge cover and trim off at edge of glass. Repeat between hinge cover and extrusion fixed to door glass.



Ensure the end of this seal just clears the Door Jamb as the door closes to create the best seal.

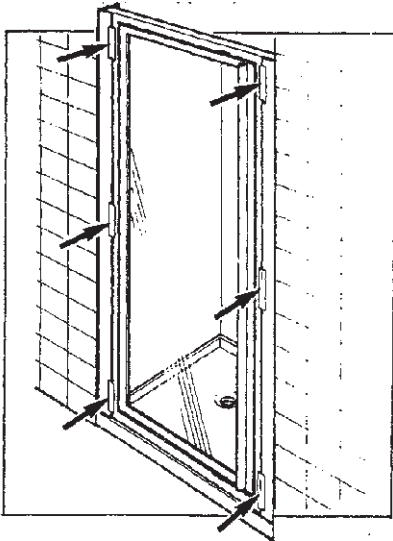


13 Prise drip edge seal off glass beside door edge extrusion enough to slip drip seal moulding underneath. (Note: Drip seal moulding and retainer and 'handed'). Push drip seal firmly back onto glass and pull into contact with door edge extrusion. Clamp in place using the bracket and No. 6 screw.



Fit the other small screw to the top hole in the door edge extrusion.

- 14** Using spirit level plumb Door Assembly. Tape into position as indicated.



NOTE: This is an important part of the installation procedure and your careful attention at this stage will ensure that you will obtain the best possible results.

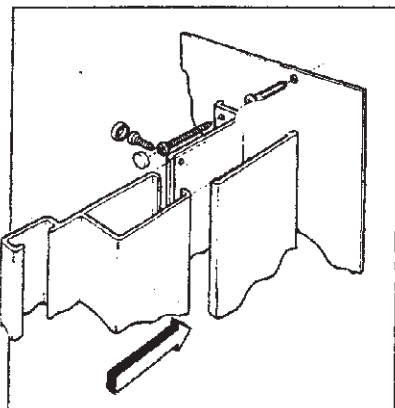
IMPORTANT

TEST THE OPENING AND CLOSING OPERATION OF THE PIVOT DOOR.

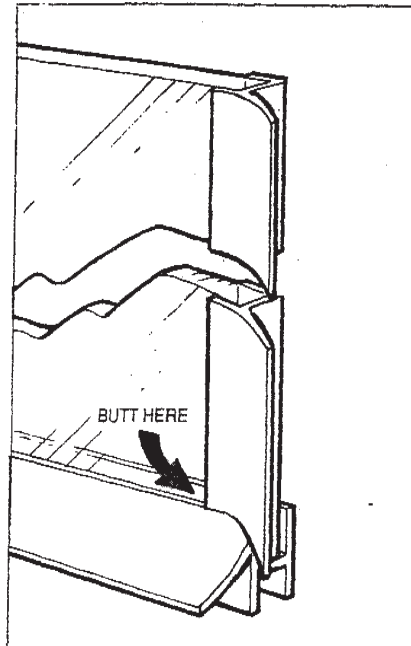
If door alignment is incorrect, door will not function properly and further adjustments are necessary. Remove tape and re-align until correct alignment is achieved.

DO NOT PROCEED TO STEP 15 UNTIL DOOR IS OPERATING CORRECTLY.

- 15** Drill holes (use 2.5mm drill bit, DO NOT USE A BIGGER DRILL BIT) through punched holes at top and bottom of each wall retainer to secure door. Fix screws as pictured. Fit caps & remove positioning tape.



- 16** Fit long seal to hinge edge of glass. Flap faces into enclosure. Push down to butt against bottom seal. Trim to top of glass.



- 17** Fit handles following instructions supplied with handle.

Proceed to section 3, sealant application.

3 - SEALANT APPLICATION

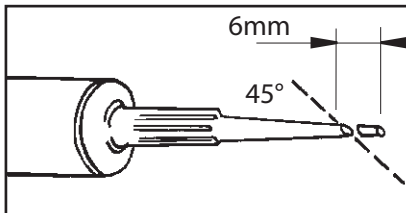
Ensure all joints are clean and dry before applying sealant.

For metallic finish showers, clear silicone is required.
For white finish showers, white silicone is required.

1. SEALANT APPLICATION STEPS

For sealant application, follow steps (a) to (e) detailed below.

(a) Cut tip of silicone tube nozzle at 45° angle.



(b) Hold the tube at 45° angle & push forward as sealant fills the joint

(c) The surface of the sealant can be smoothed (before surface dries) by using a gloved finger dipped in a small quantity of water with one drop of washing liquid added.

(d) Excess sealant should be removed immediately with a damp cloth.

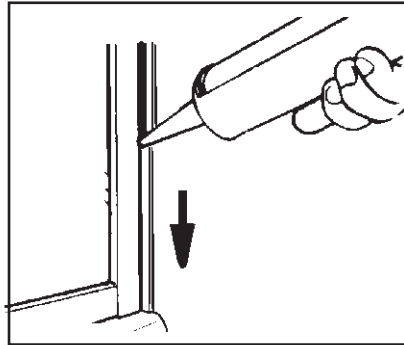
(e) Allow the silicone 24 hours to cure before using the enclosure.

CAUTION: Avoid contact with skin, eyes and mouth and avoid breathing vapour. If in eyes, immediately flush with water. If irritation persists, seek medical attention. Keep out of reach of children.

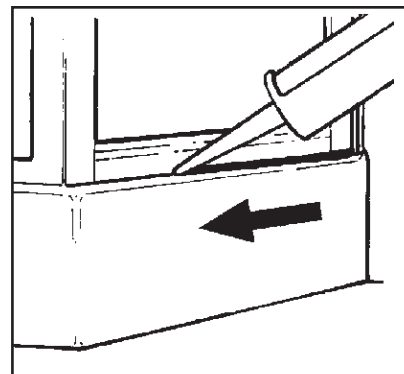
IMPORTANT

SIKASIL NG SEALANT SHOULD BE APPLIED TO ALL OUTSIDE JOINTS. DO NOT SEAL FROM INSIDE.

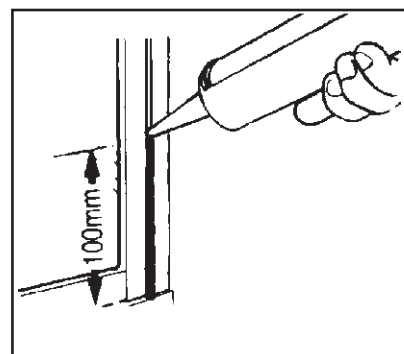
2a. Seal full height of the joint between the Walls and the Wall Retainers.



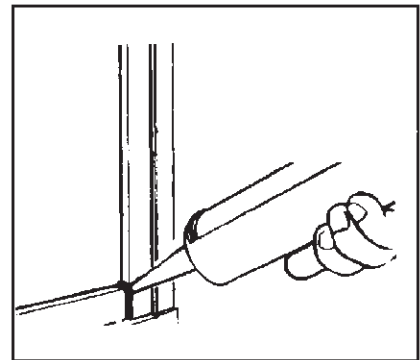
b. Seal joint between the Door Sill and the Shower Tray. For corner enclosures, seal the joint between the Return Panel and the Shower Tray.



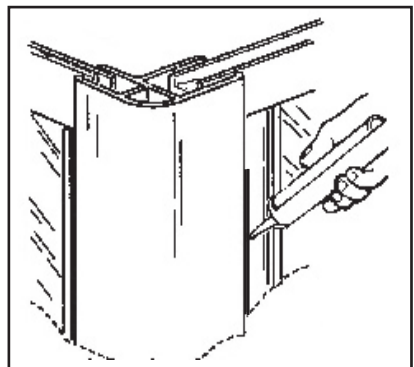
c. To a height of 100mm, seal joints between Door Frame and Wall Retainer(s). For corner enclosures, seal joint between Door Frame and Corner Post.



d. For corner enclosures, seal up to the PVC gasket joints between Return Panel & Corner Post and Return Panel & Wall Retainer.



e. For corner enclosures, on metallic finish showers seal the joint between the Corner Post and Door Jamb.



IMPORTANT

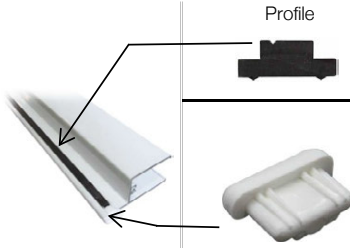





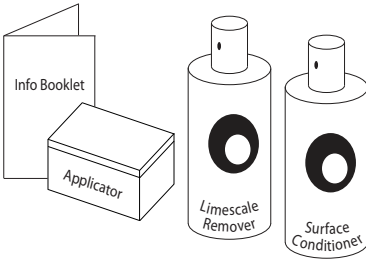



ALLOW 24 HOURS FOR SEALANT AND ADHESIVE TO CURE BEFORE USING THE SHOWER.













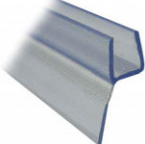

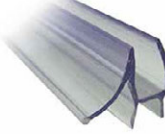

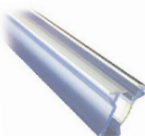



INSTALLATION COMPLETE

4 - SPARE PARTS

Spare Part Image	Description	Codes
	Hinge Kit - 1 x kit, contains part numbers on this page (marked with Ø)	Englefield 1152757 White
	Hinge outer - Door hinge - 1 x outer hinge	Englefield Q6700-W3 White Englefield Q6700-CP Ø Chrome
	Hinge inner - Door hinge - 1 x inner hinge	Englefield Q6701-NP Ø
	Pad - Outer - Door hinge - 1 x Outer hinge pad	Englefield Q670002 Ø
	Pad - Inner - Door hinge - 1 x inner hinge pad	Englefield Q670001 Ø
	Screw M6x16 - Door hinge - 1 x Hinge screw - M6x16	Englefield Q912320 Ø
	Pin - Door hinge - 1 x Hinge pin - 5mm x 30mm	Englefield Q913000 Ø
	Bush - Door hinge - 1 x hinge bush	Englefield Q356050 Ø
	Pivot block - Door hinge - 1 x hinge pivot block	Englefield Q3800-0 Ø White Englefield Q3800-GY Grey
	Cover set - Door hinge - 1 x bottom hinge cover with wings & 1 x top hinge cover	Englefield Q6710-W3 Ø White Englefield Q6710-CP Chrome

Spare Part Image	Description	Codes
 <p>Profile</p>	<p>Magnetic strip - 1 x generic length door magnetic strip</p>	<p>Englefield Q360000</p>
	<p>End cap - Magnetic strip - 1 x magnetic strip end cap</p>	<p>Englefield Q3530-W3 White</p> <p>Englefield Q3530-GY Grey</p>
	<p>Frame Block - 1 x frame block</p>	<p>Englefield Q3500-W3 White</p> <p>Englefield Q3500-GY Grey</p>
	<p>Bracket kit - VQR drip seal retainer - 2 x 9mm coated screws, 2 x retainer brackets & 2 x drip seal mouldings</p>	<p>Englefield Q9097-W3 White</p> <p>Englefield Q9097-GY Grey</p>
	<p>Screw kit - Extrusion assembly - 8 x 33mm screws, 13 x 9mm screws & 13 x screw caps (for 9mm screws)</p>	<p>Englefield Q9090-0 White</p> <p>Englefield Q9090-GY Grey</p>
	<p>Screw cap pack - 15 x white screw cap</p>	<p>Englefield 1152746 White</p>
 <p>Info Booklet Applicator Limescale Remover Surface Conditioner</p>	<p>Glass Aftercare Pack - Limescale Remover Surface Conditioner Applicator Sponge Information Booklet</p>	<p>Englefield 98945A-NA</p>
 <p>Profile</p>	<p>Door jamb - Magnet side - 1 x door jamb - magnet side</p>	<p>Englefield Q1100-T-W3 White 1930mm</p> <p>Englefield Q1100-T-SA Silver 1930mm</p> <p>Englefield Q1100-T-SS Satin 1930mm</p>
 <p>Profile</p>	<p>Door jamb - Standard - 1 x door jamb extrusion</p>	<p>Englefield Q1104-T-W3 White 1930mm</p> <p>Englefield Q1104-T-SA Silver 1930mm</p> <p>Englefield Q1104-T-SS Satin 1930mm</p>
 <p>Profile</p>	<p>Post - 90 degrees (Square Corner Only) - 1 x 90 degree post</p>	<p>Englefield Q1123-T-W3 White 1930mm</p> <p>Englefield Q1123-T-SA Silver 1930mm</p> <p>Englefield Q1123-T-SS Satin 1930mm</p>

Spare Part Image	Description	Codes
 	<p>RH Top / LH Bottom extrusion - 900 Door - 1 x RH top or LH bottom door extrusion</p> <p>Reference: Length = 831mm Distance from end to centre of pivot hole = 187mm</p>	<p>Englefield Q2230-W3 White</p> <p>Englefield Q2230-SA Silver</p> <p>Englefield Q2230-SS Satin</p>
 	<p>LH Top / RH Bottom extrusion - 900 Door - 1 x LH top or RH bottom door extrusion</p> <p>Reference: Length = 831mm Distance from end to centre of pivot hole = 187mm</p>	<p>Englefield Q2231-W3 White</p> <p>Englefield Q2231-SA Silver</p> <p>Englefield Q2231-SS Satin</p>
 	<p>RH Top / LH Bottom extrusion - 1000 Door - 1 x RH top or LH bottom door extrusion</p> <p>Reference: Length = 931mm Distance from end to centre of pivot hole = 187mm</p>	<p>Englefield Q2235-W3 White</p> <p>Englefield Q2235-SA Silver</p> <p>Englefield Q2235-SS Satin</p>
 	<p>LH Top / RH Bottom extrusion - 1000 Door - 1 x LH top or RH bottom door extrusion</p> <p>Reference: Length = 931mm Distance from end to centre of pivot hole = 187mm</p>	<p>Englefield Q2236-W3 White</p> <p>Englefield Q2236-SA Silver</p> <p>Englefield Q2236-SS Satin</p>
 	<p>Wall retainer - Return - 1 x return wall retainer</p>	<p>Englefield Q1121-T-W3 White 1930mm</p> <p>Englefield Q1121-T-SA Silver 1930mm</p> <p>Englefield Q1121-T-SS Satin 1930mm</p>
 	<p>Wall retainer - Door - 1 x door wall retainer</p>	<p>Englefield Q1200-T-W3 White 1930mm</p> <p>Englefield Q1200-T-SA Silver 1930mm</p> <p>Englefield Q1200-T-SS Satin 1930mm</p>
 	<p>Seal - Vertical - Door - 1 x door seal</p>	<p>Englefield Q634050-T 1930 shower</p>
 	<p>Seal - Straight glass - Door bottom - 1 x generic length Valencia door bottom straight drip seal</p>	<p>Englefield Q371111</p>
 	<p>U Seal - 1 x vertical U seal</p>	<p>Englefield Q37105-T-W3 White 1930mm</p> <p>Englefield Q37105G-T Grey 1930mm</p>

CLEANING AND MAINTENANCE INSTRUCTIONS

Please refer to our website for cleaning instructions.

CONTACT AND WARRANTY INFORMATION

- For contact information, please refer to the Home Owner's Guide.

- For warranty and other information, please visit our website.

NEW ZEALAND
KOHLER NZ LTD

www.inglefield.co.nz

AUSTRALIA
KOHLER AUSTRALIA

www.inglefield.com



Trusted in New Zealand Since 1982