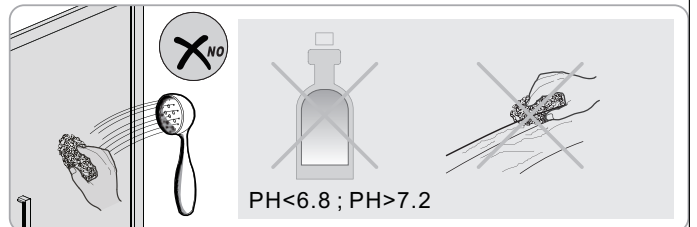
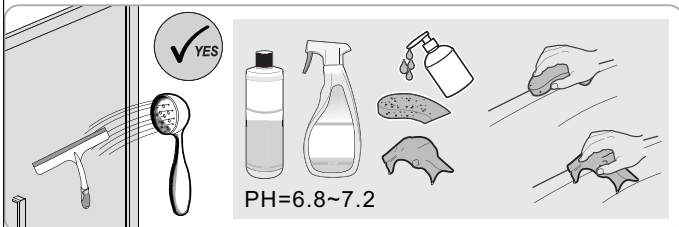
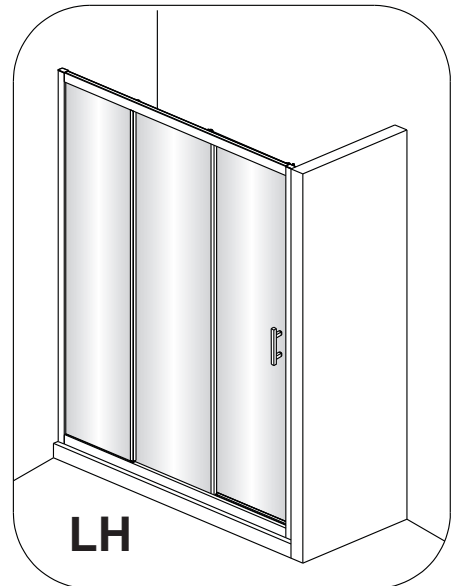
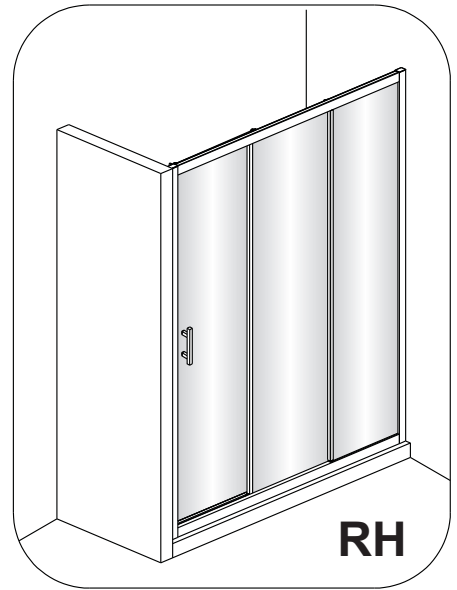
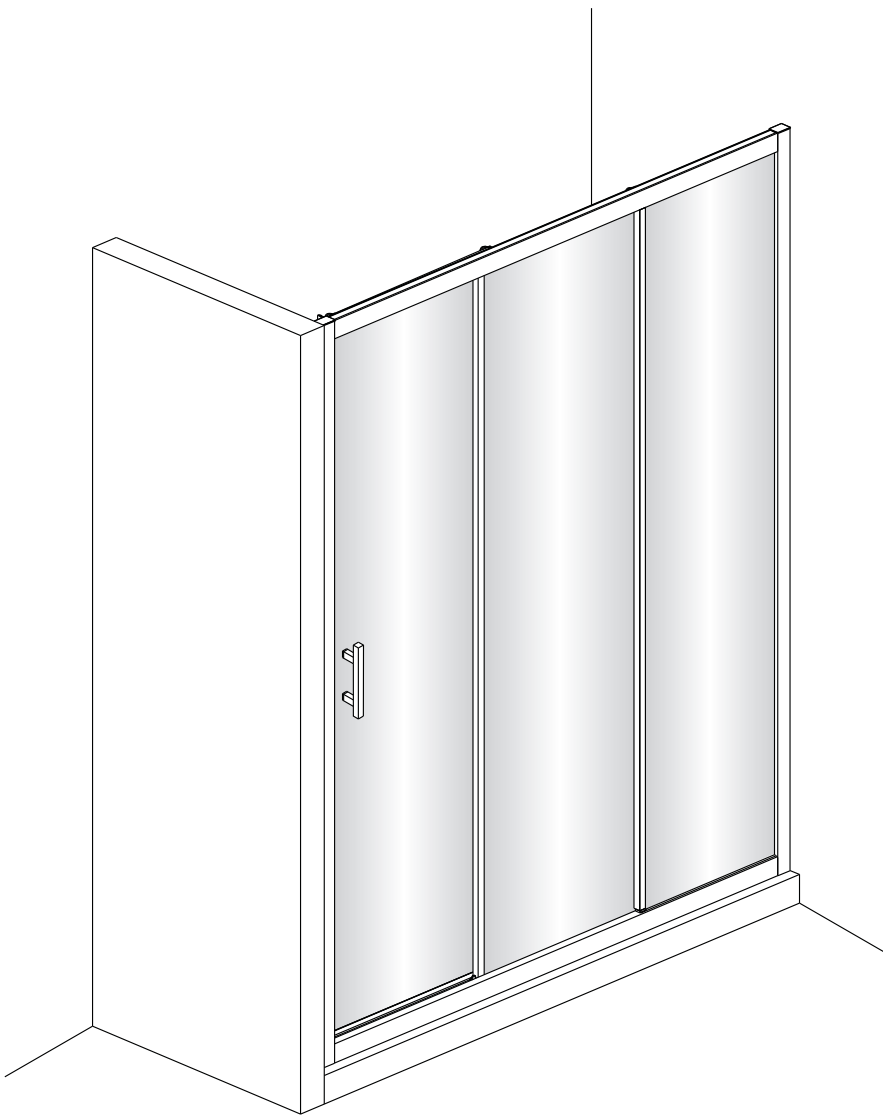
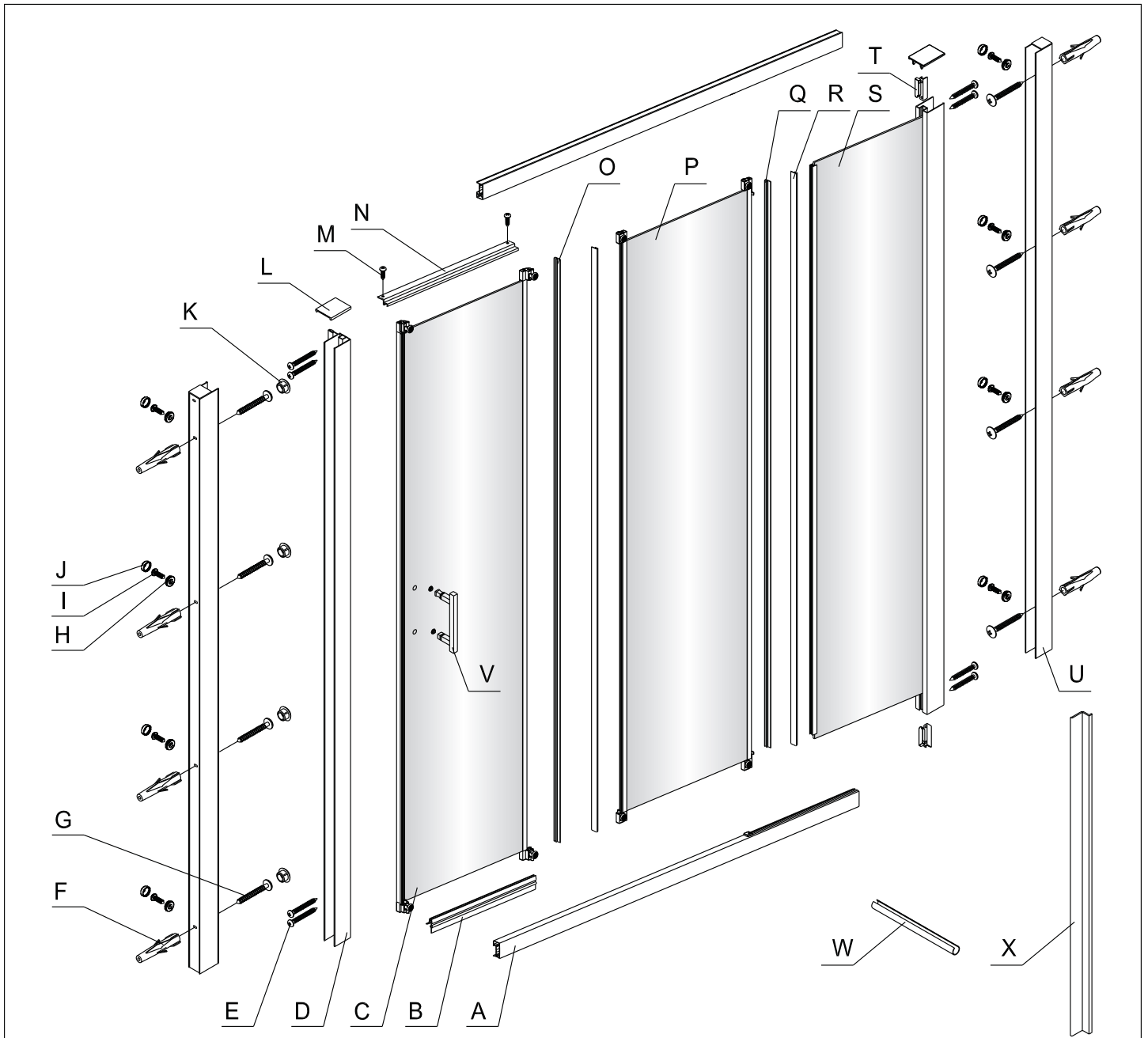
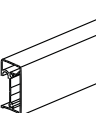
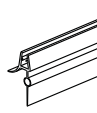

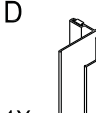
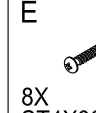
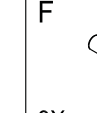
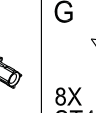
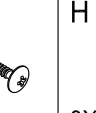
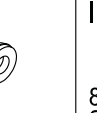


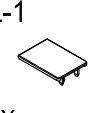

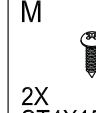
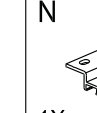
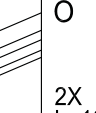
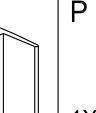
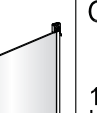
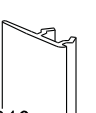
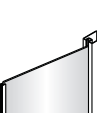
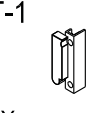
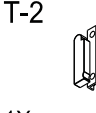

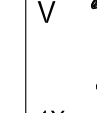
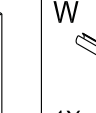
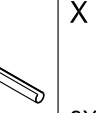
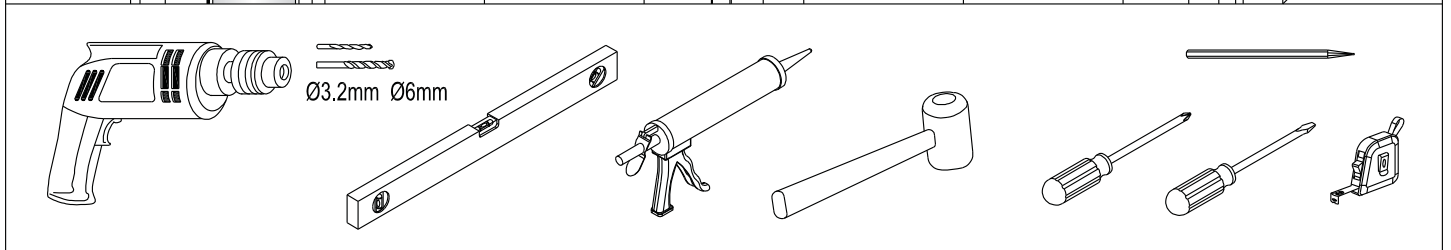


# Sliding Square Shower Installation Instructions

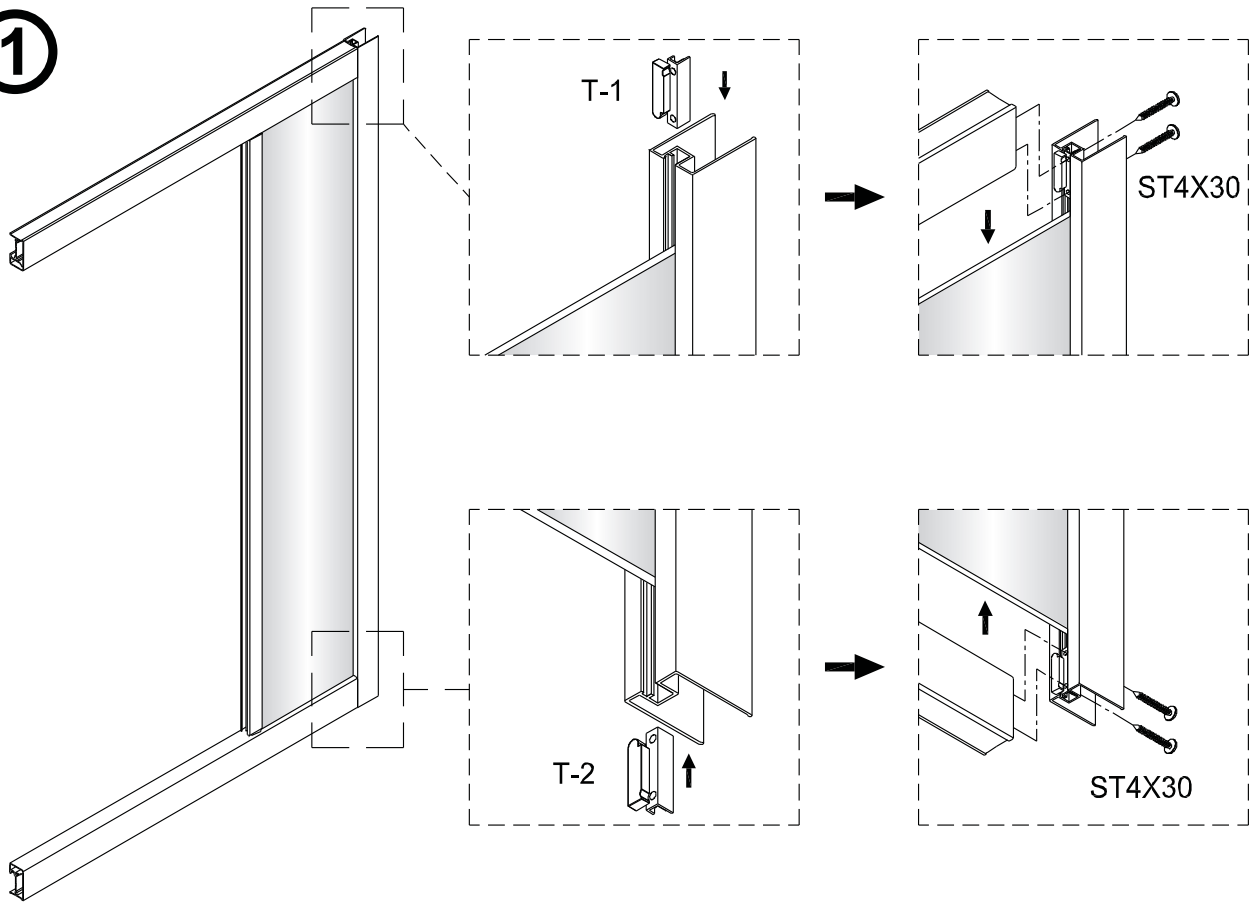




A 2X 	B 1X 	C 1X 	D 1X 	E 8X ST4X30 	F 8X 	G 8X ST4X40 	H 8X 	I 8X ST4X12 
J 8X 	K 4X 	L-1 1X 	L-2 1X 	M 2X ST4X15 	N 1X 	O 2X L=1838 	P 1X 	Q 1X L=1794 
R 1X L=1810 	S 1X 	T-1 1X 	T-2 1X 	U 2X 	V 1X 	W 1X 	X 2X 	

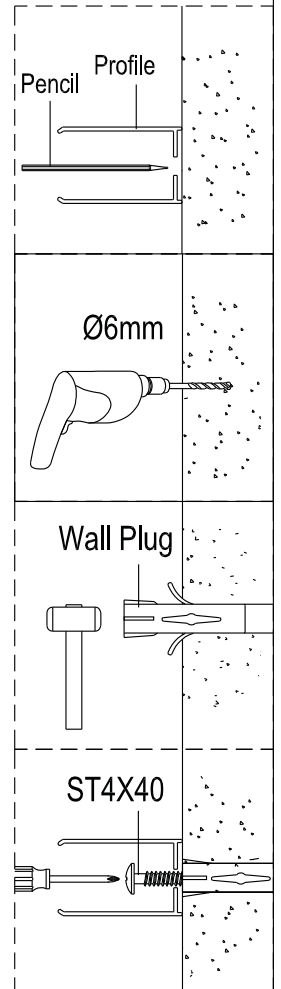
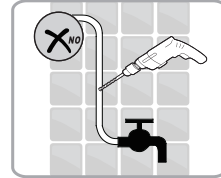
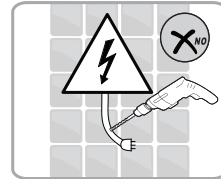
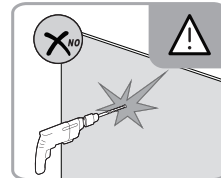
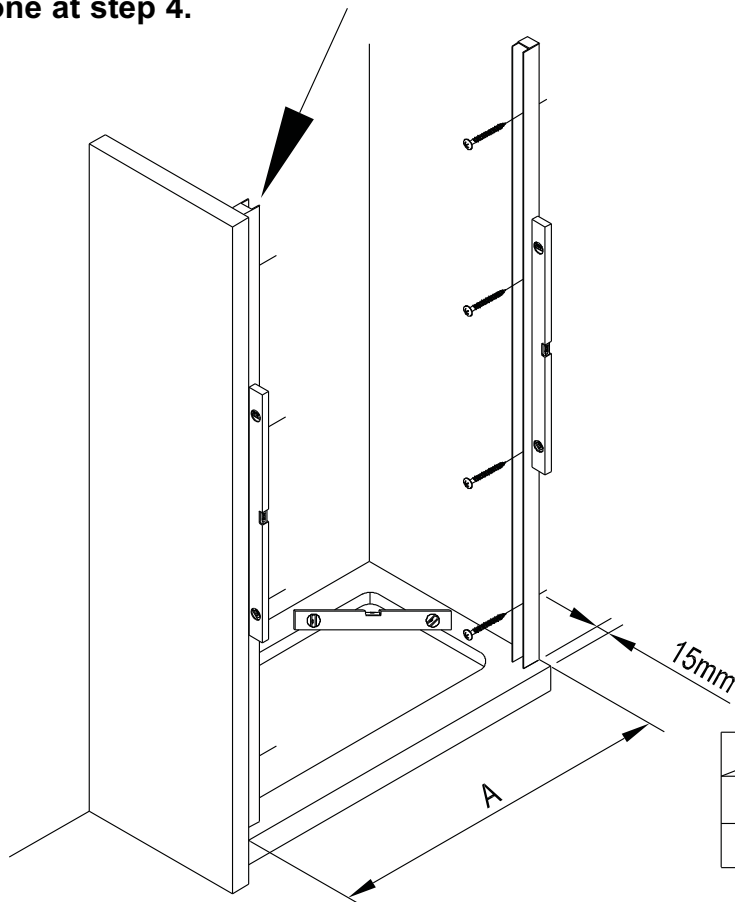


1



At this step the wall profile on the handle side should not be fixed to the wall, and should be done at step 4.

2

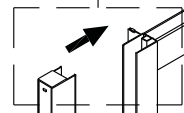
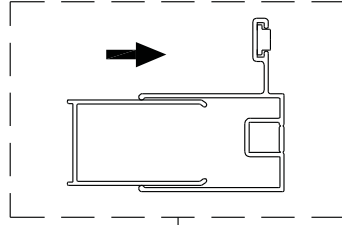


3

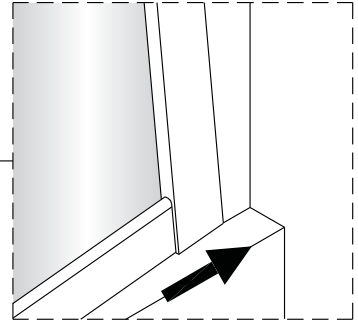
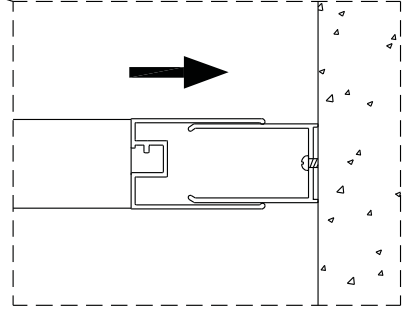
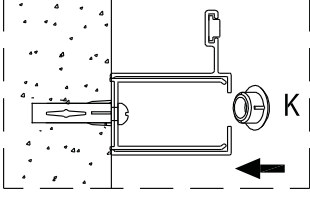
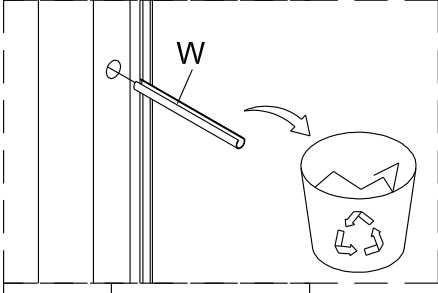
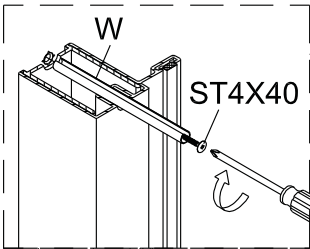
ST4X30

D

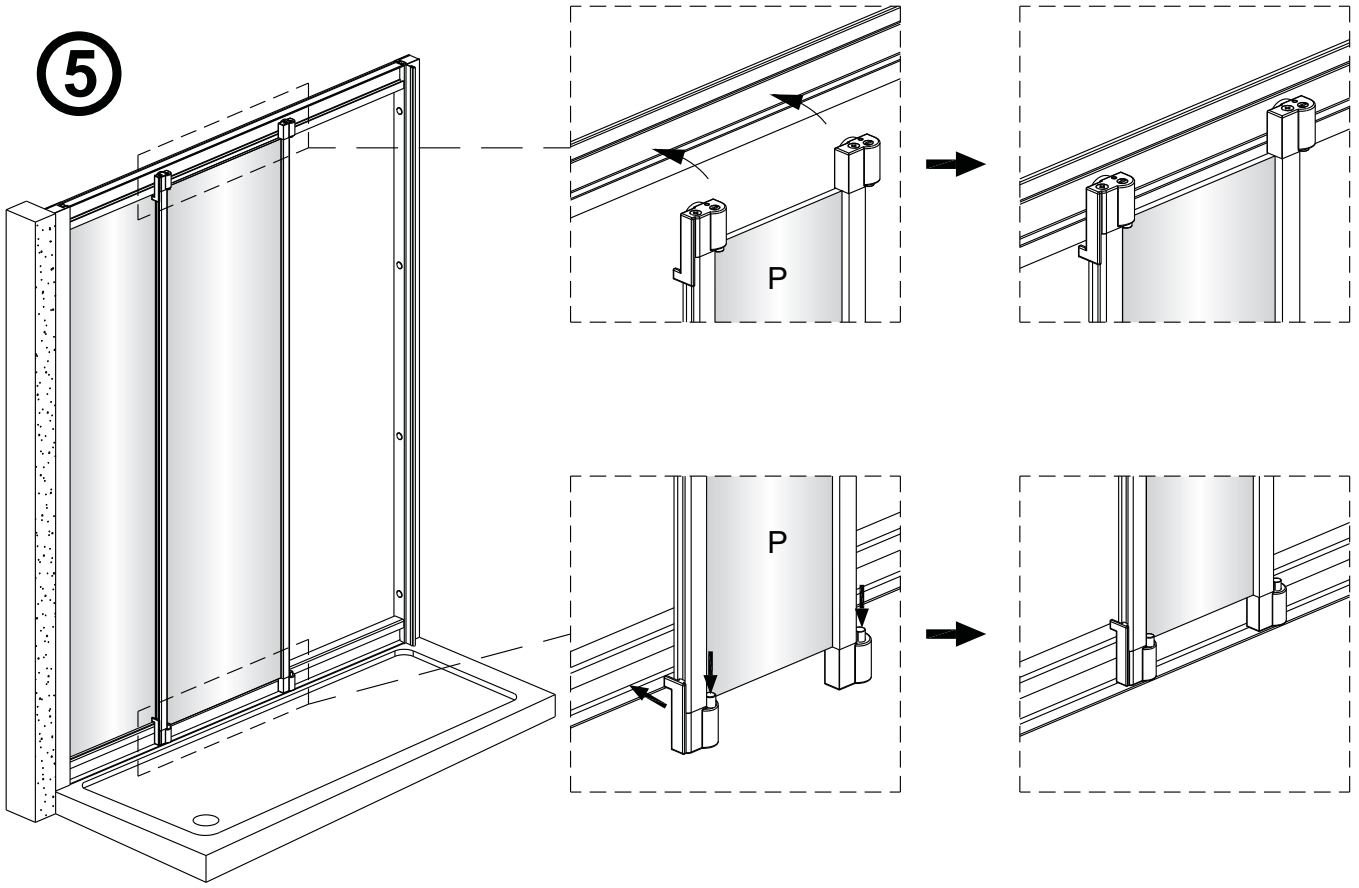
ST4X30



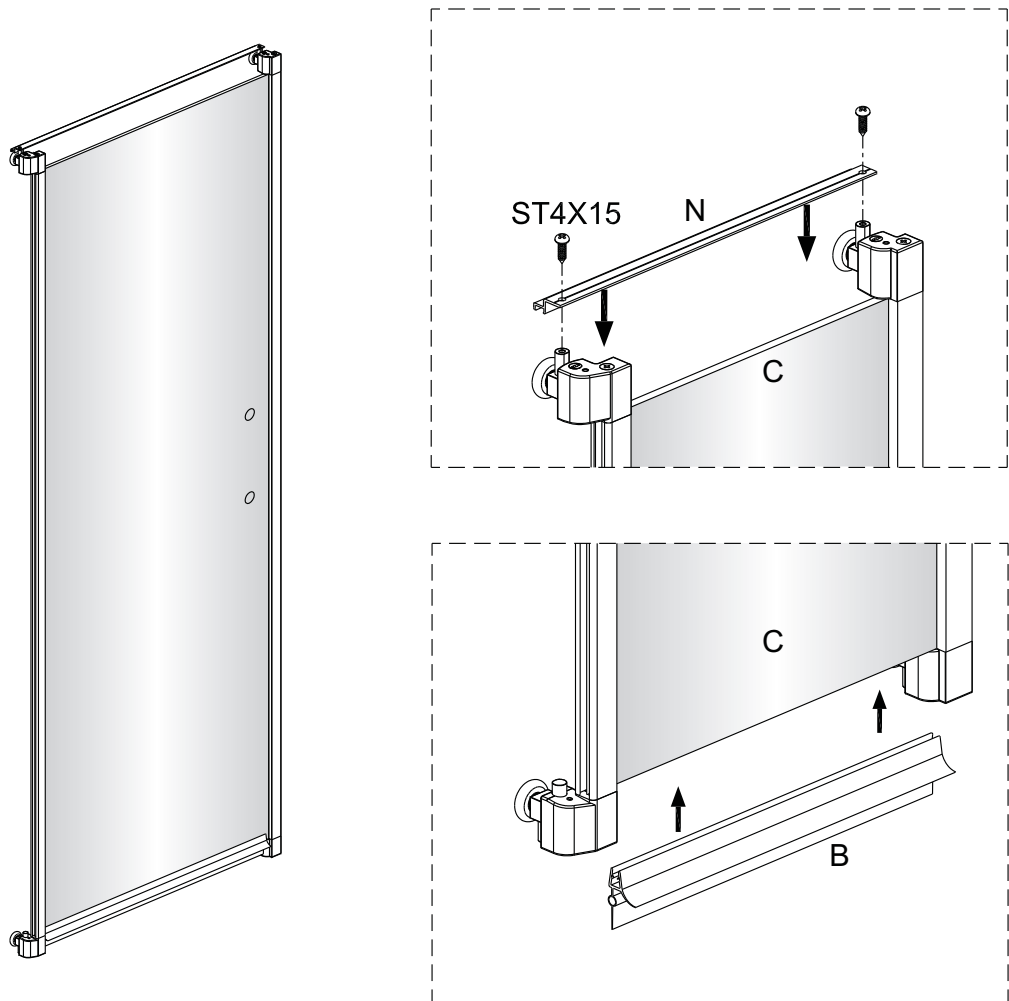
4



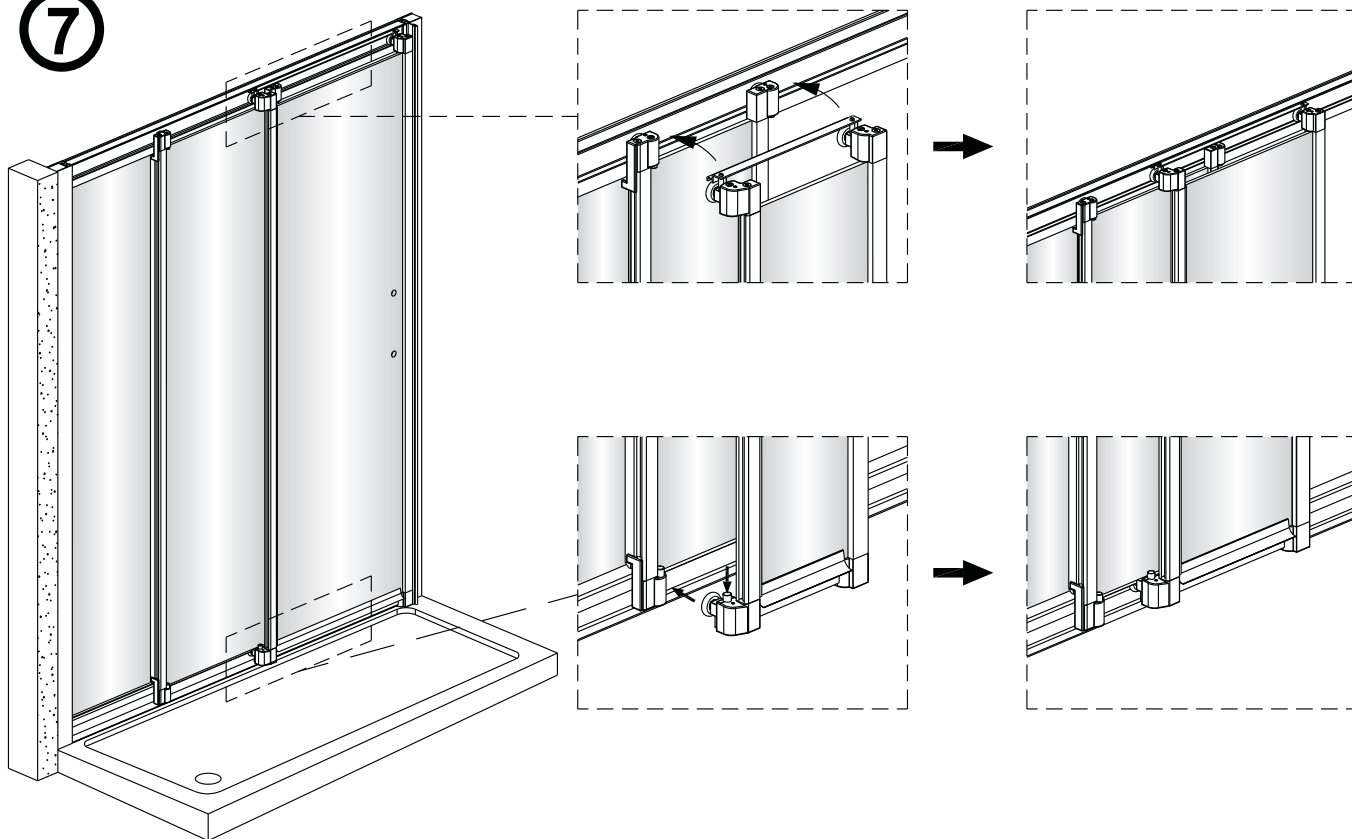
5



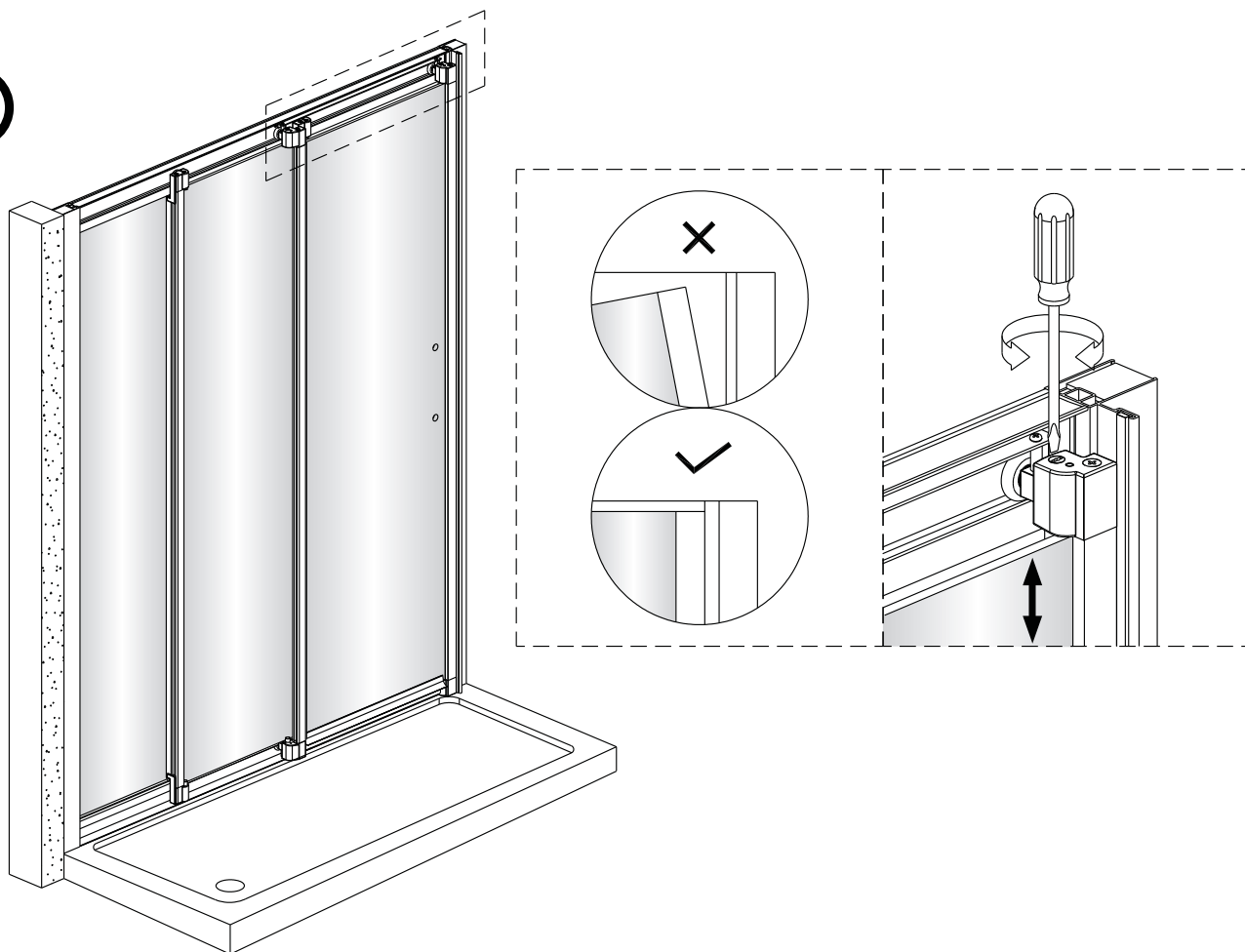
6



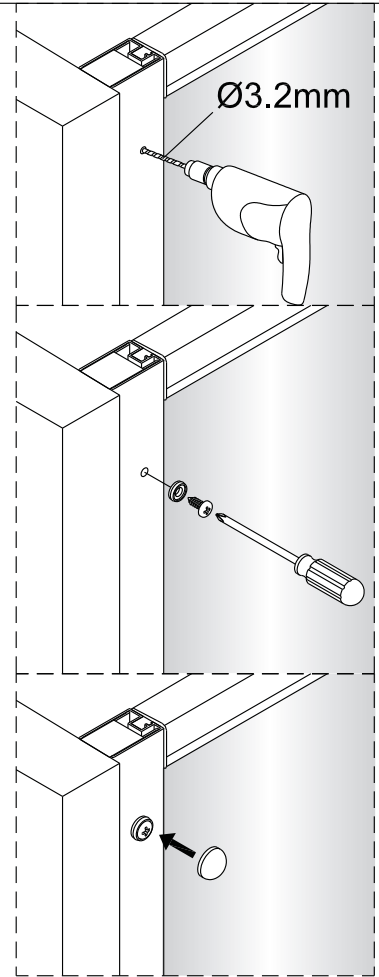
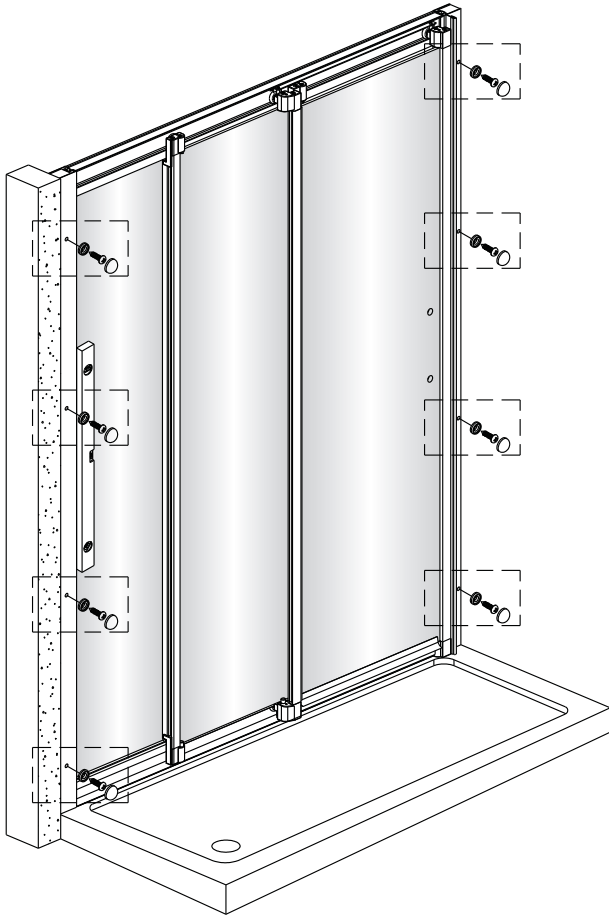
7



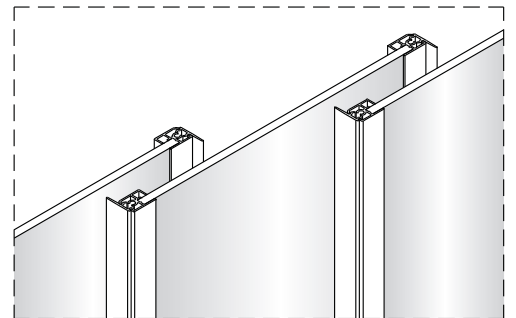
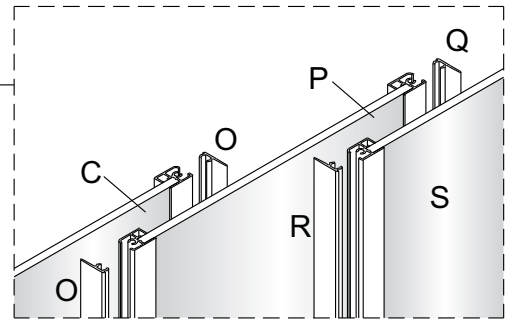
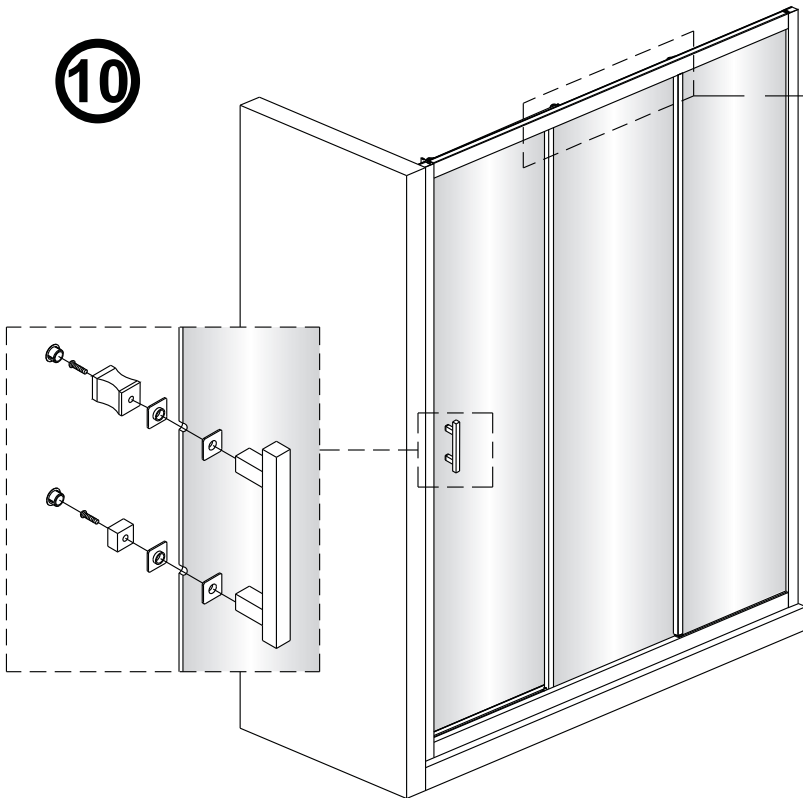
8

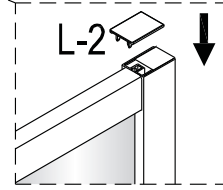
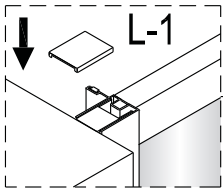


9

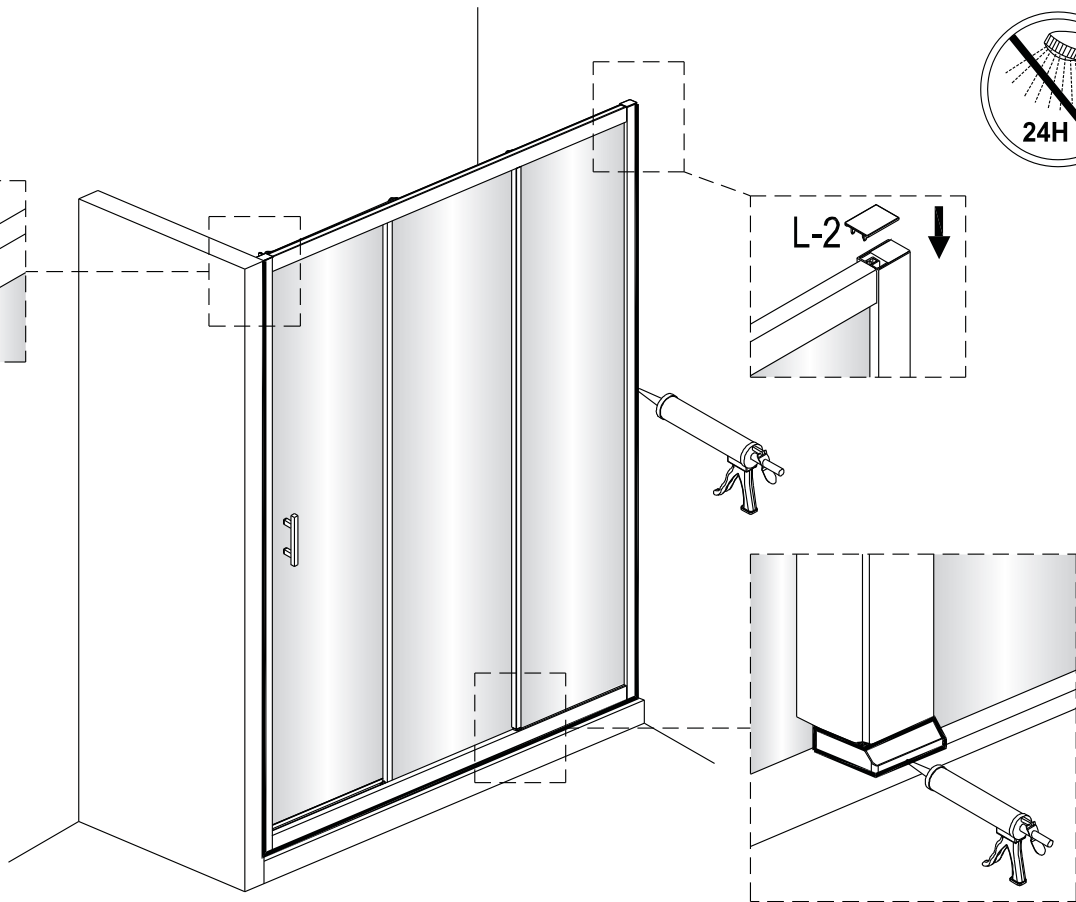


10





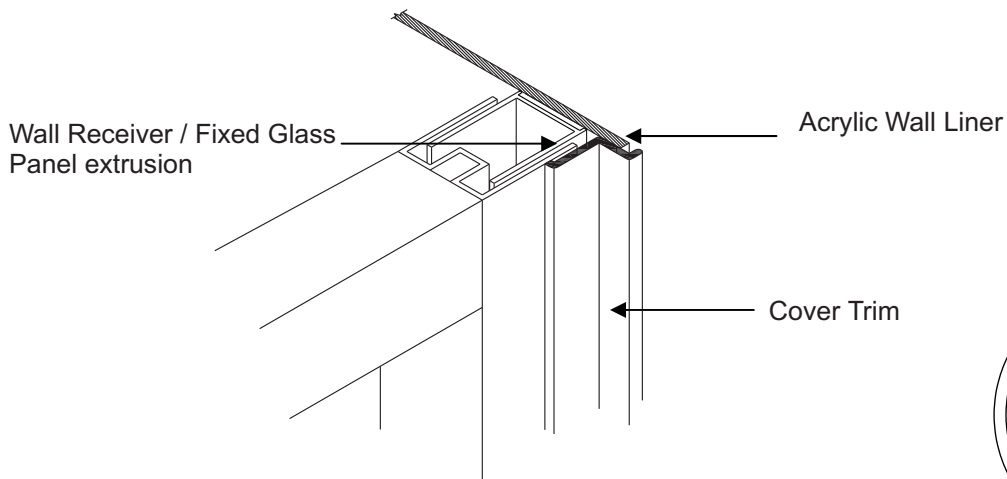
11



## 12 Fitting Cover trims (For acrylic wall installations only)

The Cover Trim is provided to cover the exposed vertical edge of the wall liner and is the final step of the installation.

To fit the Cover trim apply small vertical beads of silicone down the Wall Receiver/ Fixed glass panel extrusion and the exposed acrylic wall liner. Embed the Cover trim into the silicone and allow to cure. If the liner extends more than 10mm it may need to be trimmed prior to fitting the Cover Trim



**For further information contact:**

OPR Ltd, 54-58 Hillside Road, Private Bag 40902 Glenfield, Auckland 1310, New Zealand  
Telephone: (09) 444 3780, Facsimile: 0800 88 00 11