

PLUMBERS INSTALLATION INSTRUCTIONS

Important Information

- * Showerhead and shower arms are sold separately.
- * Not suitable for gravity feed systems.
- * The showerhead is fitted with a flow regulator. The lower flow rate may not be suitable for connection to some gravity fed Water Heaters, some low pressure supply networks, some Instantaneous Water Heaters, some Tempering Valves, some Solar Water Heaters & some Thermostatic Mixing Valves. Check with the manufacturers of these products.
- * Threaded nipple (2) must be square to Wall or ceiling surface to ensure correct installation.
- * All pipework must be thoroughly flushed prior to installation, as foreign materials may block the flow regulating device and reduce the flow of water.

Installation

- 1) Check that threaded nipple (2) is the correct length, as shown. Cut to length if required ensuring end face is square. Apply thread tape to the thread.
Important : Care must be taken that thread tape cannot become dislodged and block the flow regulating device, causing a reduction in water flow.
- 2) Fit 'O'ring (3) into groove in cover plate (1). Place the cover plate (1) with 'O'ring (3) over the threaded nipple (2). Screw the shower arm (4) onto the threaded nipple (2) and tighten until the cover plate abuts the ceiling OR wall surface.
- 3) Ensure flow regulator (6) and rubber washer (5) are in position in shower head (7). Carefully screw shower head (7) onto the thread of shower arm (4) using a 22mm A/F spanner & tighten, taking care not to damage the decorative finish.

+ Shower arms are sold separately.

IMPORTANT	
Pressure & Temperature Requirements.	
•	Hot and cold water inlet pressures should be equal.
•	Static inlet pressure range : 150 -1000 kPa New Regulation :-500 kPa maximum operating pressure at any outlet within a building.(Ref. AS/NZS 3500.1)
•	Maximum hot water temperature : 80°C.

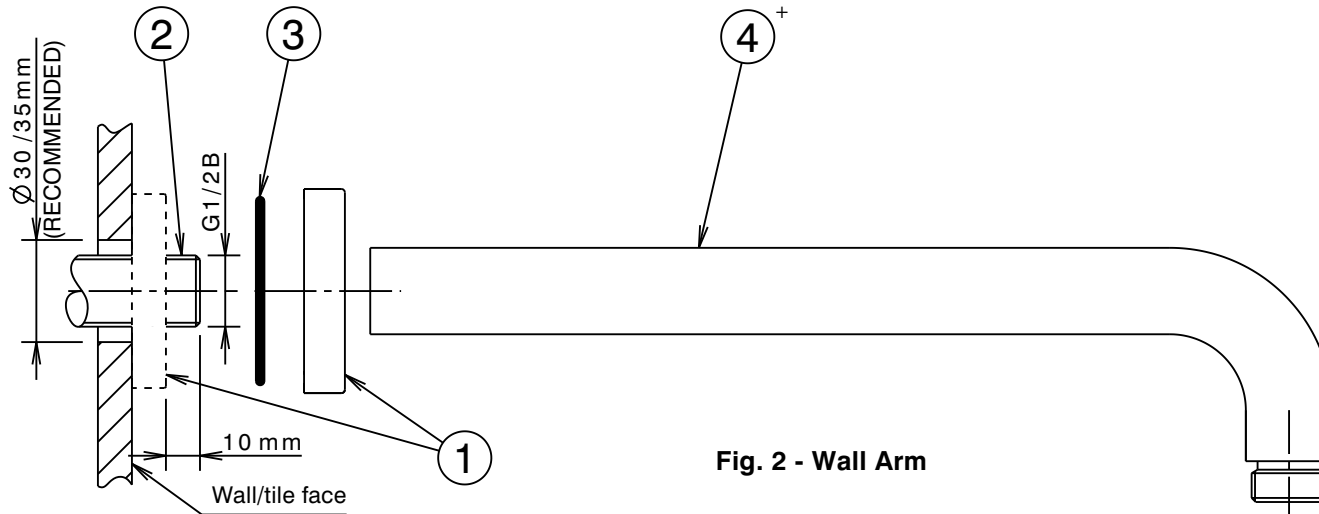


Fig. 2 - Wall Arm

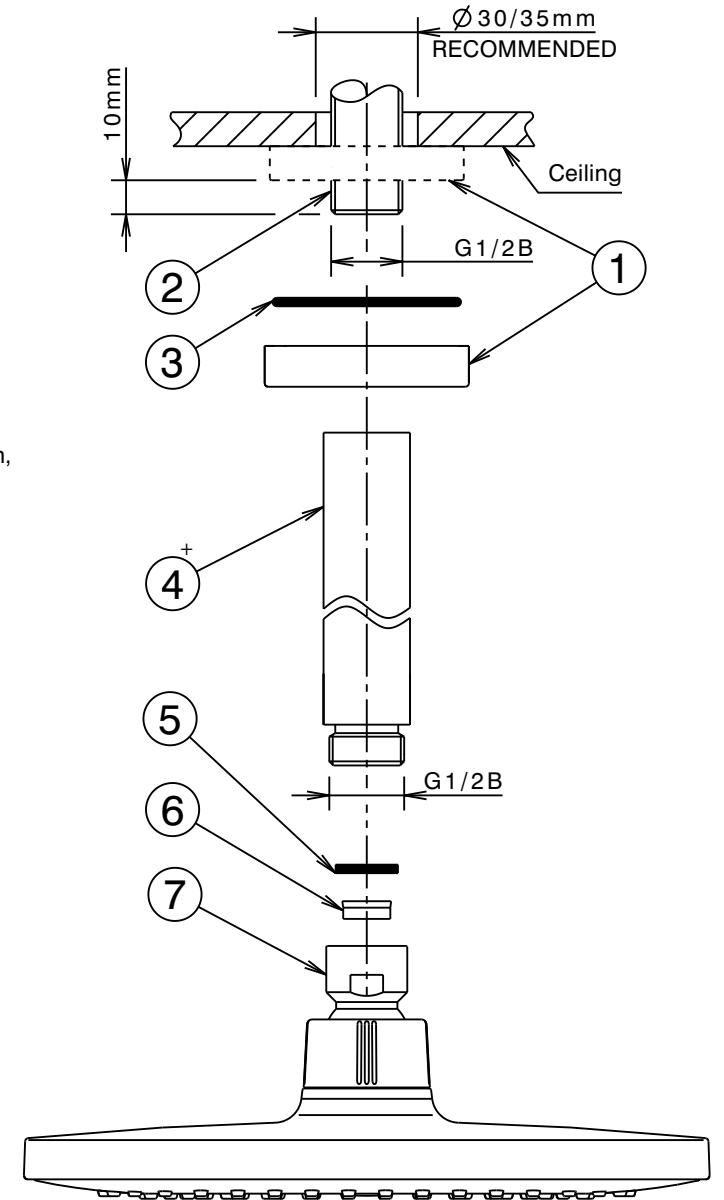


Fig. 1 - Ceiling Arm