

**ZO  
MO  
DO**

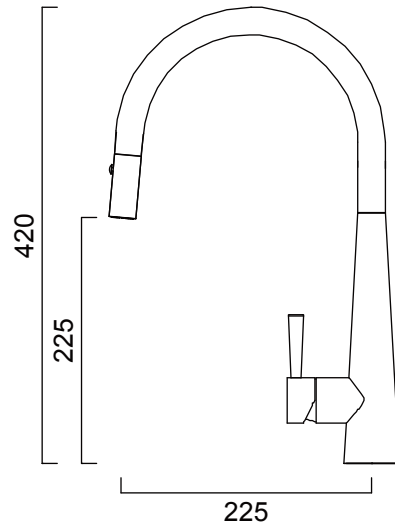
ZOMODO.CO.NZ

**TAP INSTALLATION**



**ZO  
MO  
DO**

ZO  
MO  
DO



## Care and Maintenance

In order to ensure proper function over the lifetime of the tap, smoothly operate the handle and pull-out hand shower during use. When installing do not over tighten the locking nut. Regularly clean the tap with a soft, damp cloth and avoid abrasive cleaners, steel wool, and strong chemicals.

## Working Specifications

Working pressure: 20-100 psi  
Working temperature: 1-60°C

This tap must be installed in accordance with the AS/NZS 3500 series standard. All Zomodo taps are strongly recommended to be installed by a licensed plumber. Improper installation may void the warranty.

## Notes

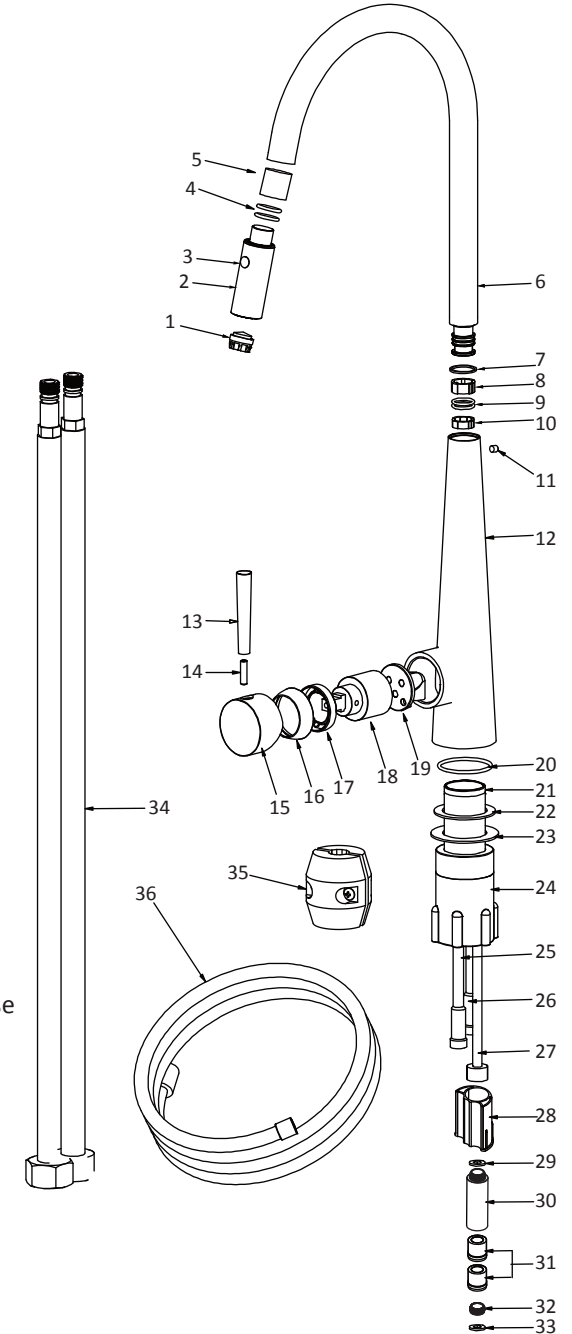
1. All pipework must be thoroughly flushed prior to installation as foreign materials may block the flow .
2. Aerator and the flow control can be removed with standard tool and cleaned.
3. If a screen-filter is fitted into the tap, remove it and flush the pipes and tap to remove grit. Then re-insert the screen.

CIGNUS14

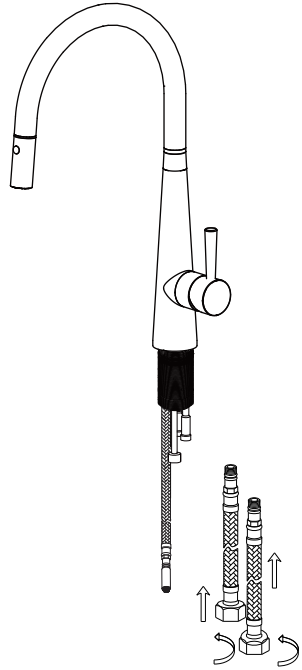
## Parts List

- 1 Aerator
- 2 Pull out spray
- 3 Button
- 4 O-ring
- 5 Plastic sleeve
- 6 Spout
- 7 Guide washer
- 8 Guide sleeve
- 9 O-ring
- 10 Guide nut
- 11 Screw
- 12 Faucet body
- 13 Pin lever
- 14 Screw
- 15 Handle cap
- 16 Cover
- 17 Locking Nut
- 18 Cartridge
- 19 Cartridge base
- 20 O-ring
- 21 Locking Screw
- 22 Plastic washer
- 23 Steel washer
- 24 Plastic locking nut
- 25 Connection tube - hot
- 26 Connection tube- cold
- 27 Connection tube - pullout hose
- 28 Pull-out hose guide
- 29 Washer
- 30 Brass connector
- 31 Check-valve
- 32 Brass connector
- 33 Washer
- 34 Flexible hose
- 35 Weight
- 36 Pull out hose

ZO  
MO  
DO



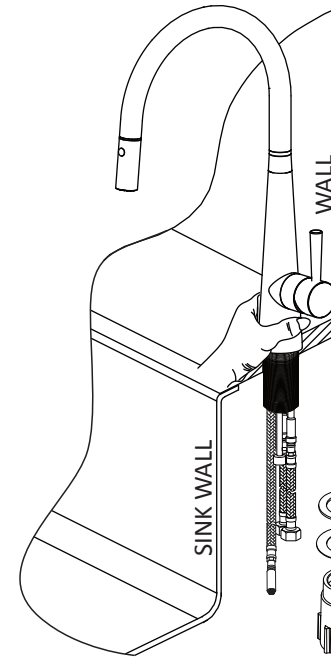
CIGNUS14



### Step 1

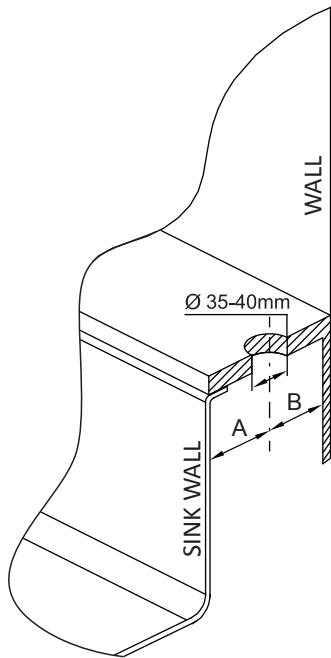
Attach the hoses (34) to the connection tube (25,26) and tighten firmly. Do not use thread tape, as the water-tight seal is provided by O-rings. Do not over tighten.

Note: Use the hose with RED braid-strands for the hot water connection. Connect hot water to the rigid pipe with red marking.



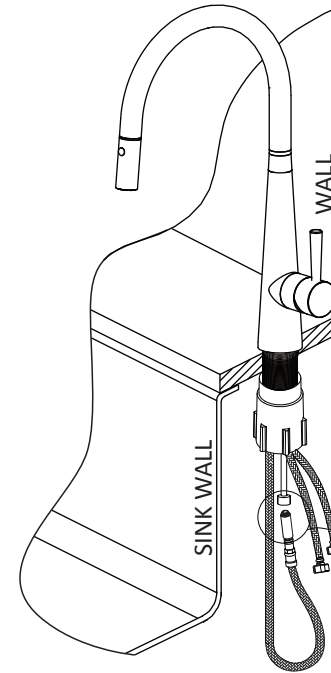
### Step 3

Insert the tap into the countertop and ensure the O-ring (20) is secure in the groove of the tap body. Then slide the washers (22 and 23) onto the threaded body of the tap followed by the nut (24) in the order shown in the diagram. Tighten the nut (24) by hand and ensure the tap is correctly aligned above the countertop.



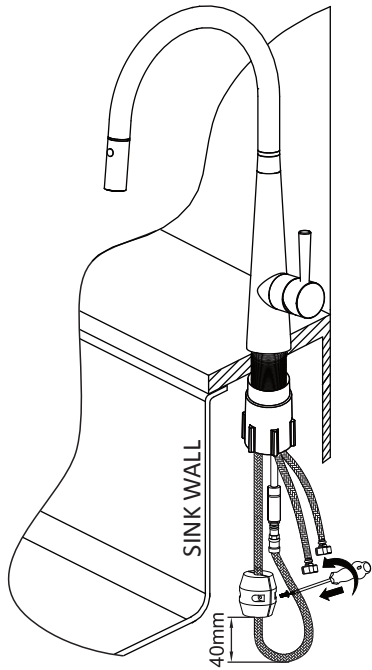
### Step 2

Locate a hole centre in the countertop at least 50mm from the wall and with enough clearance to the rim/flange of the sink. Dim. A >50mm(2") and Dim. B >50mm (2") . If you need to locate the tap within these dimensions, you should ensure enough clearance for the mounting washers and nut (22,23,24). Cut a hole 35 to 40mm diameter into the countertop .



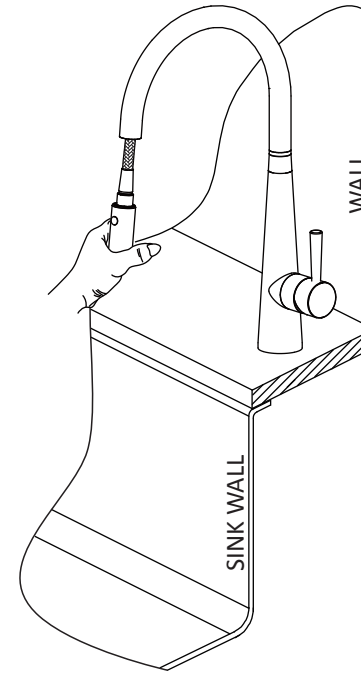
### Step 4

Ensure washer (33) is inserted into connection tube (27) before attaching pull-out hose (36). Tighten with the small spanner. Do not use thread tape, as the water-tight seal is provided washer (33).



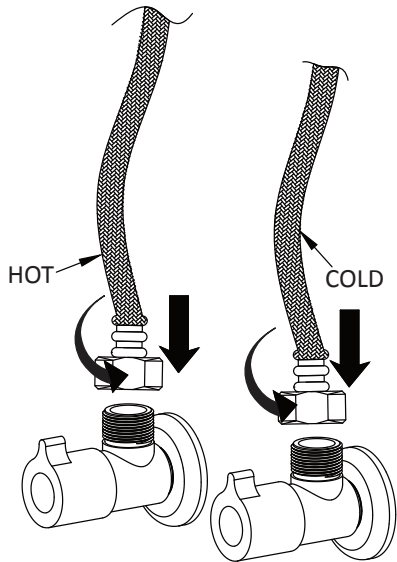
### Step 5

Fit the weight onto the hose using the 2 screws provided. Position the weight about 40mm (1½") above the bottom of the hose (35) loop. This will ensure maximum extension and retract.



### Step 7

Test the tap flow and mix functions, and hose pull-out. If the tap is fitted with dual spray/stream you should also ensure this is working properly. If any grit etc has entered the tap you can easily remove the aerator(1) and clean/reattach.



### Step 6

Flush the wall valves to ensure no grit enters the tap. Now attach the hoses to the wall valves ensuring the hose with RED braid attaches to the hot water outlet.

## Troubleshooting

1. If water is leaking from the connection tube joints (25,26,27) you should retighten the flexible hoses (34) and pull-out hose (36). It is possible that these connections have loosened when the flexible hoses are tightened to the wall valves.
2. If the pull-out hose (36) is catching or not retracting fully, you should ensure that the weight (35) is located just above the bottom of the loop. Also ensure the weight/hose are not catching on items in the cabinet.
3. If the water stream is uneven it is possible that debris or grit has blocked the aerator. You can remove the tip of the spout and backflush the aerator. Firmly retighten the retaining nut.
4. If the tap is loose or rotating at the base as it enters the countertop you should retighten the nut (24) ensuring the handle lever assembly is correctly positioned.
5. If the spout (6) is loose at the connection to the body (12) you may need to gently tighten the small grub screw (11). Do not over tighten the grub screw or the spout will not rotate.