

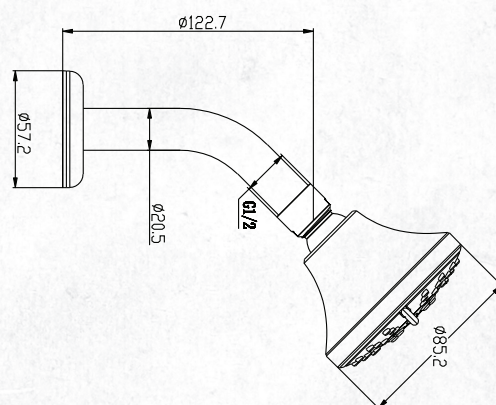
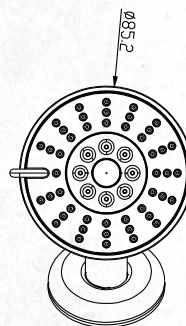
Raymor

DAWSON SHOWERS

Raymor Dawson offers a complete range of showering tapware styles meant to deliver affordable quality and great showering experience. Perfect for either renovation or a completely new bathroom project, Raymor Dawson is solidly built, packed with features, and complemented with contemporary in-trend design.

THREE FUNCTION WALL SHOWER

(7)728411 - Chrome



CLASSIFICATION: Suitable for **Mains Pressure** only

INLET CONNECTIONS: 1/2" BSP

WORKING PRESSURE: 150 - 500kPa

OPERATING TEMPERATURE: 5 °C - 70 °C

- Three function handset (85mm face)
- Easy installation
- Ideal for retrofit
- Low maintenance
- Robust chrome finish
- Mains only



www.mico.co.nz



www.placemakers.co.nz

www.raymor.co.nz
0800 RAYMOR (729 667)