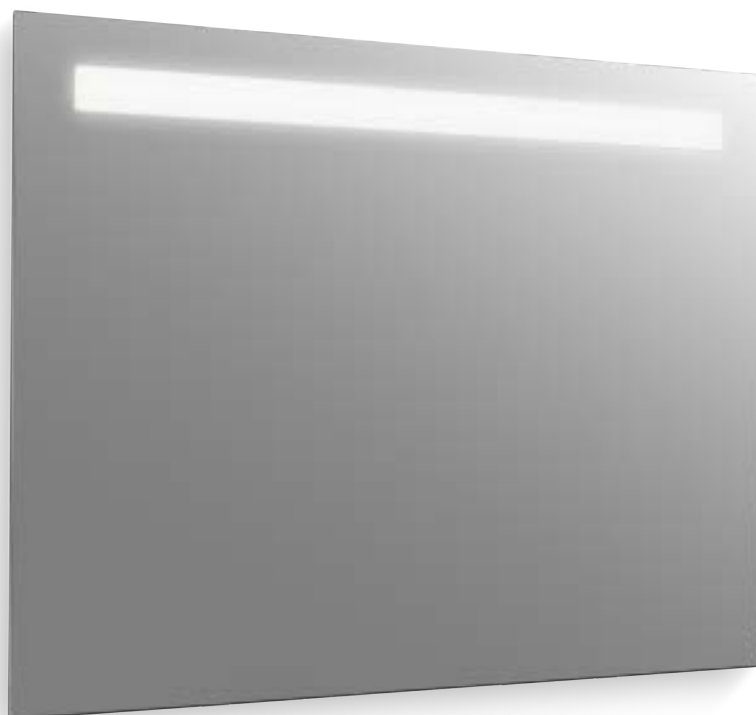


INSTALLATION INSTRUCTIONS



FURNITURE

VALENCIA™ LED Mirrors



WARNINGS:

- ⚠ This installation must comply with the most recent AS/NZS 3000 electrical standards.
- ⚠ The light source of this luminaire is not replaceable; when the light source reaches its end of life the whole luminaire shall be replaced.

NOTES:

1. Fitting instructions are intended to facilitate installation. They are not subject to contract.
2. Since the type of wall determines the fittings necessary for each unit, bolts and screws have not been supplied for hanging the mirror but left to the responsibility of the installer.

BEFORE YOU BEGIN

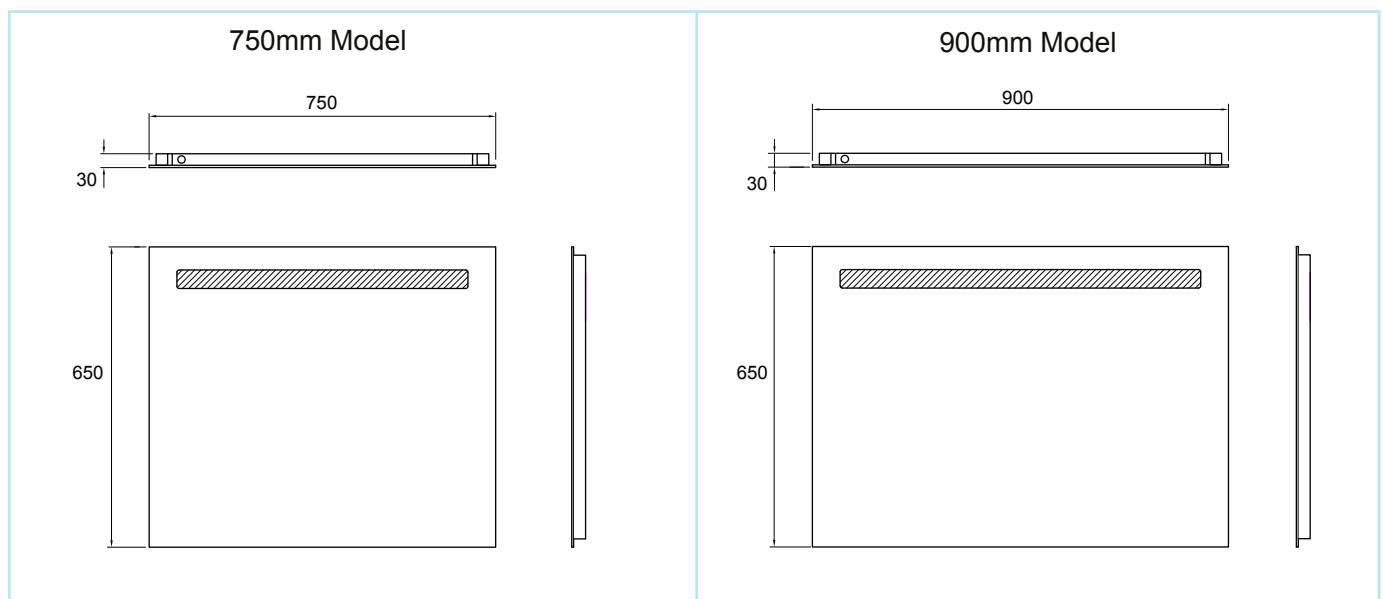
Please read these instructions carefully to familiarise yourself with the required tools, materials, and installation sequences. Follow the sections that pertain to your particular installation. This will help you avoid costly mistakes. In addition to proper installation, read all operating and safety instructions.

Prior to installation, inspect your Valencia LED mirror to ensure that no damage has occurred in transit. If damage has occurred, or a visible defect exists, do not proceed with installation, and advise your supplier immediately.

Instructions, drawings, and diagrams contained in this manual present information available at the time of printing. Although every attempt has been made to keep them up-to-date, Englefield reserves the right to implement product changes without further notice.

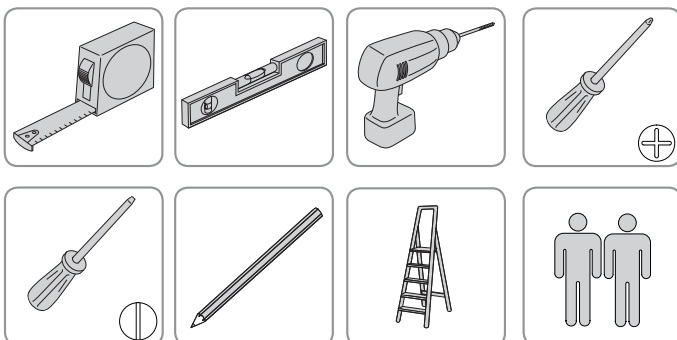
Please leave these instructions for the consumer. They contain important information.

ROUGH-IN

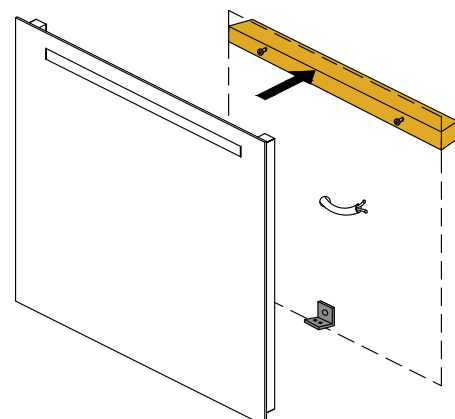


TOOLS & CONSTRUCTION REQUIREMENTS

TOOLS

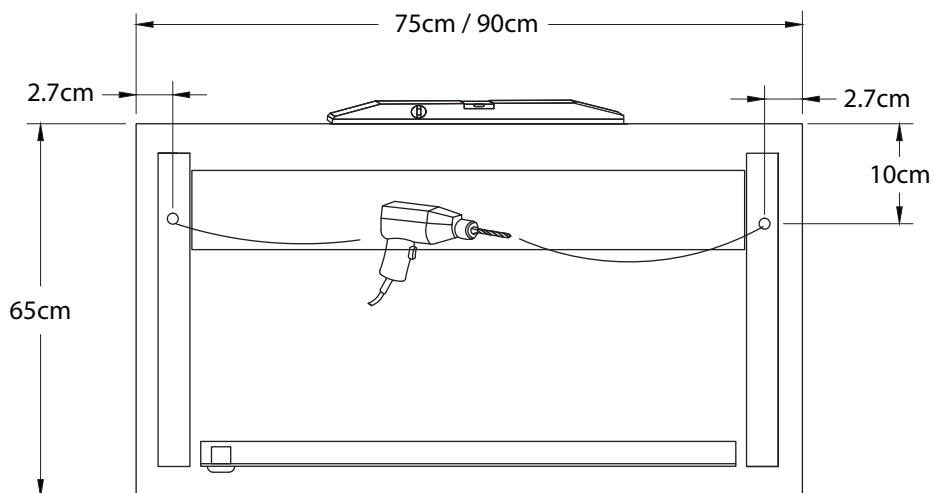


The two top fasteners must be fixed to a nog in the wall.

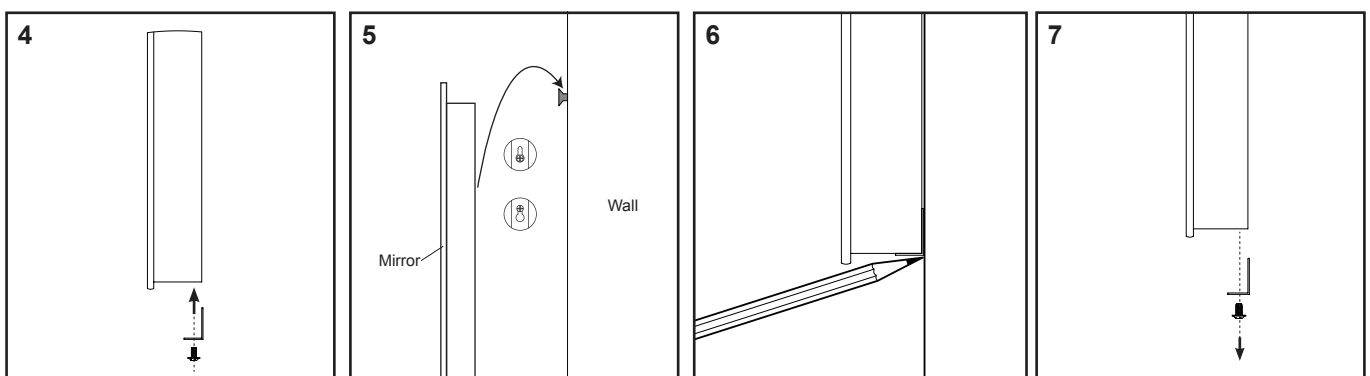


INSTALLATION

1. Select an appropriate location to install the mirror where it can be fastened to a nog, and where wiring can be connected without any slack in the wiring.
2. Use a spirit level and refer to the dimensions below to mark the location of the fixing holes with a sharpened pencil.
3. Pre-drill holes at the marked locations. When drilling holes make sure to do so as accurately as possible. Install appropriate fasteners.



4. Using the two small screws provided, install the bracket onto the bottom of the mirror.
5. Carefully hang the mirror on the cleats and use a spirit level to check that the mirror is level, make adjustments as necessary to the position (This may require two people).
6. Mark the location of the bottom bracket on the wall with a pencil. Lift and remove the mirror from the wall to reveal the pencil mark location of the bracket.
7. Un-install the bracket from the mirror by removing the two small screws previously installed during step 4.



8. Using the larger screw provide, mount the bracket to the wall at the marked pencil location, do not over-tighten. If there is no stud present, use the supplied wall anchor.

9. Electrical hard wiring should be connected by a certified electrician, ensuring compliance with AS/NZS 3000 electrical standards are observed.
10. Lift the mirror and carefully lower it onto the cleats. Using the two small screws provided, align the lower bracket and fasten it to the mirror.

Installation Complete.

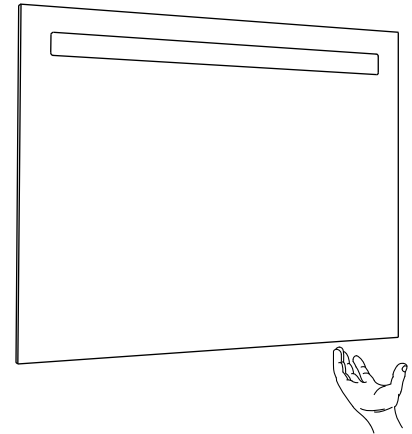
PRODUCT FEATURES

SENSOR SWITCH:

There is a sensor switch located at the bottom right-hand corner of the mirror. To turn the LED light on and off, simply place your hand under the sensor as shown in the image.

DEMISTER:

The built in demister functions when the LED is switched on. To prevent the mirror from fogging up, turn the LED light on before bathing or showering.

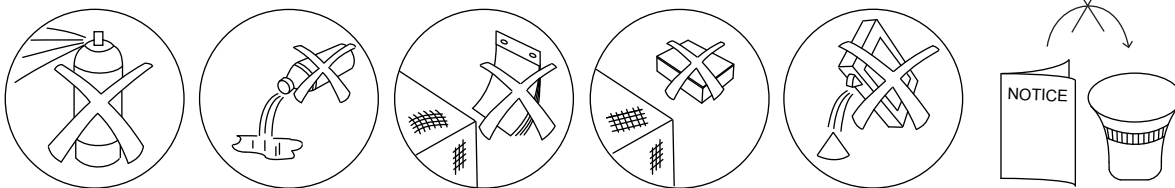


CLEANING AND MAINTENANCE INSTRUCTIONS

It is recommended that all moisture be removed with a soft cloth after each use.

To clean the mirror surface use a soft cloth with warm water and methylated spirits. Apply the cleaning solution to the cloth. Make sure all edges are thoroughly dry after cleaning. Cleaners should not be applied directly to the mirror surface as it could come into contact with the back of the mirror causing damage.

Do not use abrasive cleaners that could scratch the mirror. Acidic, alkali or extra strength ammonia cleaners should be avoided as these can damage the copper coating and destroy the mirror.



CONTACT AND WARRANTY INFORMATION

NEW ZEALAND
KOHLER NZ LTD

Free Ph: 0800 100 382
Free Fax: 0800 664 488
www.Englefield.co.nz

AUSTRALIA
KOHLER AU

Free Ph: 1 800 228 476
www.Englefield.com

For warranty information, please visit our website

