

Filter Stop & Non-Return (3 in 1) 15/20mm

APPLICATION

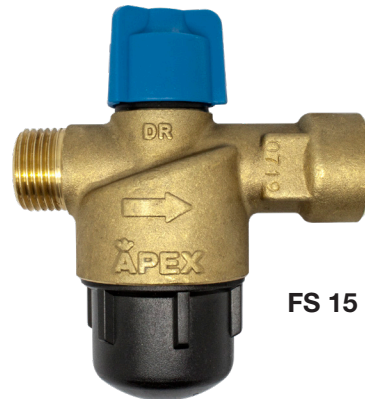
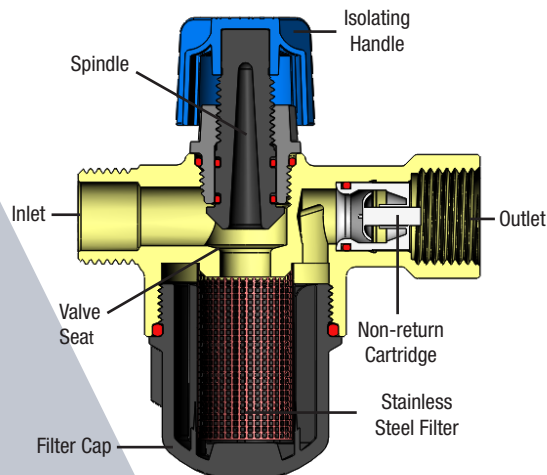
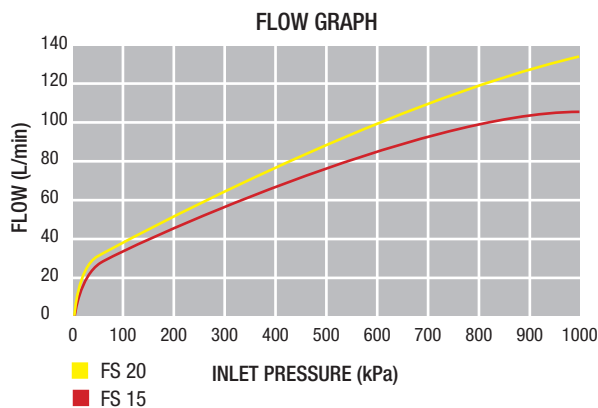
Any application where filter, non-return and isolating valve is required in low and high (mains) pressure systems

FEATURES/BENEFITS

- Compact 3in1 valve - filter; isolation and non-return with high flow rates
- No tools are required to service the valve, all servicing done with supply on
- Forged, high quality, corrosion resistant DR brass body
- Machined, assembled and 100% tested in NZ

SPECIFICATIONS

- FS15 Inlet: 15mm, ½" BSP (male)
Outlet: 15mm, ½" BSP (female)
Length: 86mm
- FS20 Inlet: 20mm, ¾" BSP (male)
Outlet: 20mm, ¾" BSP (male)
Length: 88mm
- 60 mesh (250 micron), stainless steel filter
- Maximum inlet pressure and temperature
Plastic Cap: 1000 kPa and 40°C
Brass Cap: FSBC15, 2000 kPa and 65°C
Brass Cap: FSBC20, 2000 kPa and 99°C



FS 15



FS 20

INSTALLATION

- Refer page 31 for installation guide
- Can be installed in any orientation but is best with filter cap down for ease of cleaning
- Do NOT install in the ground
- Do NOT apply heat near the valve during installation

SERVICING

1. Turn handle clockwise to close valve
2. Remove filter bowl, by hand
3. Remove and clean filter
4. Refit filter, filter cap (hand tighten only) and turn on fully

STANDARDS

- Complies with NZ Building Code G12 (2014)
- Complies with NZS 4608:1992
- NZ Patent No. 230940, Aust Patent No. 625338

PRODUCT CODES

FS15	15mm
FS20	20mm
FSBC15	15mm Brass Cap
FSBC20	20mm Brass Cap - Hot water Valve