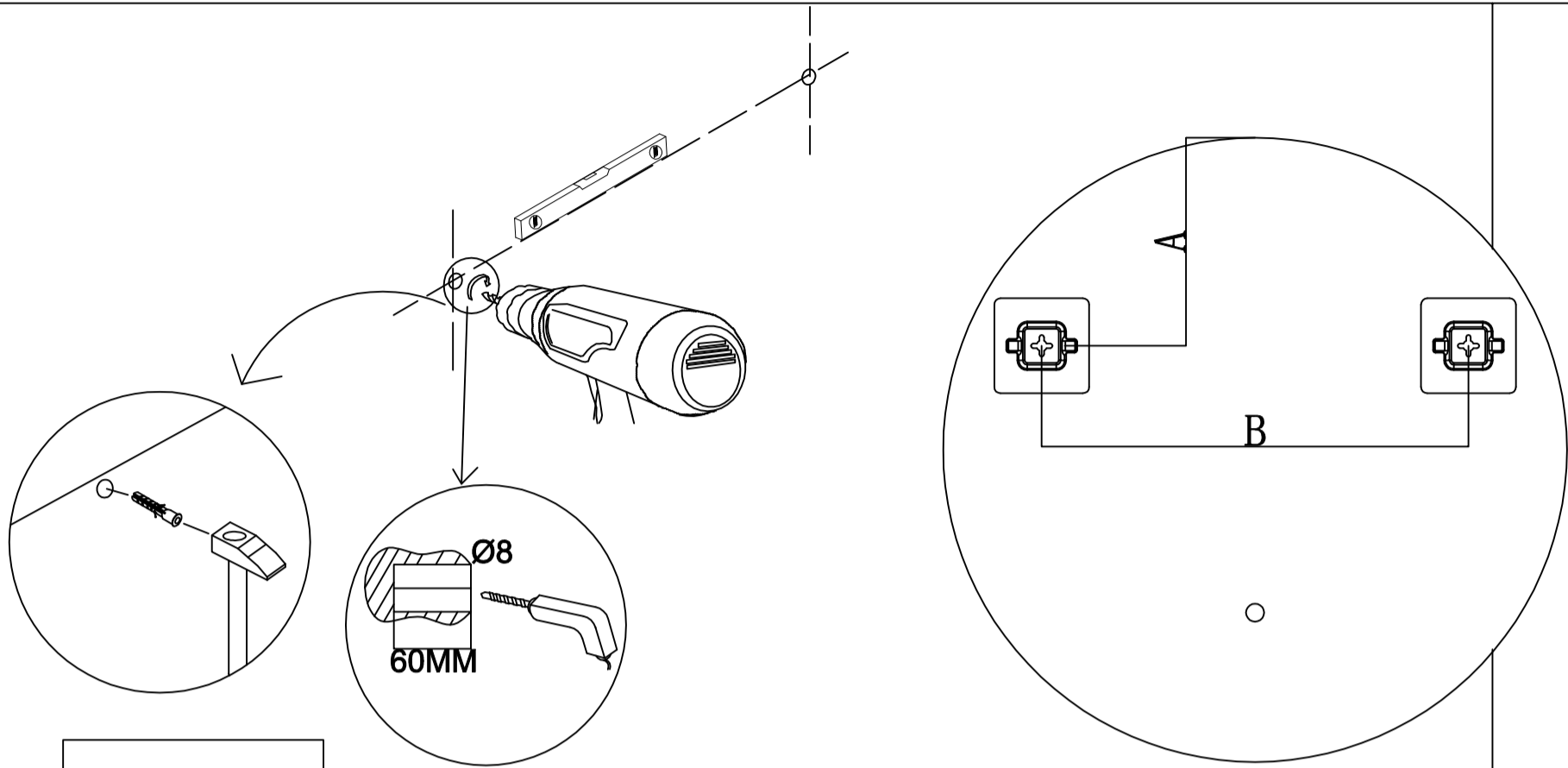
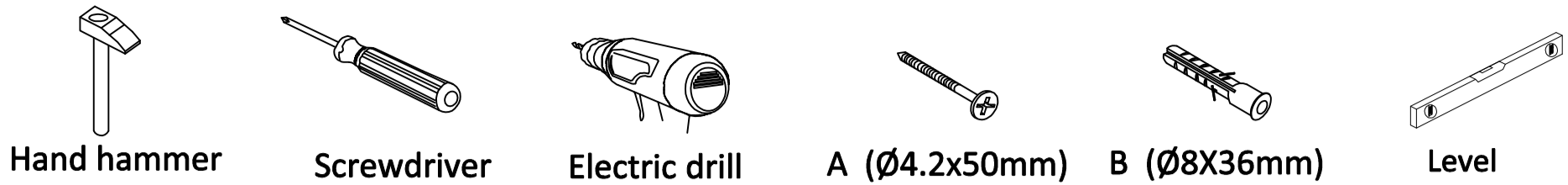


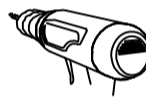

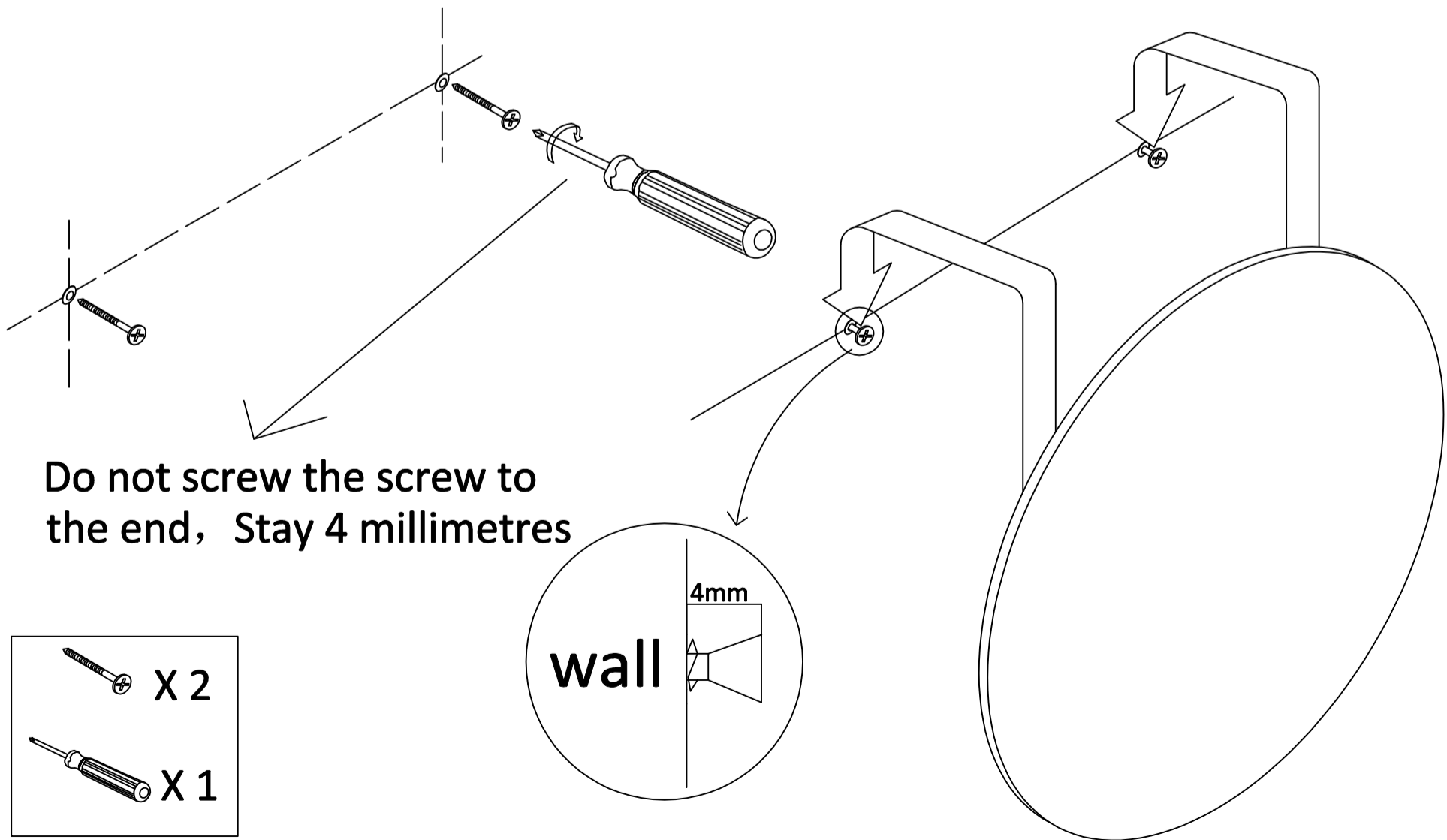
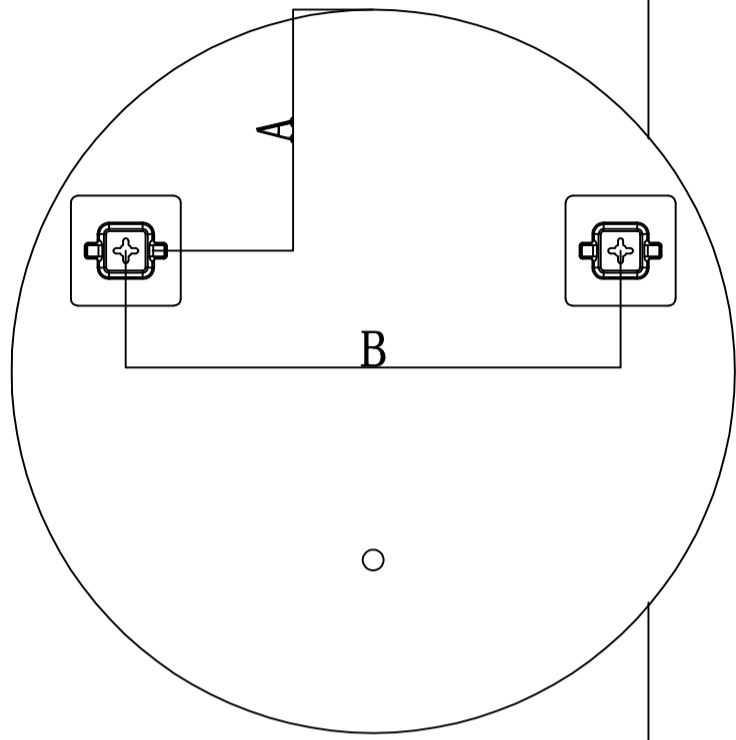


Needed tools


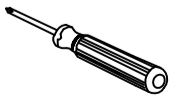


-  X 1
-  X 1
-  X 1
-  X 2

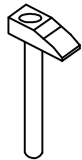
Mirror	A	B
∅590	180	244
∅690	230	472



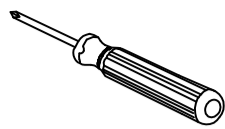
Do not screw the screw to the end, Stay 4 millimetres

-  X 2
-  X 1

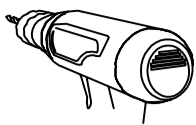
Needed tools



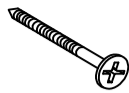
Hand hammer



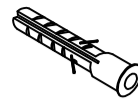
Screwdriver



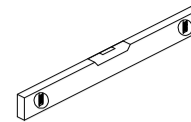
Electric drill



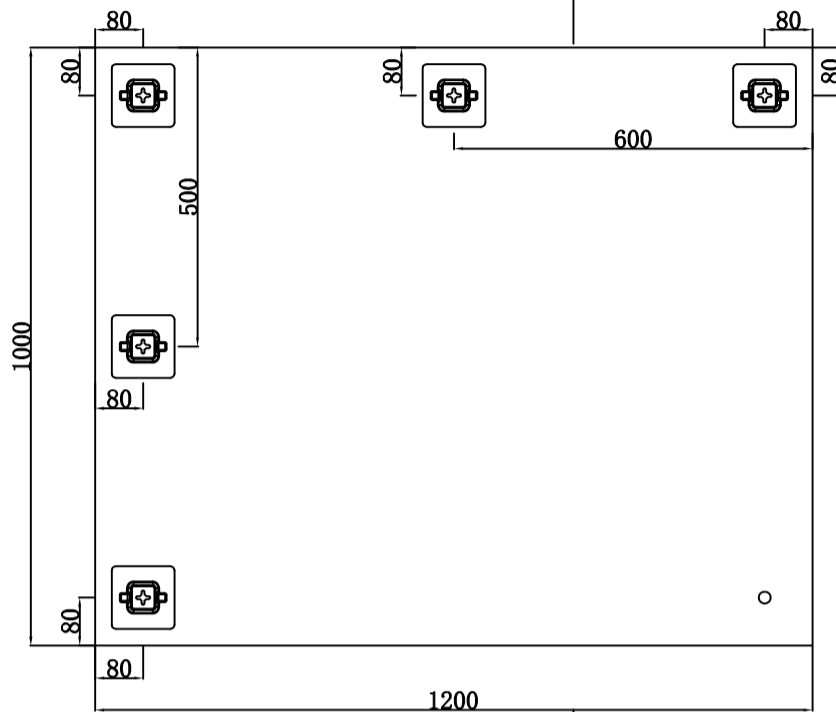
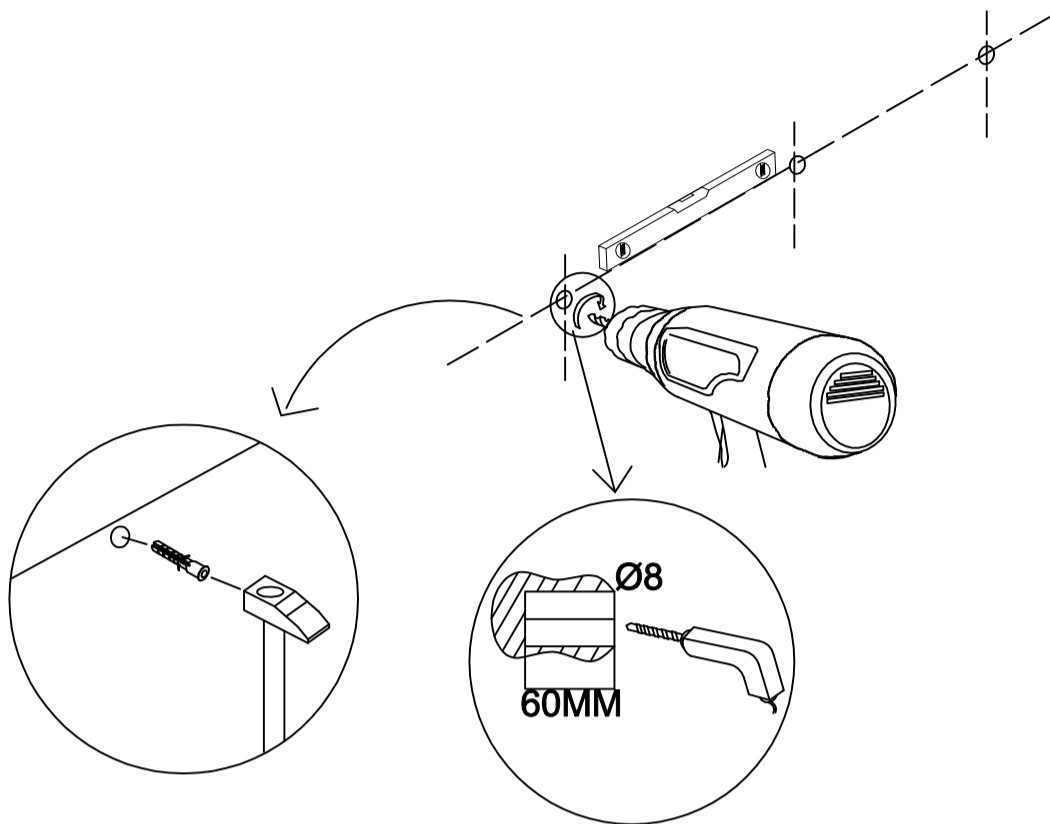
A (Ø4.2x50mm)



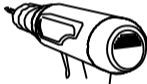



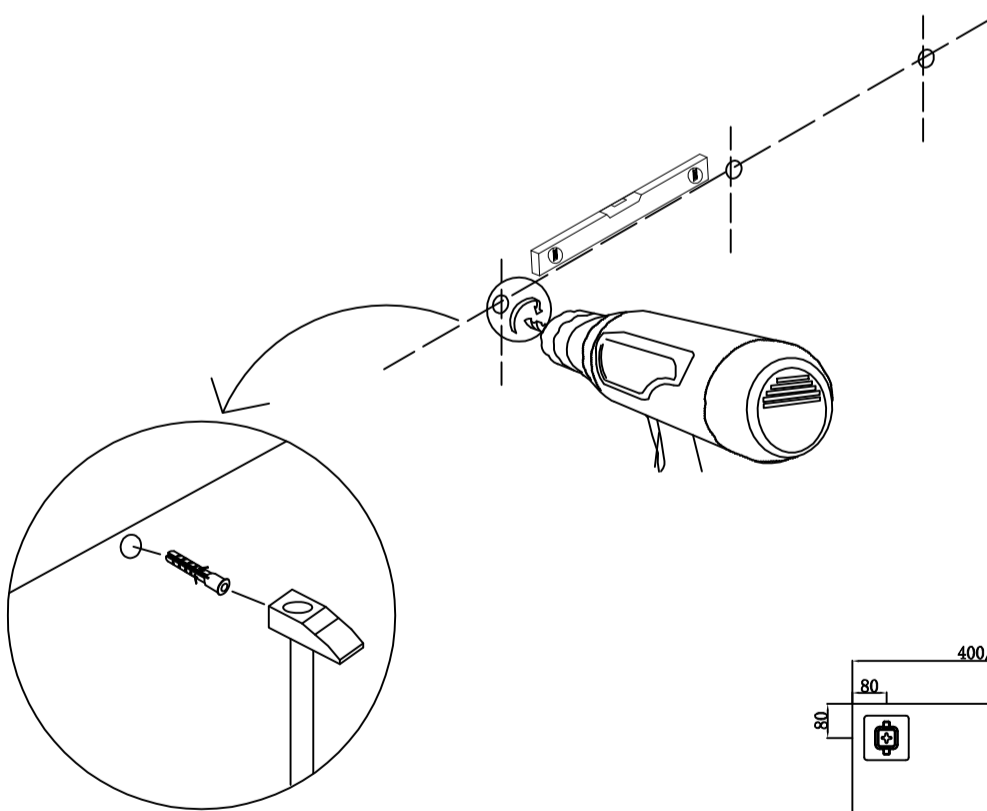
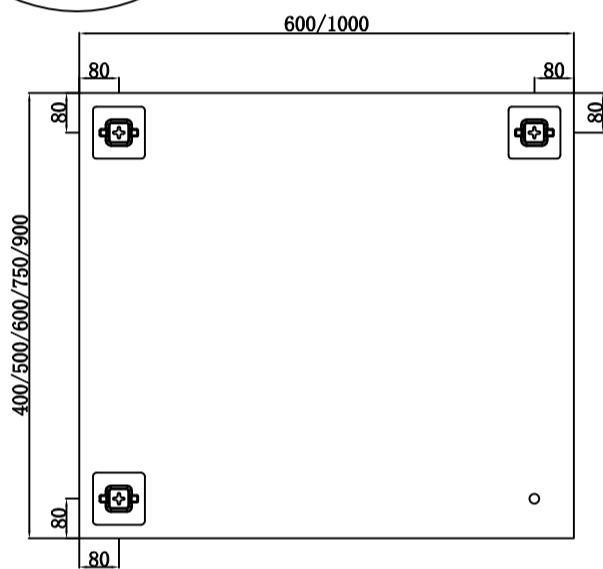
B (Ø8x36mm)


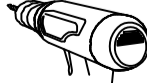



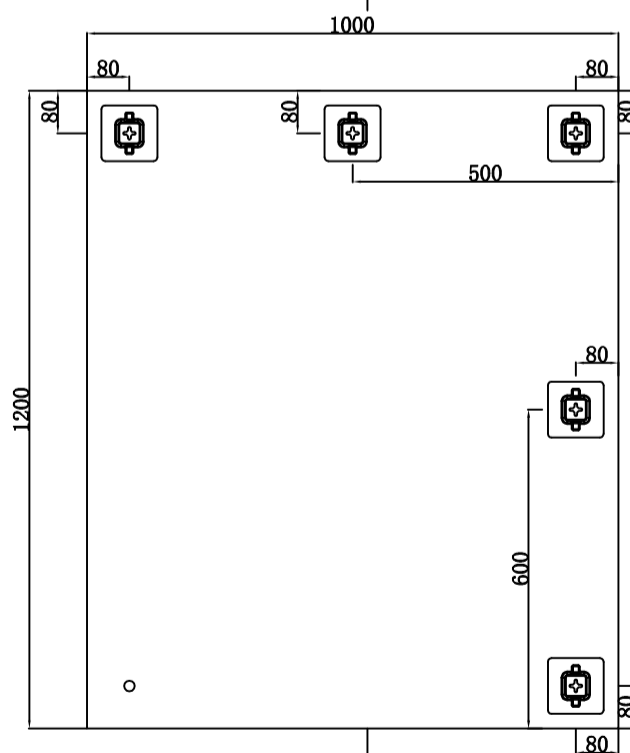
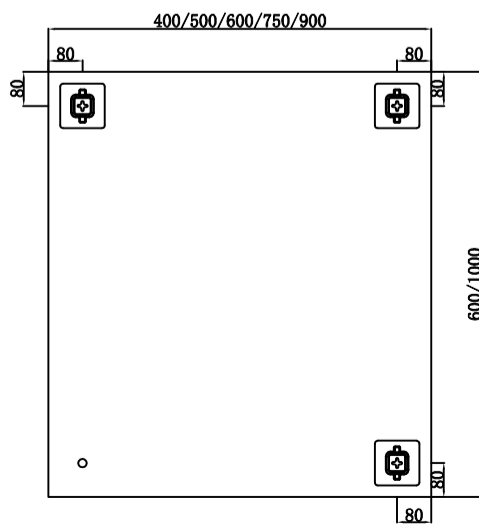
Level

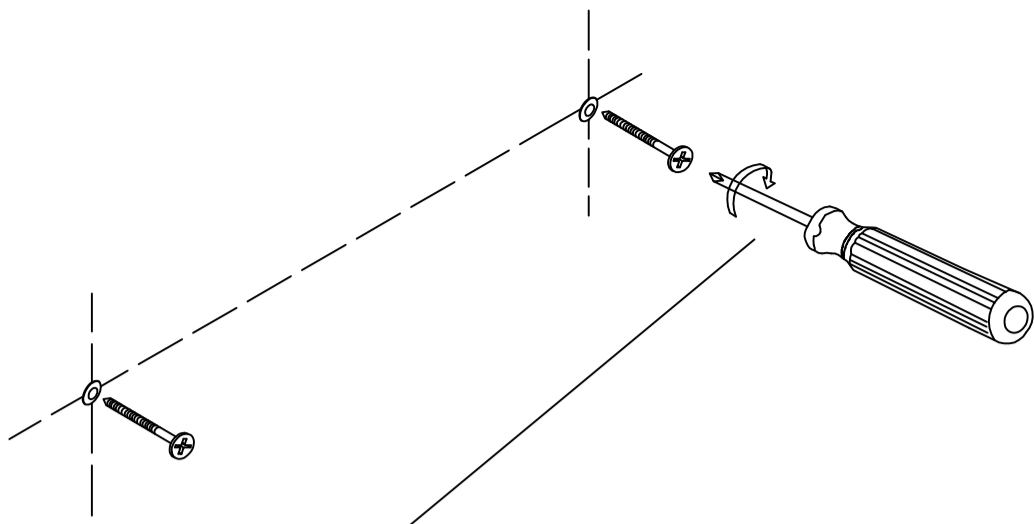


-  X 1
-  X 1
-  X 1
-  X 2



-  X 1
-  X 1
-  X 2





Do not screw the screw to the end, Stay 4 millimetres

