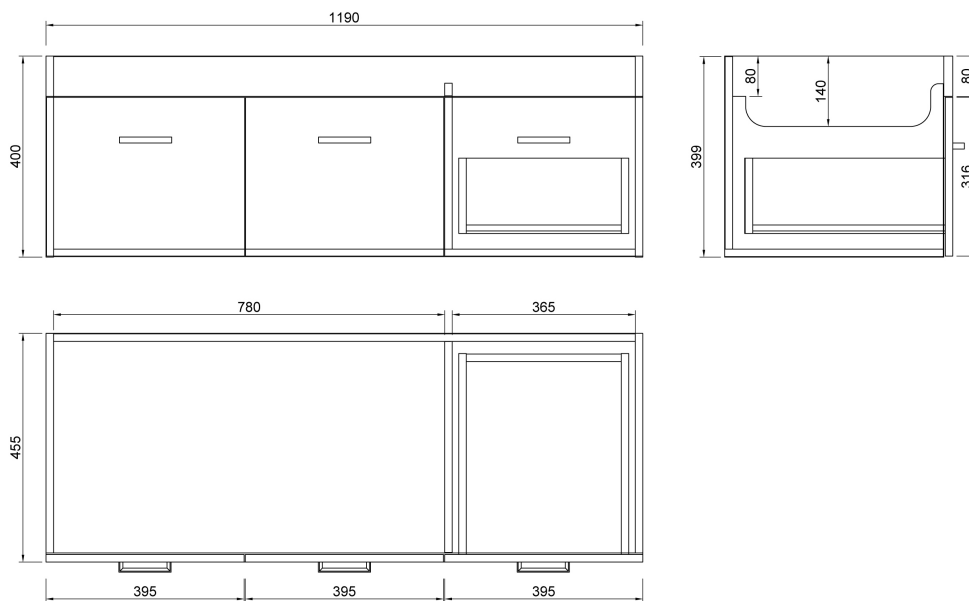
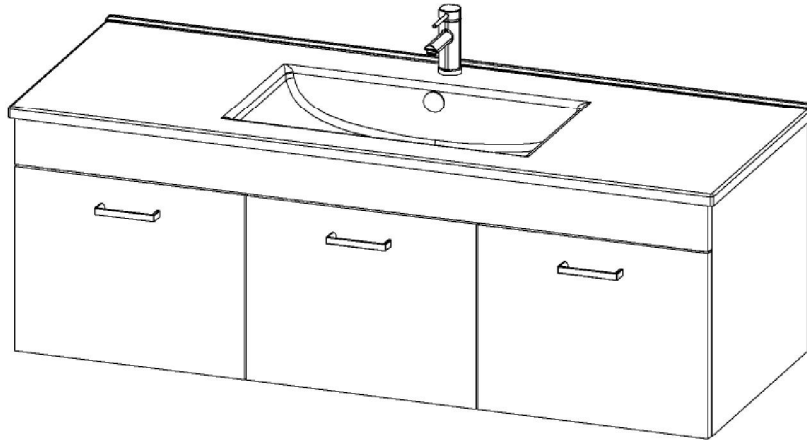


SPECIFICATION SHEET

## Qube 1200 Wall Hung Vanity

(see page 2 for the basin)



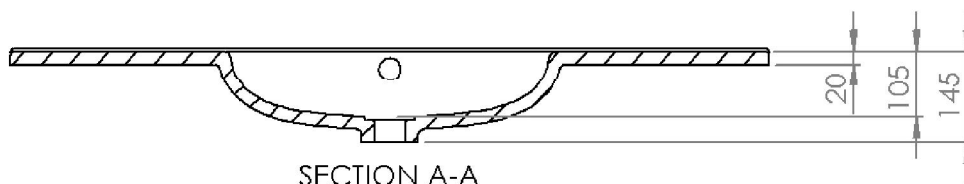
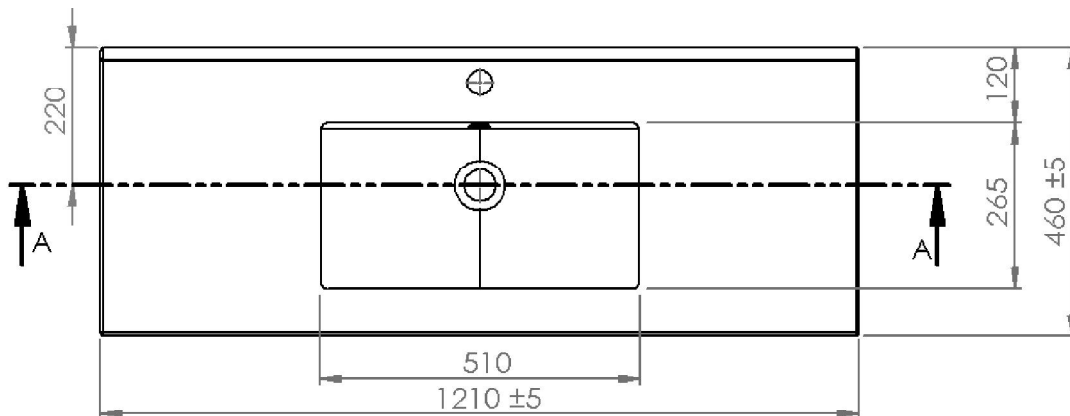
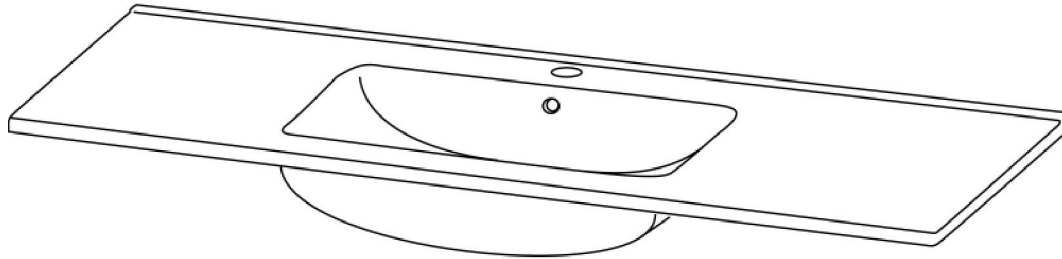
Product: Qube 1200 Wall Hung Vanity  
 Vanity Size: H420 X W1200 X D460  
 Cabinet Size: H400 X W1190 X D455  
 Material: Moisture resistant MRF  
 Colour / Code:



\*Disclaimer: Measurements are nominal. Tapware & Wastes are for display only.  
 Actual product colours may vary from colours shown on different monitor.

SPECIFICATION SHEET

## Standard 1200 Single Basin



Product:	Standard 1200 Single Basin
Code:	4230
Basin Size:	W1210 (±5) X D465 (±5)
Material:	Vitreous China

\*Disclaimer: Measurements are nominal. Tapware & Wastes are for display only.

© 2016 Newtech. All rights reserved.