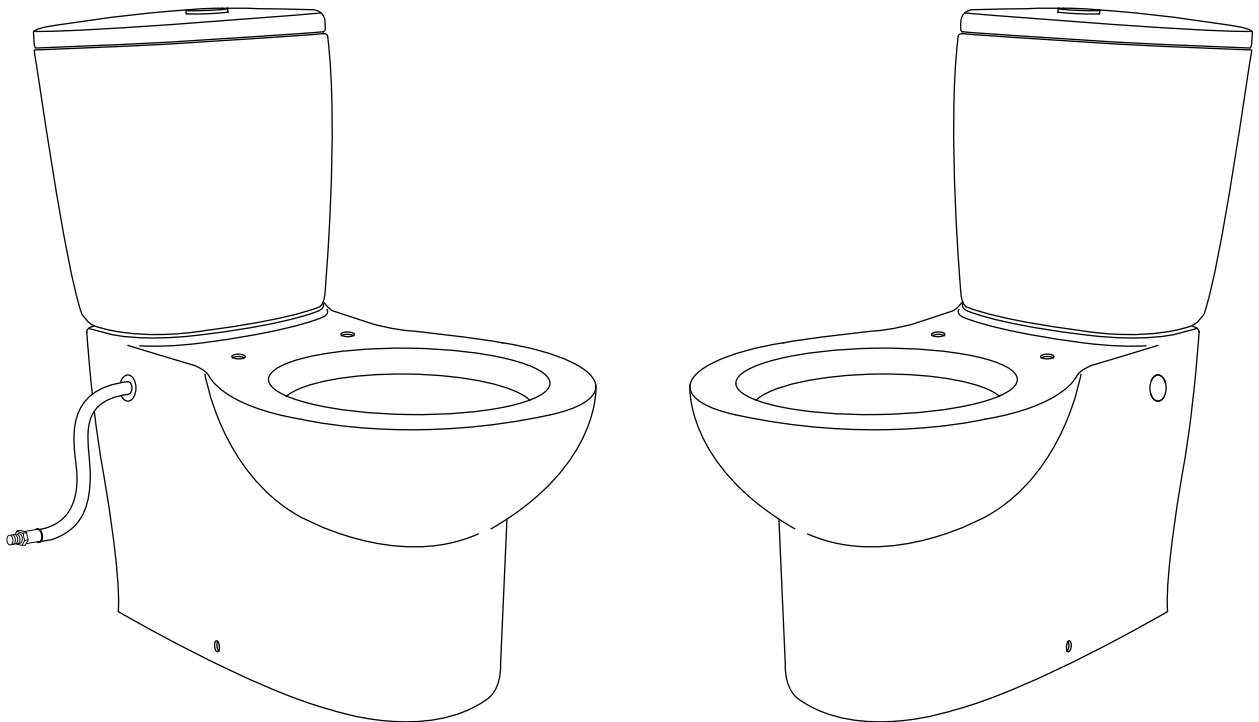


Installation & User Guide

Close Coupled Toilets Top Rear & Side Entry



NOTE: If your new toilet pan has no Side Entry holes, please ignore this installation guide and refer to document # 1102602-A2.

KOHLER®

Thank You For Choosing Kohler Company

We appreciate your commitment to Kohler quality. Please take a few minutes to review this manual before you start installation. If you encounter any installation or performance problems, please don't hesitate to contact us. Our phone numbers are listed on the back cover. Thanks again for choosing Kohler Company.

Before You Begin

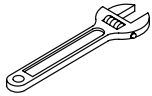


CAUTION: Risk of personal injury or product damage. Handle with care. Vitreous china can break or chip if the product is handled carelessly.

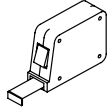
- Observe all local plumbing and building codes. Installation shall be in accordance with AS/NZS 3500 and AS/NZS 6400.
- Carefully inspect the new toilet for damage.
- If the existing toilet does not have a supply shut-off valve below the cistern, install one before installing the new toilet.
- Install sufficient backing behind the finished wall to provide a secure material for the anchoring devices.
- Water supply hose not supplied. Your plumber can provide a suitable hose of sufficient length from the shut-off valve to the tank inlet.

WARNING: Ensure that no part of the cistern inlet hose is submerged in water.

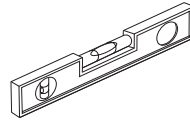
Tools And Materials Required



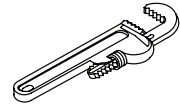
Adjustable Spanner



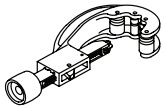
Tape Measure



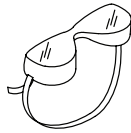
Level



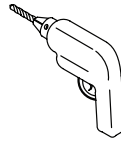
Pipe Wrench



Tube Cutter



Safety Glasses



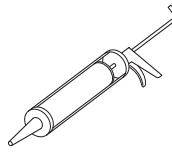
Drill & Bits



Sponge



Screwdriver

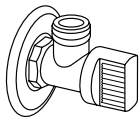


Caulking Gun

Plus:

- Adjustable Pliers
- Metal File
- 1/2" Socket
- Hacksaw
- Silicone Sealant
- Pencil

Parts Identification



Shut-off Valve
(not supplied)



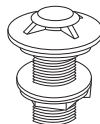
Side Entry Capping Plug



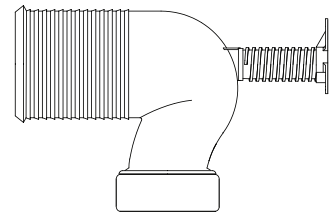
Side Entry Hose Plug



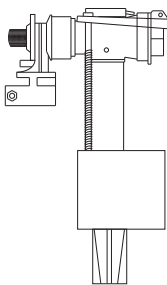
300mm hose for
Top/Rear install
(supplied with cistern)



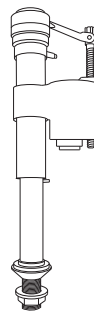
Cistern Bung
(supplied with cistern)



Vario Connector
(supplied)



Side Inlet Valve
(for Top Rear Entry.
Supplied with cistern)



Bottom Inlet Valve
(supplied with
side-entry pan)

Plus:

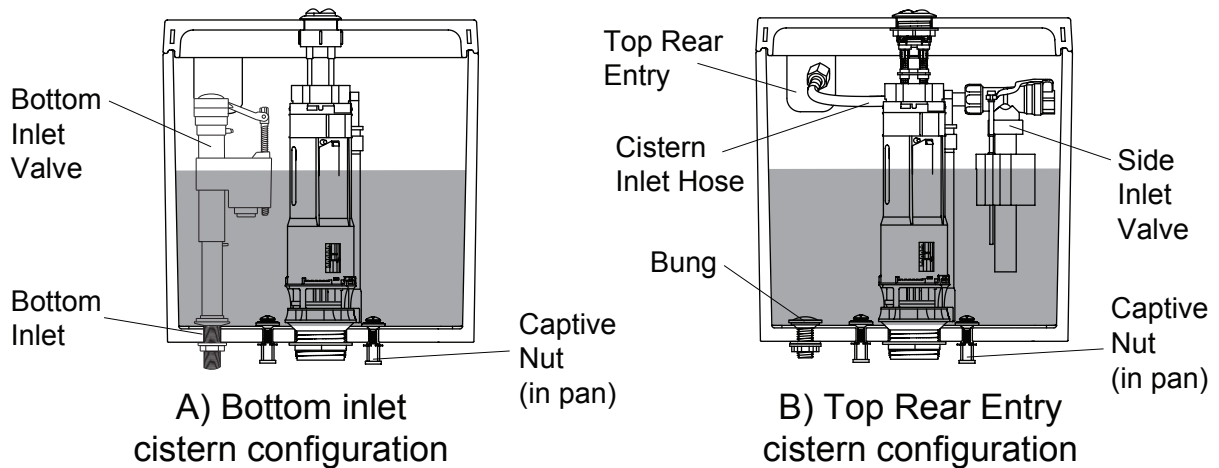
- Pan Fixing Kit
(supplied)
- Water Supply Hose
(not supplied)

Preparing to Install

- 1 Remove the existing toilet: Turn off the water supply and flush the toilet, then sponge out all remaining water from the cistern. Disconnect the supply hose from the shut-off valve and remove the old pan and cistern.
CAUTION: Risk of hazardous gases. Temporarily stuff a rag in the closet flange. Ensure this is removed before installing the new toilet.

- 2 Identify the type of toilet installation:

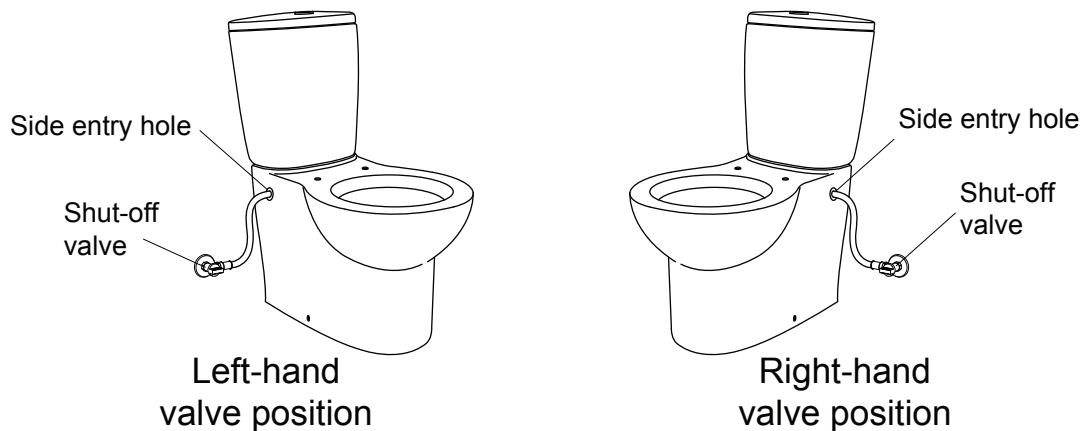
A) Side Entry with Bottom Inlet or B) Top Rear Entry with Side Inlet Valve.
For Side Entry toilets, the bottom inlet valve is supplied with the pan.



WARNING: Ensure that no part of the cistern inlet hose is submerged in water.

For Top Rear Entry installations, skip to Pan Installation on page 6.
For Side Entry/Bottom Inlet installations, proceed with instructions, below.

- 3 For Side Entry/Bottom Inlet installations, check the shut-off valve position.



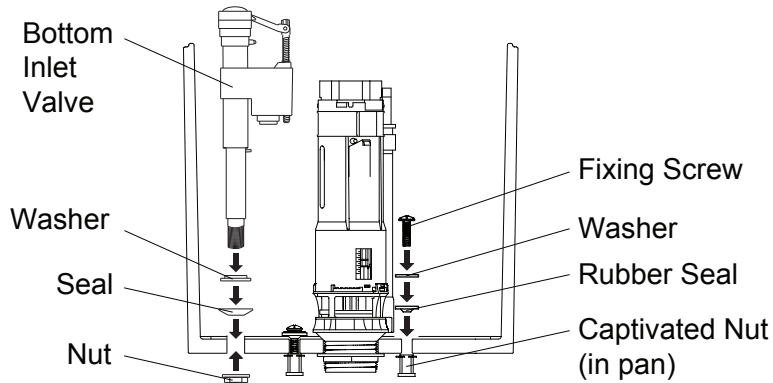
NOTE: For shut-off valves positioned on the right-hand side, a longer water supply hose may be required (not supplied).

Cistern Installation - Bottom Inlet

Skip this page if installing a Top Rear Entry cistern configuration.

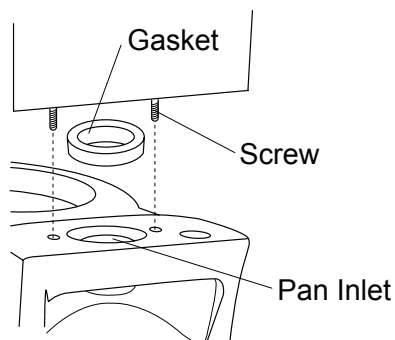
1 Remove the Side Inlet valve and 300mm hose.

2 Install the Bottom Inlet valve to the cistern. Discard the bung. Place the washers over the fixing screws and locate in cistern fixing holes.

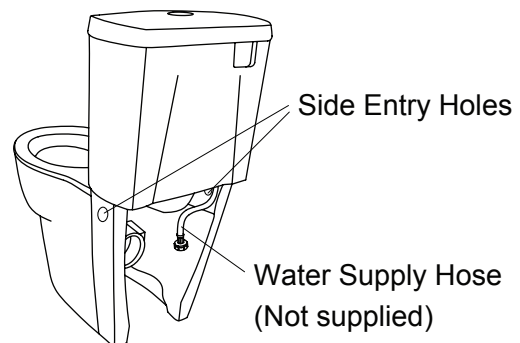


NOTE:
Bottom Inlet Valve has been preset to deliver a full flush volume of 4.5L.

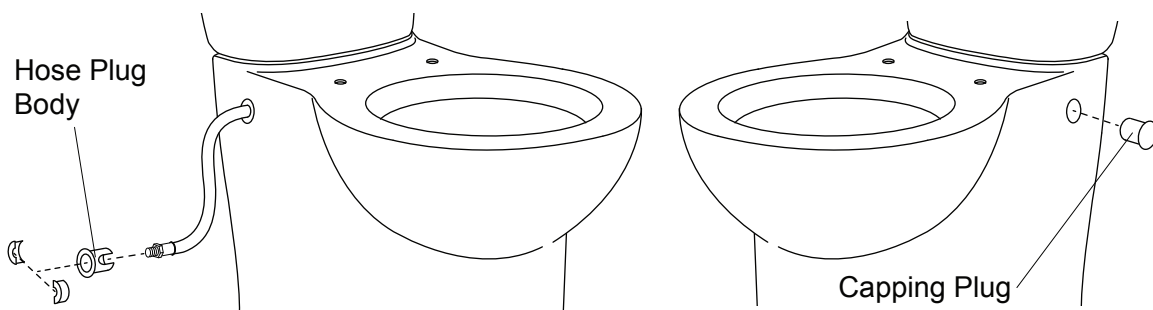
3 Position the cistern on the pan by centering the gasket on the pan inlet. Securely tighten the screws so the cistern is level.



4 Connect the supply hose to the cistern inlet and feed the hose through the appropriate side hole in the pan.



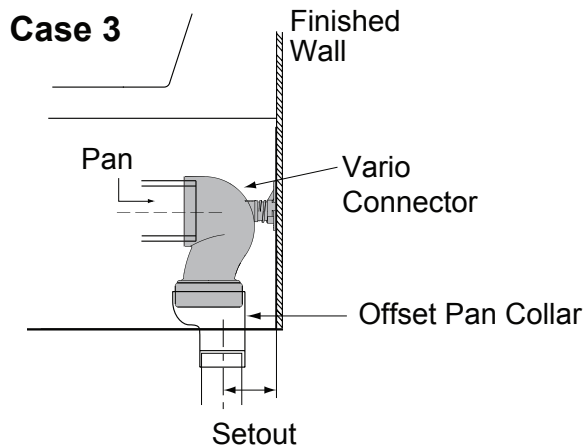
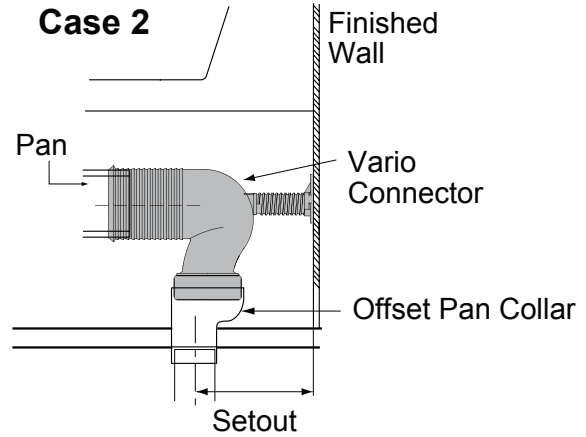
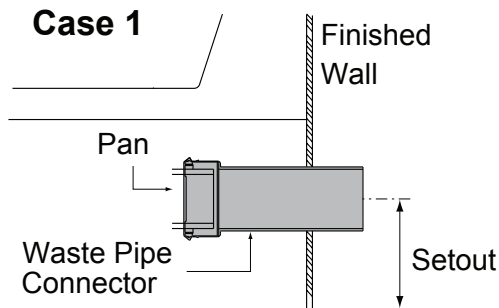
5 Install the side inlet plugs. Slide the hose plug body over the loose end of the hose, assemble the two halves and press the components into side-entry hole in the pan. Insert a capping plug into the other hole.



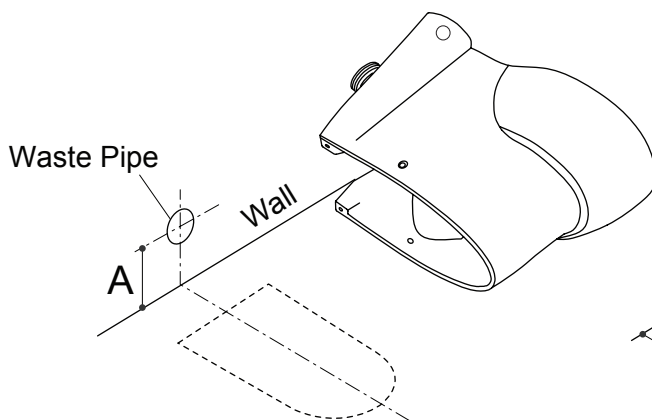
6 Connect the supply hose to the shut-off valve to test the system for leaks. Shut off the water supply and disconnect the hose.

Pan Installation

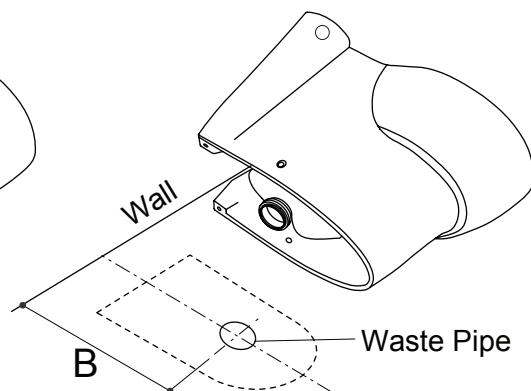
- 1 Define the position of the connector: Place the connector onto the pan, and position the connector between the outlet and waste pipe. Installation instructions are supplied with each respective pan connector.



- 2 Using the template, mark the positions of the floor fixing kit holes.

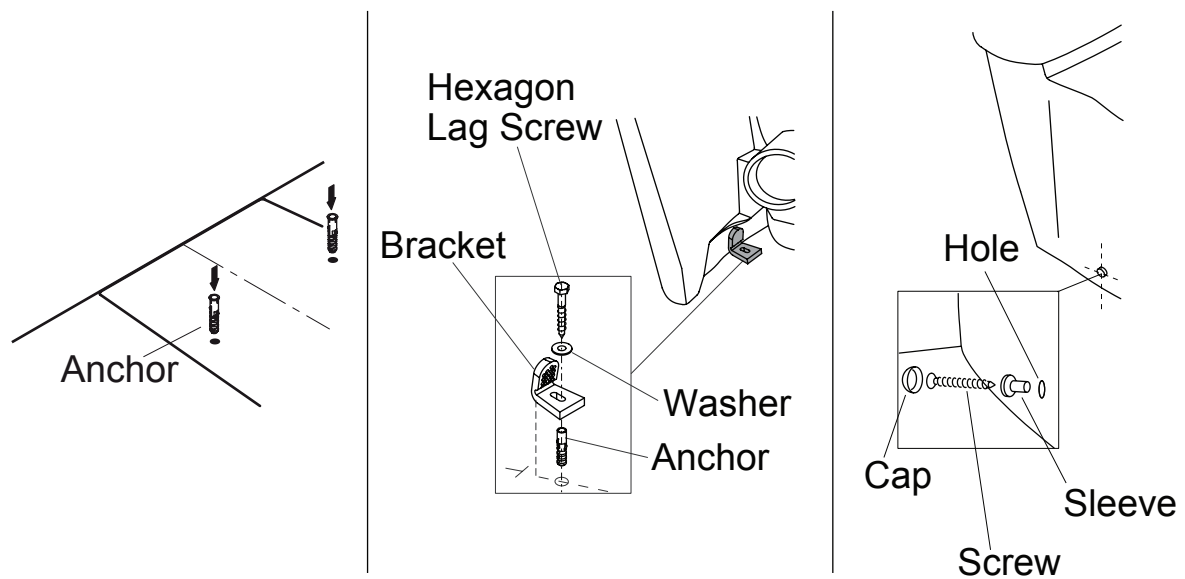


Connector to Wall



Connector to Floor

- 3 Drill fixing holes at the marked locations on the floor and insert the anchors where required.



- 4 Place a washer onto each of the hexagon screws and fix the brackets to the floor.

- 5 Position the toilet in the marked location, while ensuring an effective connection is made with the pan connector.

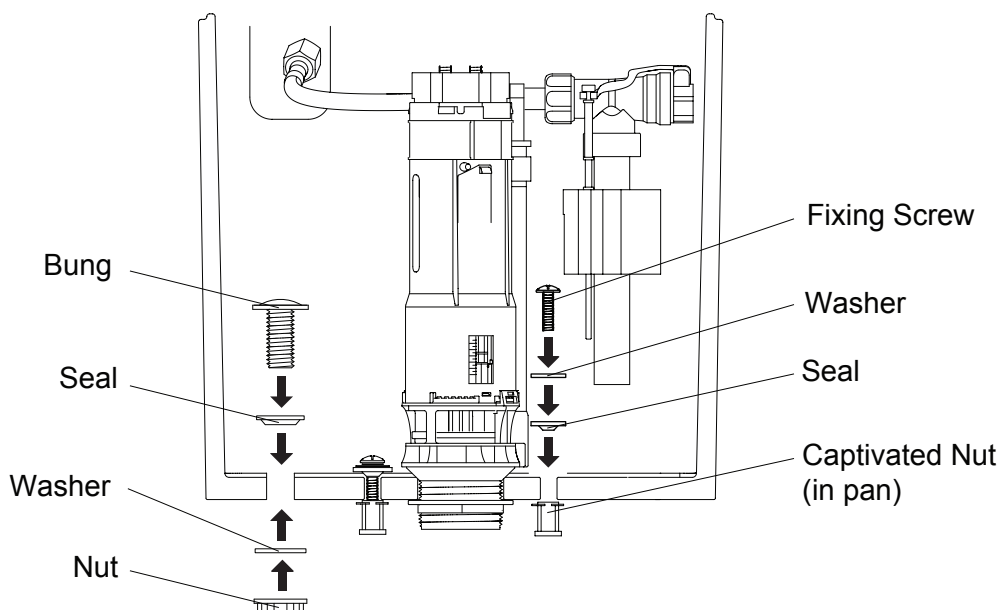
- 6 Install the plastic screw sleeves and use the screws to fix the toilet to the brackets. Attached the chromed caps to the screw heads.

For Side Entry/Bottom inlet installations, skip to Push Button Installation on page 9.
For Top Rear entry installations, proceed to Cistern Installation on page 8.

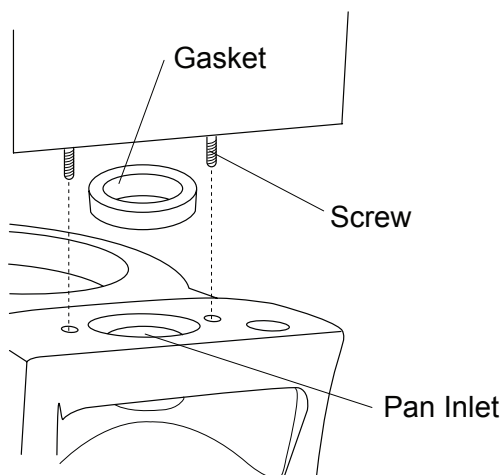
Cistern Installation - Top Rear Entry

Skip this page if installing a bottom inlet cistern configuration.

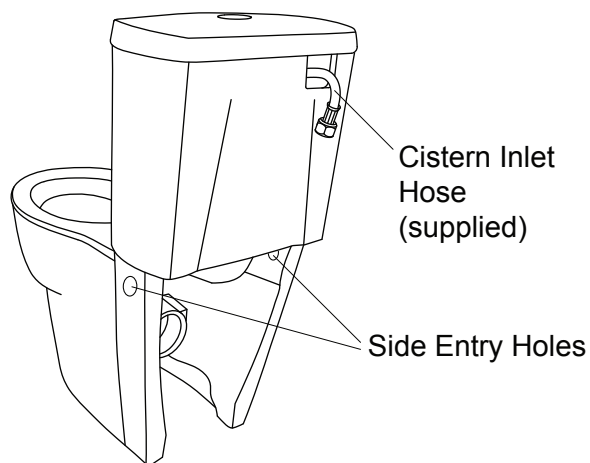
- 1 Securely install the bung into the bottom inlet of the cistern. Place the washers over the fixing screws and locate in cistern fixing holes.



- 2 Position the cistern on the pan by centering the gasket on the pan inlet. Securely tighten the screws so the cistern is level.



- 3 Connect the supply hose to the cistern inlet and connect the hose to the water supply shut-off valve.

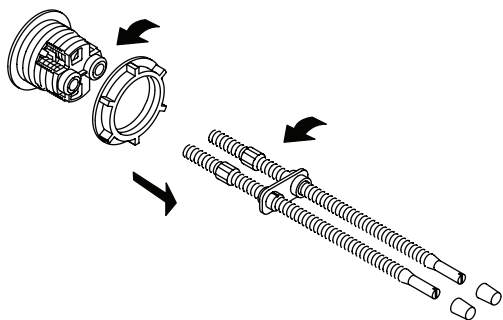


- 4 Insert capping plugs into the side entry holes in the pan.

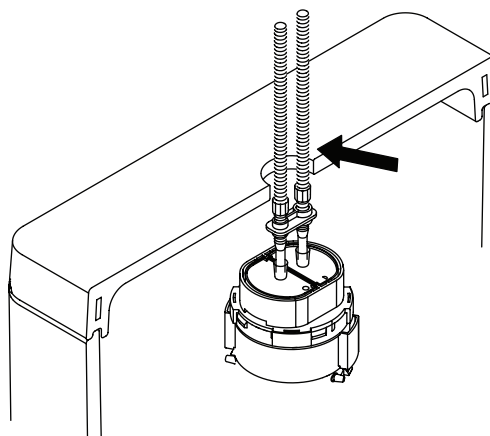
- 5 Connect the supply hose to the shut-off valve to test the system for leaks. Shut off the water supply and disconnect the hose.

Push Button Installation

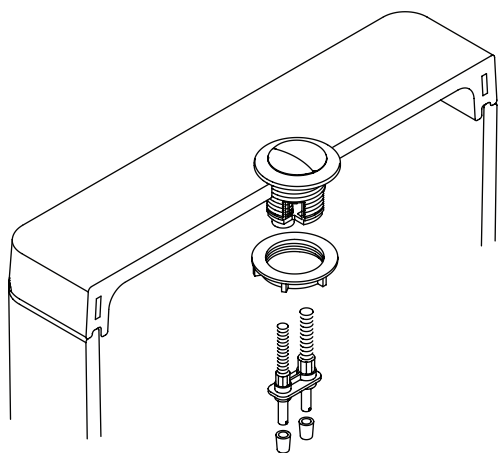
1 Disassemble the push rods.



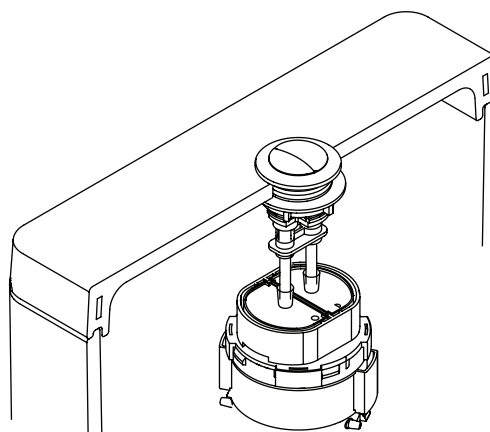
2 Using the push rod, measure the distance between the flush valve and the top of the cistern lid. Mark this length and cut the push rod to length.



3 Reassemble the push rods.



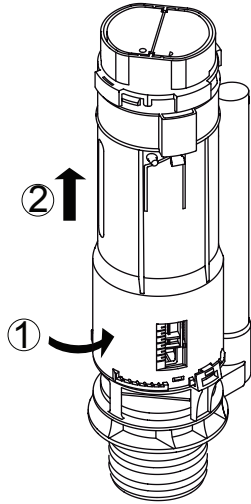
4 Fit the lid and test the buttons. Adjust the rods as required.



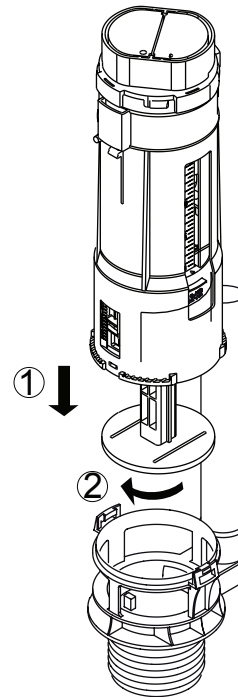
Flush Valve Removal and Installation

Flush Valve A

1 Release flush valve by turning anti-clockwise and pulling straight up on the canister.

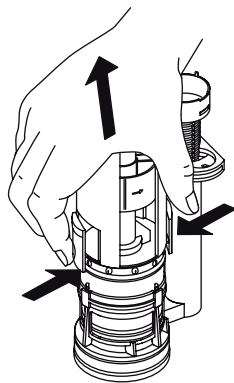


2 Assemble flush valve by pushing straight down into the canister and turning clockwise.

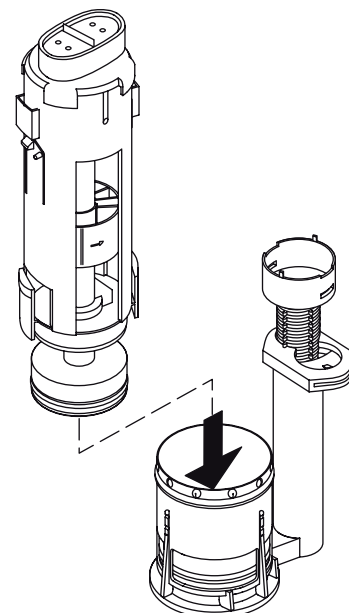


Flush Valve B

1 Release flush valve by squeeze the tabs on both sides of the canister and pulling straight up out of the flush valve.

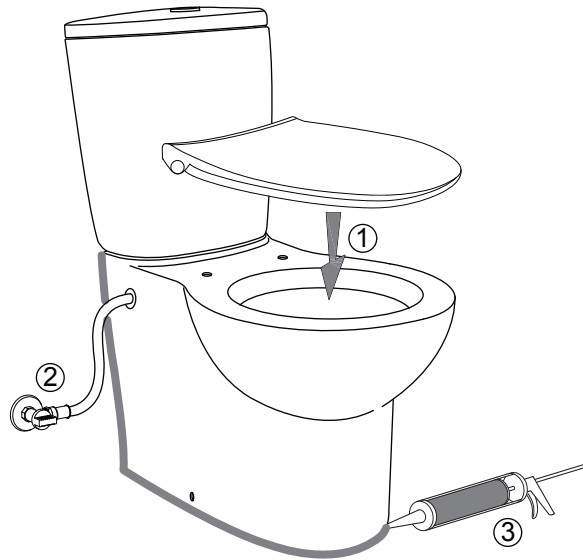


2 Assemble flush valve by pressing it into the flush valve so it snaps into place.



Finalising Installation

- 1 Install the seat as per the supplied seat instructions.



- 2 Make final connection of water supply hose to shut-off valve. Test the system for leaks.

- 3 Apply a suitable sealant between the pan and adjacent surfaces.

Your toilet suite is now installed.

Please refer to the Homeowner's Guide for care & cleaning instructions.

CONTACT AND WARRANTY INFORMATION

For warranty information, please visit our website

Australia

www.au.kohler.com

New Zealand

www.kohler.co.nz

KOHLER®

CALL US FOR HELP

NEW ZEALAND
KOHLER NZ LTD

Free Ph: 0800 564 537 (0800 KOHLER)
Free Fax: 0800 664 488
www.kohler.co.nz

AUSTRALIA
KOHLER CO.

Free Ph: 1 800 KOHLER
(1 800 564 537)
www.au.kohler.com