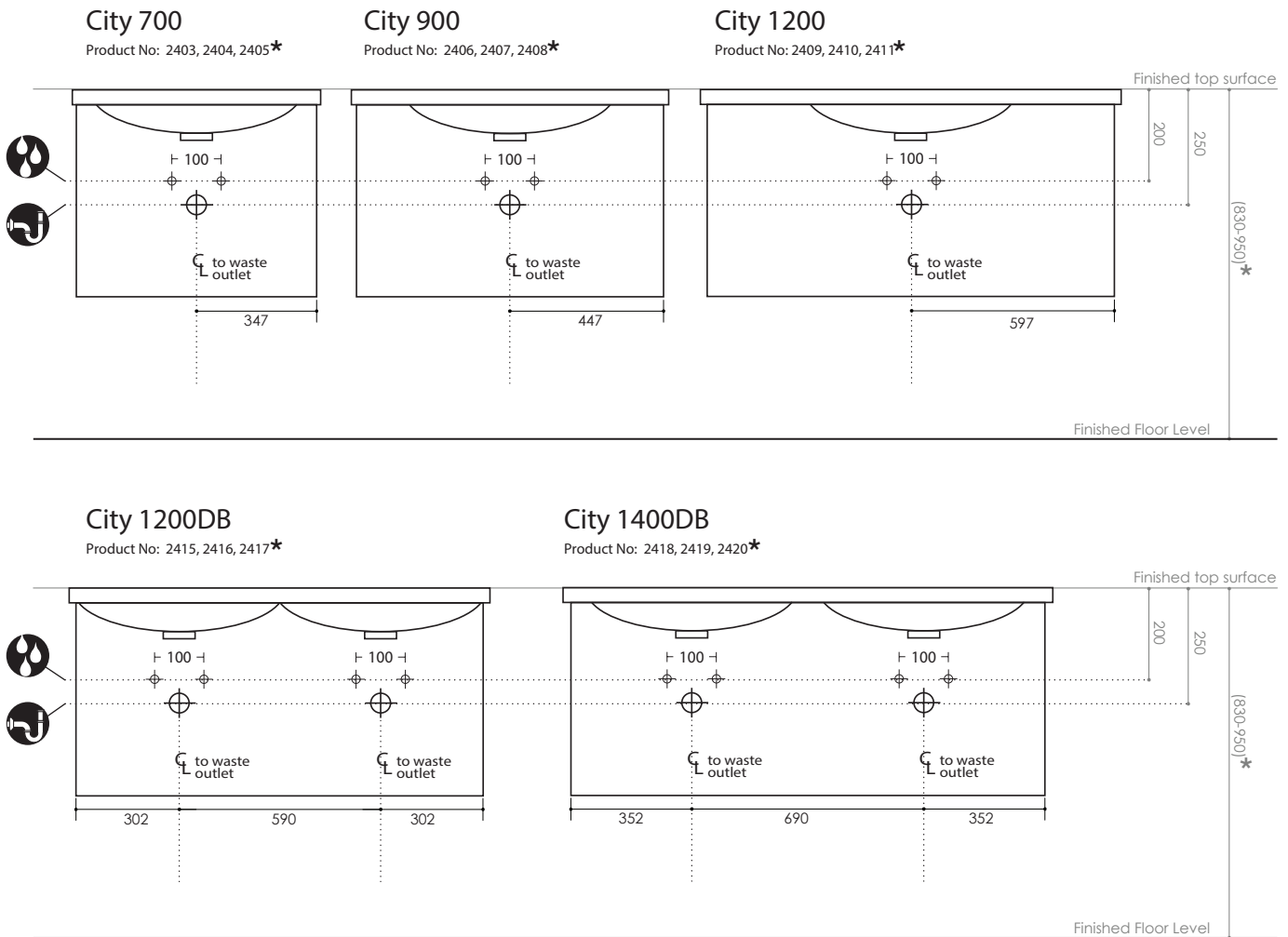
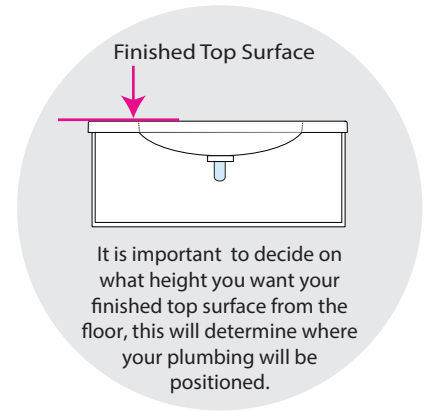


PLUMBING POSITIONS

Vanity Range Basin

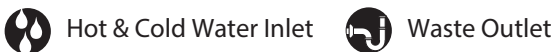
City
Sussy - Mineral Cast

- We suggest that you install your Wall hung vanity between 830-950mm high to the finished top surface. Floor mounted vanities have set heights
- For internal division positions - please refer to cabinet specifications
- Note: Waste outlet positioned for standard chrome bottletrap and pop up basin waste.
- Illustrations are representations and not to scale



***Floor mounted vanities will have a finished top surface height of : 850mm**

Floor mounted vanites can also be plumbed through the floor

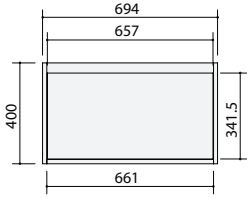


CABINET SPECIFICATIONS

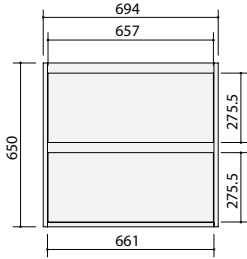
Vanity Range: City Standard

Drawings depict cabinet only. Dotted lines indicate internal cabinet parts.
Gaps inbetween doors and drawers are 2mm. All measurements are in millimetres and are +/- 2mm.

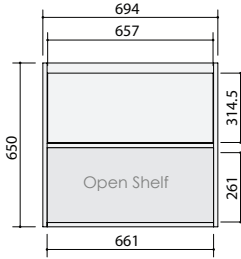
City 700 Wall - 1 Drawer



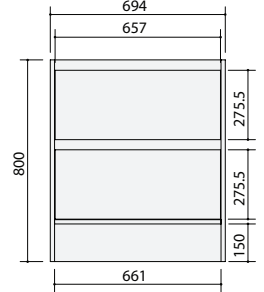
City 700 Wall - 2 Drawer



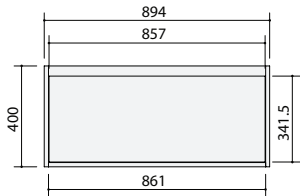
City 700 Wall- 1 Drawer, Open



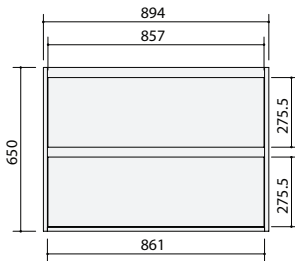
City 700 Floor - 2 Drawer



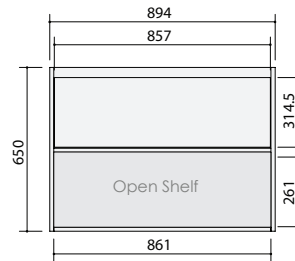
City 900 Wall - 1 Drawer



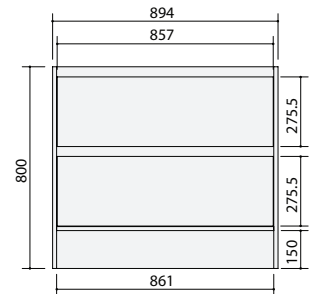
City 900 Wall - 2 Drawer



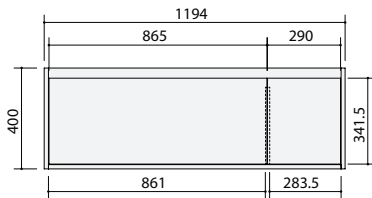
City 900 Wall- 1 Drawer, Open



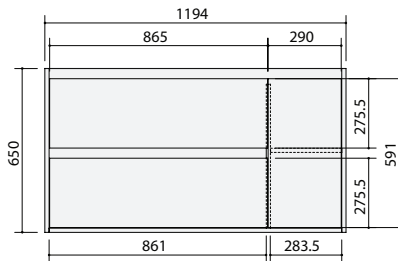
City 900 Floor - 2 Drawer



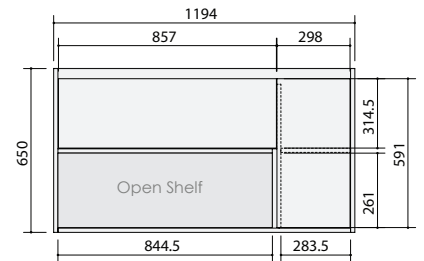
City 1200 Wall - 1 Drawer, 1 Door



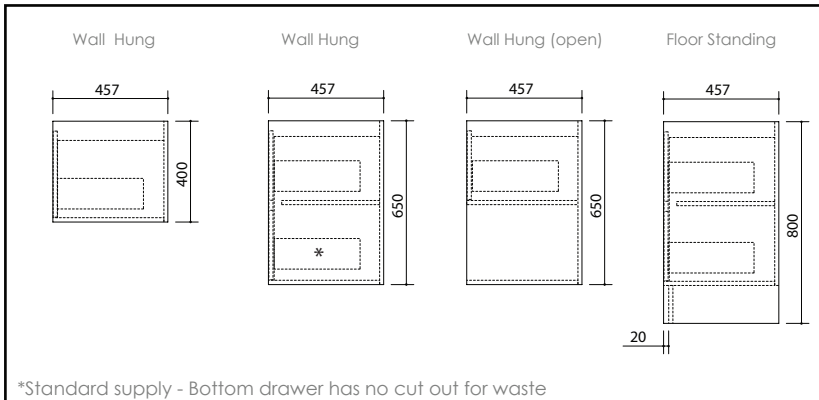
City 1200 Wall - 2 Drawer, 1 Door



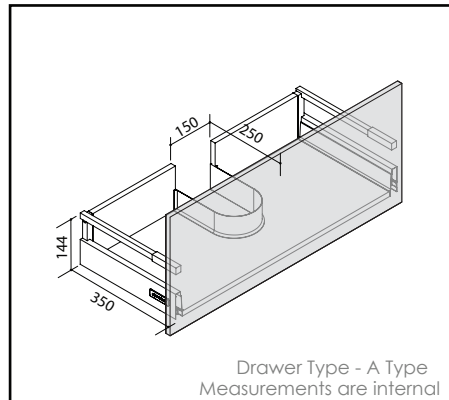
City 1200 Wall- 1 Drawer, 1 Door, Open



End View



Drawer Detail

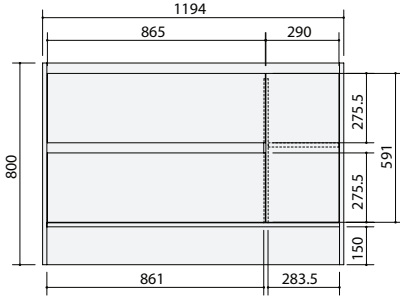


CABINET SPECIFICATIONS

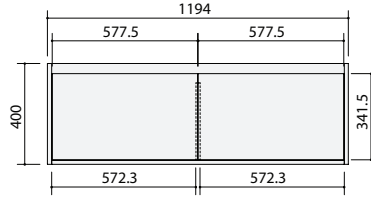
Vanity Range: City Standard

Drawings depict cabinet only. Dotted lines indicate internal cabinet parts.
Gaps inbetween doors and drawers are 2mm. All measurements are in millimetres and are +/- 2mm.

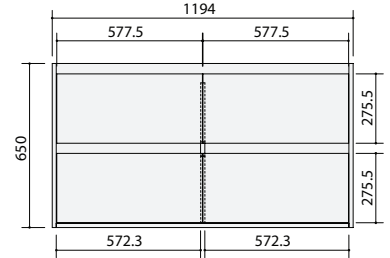
City 1200 Floor - 2 Drawer, 1 Door



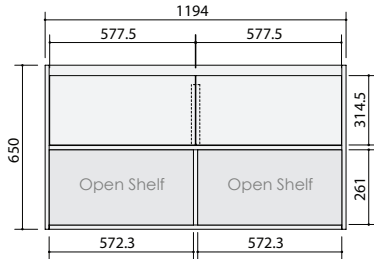
City 1200 DB Wall - 2 Drawer



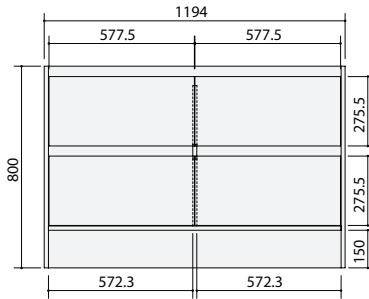
City 1200 DB Wall - 4 Drawer



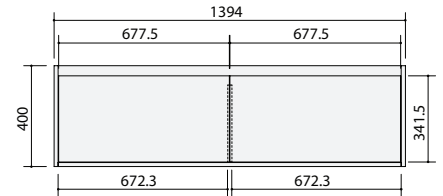
City 1200 DB Wall - 2 Drawer, 2 Open



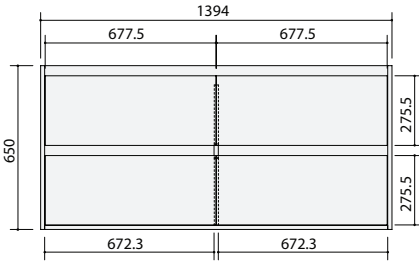
City 1200 DB Floor - 4 Drawer



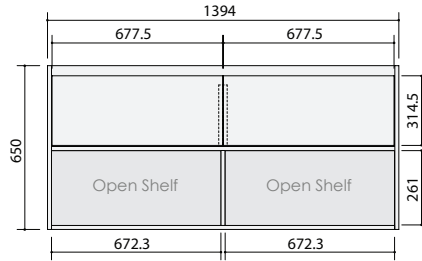
City 1400 Wall - 2 Drawer



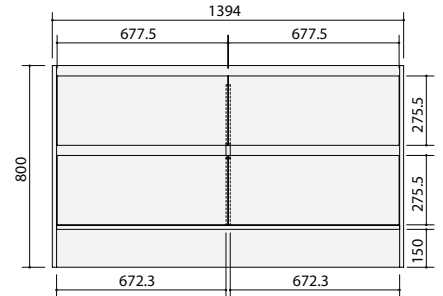
City DB 1400 Wall - 4 Drawer



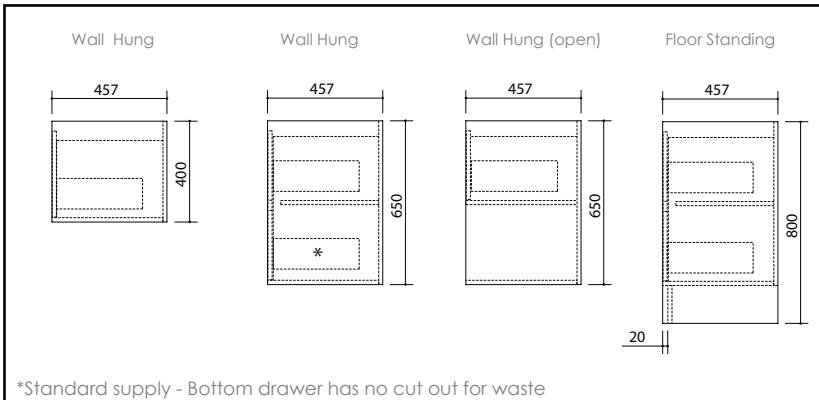
City DB 1400 Wall - 2 Drawer, 2 Open



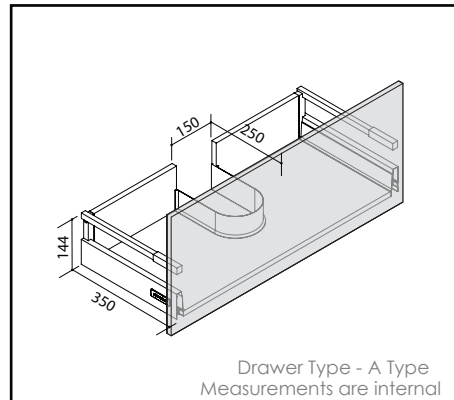
City DB 1400 Floor - 4 Drawer



End View



Drawer Detail

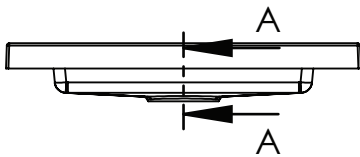
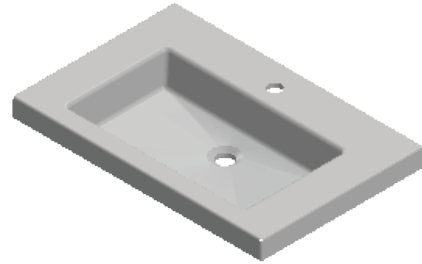
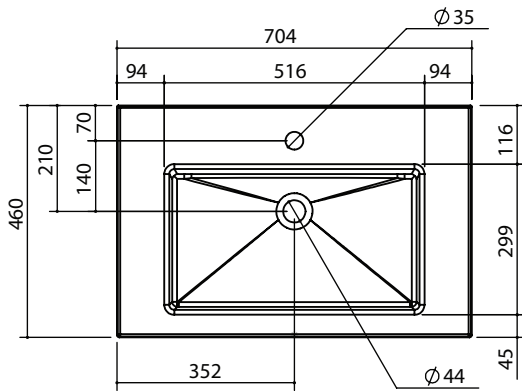


*Standard supply - Bottom drawer has no cut out for waste

St Michel pursues a policy of continuing improvement in design and manufacturing of its products. The right is therefore reserved to vary specifications without notice | Revised 01/2018

BASIN SPECIFICATIONS

Product Name Sussy 700 Single bowl
Product Description Mineral Cast Vanity Basin
Nominal Size 704mm x 460mm

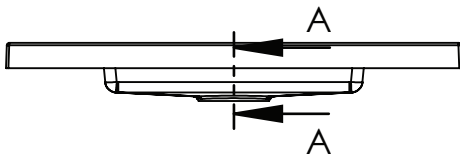
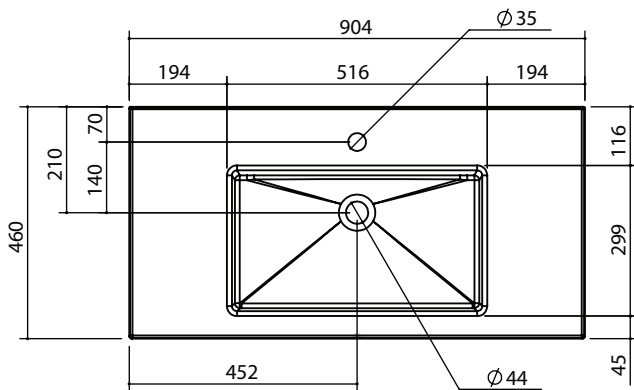
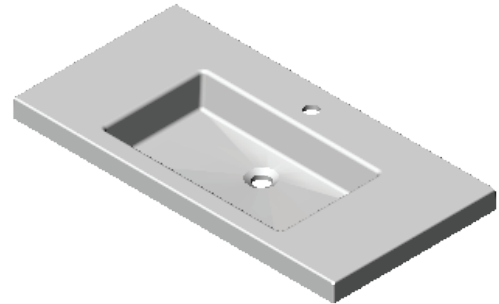


Bowl Water Volume: 11L
Overflow: Overflow not provided.
Fixing: The basin must be sealed to the top sections of the vanity unit with an acetic cured silicone sealant. Epoxy type sealants must not be used
Colour: White Only
Dimensions: All measurements are in millimetres and are +/- 2mm

St Michel pursues a policy of continuing improvement in design and manufacturing of its products. The right is therefore reserved to vary specifications without notice | Revised 01/2018

BASIN SPECIFICATIONS

Product Name Sussy 900 Centre Single bowl
Product Description Mineral Cast Vanity Basin
Nominal Size 904mm x 460mm



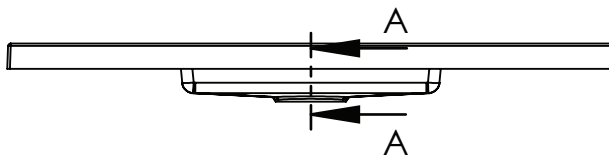
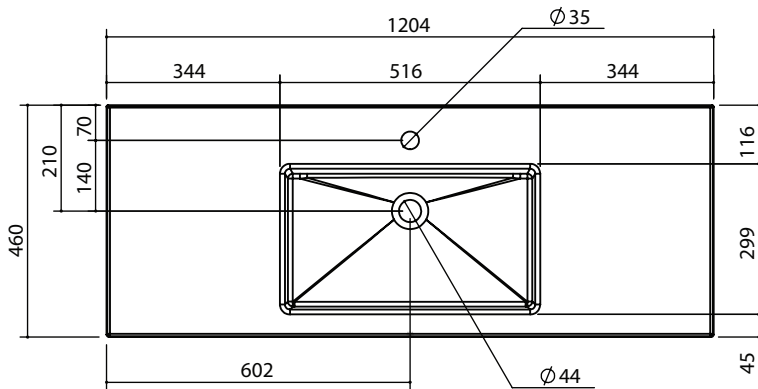
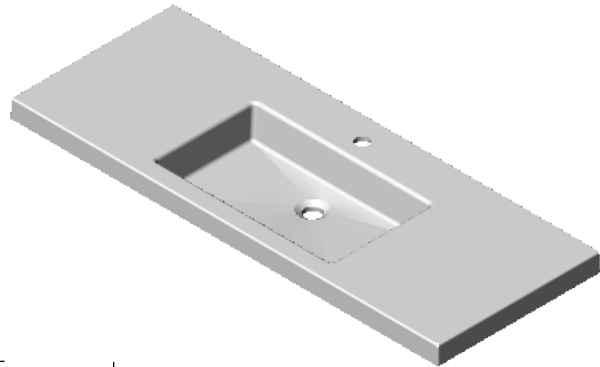
SECTION A-A

Bowl Water Volume: 11L
Overflow: Overflow not provided.
Fixing: The basin must be sealed to the top sections of the vanity unit with an acetic cured silicone sealant. Epoxy type sealants must not be used
Colour: White Only
Dimensions: All measurements are in millimetres and are +/- 2mm

St Michel pursues a policy of continuing improvement in design and manufacturing of its products. The right is therefore reserved to vary specifications without notice | Revised 01/2018

BASIN SPECIFICATIONS

Product Name Sussy 1200 Centre Single bowl
Product Description Mineral Cast Vanity Basin
Nominal Size 1204mm x 460mm



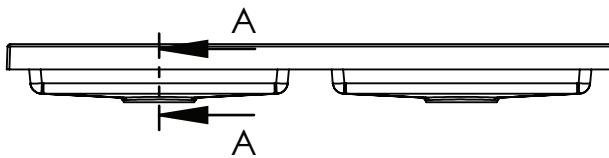
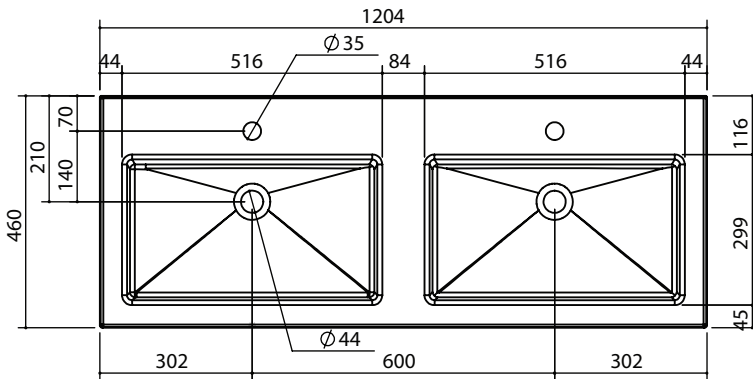
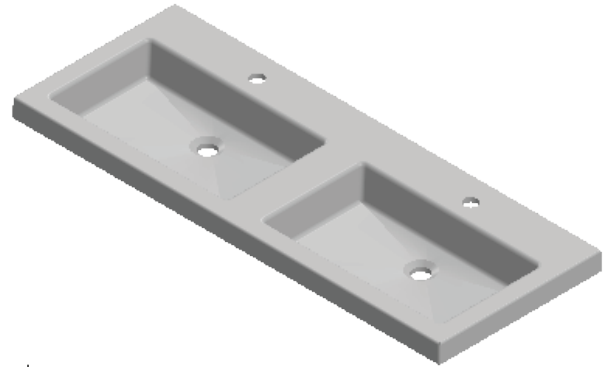
SECTION A-A

Bowl Water Volume: 11L
Overflow: Overflow not provided.
Fixing: The basin must be sealed to the top sections of the vanity unit with an acetic cured silicone sealant. Epoxy type sealants must not be used
Colour: White Only
Dimensions: All measurements are in millimetres and are +/- 2mm

St Michel pursues a policy of continuing improvement in design and manufacturing of its products. The right is therefore reserved to vary specifications without notice | Revised 01/2018

BASIN SPECIFICATIONS

Product Name Sussy 1200 Double bowl
Product Description Mineral Cast Vanity Basin
Nominal Size 1204mm x 460mm



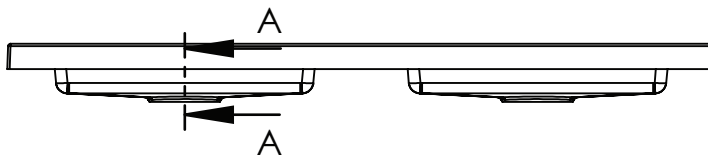
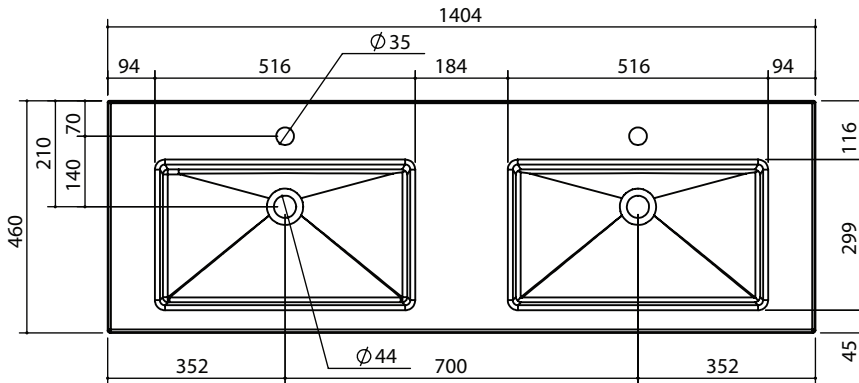
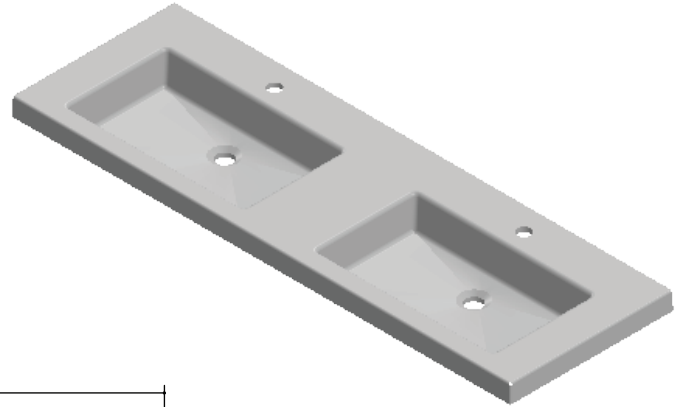
SECTION A-A

Bowl Water Volume: 11L
Overflow: Overflow not provided.
Fixing: The basin must be sealed to the top sections of the vanity unit with an acetic cured silicone sealant. Epoxy type sealants must not be used
Colour: White Only
Dimensions: All measurements are in millimetres and are +/- 2mm

St Michel pursues a policy of continuing improvement in design and manufacturing of its products. The right is therefore reserved to vary specifications without notice | Revised 01/2018

BASIN SPECIFICATIONS

Product Name Sussy 1400 Double bowl
Product Description Mineral Cast Vanity Basin
Nominal Size 1404mm x 460mm



SECTION A-A

Bowl Water Volume: 11L
Overflow: Overflow not provided.
Fixing: The basin must be sealed to the top sections of the vanity unit with an acetic cured silicone sealant. Epoxy type sealants must not be used
Colour: White Only
Dimensions: All measurements are in millimetres and are +/- 2mm

St Michel pursues a policy of continuing improvement in design and manufacturing of its products. The right is therefore reserved to vary specifications without notice | Revised 01/2018