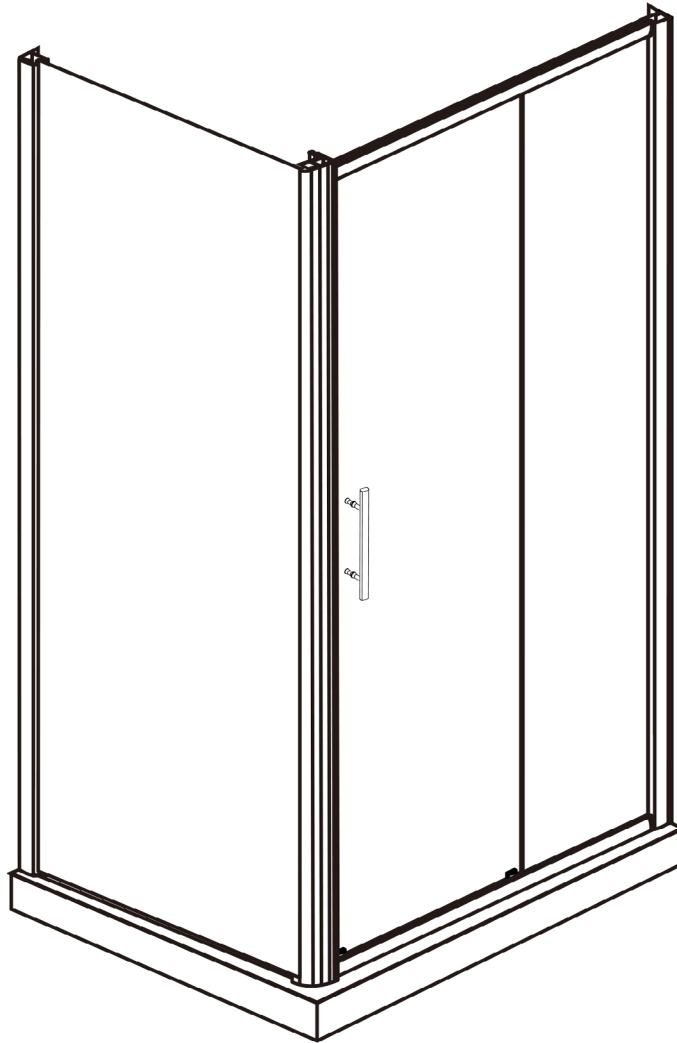


Raymor

SLIDING DOOR SET

INSTRUCTION MANUAL



PRODUCT CODES:

RAY1200CHR
RAY1200WHT

INSTRUCTION MANUAL VERSION: 16/0001

NEWLINE

Newline Group Limited
Freephone 0508 639 5463 | www.newline.co.nz

CONTENTS

PLEASE READ THROUGH AND UNDERSTAND ALL INSTRUCTIONS BEFORE
INSTALLATION AND USE.

| CONTENTS | PAGE |
|-----------------------|-------|
| Important Information | ... 1 |
| Preparation Checklist | ... 2 |
| Supplied Components | ... 3 |
| Layout Procedure | ... 5 |
| Installation Steps | ... 6 |

Raymor

SLIDING DOOR SET / Important Information

IMPORTANT

When you receive your Raymor shower check contents for any freight damage. Advise Newline on 0508 639 5463 if any damage has occurred within 8 hours of receiving the goods so this is can rectified. Do not proceed with installation until resolved.

WARRANTY

Faulty goods are covered under warranty. Visit www.newline.co.nz for warranty information. Breakages incurred during installation are not covered under warranty.

HEALTH AND SAFETY

Toughened Glass:

- Do not rework precut glass panels. Cutting or altering a glass panel will cause it to explode without warning.
- Unpack all glass assemblies. Stand glass on soft packaging when it is on the floor and against a wall. Care must be taken not to strike any edge or corner against a hard surface as this will chip and destroy the glass panel.

Installation:

- Glass panels and assemblies are heavy. Two man lifting is recommended for handling and installation.
- Determine positioning of wiring and piping within wall cavities before shower installation. Mark their positions to ensure electrical and piping areas are avoided.
- Wear appropriate protective clothing and eye protection during installation.

TOOLS REQUIRED

| | | |
|----------------------------|-----------------------------|--------------|
| Spirit Level | Soft pencil | Masking Tape |
| Electric Drill and Bits | Tape measure | |
| Square headed Screwdrivers | Cleaning Materials and Rags | |

MATERIALS REQUIRED

Sika Silaflex NG translucent Silicone.

AFTERCARE

The shower must be thoroughly cleaned weekly with a microfiber cloth, mild detergent and water. Rinse with clean water and squeegee and wipe dry. Note: Glass panels are factory pretreated with EnduroShield glass coating protection. Please visit enduroshield.com to register your warranty and view cleaning and warranty requirements.

INSTALLATION

It is recommended that a professional shower installer is used to install this product.

PROJECT MANAGEMENT / Preparation Checklist

ENSURE YOU TICK THE SPECIFIC BOXES THAT APPLY AS YOU PROGRESS

- 2 Sided Shower: Ensure the floor is level and the walls are plumb and flat.
- Position all framing for solid fixing for the shower tray, shower and plumbing fittings (refer to the specific tray, liner and shower instruction manual at www.newline.co.nz).
- Ensure all plumbing items have been installed prior to the lining being attached.
- Alcove Shower: Critical that the walls are constructed plumb and flat within the specifications of the specific shower being installed.

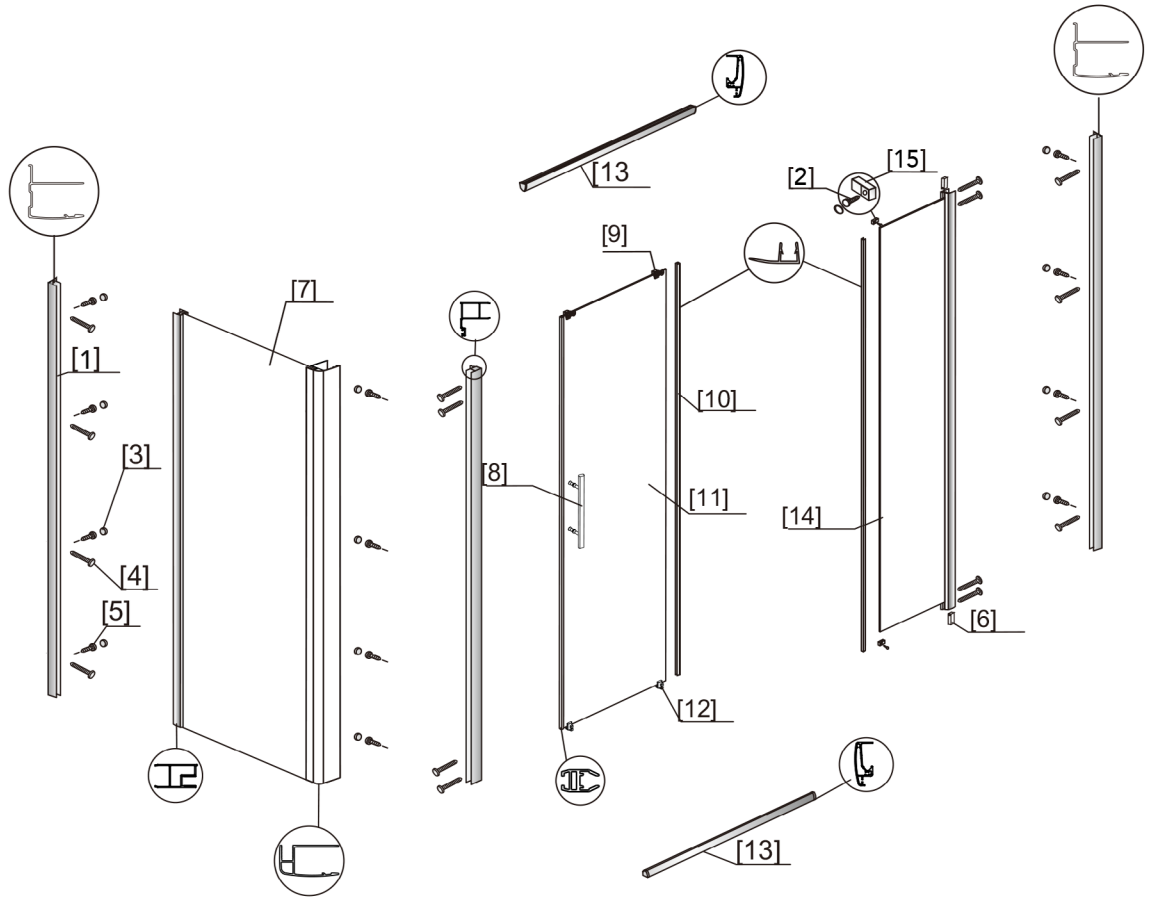
ACRYLIC TRAY AND LINER OPTION

- Detailed installation instructions are packed with the shower tray for tray and lining installation.
- Alcove application may require specific detailing of framing or plasterboard lining. This will need to be completed prior to framing.
- Shower waste and supply fittings must be installed by a registered plumber.

TILE INSTALLATION OPTION WITH STANDARD PROFINISH™ TILE TRAY

- The “ProFinish™ Tile Tray” must be installed as per the ProFinish™ installation instructions with the packaged product.
- The leak proof waste and supply fittings must be installed by registered plumber.
- Waterproofing must be undertaken by certified applicator and a Producer Statement provided. There is a list of 14 proven systems listed in the back of these instructions.
- Tiling:
 1. Manufacturers waterproofing cure times must be adhered to.
 2. The notched trowel lines for the tile mortar must be all leading to the waste outlet.
 3. Ensure tiles are laid according to the falls in the tray.
 4. The boundary line where the shower screen sits must be level.
 5. Tile adhesive cure times must be allowed before commencing shower installation.

SUPPLIED COMPONENTS

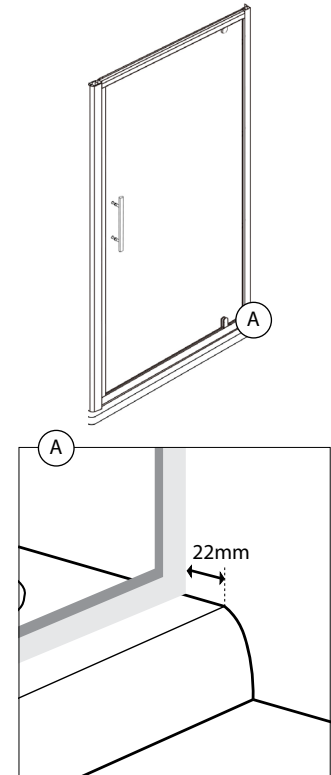


| Ref | Description | Parts Number | Qty |
|-----|--------------------|--------------|-----|
| 1 | Wall Posts | | 2 |
| 2 | Screws M4x3/8" | PACK | 2 |
| 3 | Screw Cover Caps | PACK | 12 |
| 4 | Screws M4x1 3/8" | PACK | 16 |
| 5 | Screws M4x5/16" | PACK | 12 |
| 6 | Spacer Blocks | | 2 |
| 7 | Return Panel | | 1 |
| 8 | Handle Set | | 1 |
| 9 | Top Rollers | | 2 |
| 10 | Water Deflectors | | 2 |
| 11 | Door Panel | | 1 |
| 12 | Bottom Rollers | | 2 |
| 13 | Top/Bottom Rollers | | 2 |
| 14 | Fixed Panels | | 1 |
| 15 | Glass Clamp | | 2 |

LAYOUT PROCEDURE / 2-Sided Shower

ACRYLIC TRAY APPLICATION

- Installation of the tray and liner must be completed as per separate instructions packaged with the Tray.
- Mark out the outside boundary line 22mm in from the outside of the Tray (refer Diagram A). This measurement will allow for walls out of plumb up to 8mm.
- Greater variances to plumb than 8mm at the wall must be assessed and adjusted because this impacts on the boundary line.
- Preferably the door and return panel boundary line remains equal to the tray edge.



PROFINISH™ TILE TRAY WITH HOB APPLICATION

- Installation and completion of the framing, wall lining, tray, waterproofing and tiling must be complete. This is covered in the ProFinish™ Instructions.
- The desired position for the boundary line is the 5mm inwards of the centre line of the Hob.
- The Layout Table below will allow for approximately 8mm of variation from plumb at the wall.
- Greater variances to plumb at the wall than 8mm must be assessed how this impacts on the boundary line.
- Preferably the door and return panel boundary line remains equal to the tray edge.

Recommended measurement that can be used as a cross check for item 2:

| Slide Shower Type | Wall to Boundary Line |
|-------------------|-----------------------|
| 1200mm x 900mm | 1165mm x 865mm |

OTHER APPLICATIONS

- The smallest or largest measurement in this table may not be achievable if walls are not plumb or the floor level.

MINIMUM TO MAXIMUM GUIDE

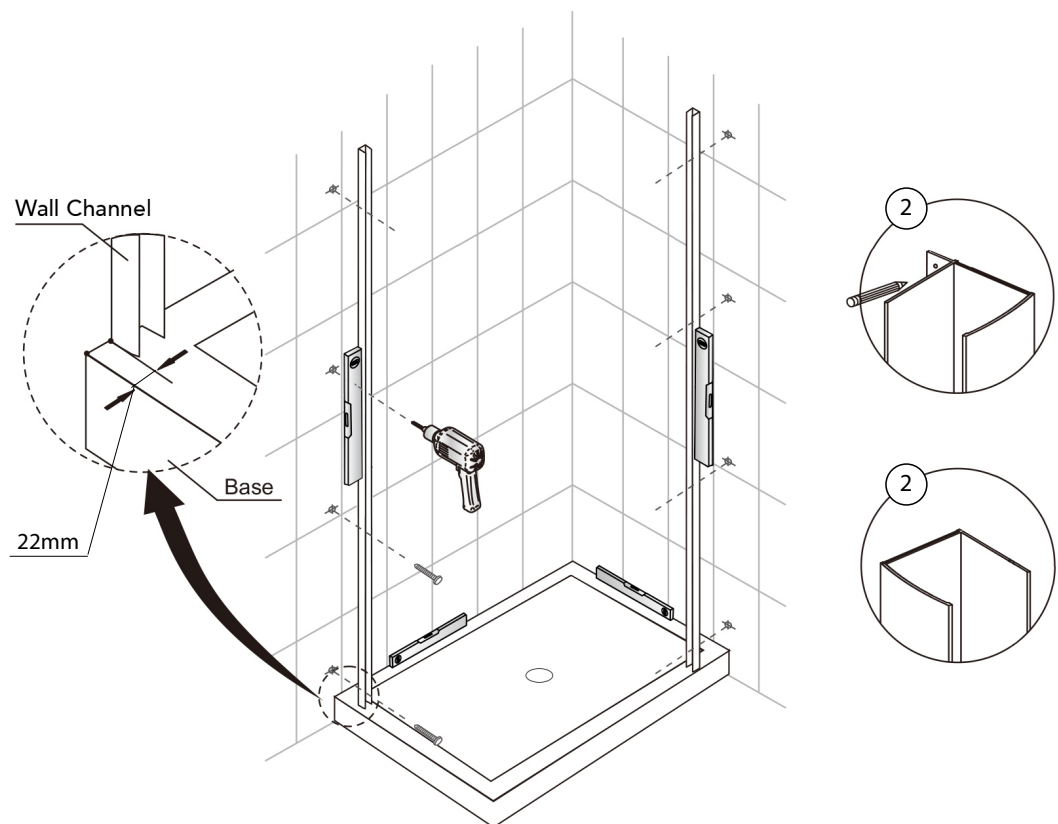
| Shower Size | Door Assembly | Return Panel |
|----------------|------------------------------|----------------------------|
| 1200mm x 900mm | 1155mm (min) to 1175mm (max) | 855mm (min) to 875mm (max) |

INSTALLATION STEPS / 2-Sided Configuration

STEP 1

1. Referring to the Assembly Layout Plan (Page 5), set up and plumb Wall Channels on boundary line.
2. Apply silicone to back of wall channels and fasten to the wall ensuring that they remain plumb.

Tiling Note: Some authorities do not allow the waterproof layer to be penetrated. Use Bostik V60 to fix Wall Channels and allow to cure as per manufacturers instructions.

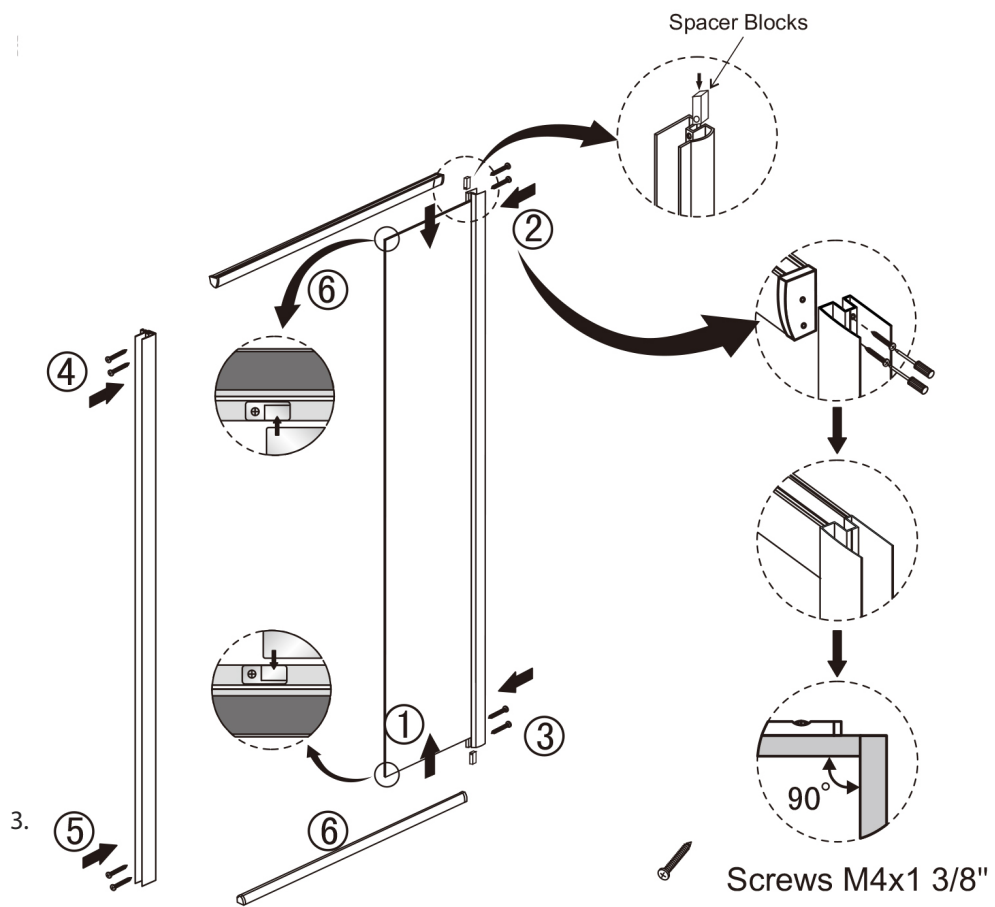


STEP 2

Assembly of Door Frame

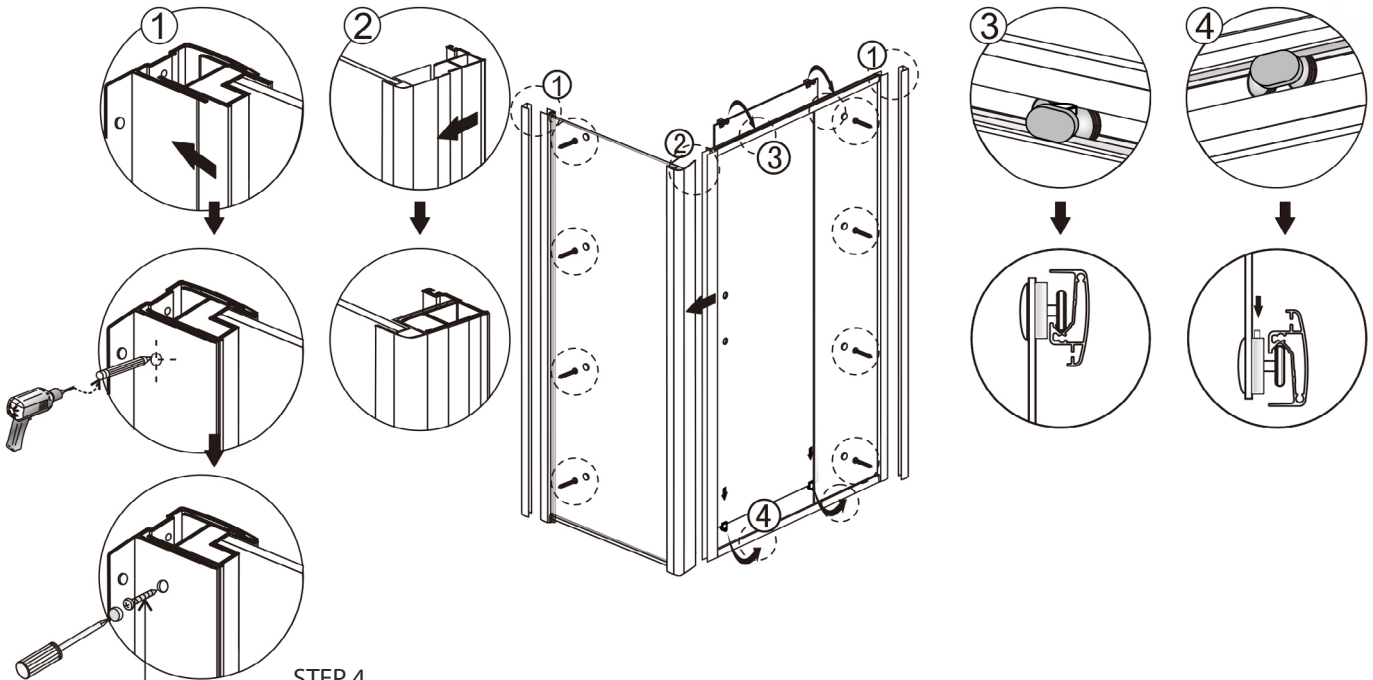
Components: Top and bottom rails (13) Fixed front panel (14) Corner post (17) Spacer Blocks(6) 4 x 35mm screws (3) Two spacer Blocks (6) Two Glass clamps(16) and 2 screws 4 x 10mm. Note: Refer back to Assembly Drawing on page XX to reference numbers.

1. Bring the Door Frame together as illustrated and with the 35mm screws and glass clamps to secure to the frame.
2. Check the frame is square and tighten all fastenings.



STEP 3

1. Slide Door assembly and Return panel into the wall channels. (1)
2. Bring together the two panel assemblies together at the corner (2).
3. Adjust the Door and Return Panels evenly on the tray and into the Wall channels (1).
4. Bring the corner joint together and drill and fasten this point (2).
5. Align the door frame and return panel evenly to the walls and Tray.
6. Square up the door frame.
7. Fit door inserting top rollers into top rail and push down bottom rollers into bottom rail.
8. Make final alignment adjustments to the Shower with a spirit level and fasten frame to Wall channels

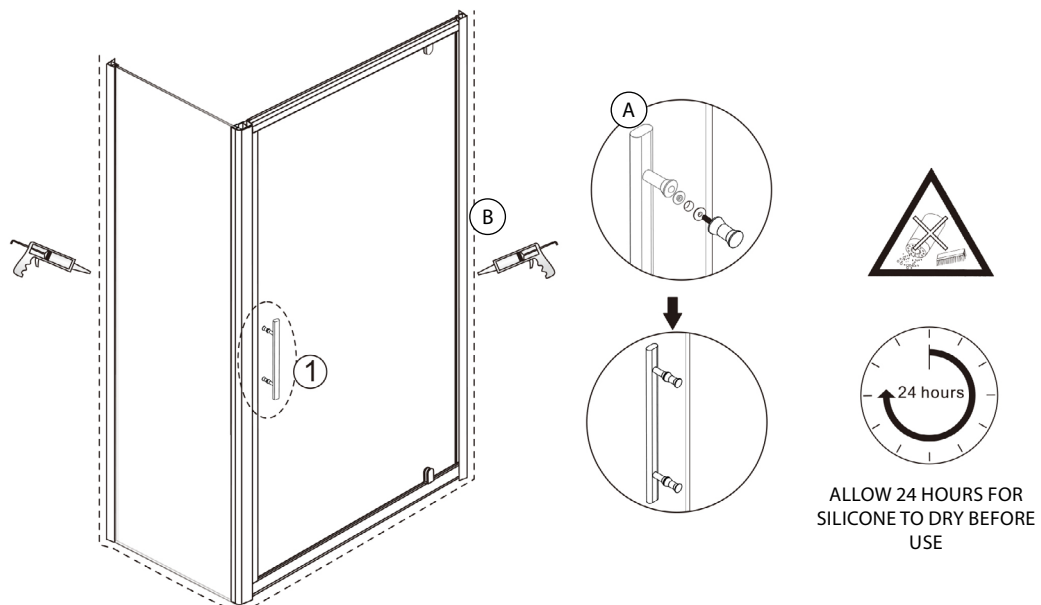


STEP 4

Screw M4x5/16"

1. Fasten the handle in place (A).
2. Apply silicone to the outer boundaries as indicated with dotted lines (B).

Note: Sealing on the inside of the shower will void the warranty.



LAYOUT PROCEDURE / Alcove Configuration

ACRYLIC TRAY APPLICATION

- Installation of the tray and liner must be completed as per separate instructions.
- We recommend using GIB Aqualine® 13mm or equivalent for both sides of the Alcove. This is optimum width.
- Measure outside boundary line at 15mm in from the outside of the Tray. Mark the tray and plumb up the walls.

PROFINISH™ TILE TRAY WITH HOB APPLICATION

- Installation and completion of the framing, wall lining, tray, waterproofing and tiling must be complete. This is covered in the ProFinish™ Instructions.
- The finished width and depth of the framed and lined Alcove is 1190mm (W) x 900mm (D)
- Standard Raymor Slider Alcove “ProFinish™ Tray” size 1200 Tray = 1190mm (W) x 900mm (D)
- Establish the Door Set outside boundary line at the centre position of the finished Tiled Hob and plumb this up the walls.

OTHER APPLICATIONS

- Use the Minimum to Maximum Guide below to establish your outer boundary line.
- Wall or floor discrepancies will restrict use of the full range of minimum and maximum measurements outlined below.

MINIMUM TO MAXIMUM GUIDE

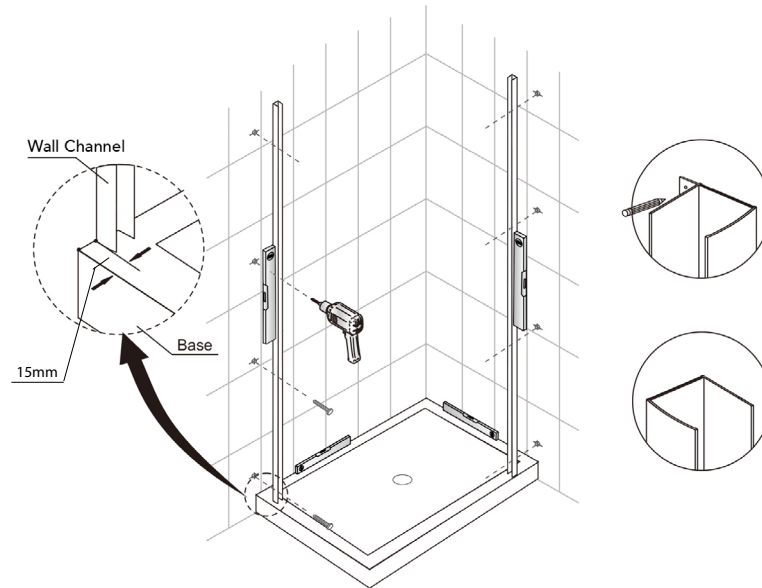
| Shower Door | Minimum | Maximum |
|-------------|---------|---------|
| 1200 (W) | 1142mm | 1182mm |

INSTALLATION STEPS / Alcove Configuration

STEP 1

1. Mark out the Wall Channels up the wall as indicated to establish the outside boundary line.
2. Take one Wall Channel only, apply silicone to the back and fasten to the wall. Note: Flange to the inside.

Tiling Note: Some authorities do not allow the waterproof layer to be penetrated. Use Bostik V60 to fix Wall Channels and allow to cure as per manufacturers instructions.

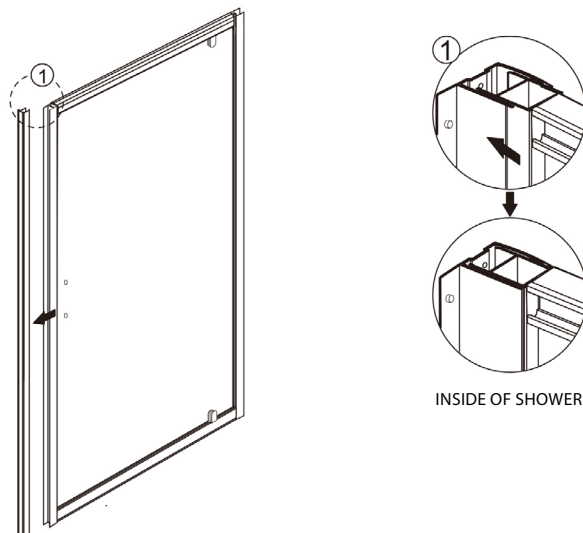


STEP 2

Assembly of Door Frame

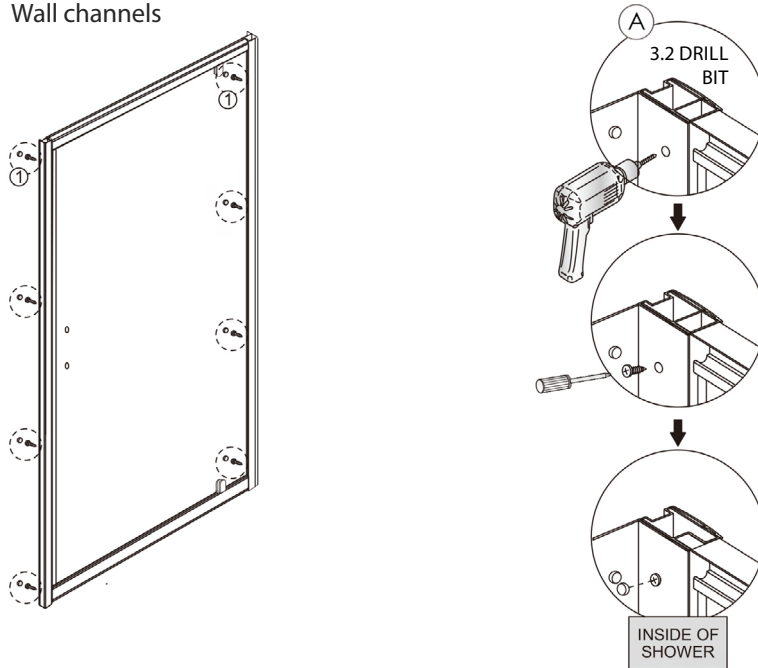
Components: -Top and bottom rails (13) Fixed front panel (14) Corner post (17) Spacer Blocks (6) 4 x 35mm screws (3) Two spacer Blocks (6) Two Glass clamps (16) and 2 screws 4x10mm Note: Refer back to Assembly Drawing on page XX to reference numbers.

1. Assembly: - Bring the Door Frame together as illustrated and with the 35mm screws and glass clamps secure the frame.
2. Check the frame is square and tighten all fastenings



STEP 3 / Fitting to Alcove

1. Slide the remaining wall channel onto the opposite side of the door assembly.
2. Install the Door assembly into the initial wall channel on the wall.
3. Apply silicone to the back of the opposite wall channel and fasten at the boundary line.
4. Even out the door frame within each wall channel.
5. Square up the door frame and door.
6. Fit door inserting top rollers into top rail and push down bottom rollers into bottom rail.
7. Make final alignment adjustments to the Shower with a spirit level and fasten frame to Wall channels



STEP 4

1. Fasten the handle in place (A1).
2. Apply silicone to the outer boundaries as indicated by dotted line (A2).

Note: Sealing on the inside of the shower will void the warranty.

