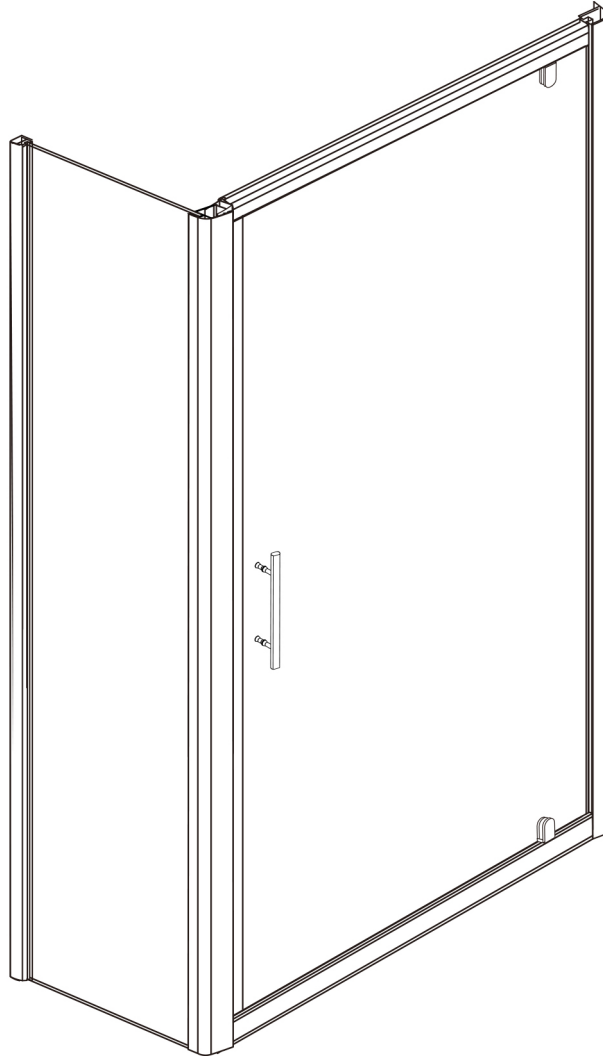


# Raymor

## PIVOT DOOR SET

---

### INSTRUCTION MANUAL



---

PRODUCT CODES:

RAY900CHR-PIVOT

RAY1000WHT-PIVOT

RAY900WHT-PIVOT

RAY1200CHR-PIVOT

RAY1000CHR-PIVOT

RAY1200WHT-PIVOT

INSTRUCTION MANUAL VERSION: 16/0003

---

**NEWLINE**  
*for a lifetime!*

Newline Group Limited

Freephone 0508 639 5463 | [www.newline.co.nz](http://www.newline.co.nz)

# CONTENTS

---

PLEASE READ THROUGH AND UNDERSTAND ALL INSTRUCTIONS BEFORE INSTALLATION AND USE.

The Raymor Pivot Door Set can be installed as a 2-Sided shower enclosure or installed as a door only option for an Alcove (3-Sided) shower. This instruction manual contains information on installing both 2-Sided and Alcove shower enclosures. Please ensure you are referring to the correct Layout Procedure and installation steps for your shower configuration before commencing installation.

CONTENTS	PAGE
Important Information	... 1
Preparation Checklist	... 2
Supplied Components / 900 and 1000 Showers	... 3
Supplied Components / 1200 Showers	... 4
Layout Procedure / 2-Sided Configurations	... 5
Installation Steps / 2-Sided Configurations	... 6
Layout Procedure / Alcove (3-Sided) Configurations	... 8
Installation Steps / Alcove (3-Sided) Configurations	... 9

# Raymor

## PIVOT DOOR SET / Important Information

---

### IMPORTANT

Firstly check all items have been received.

If there is freight damage, faults or an incorrect component supplied advise your supplier within 12 hours. Do not proceed with installation as this will invalidate any claims.

### WARRANTY

Faulty goods are covered under warranty. Visit [www.newline.co.nz](http://www.newline.co.nz) for warranty information.

Breakages incurred during installation are not covered under warranty.

### HEALTH AND SAFETY

Toughened Glass:

- Do not rework precut glass panels. Cutting or altering a glass panel will cause it to explode without warning.
- Unpack all glass assemblies. Stand glass on soft packaging when it is on the floor and against a wall. Care must be taken not to strike any edge or corner against a hard surface as this will chip and destroy the glass panel.

Installation:

- Glass panels and assemblies are heavy. Two man lifting is recommended for handling and installation.
- Determine positioning of wiring and piping within wall cavities before shower installation. Mark their positions to ensure electrical and piping areas are avoided.
- Wear appropriate protective clothing and eye protection during installation.

### TOOLS REQUIRED

Spirit Level

Soft pencil

Masking Tape

Electric Drill and Bits

Tape measure

Square headed Screwdrivers

Cleaning Materials and Rags

### MATERIALS REQUIRED

Sika Silaflex NG translucent Silicone.

### AFTERCARE

The shower must be thoroughly cleaned weekly with a microfiber cloth, mild detergent and water. Rinse with clean water and squeegee and wipe dry. Note: Glass panels are factory pretreated with EnduroShield glass coating protection. Please visit [enduroshield.com](http://enduroshield.com) to register your warranty and view cleaning and warranty requirements.

**WE RECOMMEND THAT A PROFESSIONAL SHOWER INSTALLER IS USED FOR  
INSTALLATION OF THIS PRODUCT TO ENSURE THE VERY BEST OUTCOME**

# PROJECT MANAGEMENT / Preparation Checklist

---

ENSURE YOU TICK THE SPECIFIC BOXES THAT APPLY AS YOU PROGRESS

- 2 Sided Shower: Ensure the floor is level and the walls are plumb and flat.
- Position all framing for solid fixing for the shower tray, shower and plumbing fittings (refer to the specific tray, liner and shower instruction manual at [www.newline.co.nz](http://www.newline.co.nz)).
- Ensure all plumbing items have been installed prior to the lining being attached.
- Alcove Shower: Critical that the walls are constructed plumb and flat within the specifications of the specific shower being installed.

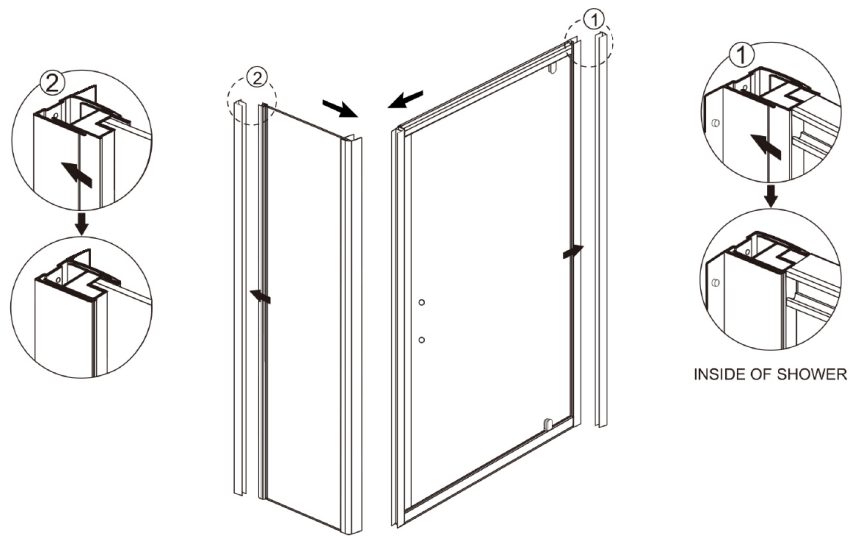
## ACRYLIC TRAY AND LINER OPTION

- Detailed installation instructions are packed with the shower tray for tray and lining installation.
- Shower waste and supply fittings must be installed by a registered plumber.

## TILE INSTALLATION OPTION WITH STANDARD PROFINISH™ TILE TRAY

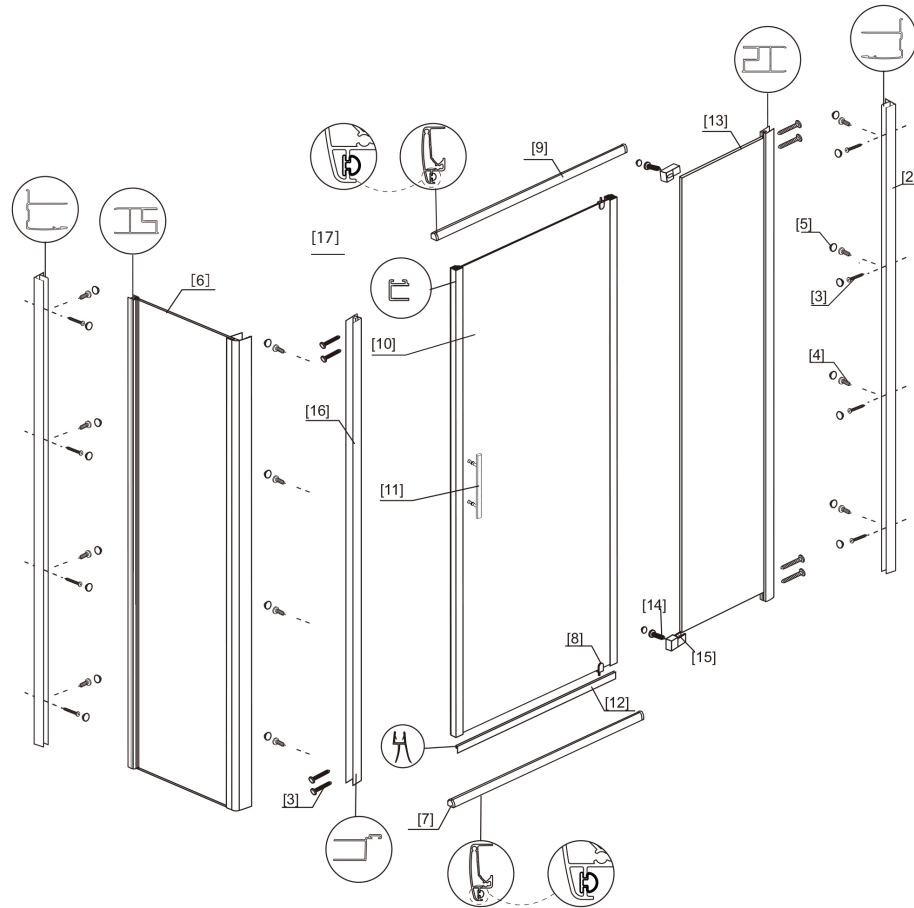
- The “ProFinish™ Tile Tray” must be installed as per the ProFinish™ installation instructions with the packaged product.
- The leak proof waste and supply fittings must be installed by registered plumber.
- Waterproofing must be undertaken by certified applicator and a Producer Statement provided. There is a list of 14 proven systems listed in the back of these instructions.
- Tiling:
  1. Manufacturers waterproofing cure times must be adhered to.
  2. The notched trowel lines for the tile mortar must be vertical on walls & leading to the waste outlet on the floor.
  3. Ensure tiles are laid according to the falls in the tray.
  4. The boundary line where the shower screen sits must be level.
  5. Tile adhesive cure times must be allowed before commencing shower installation.

## PARTS LIST / 900 and 1000 Showers



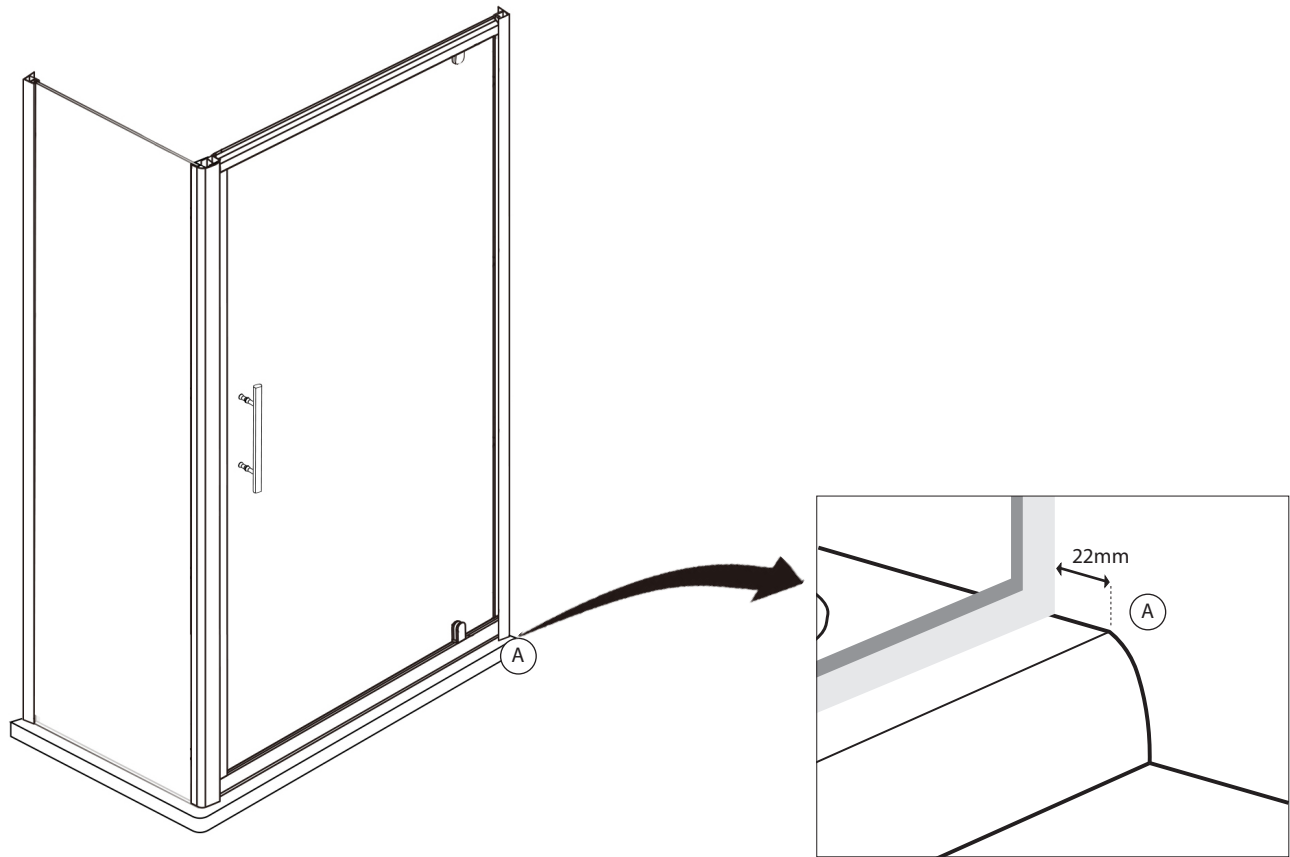
Ref	Description	Parts Number	Qty
2	Wall Posts		2
3	Screws M4x35mm	FASTENING PACK	16
4	Screws M4x8mm		12
5	Screw Cover Caps		20
6	Return Panel		1
7	Bottom Horizontal Rail		1
8	Pivot		2
9	Top Horizontal Rail		1
10	Door Panel		1
11	Handle Set		1
12	Bottom Door Gasket		1
13	Posts		2
14	Magnetic Door Strip		1

# PARTS LIST / 1200 Showers



Ref	Description	Parts Number	Qty
2	Wall channels		2
3	Screws M4 x 35mm	FASTENING PACK	8
4	Screws M4 x 8mm		12
5	Screw cover caps		12
6	Return panel		1
7	Bottom horizontal rail		1
8	Pivot		2
9	Top horizontal rail		1
10	Door panel		1
11	Handle set		1
12	Bottom door gasket		1
13	Fixed panel		1
14	Screws M4 x 10mm		2
15	Glass clamp		2
16	Door post		1
17	Magnetic Door Seal Strip		1

## LAYOUT PROCEDURE / 2-Sided Configuration



### ACRYLIC TRAY APPLICATION

- It is recommended that the position of the wall channels is 22mm off the tray edge (refer Diagram A). This measurement will allow for walls out of plumb up to 8mm.
- Greater variances to plumb than 8mm at the wall must be assessed and adjusted because this impacts on the boundary line.
- Equalize door and return panel on the final marking out.

### PROFINISH™ TILE TRAY WITH HOB APPLICATION

- The desired position for the boundary line is approximately in the centre of the hob to 5mm inwards.
- Adjust the boundary line to fit using the minimum to maximum guide.
- Variances to plumb at the wall must be assessed and adjusted because this impacts on the boundary line.

### OTHER APPLICATIONS

This table is for shower installations outside of the package installation being outlined.

### MINIMUM TO MAXIMUM GUIDE

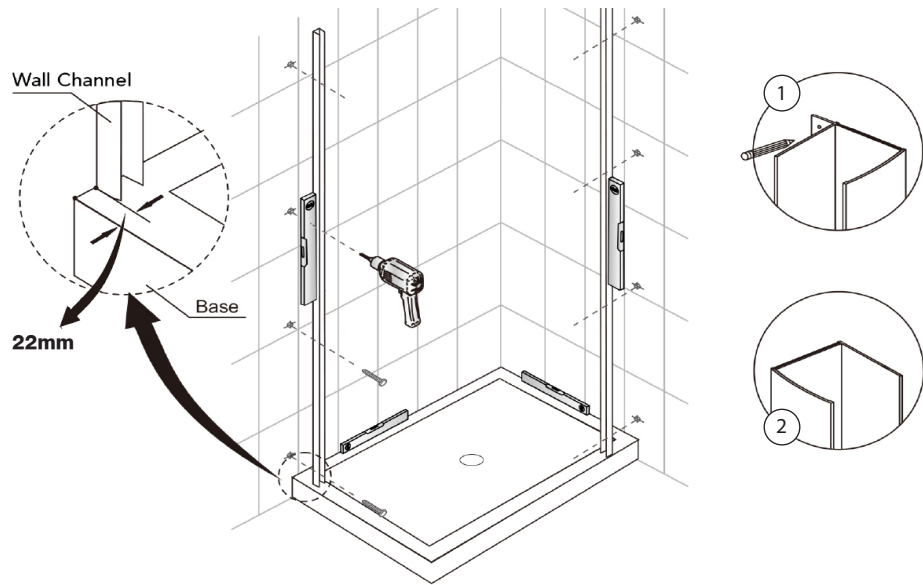
Shower Type	Door Assembly	Return Panel
900mm x 900mm	855mm (min) to 875mm (max)	855mm (min) to 875mm (max)
1000mm x 1000mm	955mm (min) to 975mm (max)	955mm (min) to 975mm (max)
1200mm x 900mm	1155mm (min) to 1175mm (max)	855mm (min) to 875mm (max)

# INSTALLATION STEPS / 2-Sided Configuration

## STEP 1

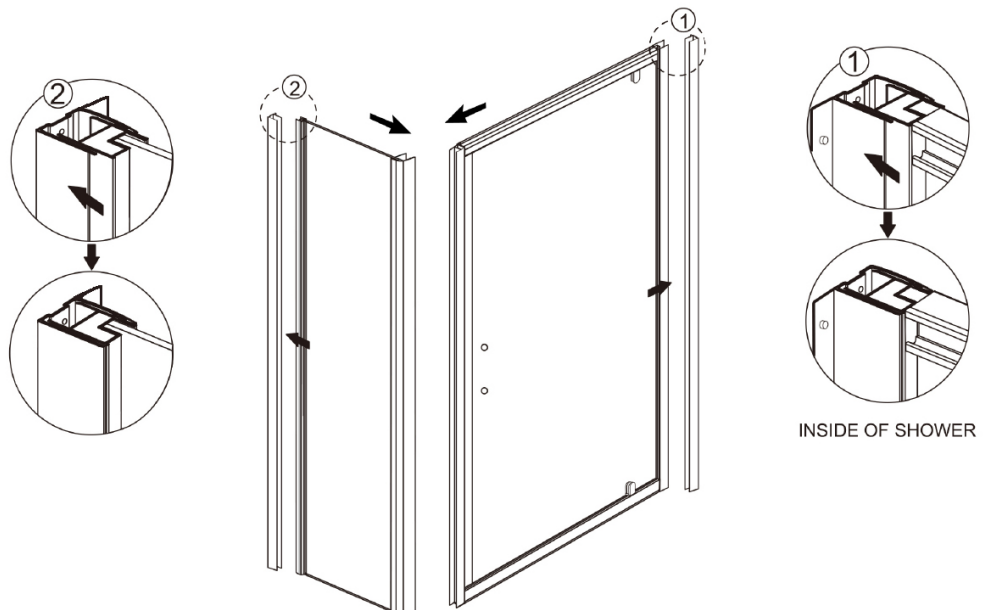
1. Referring to the Assembly Layout Plan (Page 5), set up and plumb Wall Channels on boundary line.
2. Apply silicone to back of wall channels and fasten to the wall ensuring that they remain plumb.

Tiling Note: Some authorities do not allow the waterproof layer to be penetrated. In this instance we recommend using Bostik V60 to fix Wall Channels. Allow to cure as per manufacturers instructions before proceeding with shower installation.



## STEP 2

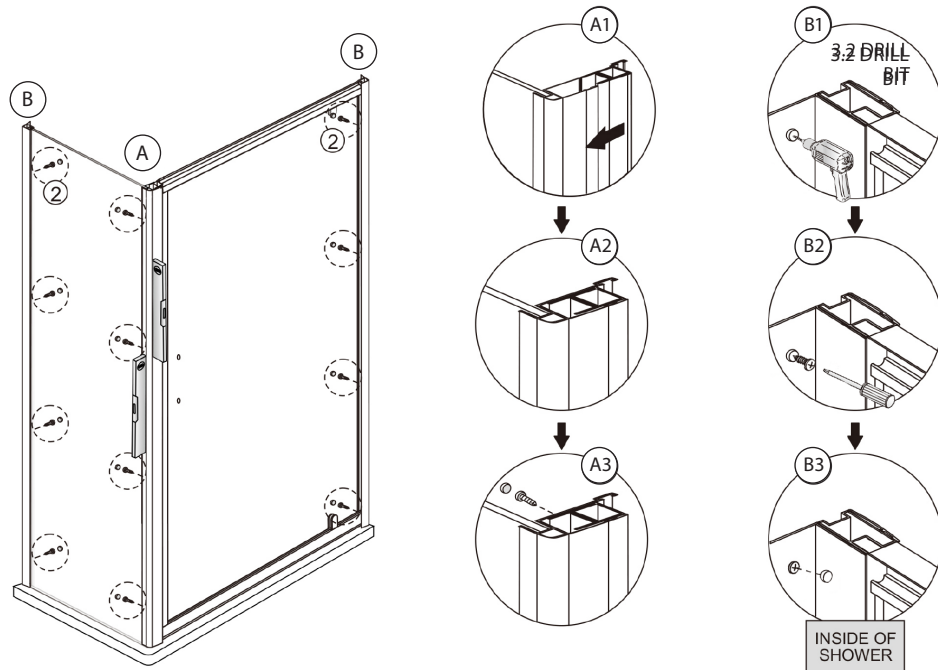
Slide door assembly and Return Panel into the Wall Channels. Place the two panel assemblies together at the corner.





### STEP 3

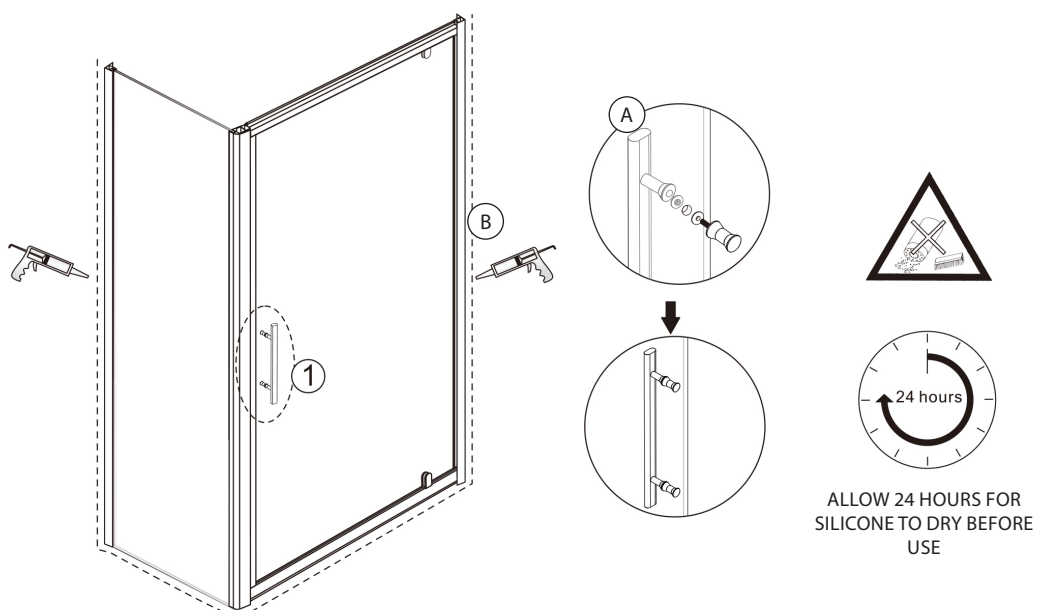
1. Adjust the Door and Return Panels evenly on the tray and into the Wall Channels.
2. Bring the corner joint together and drill and fasten this point (A1, A2 and A3).
3. Align the Door Assembly and Return Panel evenly to the walls and tray.
4. Square up the door frame and door and ensuring the magnetic door catch is in line.
5. Fasten as detail in diagram below (B1, B2 and B3).



### STEP 4

1. Fasten the handle in place (A).
2. Apply silicone to the outer boundaries as indicated with dotted lines (B).

Note: Sealing on the inside of the shower will void the warranty.



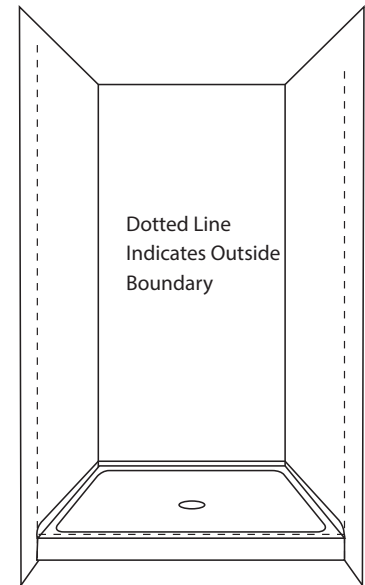
## LAYOUT PROCEDURE / Alcove Configuration

### ACRYLIC TRAY APPLICATION

- Frame to precisely fit the specific tray you are using.
- Mark out the outside boundary line at 15mm in from the outside of the tray. Plumb up the walls.

### PROFINISH™ TILE TRAY WITH HOB APPLICATION

- Standard Raymor Pivot Alcove “ProFinish™ Tray” sizes detailed in the table below.
- The table below provides the finished measurement of the framed and lined Alcove with GIB Aqualine® 10mm or similar wall board.
- Mark the outside boundary line at the centre position on the hob of the installed and tiled ProFinish™ Tray.



ProFinish™ Tray	ProFinish™ Tray Sizes
900 Tray	885mm (W) x 900mm (D)
1000 Tray	985mm (W) x 1000mm (D)
1200 Tray	1185mm (W) x 900mm (D)

### OTHER APPLICATIONS

This table is for shower installations outside of the package installation being outlined.

#### MINIMUM TO MAXIMUM GUIDE

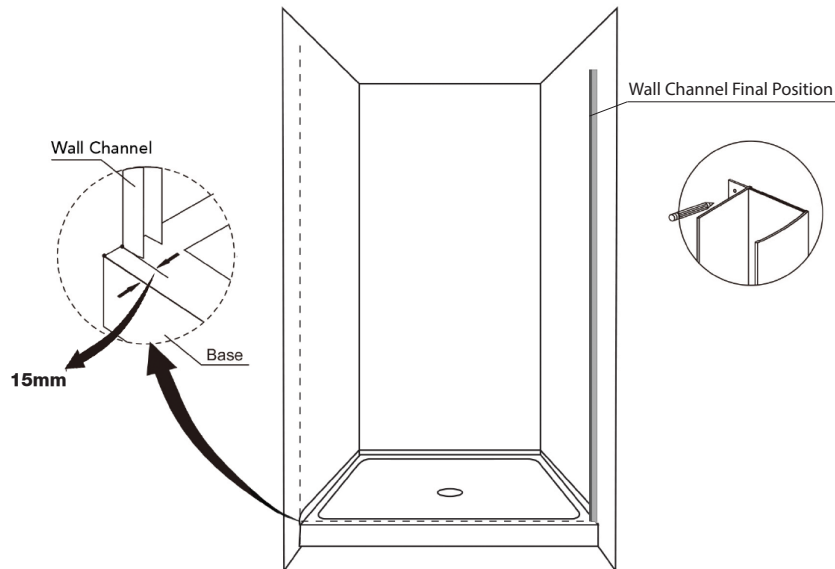
Shower Door	Minimum	Maximum
900mm x 900mm	842mm	882mm
1000mm x 1000mm	942mm	982mm
1200mm x 900mm	1142mm	1182mm

# INSTALLATION STEPS / Alcove Configuration

## STEP 1

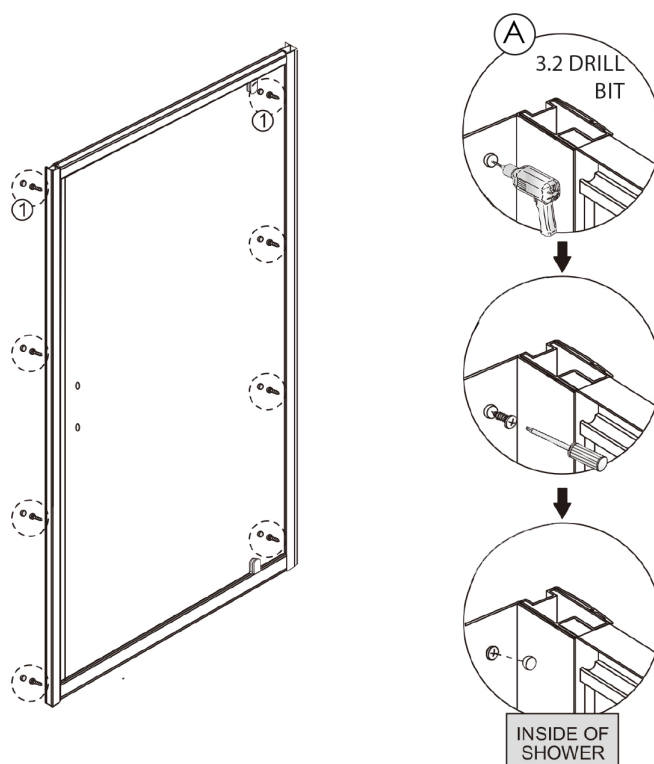
1. Mark out the Wall Channels up the wall as indicated to establish the outside boundary line.

Tiling Note: Some authorities do not allow the waterproof layer to be penetrated. Use Bostik V60 to fix Wall Channels and allow to cure as per manufacturers instructions.



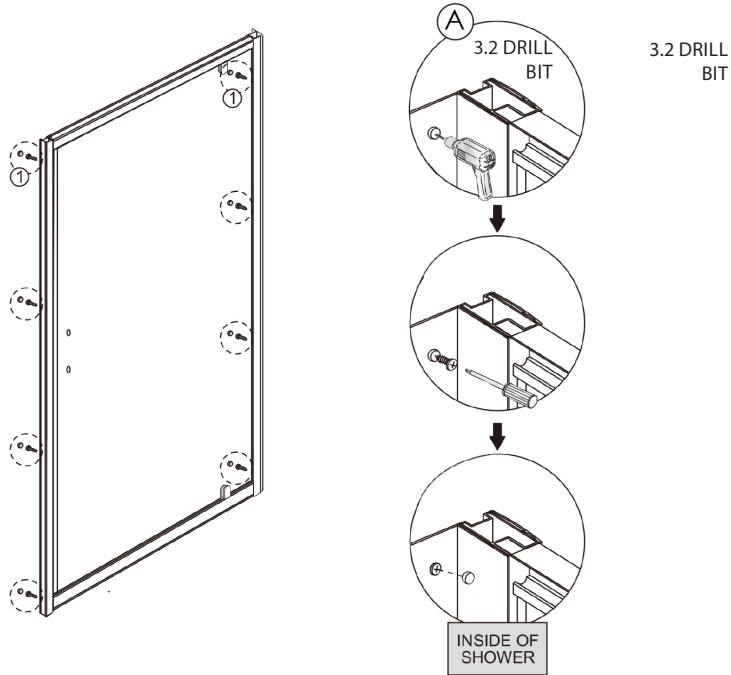
## STEP 2

1. Slide the Wall Channels onto each side of the door assembly.
2. Install the door assembly complete with Wall Channels into position.
3. Apply silicone to the back of the Wall Channels and fasten at the boundary line.
4. Even out the door frame within each wall channel.
5. Square up the door frame, door and ensure the magnetic door catch is in line.



STEP 3

Drill and fasten as detail (A)



STEP 4

1. Fasten the handle in place (A1).
2. Apply silicone to the outer boundaries as indicated by dotted line (A2).

Note: Sealing on the inside of the shower will void the warranty.

