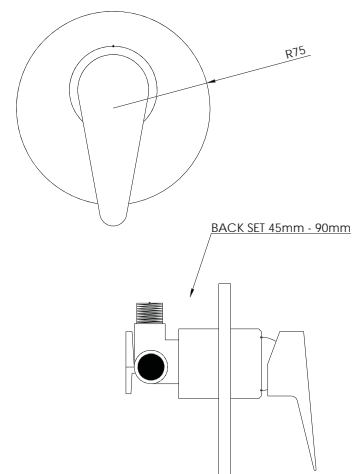




BATHROOMWARE  
FOR REAL KIWIS  
**Raymor**

## BRIGHTON TAPWARE

The Raymor Brighton range takes traditional tapware and has redefined it. Focusing on quality, function and smooth traditional curves, it has been designed to complement the existing Raymor tapware ranges. Brighton is assembled and tested in New Zealand. Available in basin, bath, sink and shower tapware, matched with a European cartridge.



### FEATURES

- 155mm face plate
- Fitted with two isolator valves
- Suitable for all pressures, min 35kPa
- 40mm European cartridge