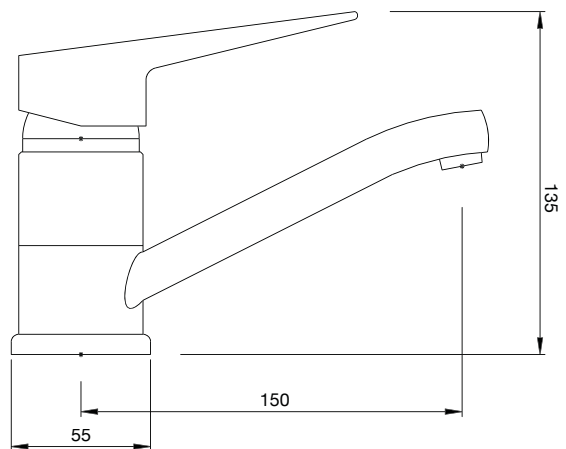




BATHROOMWARE
FOR REAL KIWIS
Raymor

BRIGHTON TAPWARE

The Raymor Brighton range takes traditional tapware and has redefined it. Focusing on quality, function and smooth traditional curves, it has been designed to complement the existing Raymor tapware ranges. Brighton is assembled and tested in New Zealand. Available in basin, bath, sink and shower tapware, matched with a European cartridge.



FEATURES

- Solid brass construction, wide bore hot hose
- Spout reach 140mm
- Suitable for all pressures, min 35kPa
- 40mm European cartridge
- WELS 4★ 7.5 lpm (mains)
- WELS 3★ 9.1 lpm (low)