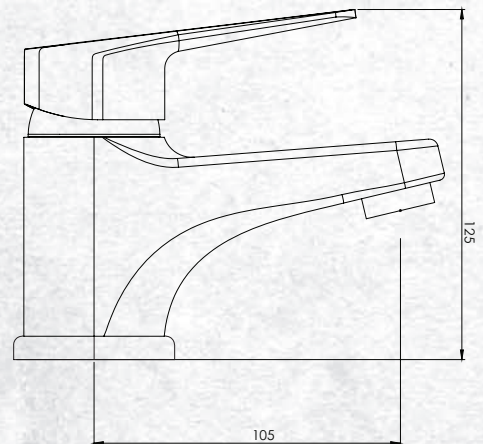


BRIGHTON TAPWARE

The Raymor Brighton range takes traditional tapware and has redefined it. Focusing on quality, function and smooth traditional curves, it has been designed to complement the existing Raymor tapware ranges. Brighton is assembled and tested in New Zealand. Available in basin, bath, sink and shower tapware, matched with a European cartridge.

BASIN MIXER
(7)676396



FEATURES

- Solid brass body & handle, wide bore hot hose
- Spout reach 113mm to centre of outlet
- Suitable for all pressures, min 35kPa
- 40mm European cartridge
- WELS 4 ★ 7.5 lpm (mains)
- WELS 3 ★ 9 lpm (low)