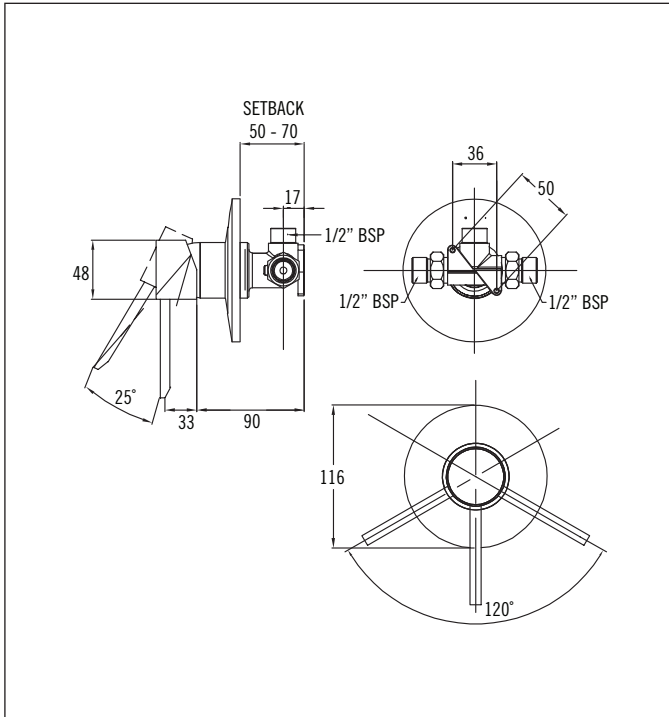


## Shower Mixer - Standard Faceplate



Code: X1 SHM  
 Finish: Chrome  
 Faceplate Diameter: 115mm  
 Barrel Diameter: 46mm  
 Backset: (Mounting board to front of lining)  
     Minimum: 40mm  
     Maximum: 70mm  
 Installation Hole Diameter: Minimum: 47mm  
     Maximum: 105mm  
 Cartridge: Mondo 40KH Flat base, high flow

**Handy Tip:** Includes isolator flow controls on hot and cold inlets

### Suitable for equal and unequal pressure systems

Recommended Pressure  
 Operational Range:  
 Minimum: 35 kPa  
 Recommended: 600 kPa  
 Never to Exceed: 1000 kPa  
 Maximum Operating Temperature: 70°C

### Aquatika Warranty

Aquatika NZ Limited offer, from the date of purchase, a 2 year warranty on handshowers, a 5 year warranty on tapware and accessories and a lifetime warranty on stainless steel sinks.

Aquatika NZ Limited warrants that only high quality workmanship and materials have been employed in the manufacture of its tapware, accessories and stainless steel products. If any faulty workmanship or materials is proven during the warranty period, Aquatika NZ Limited will at its own cost repair, or at its option replace, the faulty product.

The guarantee is non-transferable and proof of purchase is required.

The use of spray or abrasive cleaners of any kind will void the warranty. (Tapware should only be cleaned with a mild detergent and a soft damp cloth).

Failure to use an in-line strainer or filter on lines to tapware incorporating a ceramic cartridge or ceramic disc mechanism may also void the warranty.

Every effort has been made to show the products as they will be sold, however, all models and specifications are subject to change without notice.

### Aquatika NZ Limited

9 Saunders Place,  
 Avondale, Auckland.  
 Tel: 09-828 2068,  
 Fax: 09-828 2069  
 Email: info@aquatika.co.nz  
 or visit our website:  
 www.aquatika.co.nz