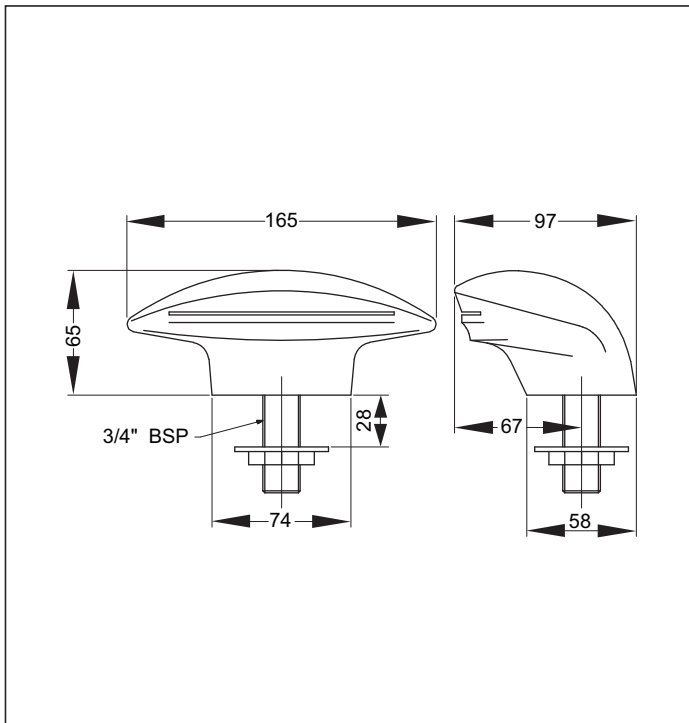


Aquatica

Waterfall Bath Spout Hob Mounted



Code: BS WATERFALLHOB

Finish: Chrome

Water Inlet: 3/4" BSP Female

Water Outlet: Waterfall opening

Installation Hole Diameter:

Minimum: 27mm

Maximum: 45mm

Mounting Hardware: Nut: 32mm A/F

Spigot mounting

Note: Includes 70mm length of threaded 3/4" BSP tube and nut



KIWI OWNED COMPANY

NZ • DESIGNED
• ASSEMBLED
• TESTED

Aquatica NZ Limited

9 Saunders Place,
Avondale, Auckland.

Tel: 09-828 2068,

Fax: 09-828 2069

Email: info@aquatica.co.nz

or visit our website:

www.aquatica.co.nz

© copyright Aquatica 2019

Suitable for all pressures

Bath spouts are generally suitable for all pressures

No WELS rating required