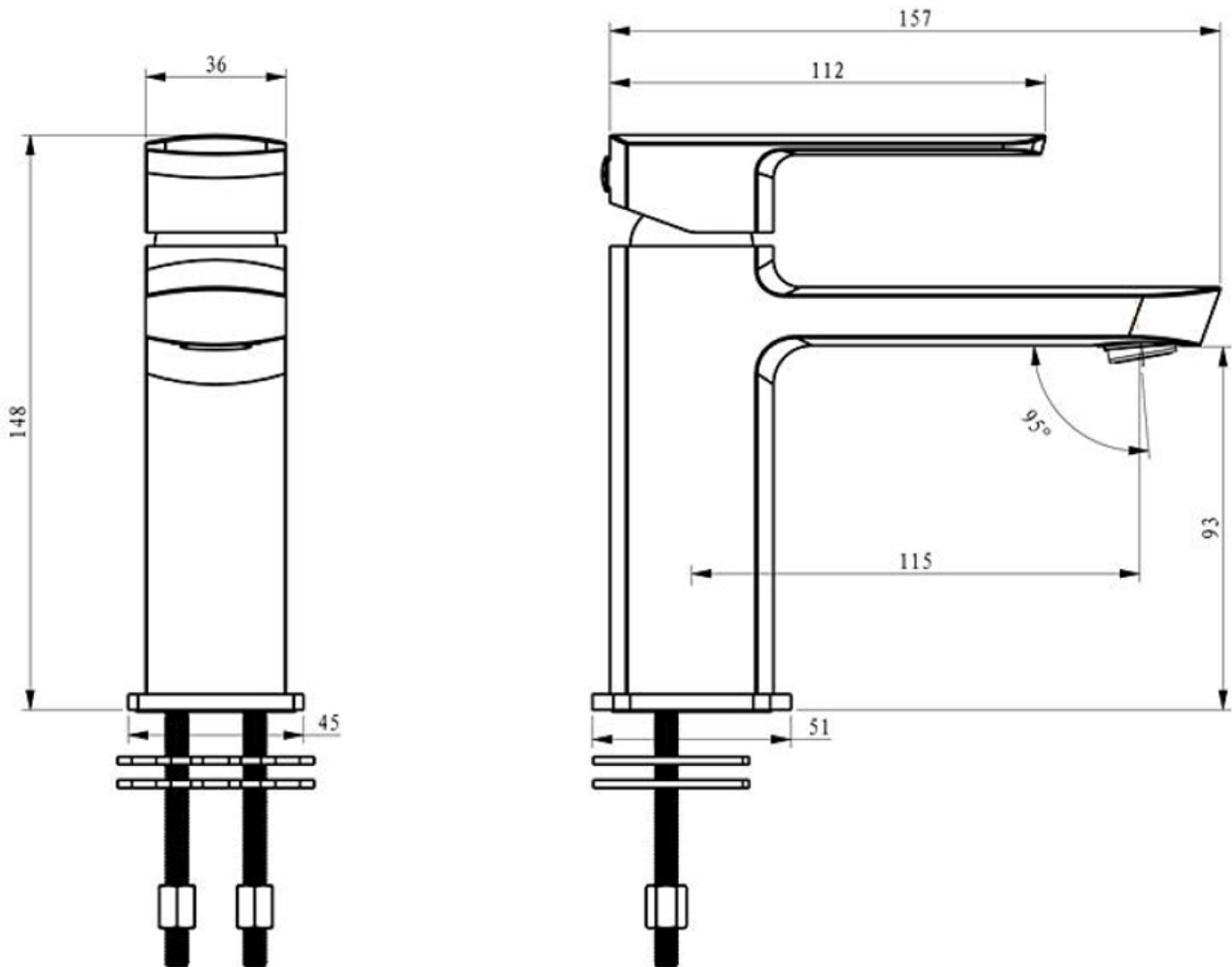


ION BASIN MIXER - BRUSHED NICKEL

44251.04

\$485

ELEMENTi



Residential/Light Commercial Use

Suitable for Residential/Light Commercial Use (Kitchens, Bathrooms and Laundries in Hotels, Motels and Retirement Villages).

5

Guarantee

5 Year Guarantee on coloured finish

10

Guarantee

10 Year Guarantee



4 Star WELS rating

More than 6.0 but not more than 7.5 litres per minute. Mains Pressure



5 Star WELS rating

More than 4.5 but not more than 6 litres per minute. Low/Unequal pressure



Mains Pressure

Suitable for Mains Pressure.





Multi Pressure

Suitable for Multi Pressure.



Flawless Finish

Advanced plating provides a durable surface with a long lasting finish



Effortless Control

Advanced cartridge technology provides a wide operating angle and smooth operation



Smooth Flow

Aerator reduces scaling while delivering a smooth even flow



Indicators

Includes standard and coloured indicators.



Chrome Plate

A base of copper is first applied followed by a layer of nickel and then finally a hard gloss coating of chromium to achieve a shiny hard wearing finish.



Electroplated: Gun Metal

Electrical current is used to dissolve components into Lacquer that then adhere to the surface.



Electroplated: Black

Electrical current is used to dissolve components into Lacquer that then adhere to the surface.



Electroplated: Brushed Nickel

Electrical current is used to dissolve components into Lacquer that then adhere to the surface.

With flat profiling of the lever and spout combined with sleek lines and stylishly good looks, the new ION tapware collection from Elementi is a superior product in both looks (available in 4 finishes) and performance.