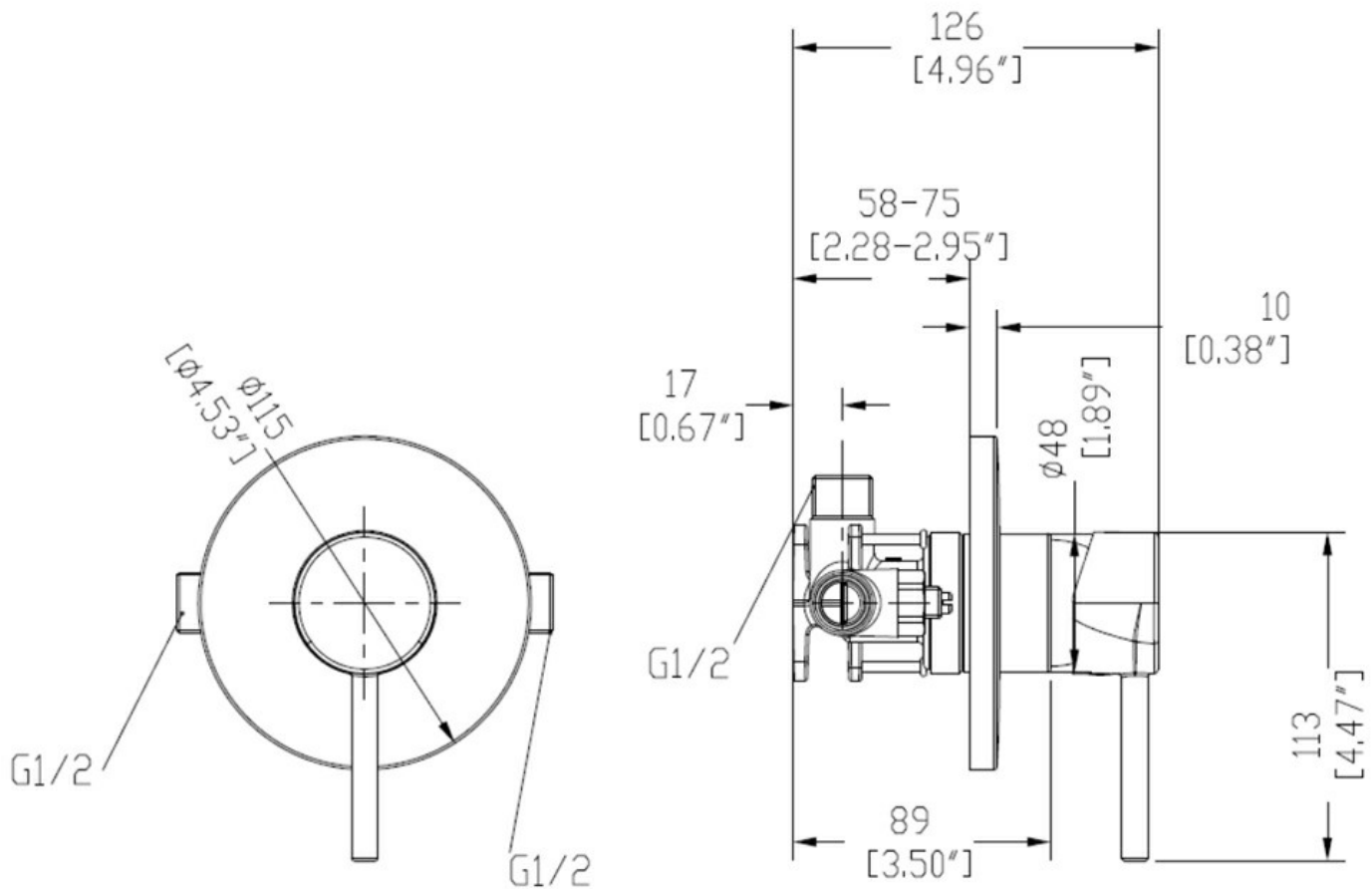


UNO SHOWER MIXER - CHROME

42970.02
\$349

ELEMENTi



Residential/Light Commercial

Suitable for Residential/Light Commercial Use (Kitchens, Bathrooms and Laundries in Motels, Hotels and Retirement Villages)

10

Guarantee

10 Year Guarantee

5

Guarantee

5 Year Guarantee on coloured finish



Mains Pressure

Suitable for Mains Pressure.



Multi Pressure

Suitable for Multi Pressure.



Flawless Finish

Advanced plating provides a durable surface with a long lasting finish





Effortless Control

Advanced cartridge technology provides a wide operating angle and smooth operation



Indicators

Includes standard and coloured indicators.



Chrome Plate

A base of copper is first applied followed by a layer of nickel and then finally a hard gloss coating of chromium to achieve a shiny hard wearing finish.



**Blackened Oil
Bronze: Black**

Parts are firstly nickel plated then blackened oxidation process to apply the base colour. and a transparent liquid polymer is applied achieve a mat finish and hardened surface.



**Electroplated: Gun
Metal**

Electrical current is used to dissolve components into Lacquer that then adhere to the surface.



**Electroplated with
PVD: Brushed Nickel**

Electrical current is used to dissolve components into Lacquer that then adhere to the surface. A thin metal-spray coating in the form of very thin layers is finally applied using PVD process.



**Electroplated with
PVD: Brushed Brass**

Electrical current is used to dissolve components into Lacquer that then adhere to the surface. A thin metal-spray coating in the form of very thin layers is finally applied using PVD process.

The Uno collection offers a glamorous look without being too ostentatious. After years of chrome dominating as the must-have metal, there has been a move away from the high shine, perfect finish of Chrome towards finishes like Brushed Nickel, Gun Metal, Black and Brushed Brass.