

# Promix Single Lever Sink and Basin Mixer

with adjustable cartridge for flow and temperature

METHVEN

## Important – Please read all of the instructions before installation

The Sink Mixer is designed for All Pressure systems.

The Basin Mixer is designed for Mains Pressure systems only.

Recommended water supply temperature range is 5 to 65°C, maximum 80°C. These mixers are not recommended for use in uncontrolled heating systems such as wetbacks or solar heater units unless a NEFA tempering valve is fitted. AS/NZS 3500 requires all hot water supplies to any sanitary fittings to be tempered to 55°C for NZ, and 50°C for Australia.

ALL PIPEWORK MUST BE THOROUGHLY FLUSHED PRIOR TO INSTALLATION OF THE MIXER. AN INLINE FILTER MUST BE FITTED TO PREVENT FOREIGN PARTICLES DAMAGING THE CERAMIC CARTRIDGE.

## Technical specifications

Operating Pressure: Min: 35kPa, Max 1000kPa.

Recommended 150 – 500kPa. Install a NEFA pressure limiting valve if supply pressure exceeds 1000kPa.

Inlet Connections: All ½" BSP

## Installation Instructions Sink Mixer

A 35mm diameter hole is required in the bench top. The bench top cannot exceed 40mm thick.

Screw the mounting studs into the bottom of the sink mixer.

Connect the flexible inlet hoses to the mixer body. The hot hose is marked with red stainless braiding.

Fit the base ring and O ring to the base of the sink mixer.

Place the hoses through the bench.

Fit the mounting gasket, the mounting plate and tighten the mounting nuts.

Two rubber washers are provided for the flexible hose connections to the nipples. Machined nipple ends are required to ensure a seal to the flexible hose nuts

## Installation Instructions Basin Mixer

A 35mm diameter hole is required in the bench top. The bench top cannot exceed 40mm thick.

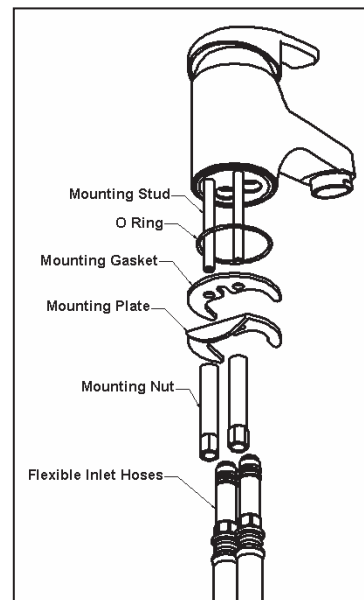
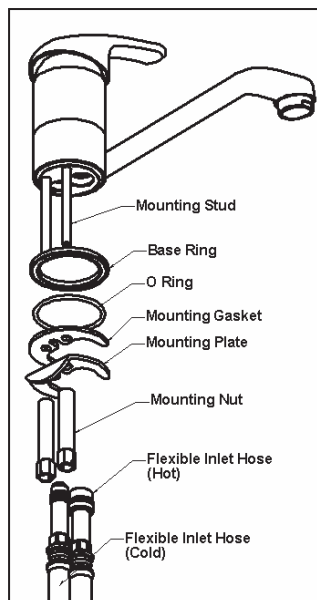
Screw the mounting studs into the bottom of the basin mixer.

Connect the flexible inlet hoses to the mixer body. Fit the O ring to the base of the basin.

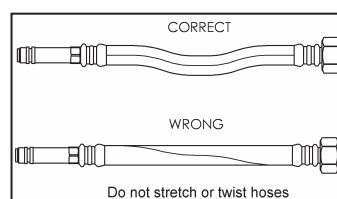
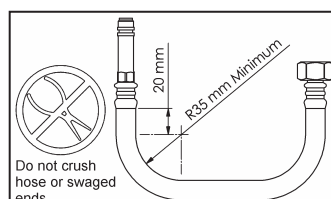
Place the hoses through the bench.

Fit the mounting gasket, the mounting plate and tighten the mounting nuts.

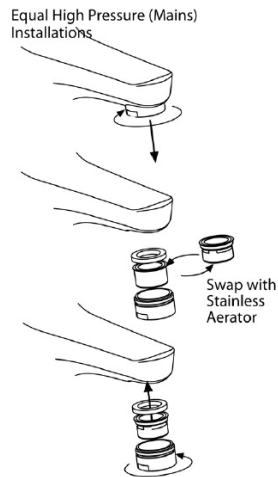
Two rubber washers are provided for the flexible hose connections to the nipples. Machined nipple ends are required to ensure a seal to the flexible hose nuts



## Hose Requirements



## Aerator Installations



## Ceramic Cartridge Adjustment

Do not remove the ceramic cartridge from the mixer while carrying out the following adjustments.  
NOTE: The cartridge is fitted to supply maximum hot supply.

### Flow Adjustment

Remove the indicator for the lever handle by carefully popping out with a small flat screw driver.

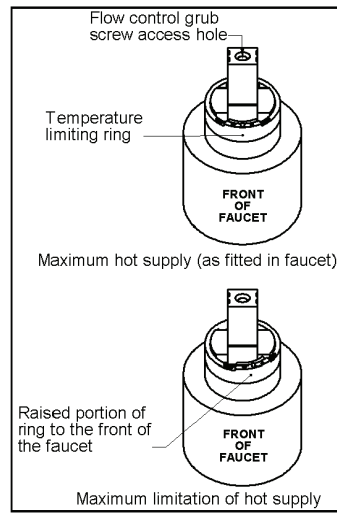
Using a 2.5mm hex key, loosen the grub screw through the indicator hole in the handle.

Pull the handle off the mixer.

Insert a 1.5mm hex key into the hole in the top of the cartridge lever. Engage the grub screw at the bottom of the hole.

Turn the key clockwise to reduce the maximum flow setting or anticlockwise to increase the maximum flow setting.

Reverse instructions to re-assemble.



### Temperature Adjustment

Remove the indicator for the lever handle by carefully popping out with a small flat screw driver.

Using a 2.5mm hex key, loosen the grub screw through the indicator hole in the handle.

Pull the handle off the mixer.

With a small screw driver carefully pry the red Temperature limiting ring from its locator.

Turn the Temperature limiting ring clockwise (+) to increase maximum hot temperature, anti-clockwise (-) to reduce the maximum hot temperature.

Replace the adjustment ring in the locator and push firmly to secure. The raised portion of the ring with the +/- markings should be to the front of the faucet.

Reverse instructions to re-assemble.

## Warranty

Methven warrants this product against manufacturing defects and that it is suitable for use under operating conditions specified in this instruction sheet.

For your warranty, please refer to [www.methven.com](http://www.methven.com) or call Customer Service

New Zealand 0800 804 222	Australia 1300 638 483	USA 800 975 5409	UK 0800 195 1602
-----------------------------	---------------------------	---------------------	---------------------