

Shower Mixer with Diverter

Installation Guide

Technical Specifications:

Operating Pressure:

Min: 150kPa/1.5bar

Max: 500kPa/5bar*

Operating Temperature:

Hot: Max 80°C*

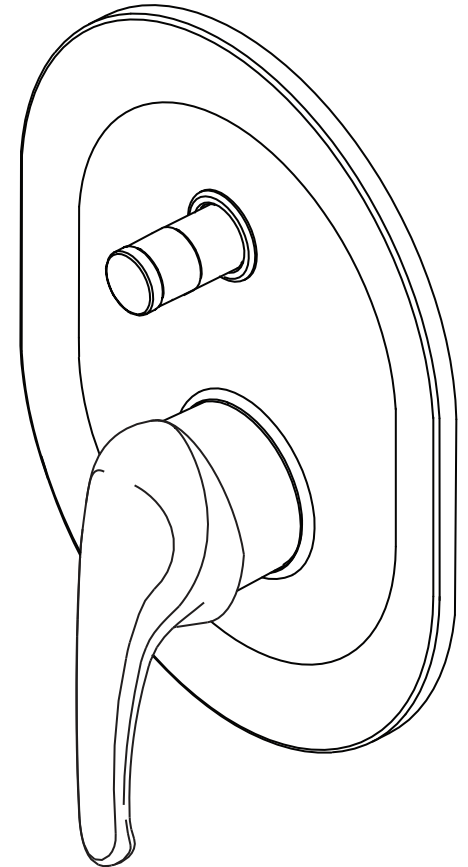
Cold: Min 5°C

Inlet Connections:

All 1/2" BSP

USE PARALLEL FITTINGS ONLY

** Regional specific regulations apply.
Please refer to your warranty statement
at www.methven.com*



Care and Cleaning:

Never use abrasives or abrasive cleaning agents to clean this product. Clean regularly with contamination free warm soapy water and a damp soft cloth.

Methven warrants this product against manufacturing defects and that it is suitable for use under the general operating conditions specified in this instruction sheet. However, regional regulations apply and may affect your warranty. Please refer to www.methven.com or call customer service for full details.

New Zealand
0800 804 222

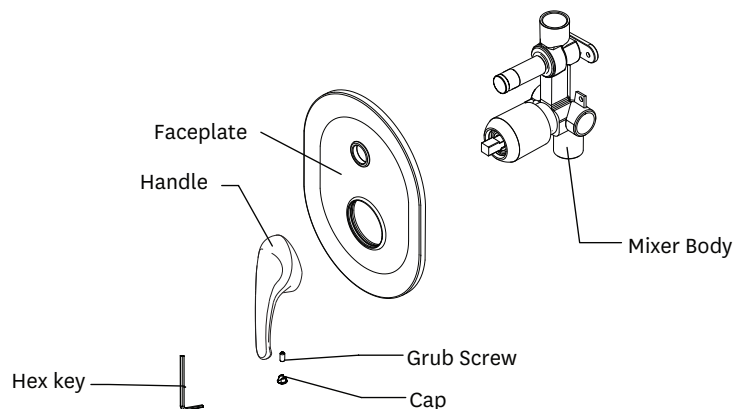
Australia
1300 638 483

UK
0800 195 1602

IMPORTANT: Please read all of the instructions before installation.

General:

- Methven recommends this product is installed by a licensed plumber in compliance with all relevant regional regulations.
- Do not hydrostatic test the installation with this mixer installed. Damage to the ceramic cartridge may occur.
- All pipe work must be thoroughly flushed prior to the installation of the mixer.
- In-line filters must be fitted on both hot and cold supplies to prevent foreign particles damaging the ceramic cartridge.
- Do not remove the ceramic cartridge from the mixer when installing.
- After installation all connections must be checked for leaks.
- All outlets used primarily for personal hygiene shall deliver water at a safe temperature as per regional regulations.
- This mixer is not recommended for use in uncontrolled heating systems such as wet-backs or solar heating units unless a suitable tempering valve is fitted.
- It is the responsibility of the installer to ensure a waterproof seal is achieved between the product and mounting surface. If in doubt about the quality of the seal, remove the product and reinstall using silicone to ensure a seal is achieved.
- The default position of the diverter is to direct water to the upper outlet.

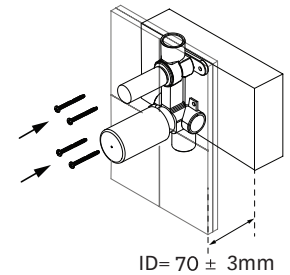


IMPORTANT: Before you begin, turn off the water supply.

Installation:

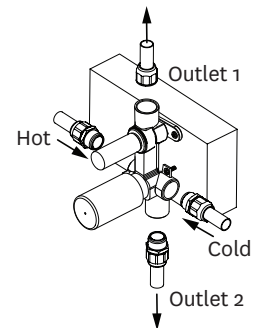
Step 1

- Installation depth, **ID = 70 ± 3 mm**. This is defined as the distance between the mounting surface and the finished wall surface.
- Secure the mixer body on to the supporting timber ensuring that it is oriented square and vertical.



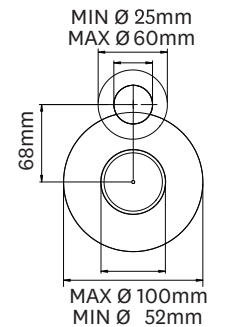
Step 2

- Flush all pipe-work thoroughly prior to the next step.
- Connect mixer body to hot and cold supplies and outlets ensuring a good seal at each joint.
- Leak test installation prior to closing wall cavity.



Step 3

- Wall lining should be cut or finished to observe the dimensions of the holes provided in the diagram on the right.



Step 4

- Wet the faceplate body and diverter seals.
- Apply silicone to the faceplate to create a seal with the finished wall surface. Ensure that the silicone does not block the notch in the faceplate.
- Slide faceplate onto mixer body and position with notch towards the bottom.
- Push handle on to cartridge lever, tighten grub screw firmly with hex key provided and cap the grub screw hole with the indicator button.

