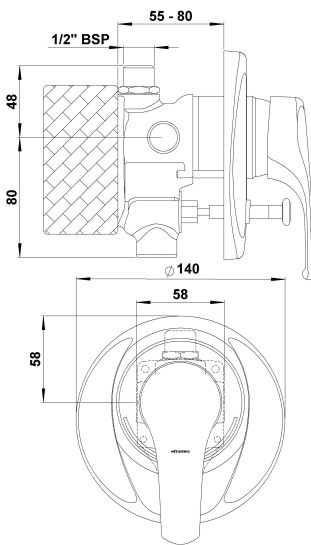


FUTURA SHOWER MIXER WITH DIVERTER



CONSTRUCTION: Brass body

CARTRIDGE TYPE: Ceramic (SP033510)

CLASSIFICATION: Suitable for **mains pressure** only

INLET CONNECTIONS: 1/2" BSP Male

WORKING PRESSURE: 150 - 500kPa

DIMENSIONS FOR FITTING:

OPERATING TEMPERATURE: 5 °C - 80 °C

- Large 140mm diameter metal faceplate
- Concealed screws to positively fasten faceplate
- Positive seal between the faceplate and the body
- Clear but discreet hot and cold indication
- Non-return shower outlet
- Flow restrictor for shower flow
- Pressure operated spring return diverter
- Diverter defaults to spout
- NEW handle design

FTSHDCP2

Chrome

<http://www.methven.com/nz/futura-shower-mixer-with-diverter>