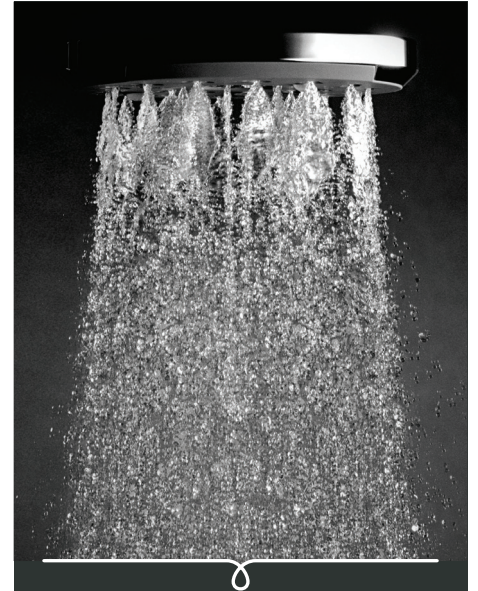
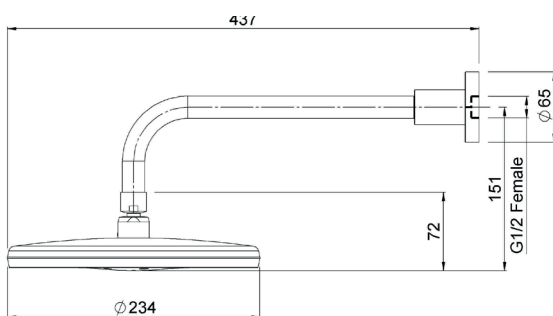


Satinjet® OVERHEAD II ON WALL ARM



Satinjet®. The unmistakable feeling of 300,000 droplets per second.

Unlike conventional showers, Satinjet uses unique twin-jet technology to create optimum water droplet size and pressure, with over 300,000 droplets per second providing greater warmth and coverage. The result is an immersive, full-body experience.



CONSTRUCTION: 320mm wall mounted arm
CLASSIFICATION: Suitable for **all pressure** systems
WORKING PRESSURE: 35 - 500kPa
DIMENSIONS FOR FITTING: 65mm diameter inlet
OPERATING TEMPERATURE: 5 °C - 70 °C

- Features award-winning Satinjet® technology
- 216mm diameter shower rose
- Easy to clean faceplate
- 3 star WELS rated on mains pressure (7.5 l/m)
- 2 star WELS rated on low pressure (11.5 l/m)

OSRO23oWACPGR

Graphite faceplate

<http://www.methven.com/nz/showering/overhead-showers/kiri-satinjet-overhead-drencher-wall-arm-mount>